



US00D823679S

(12) **United States Design Patent** (10) **Patent No.:** **US D823,679 S**
Yang et al. (45) **Date of Patent:** **** Jul. 24, 2018**

(54) **PACKAGE**
(71) Applicant: **3M INNOVATIVE PROPERTIES COMPANY**, St. Paul, MN (US)
(72) Inventors: **Yinghua Yang**, Shanghai (CN); **Ran Tao**, Shanghai (CN)
(73) Assignee: **3M INNOVATIVE PROPERTIES COMPANY**, St. Paul, MN (US)

D482,275 S * 11/2003 Kilduff D9/415
D525,864 S * 8/2006 Hiolin D9/415
D531,021 S * 10/2006 Ashby D9/415
D535,554 S * 1/2007 Kent D9/415
D589,292 S * 3/2009 Thurlow D7/312
D598,280 S * 8/2009 Britt D9/415
D616,296 S * 5/2010 Britt D9/415
D623,538 S * 9/2010 Kesselman D9/711
D623,948 S * 9/2010 Levy D9/415
D691,492 S * 10/2013 Rathbone D9/711
D693,961 S * 11/2013 Fish D27/100

(Continued)

(**) Term: **15 Years**

FOREIGN PATENT DOCUMENTS

(21) Appl. No.: **29/572,729**

CN 201049797 4/2008
CN 301935345 5/2012

(22) Filed: **Jul. 29, 2016**

(Continued)

(51) **LOC (11) Cl.** **09-03**

(52) **U.S. Cl.**

USPC **D9/415**; D7/312; D7/524

(58) **Field of Classification Search**

USPC D9/414-415, 418, 420-422, 424-426,
D9/431-433, 470, 658, 686-699,
D9/702-722, 740, 752, 756; D7/301,
D7/312, 321, 524; D20/22-24, 29, 30,
D20/37, 40

CPC B65D 75/30; B65D 31/02; B65D 75/366;
B65D 75/3051; B65D 75/305; B65D
75/36; B65D 75/5833; B65D 75/5844;
B65D 25/54; B65D 5/4204; B65D 17/12;
B65D 43/161; B65D 77/042

See application file for complete search history.

Primary Examiner — Barbara Fox

Assistant Examiner — Mehri F Bajoul

(74) *Attorney, Agent, or Firm* — Irina Hass

(57)

CLAIM

The ornamental design for a package, as shown and described.

DESCRIPTION

FIG. 1 is a perspective view showing the new design for a package;

FIG. 2 is a front view thereof;

FIG. 3 is a rear view thereof;

FIG. 4 is a left side view thereof, a right side view being a mirror image thereof;

FIG. 5 is a top view thereof, a bottom view being a mirror image thereof; and,

FIG. 6 is a front view thereof.

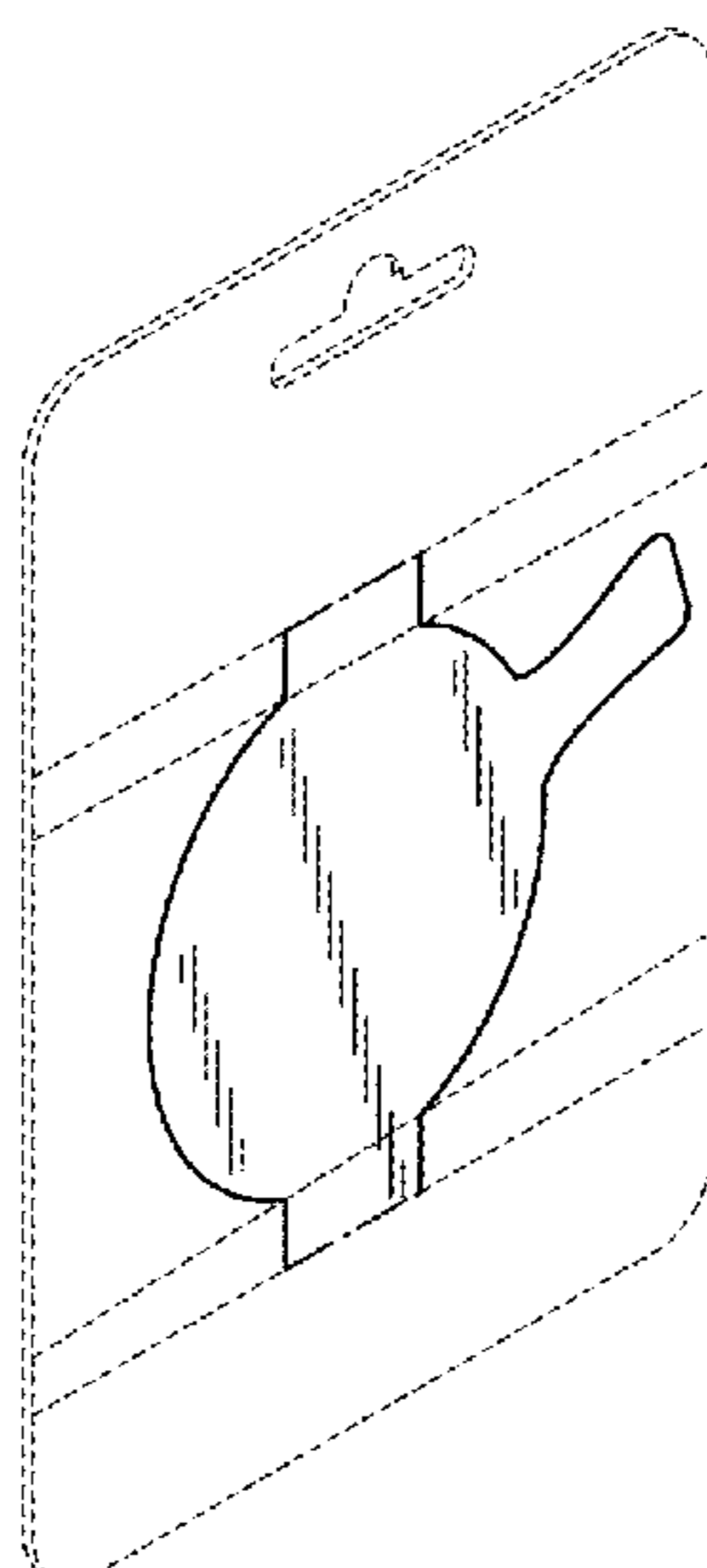
The portions of the package in FIGS. 1-6 shown in broken lines are included to show features that form no part of the claimed design. In the drawings, the dash-dot-dash lines represent boundaries of the claim.

(56) **References Cited**

U.S. PATENT DOCUMENTS

D368,428 S * 4/1996 Croft D9/707
D371,714 S * 7/1996 Lewis D7/316
5,549,944 A * 8/1996 Abate B65D 31/02
206/524.8
D427,005 S * 6/2000 Yee D7/312
D438,461 S * 3/2001 Yamagishi D9/415
D439,513 S * 3/2001 Teasdale D9/415

1 Claim, 2 Drawing Sheets



(56)

References Cited

U.S. PATENT DOCUMENTS

D697,312 S * 1/2014 Yao D4/122
D712,735 S * 9/2014 McCracken D9/430
D716,647 S * 11/2014 Mizuno D9/415
D721,135 S * 1/2015 Harvey Pennaz D20/22
D732,670 S * 6/2015 Dwyer D24/162
D736,613 S * 8/2015 Bowman B65D 73/0064
D9/415
D757,534 S * 5/2016 Matsuura D9/415
D763,675 S * 8/2016 McDonald D9/415
D784,803 S * 4/2017 Cataudella D9/415
2007/0224312 A1* 9/2007 Aldridge B65D 75/30
426/5

FOREIGN PATENT DOCUMENTS

CN 203341613 12/2013
CN 302894175 7/2014
CN 302894178 7/2014
CN 303157681 4/2015
CN 204654853 9/2015
CN 303464560 11/2015
TW 340018 9/1998
TW D114649 12/2006

* cited by examiner

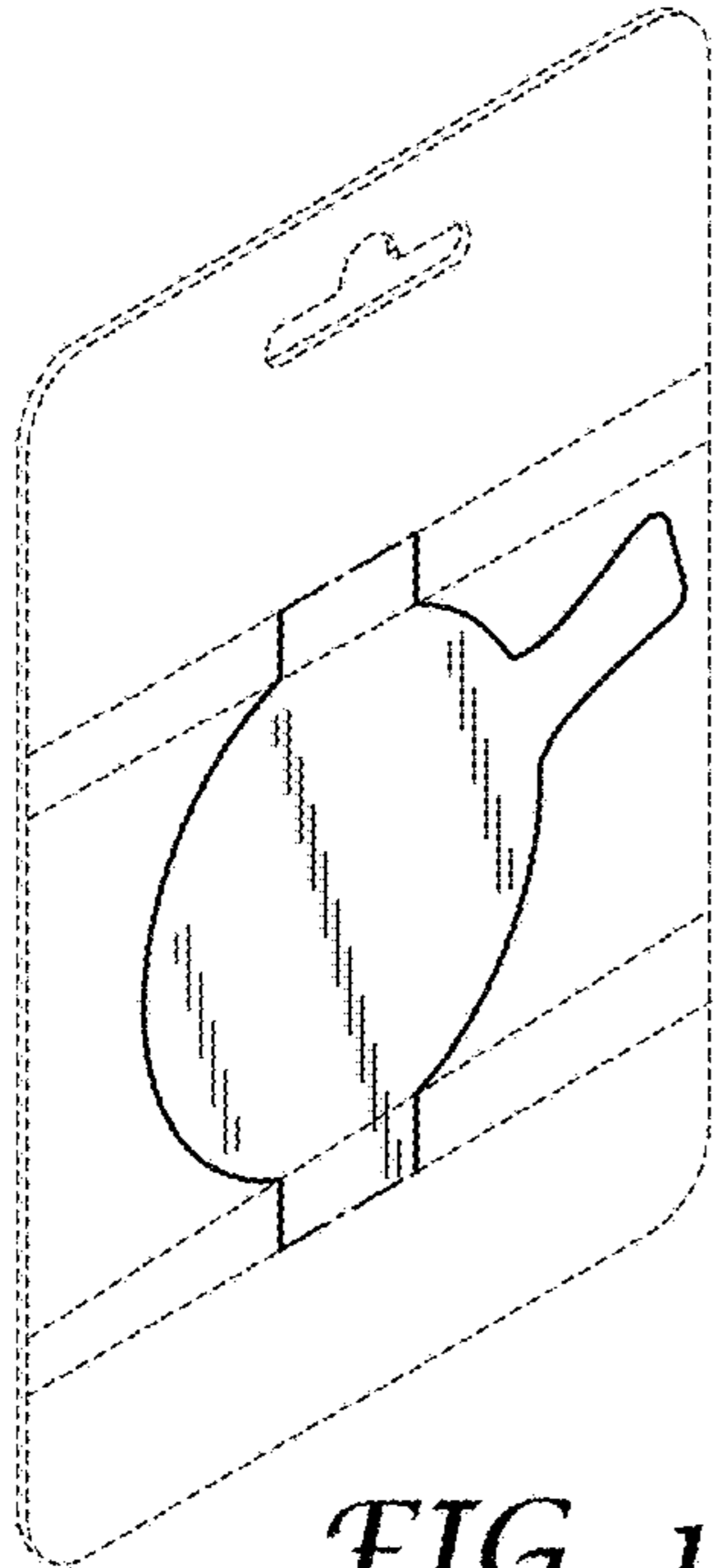


FIG. 1

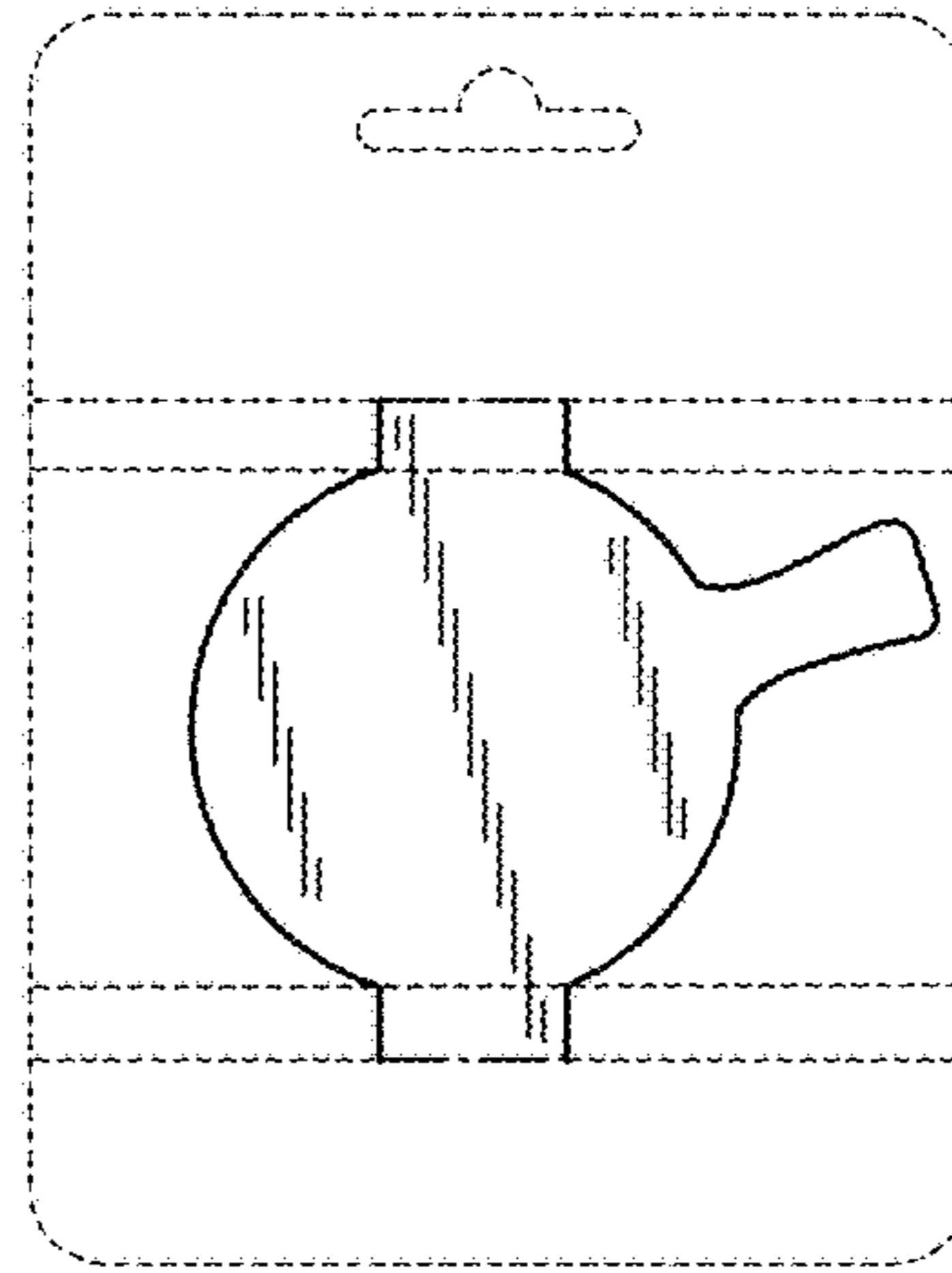


FIG. 2

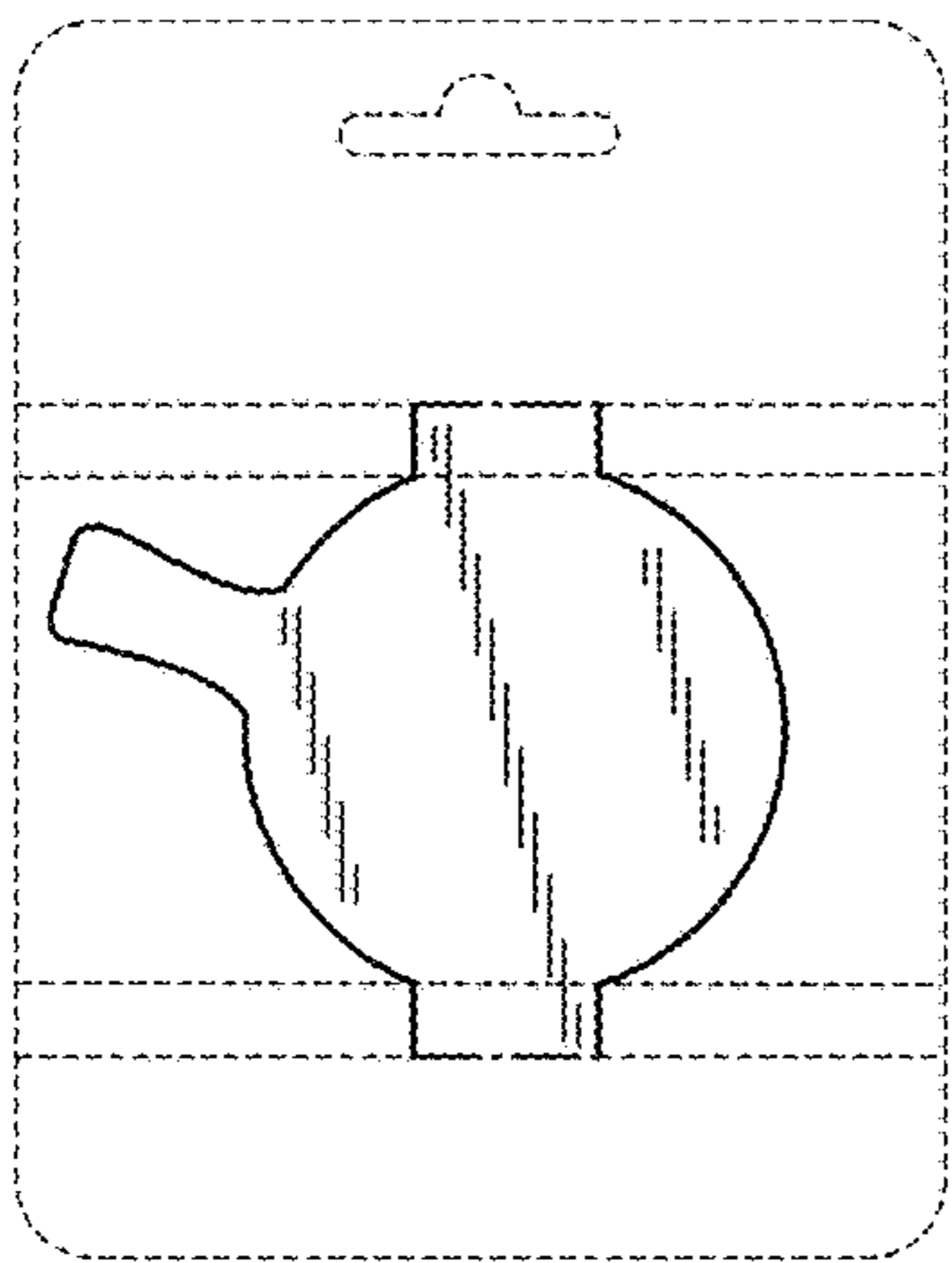


FIG. 3

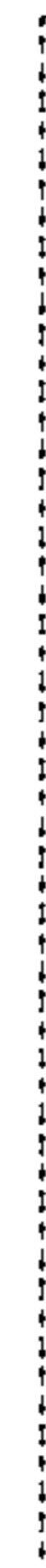


FIG. 4

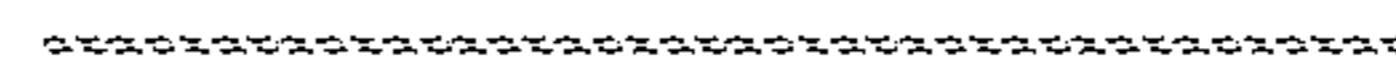


FIG. 5

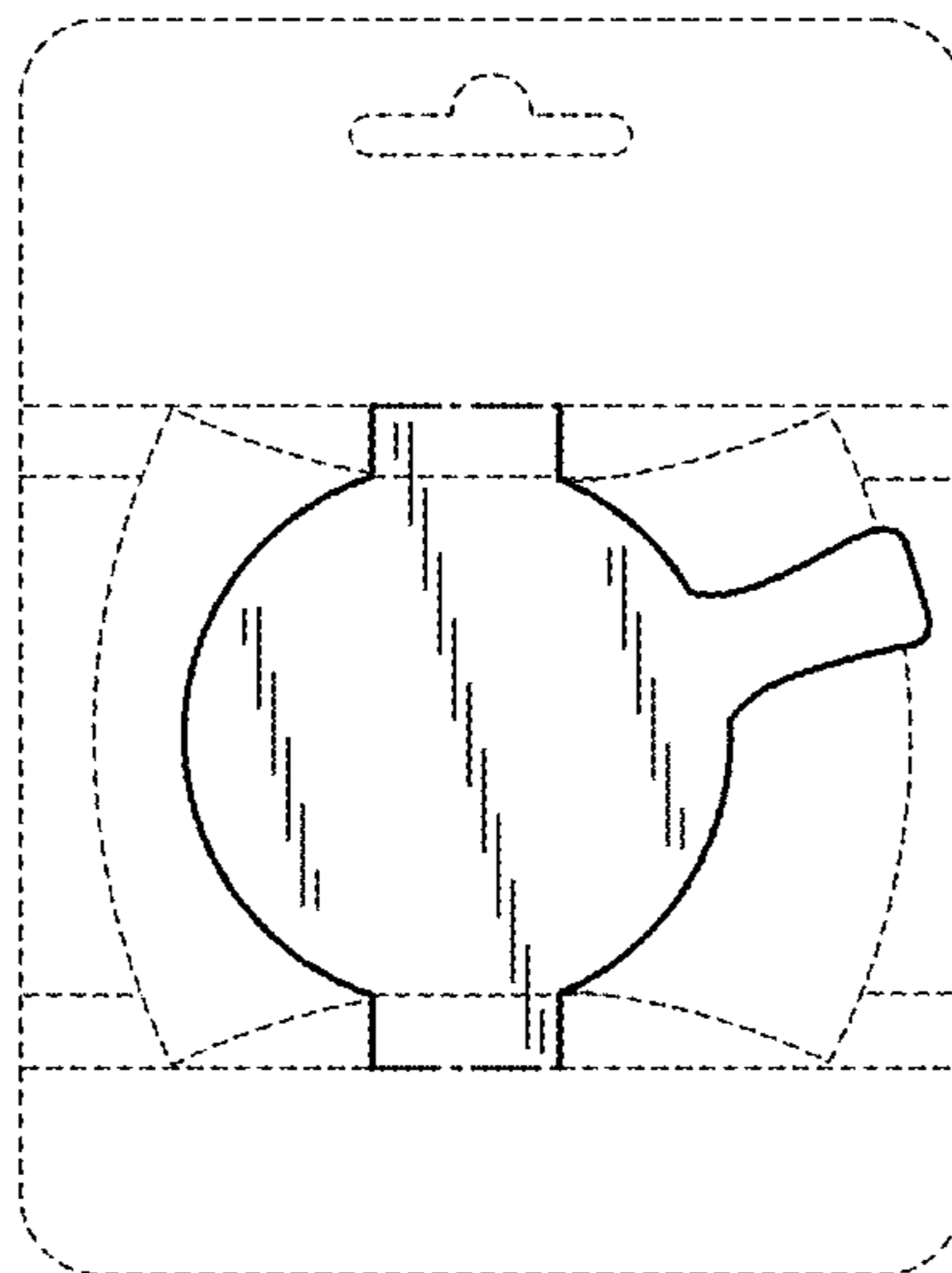


FIG. 6