



US00D823678S

(12) **United States Design Patent** (10) **Patent No.:** **US D823,678 S**
Yang et al. (45) **Date of Patent:** **** *Jul. 24, 2018**

(54) **PACKAGE** 5,549,944 A * 8/1996 Abate B65D 31/02
206/524.8
(71) Applicant: **3M INNOVATIVE PROPERTIES** D380,336 S * 7/1997 Zive D7/312
COMPANY, St. Paul, MN (US) D418,015 S * 12/1999 Santini D7/513
D418,370 S * 1/2000 Wilson D7/524
(72) Inventors: **Yinghua Yang, Shanghai (CN); Ran** D427,005 S * 6/2000 Yee D7/312
Tao, Shanghai (CN) D438,461 S * 3/2001 Yamagishi D9/415
D439,513 S * 3/2001 Teasdale D9/415
(73) Assignee: **3M INNOVATIVE PROPERTIES** D482,275 S * 11/2003 Kilduff D9/415
COMPANY, St. Paul, MN (US) D495,193 S * 8/2004 Moore D7/312
D500,951 S * 1/2005 Tobolka D9/710
D525,864 S * 8/2006 Hiolin D9/415

(Continued)

(*) Notice: This patent is subject to a terminal disclaimer.

FOREIGN PATENT DOCUMENTS

(**) Term: **15 Years** CN 201049797 4/2008
CN 301935345 5/2012

(Continued)

(21) Appl. No.: **29/572,703**

Primary Examiner — Barbara Fox

(22) Filed: **Jul. 29, 2016**

Assistant Examiner — Mehri F Bajoul

(51) **LOC (11) Cl.** **09-03**

(74) *Attorney, Agent, or Firm* — Irina Hass

(52) **U.S. Cl.**

(57) **CLAIM**

USPC **D9/415; D7/312; D7/524**

The ornamental design for a package, as shown and described.

(58) **Field of Classification Search**

DESCRIPTION

USPC D9/414–415, 418, 420–422, 424–426,
D9/431–433, 470, 658, 686–699,
D9/702–722, 740, 752, 756; D7/301,
D7/312, 321, 524; D20/22–24, 29, 30,
D20/37, 40

FIG. 1 is a perspective view showing the new design for a package;

CPC B65D 75/30; B65D 31/02; B65D 75/366;
B65D 75/3051; B65D 75/305; B65D
75/36; B65D 75/5833; B65D 75/5844;
B65D 25/54; B65D 5/4204; B65D 17/12;
B65D 43/161; B65D 77/042

FIG. 2 is a front view thereof;

FIG. 3 is a rear view thereof;

FIG. 4 is a left side view thereof, a right side view being a mirror image thereof;

FIG. 5 is a top view thereof, a bottom view being a mirror image thereof; and,

FIG. 6 is a front view thereof.

The portions of the package in FIGS. 1-6 shown in broken lines are included to show features that form no part of the claimed design. In the drawings, the dash-dot-dash lines represent boundaries of the claim.

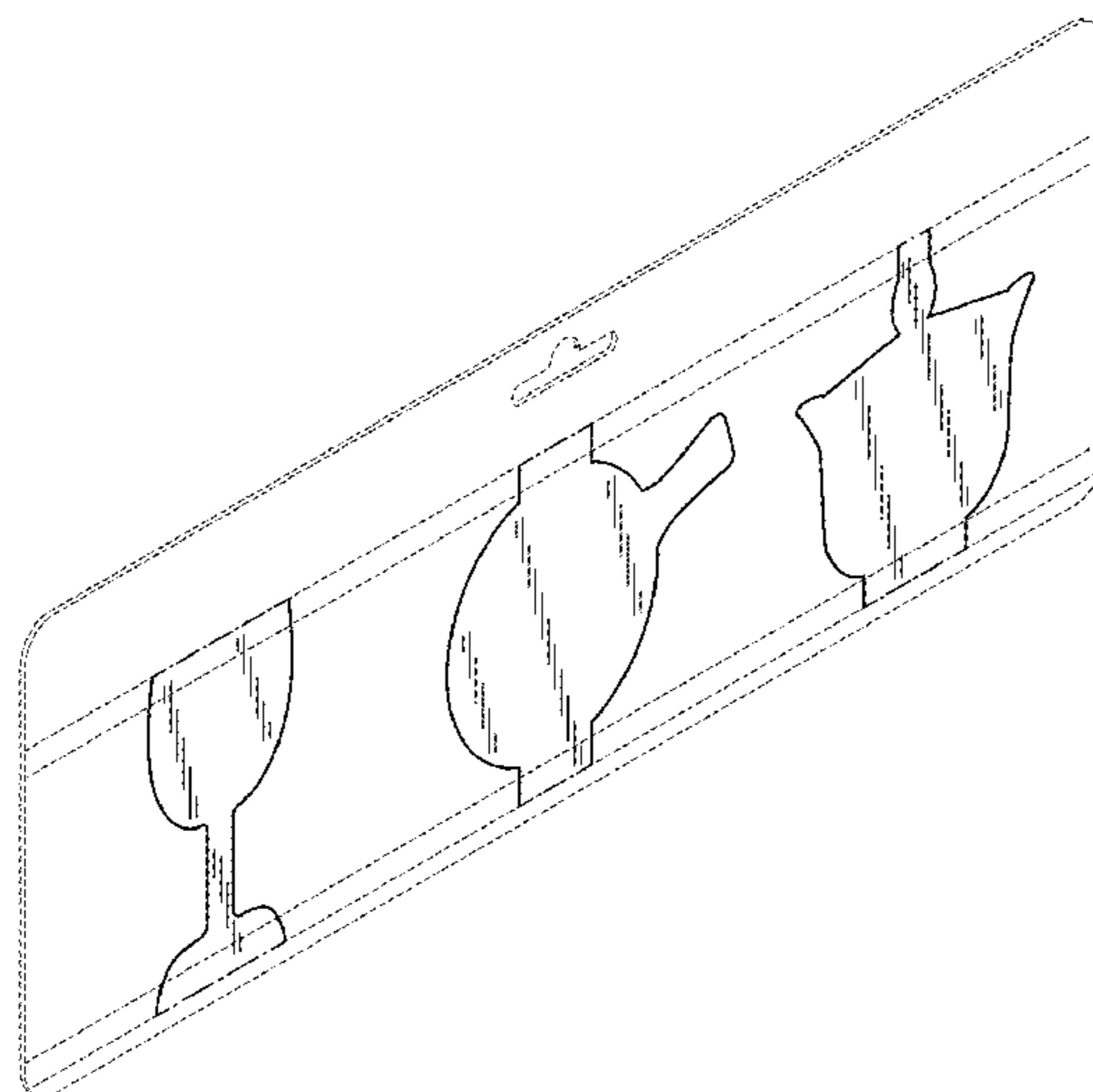
See application file for complete search history.

(56) **References Cited**

U.S. PATENT DOCUMENTS

D10,312 S * 11/1877 Jeffords D7/317
D313,050 S * 12/1990 Burgess D20/40
D368,428 S * 4/1996 Croft D9/707
D371,714 S * 7/1996 Lewis D7/316

1 Claim, 3 Drawing Sheets



(56)

References Cited

U.S. PATENT DOCUMENTS

D531,021 S * 10/2006 Ashby D9/415
 D535,554 S * 1/2007 Kent D9/415
 D589,292 S * 3/2009 Thurlow D7/312
 D598,280 S * 8/2009 Britt D9/415
 D616,296 S * 5/2010 Britt D9/415
 D623,538 S * 9/2010 Kesselman D9/711
 D623,948 S * 9/2010 Levy D9/415
 D683,408 S * 5/2013 Buick D20/40
 D691,492 S * 10/2013 Rathbone D9/711
 D693,961 S * 11/2013 Fish D27/100
 D697,312 S * 1/2014 Yao D4/122
 D712,735 S * 9/2014 McCracken D9/430
 D716,647 S * 11/2014 Mizuno D9/415
 D719,409 S * 12/2014 Wampold D7/523
 D721,135 S * 1/2015 Harvey Pennaz D20/22
 D732,670 S * 6/2015 Dwyer D24/162
 D736,613 S * 8/2015 Bowman B65D 73/0064
 D9/415

D752,923 S * 4/2016 Lee A45F 3/20
 D7/524
 D757,534 S * 5/2016 Matsuura D9/415
 D763,675 S * 8/2016 McDonald D9/415
 D776,981 S * 1/2017 Eberhard D7/300.2
 D784,803 S * 4/2017 Cataudella D9/415
 D787,271 S * 5/2017 Eberhard D7/524
 2007/0224312 A1* 9/2007 Aldridge B65D 75/30
 426/5

FOREIGN PATENT DOCUMENTS

CN	203341613	12/2013
CN	302894175	7/2014
CN	302894178	7/2014
CN	303157681	4/2015
CN	204654853	9/2015
CN	303464560	11/2015
TW	340018	9/1998
TW	D114649	12/2006

* cited by examiner

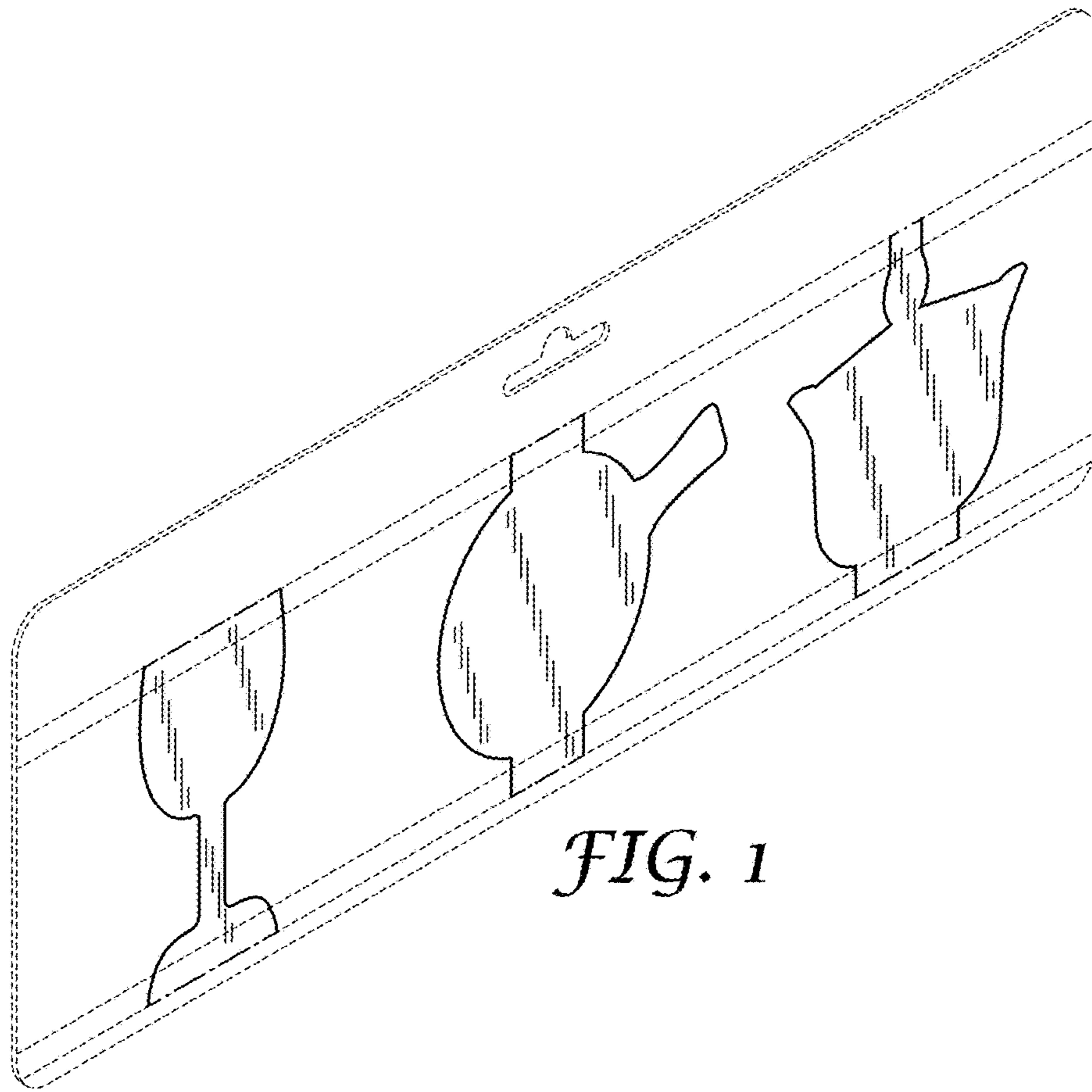


FIG. 1

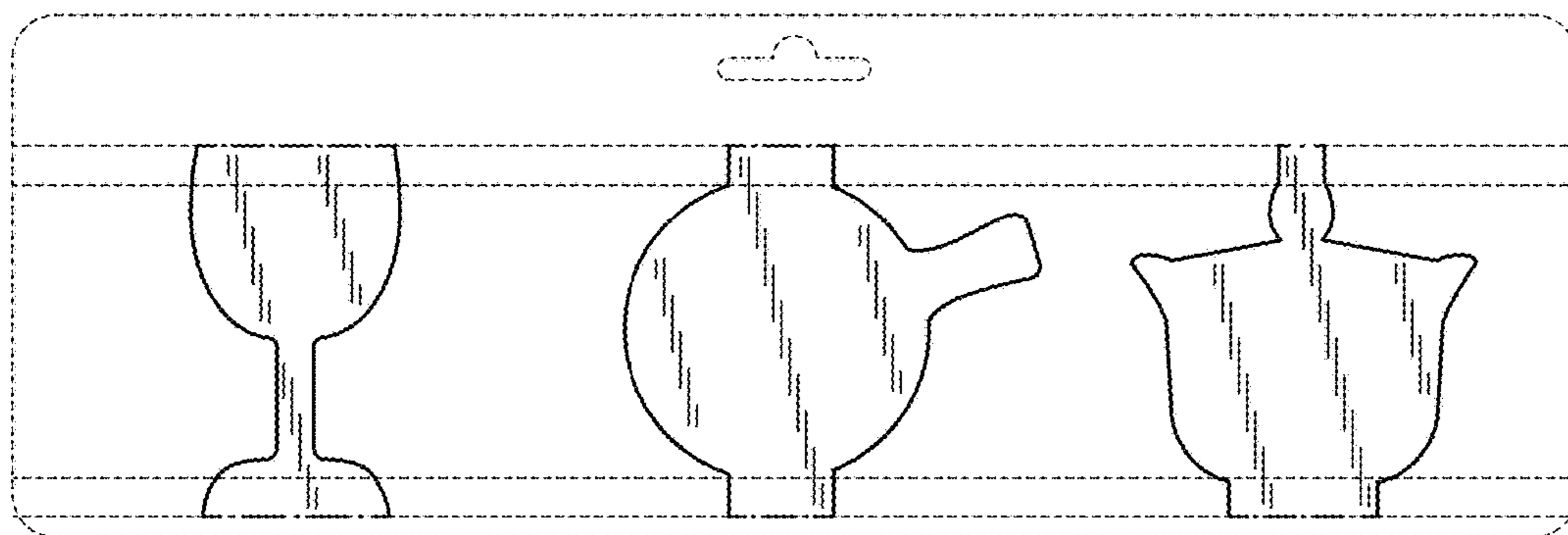


FIG. 2

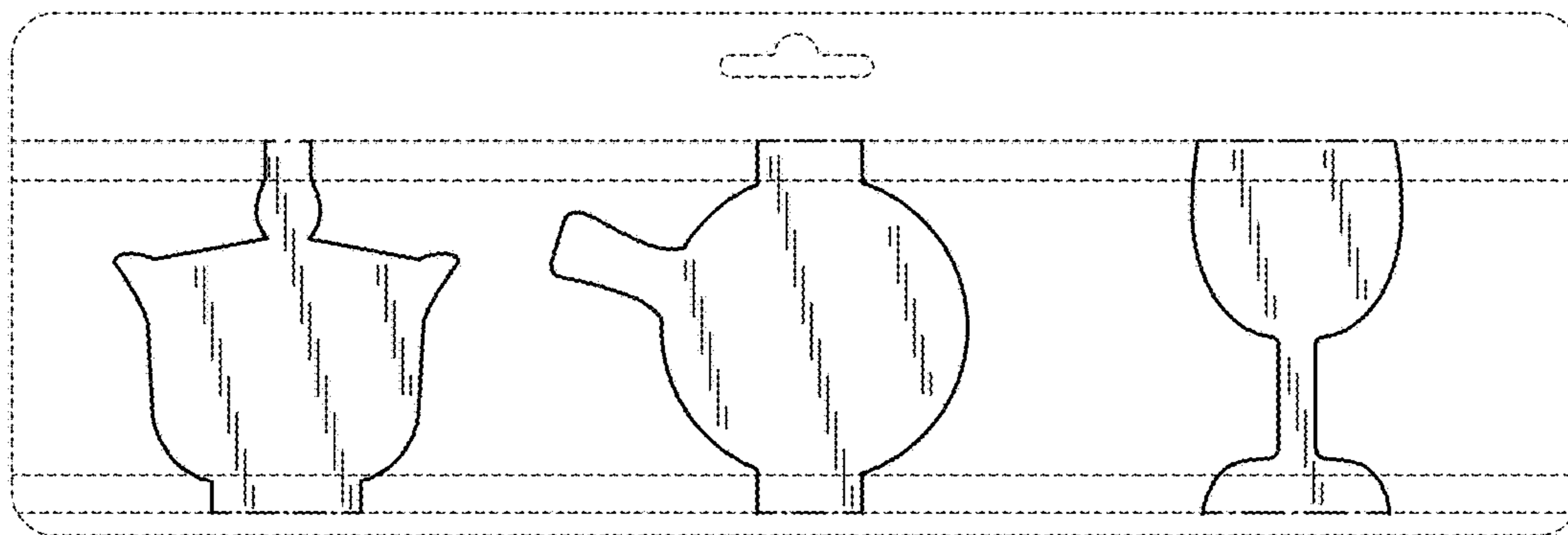


FIG. 3

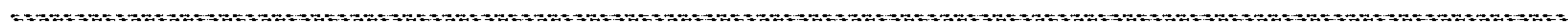


FIG. 4



FIG. 5

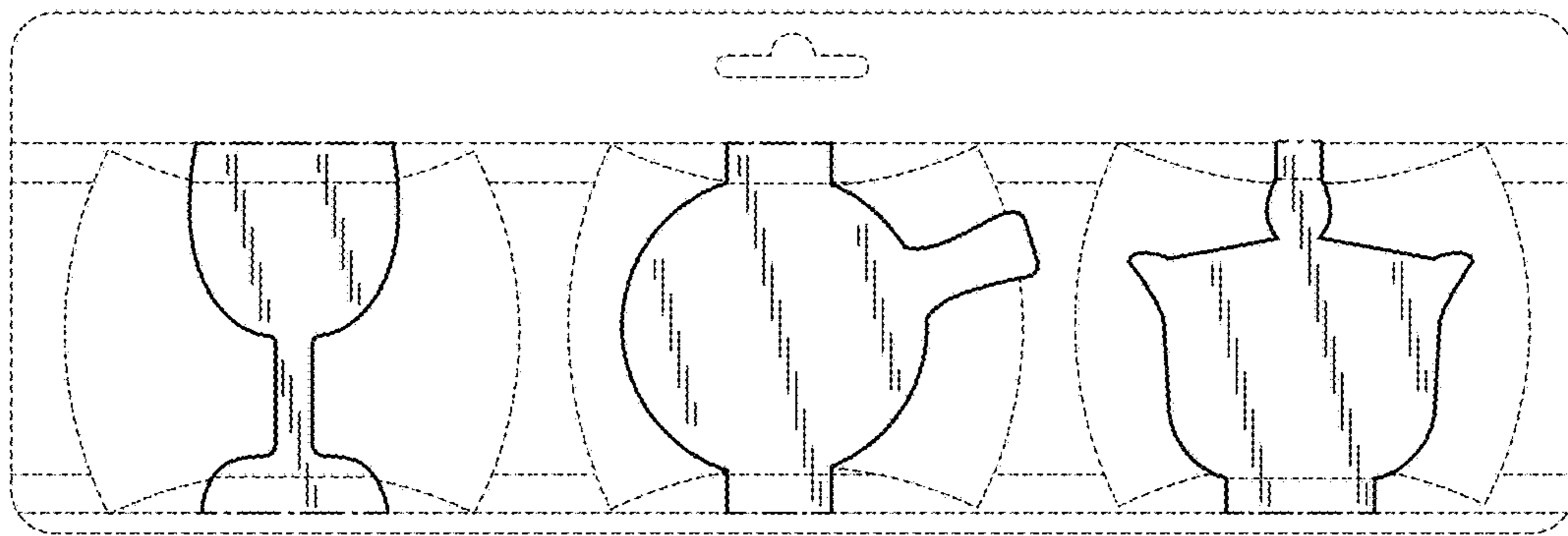


FIG. 6