



US00D823677S

(12) **United States Design Patent**  
**Tung**

(10) **Patent No.:** **US D823,677 S**

(45) **Date of Patent:** **\*\* Jul. 24, 2018**

(54) **POLE SOCKET**

(71) Applicant: **Marine Town Inc.**, New Taipei (TW)

(72) Inventor: **Chin-Chung Tung**, New Taipei (TW)

(73) Assignee: **MARINE TOWN INC.**, New Taipei (TW)

(\*\*) Term: **15 Years**

(21) Appl. No.: **29/608,234**

(22) Filed: **Jun. 20, 2017**

(51) **LOC (11) Cl.** ..... **08-08**

(52) **U.S. Cl.**  
USPC ..... **D8/387**

(58) **Field of Classification Search**  
USPC ..... D8/367, 354, 349, 373, 323, 387, 356,  
D8/397; 248/301-304, 339, 205.3,  
248/220.21, 220.31; 24/132 R, 367, 354,  
24/356; 211/87.01, 59.1  
CPC ..... A47G 1/00; A47G 25/00  
See application file for complete search history.

(56) **References Cited**

**U.S. PATENT DOCUMENTS**

D420,898 S \* 2/2000 Landman ..... D8/397  
6,026,545 A \* 2/2000 Duggan ..... E04H 9/02  
24/129 B

D455,338 S \* 4/2002 Moser ..... D8/387  
D548,580 S \* 8/2007 Burger ..... D8/387  
7,481,610 B1 \* 1/2009 Egigian ..... B60P 7/0807  
410/106  
D622,582 S \* 8/2010 Lottner ..... D8/387  
D652,285 S \* 1/2012 Wardi ..... D8/331

\* cited by examiner

*Primary Examiner* — Randall H Gholson  
(74) *Attorney, Agent, or Firm* — WPAT, PC

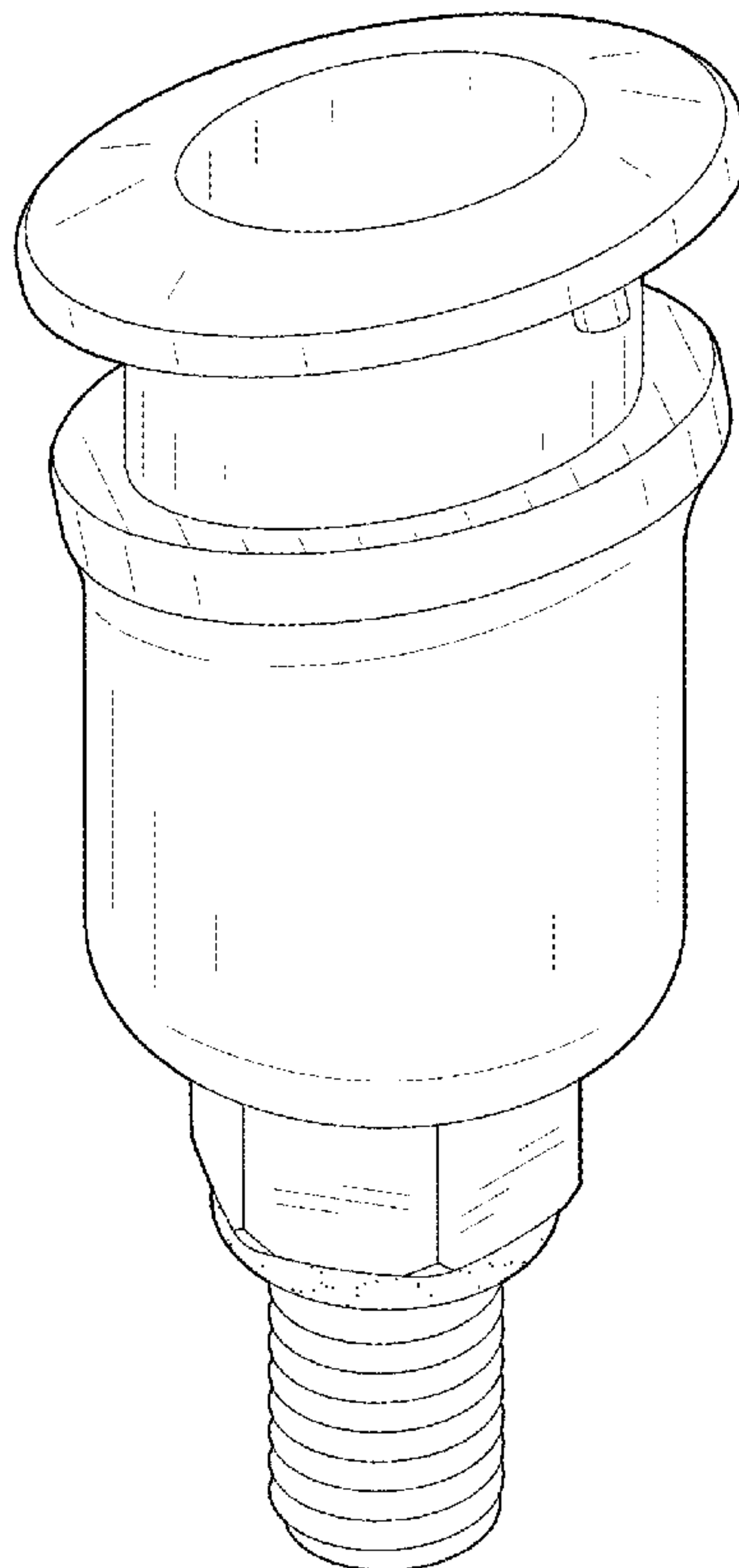
(57) **CLAIM**

The ornamental design for a pole socket, as shown and described.

**DESCRIPTION**

FIG. 1 is a perspective view of a pole socket showing my new design;  
FIG. 2 is a front elevational view thereof;  
FIG. 3 is a rear elevational view thereof;  
FIG. 4 is a left side elevational view thereof;  
FIG. 5 is a right side elevational view thereof;  
FIG. 6 is a top plan view thereof; and,  
FIG. 7 is a bottom plan view thereof.

**1 Claim, 6 Drawing Sheets**



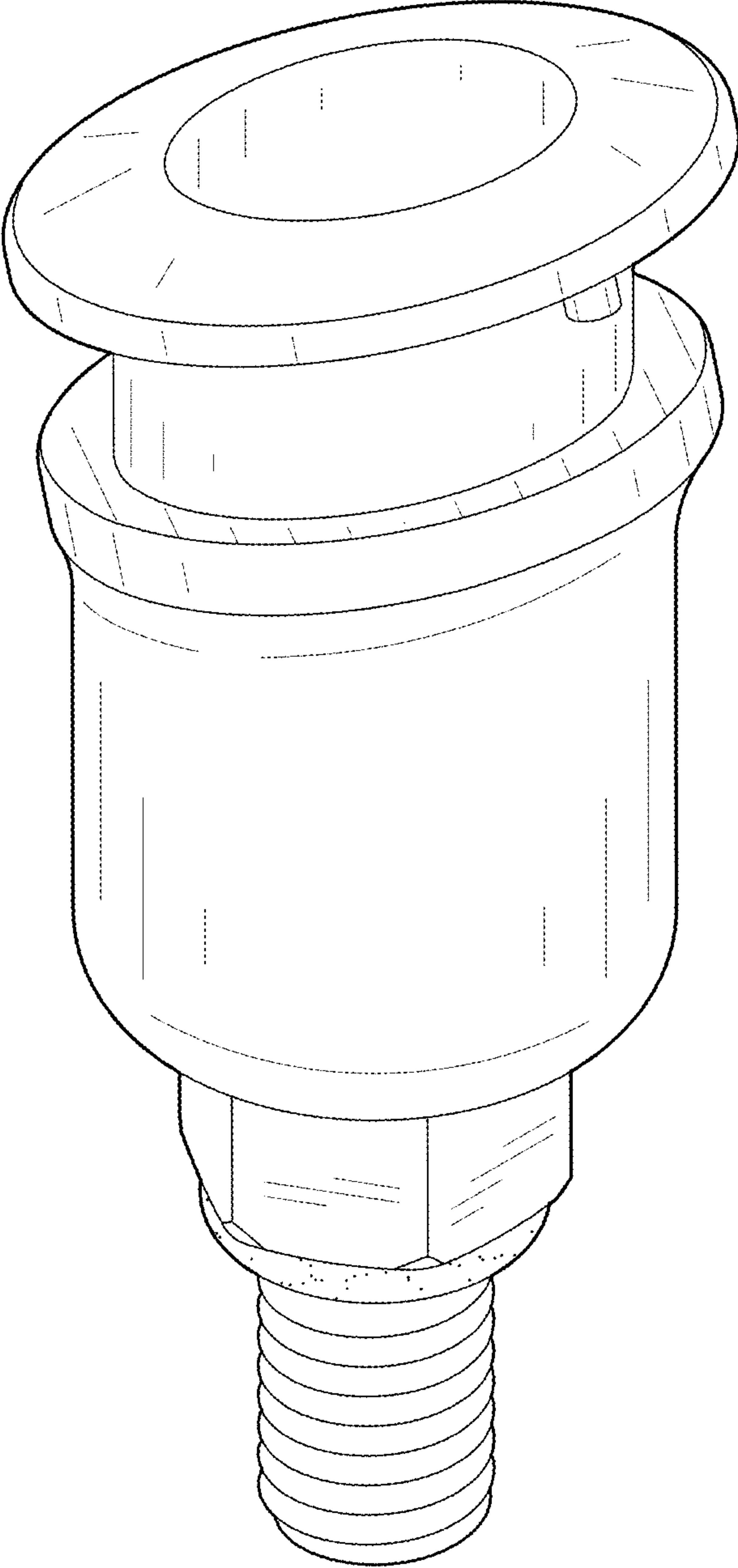


FIG. 1

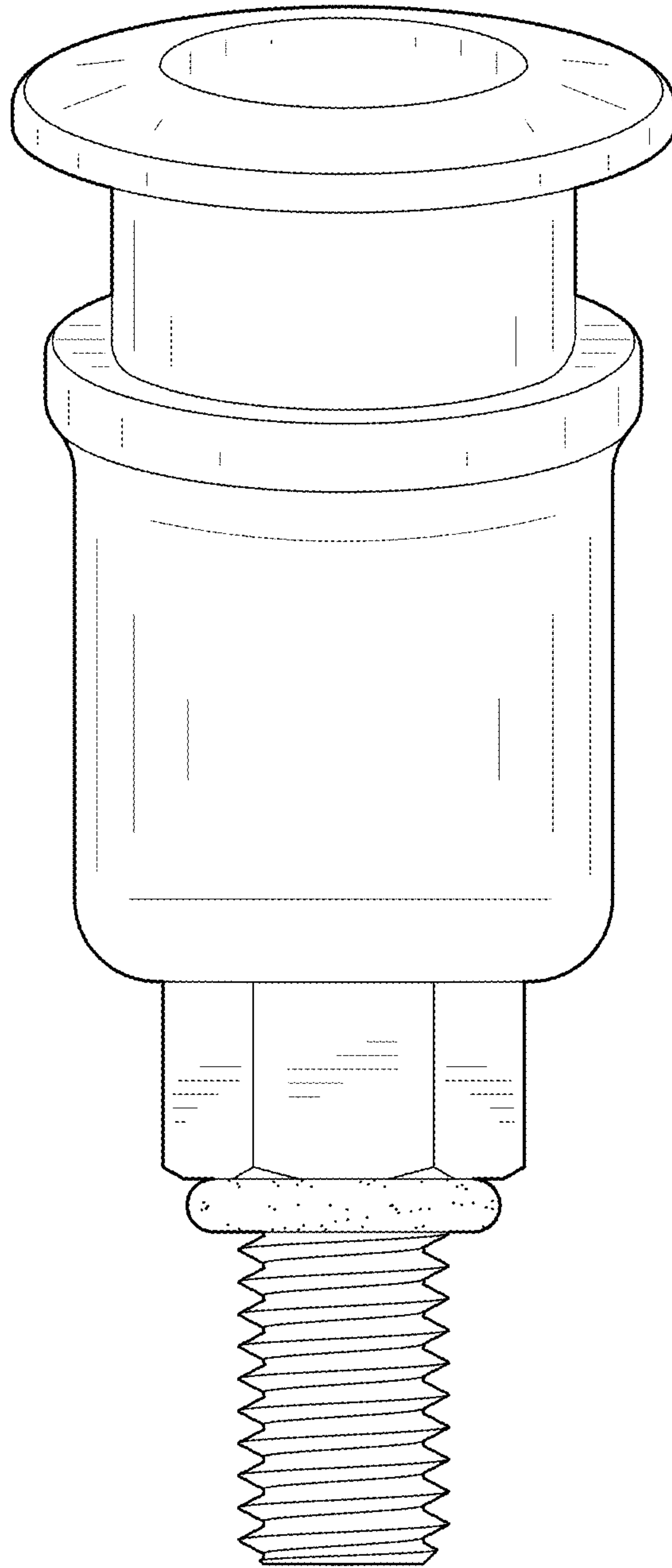


FIG. 2

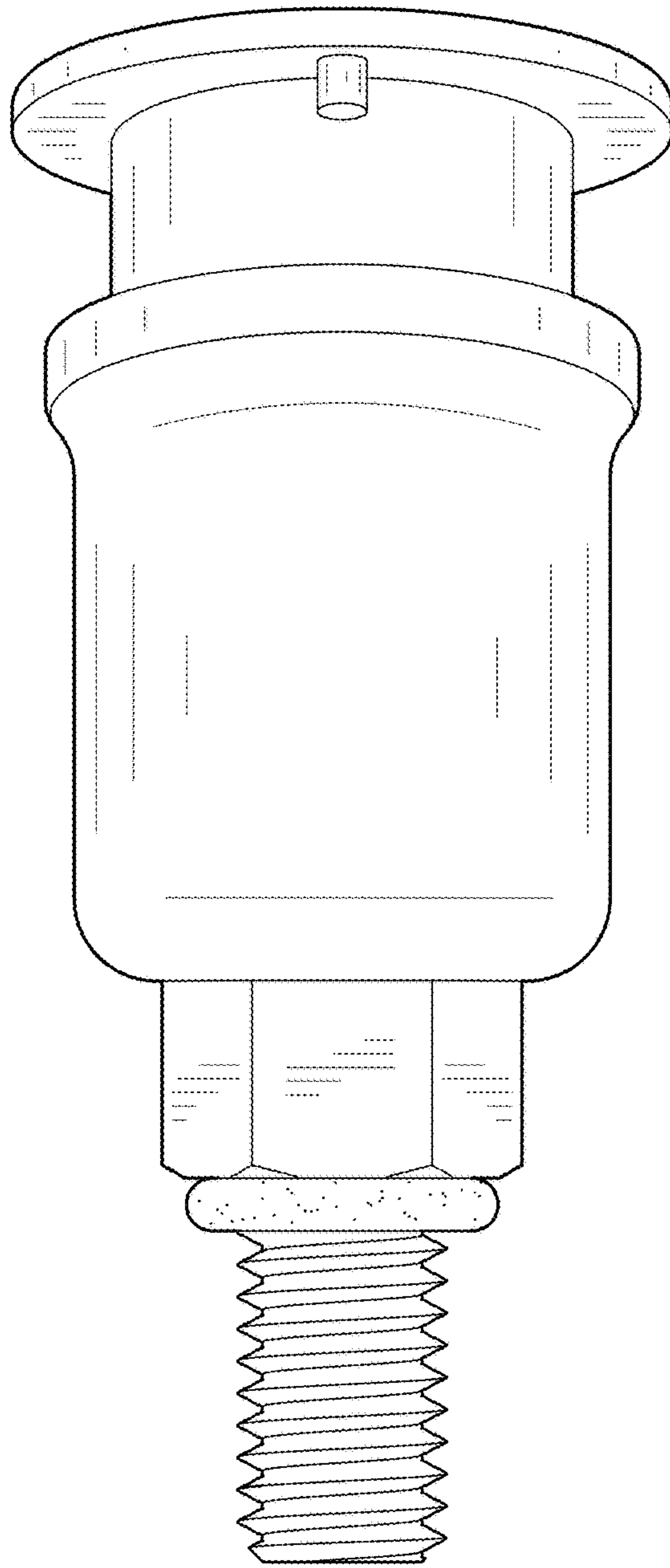


FIG. 3

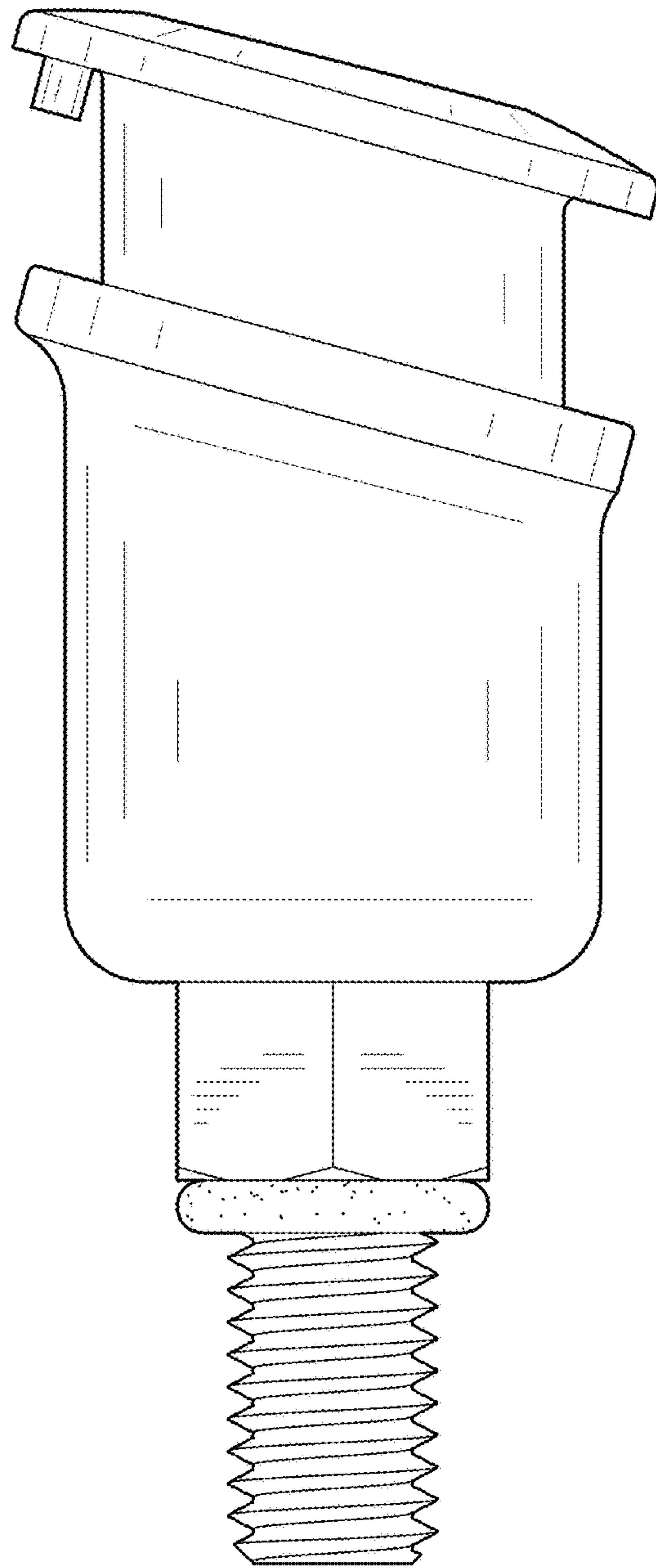


FIG. 4

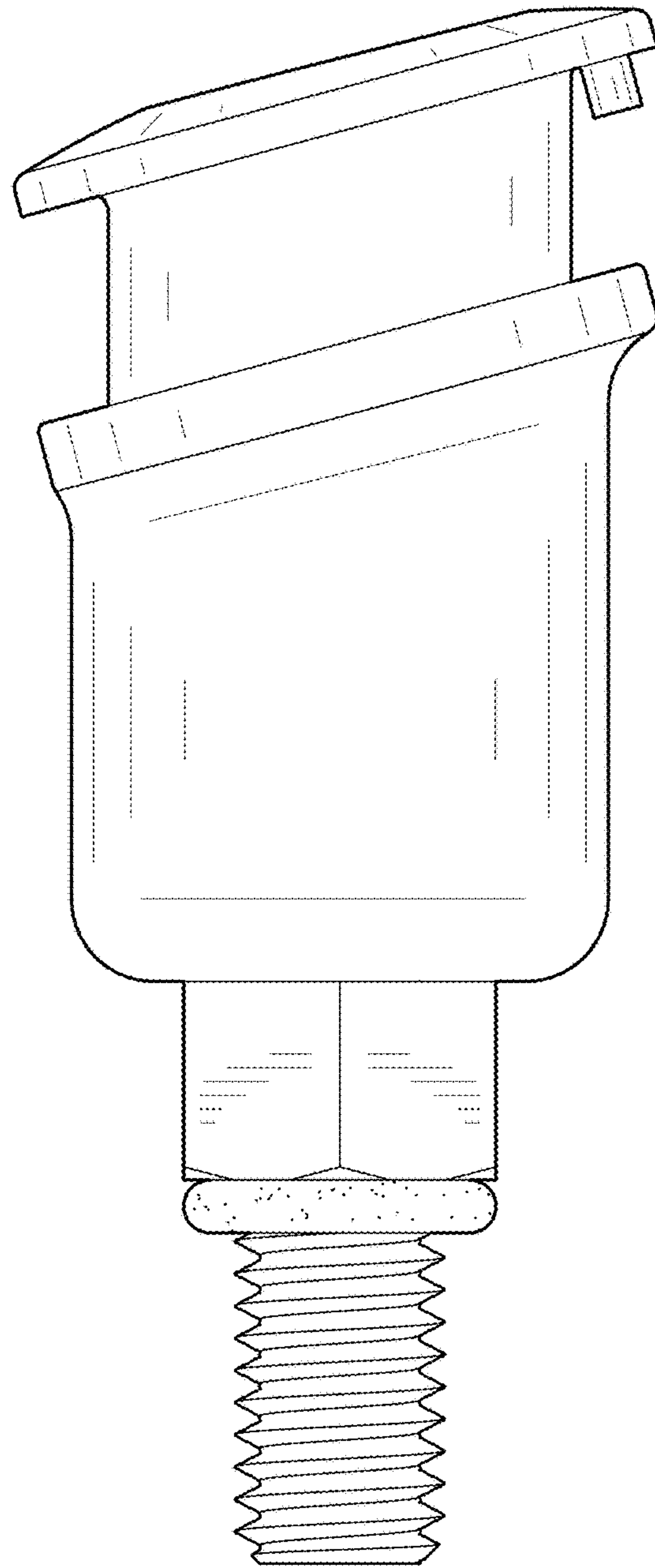


FIG. 5

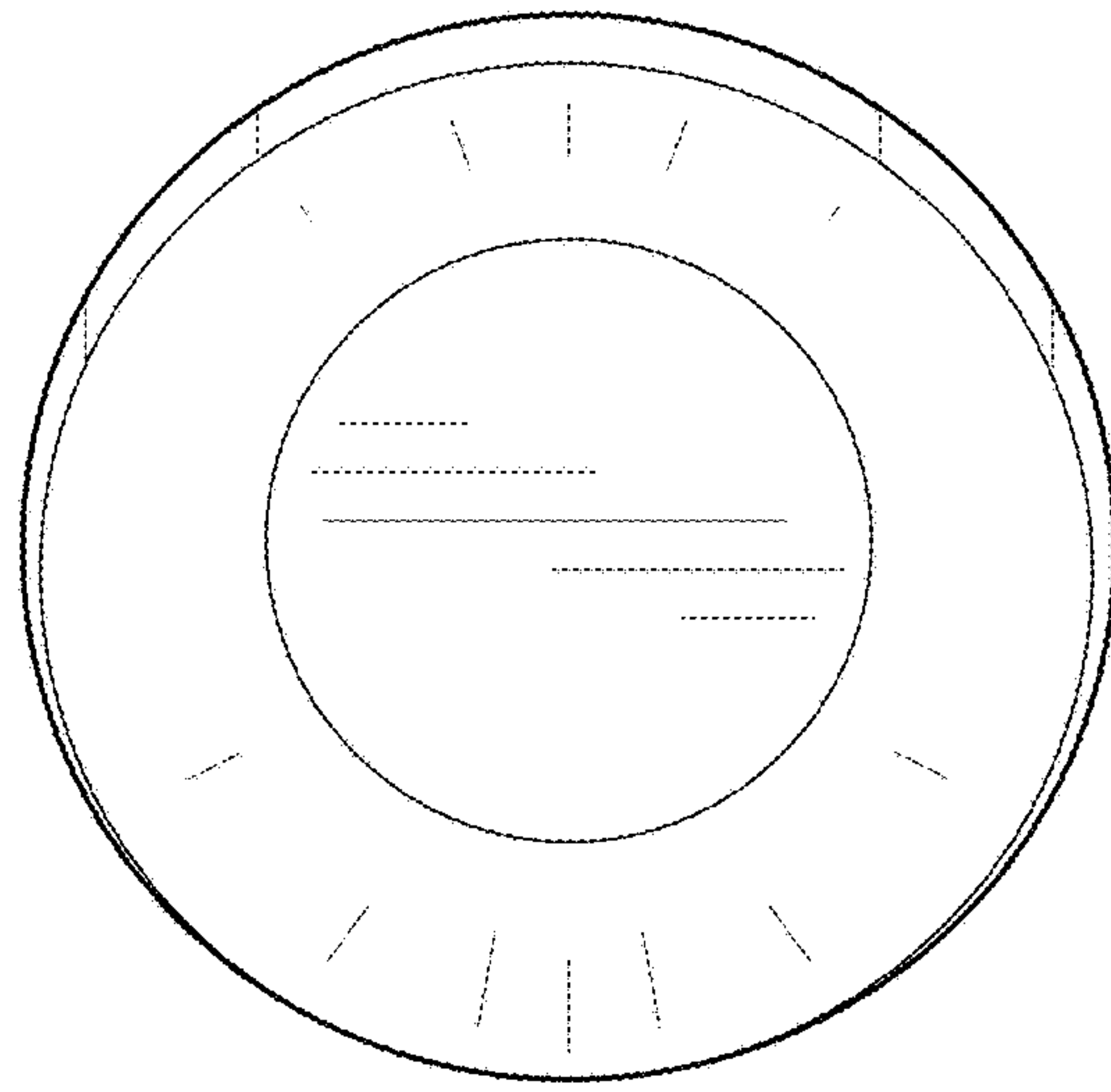


FIG. 6

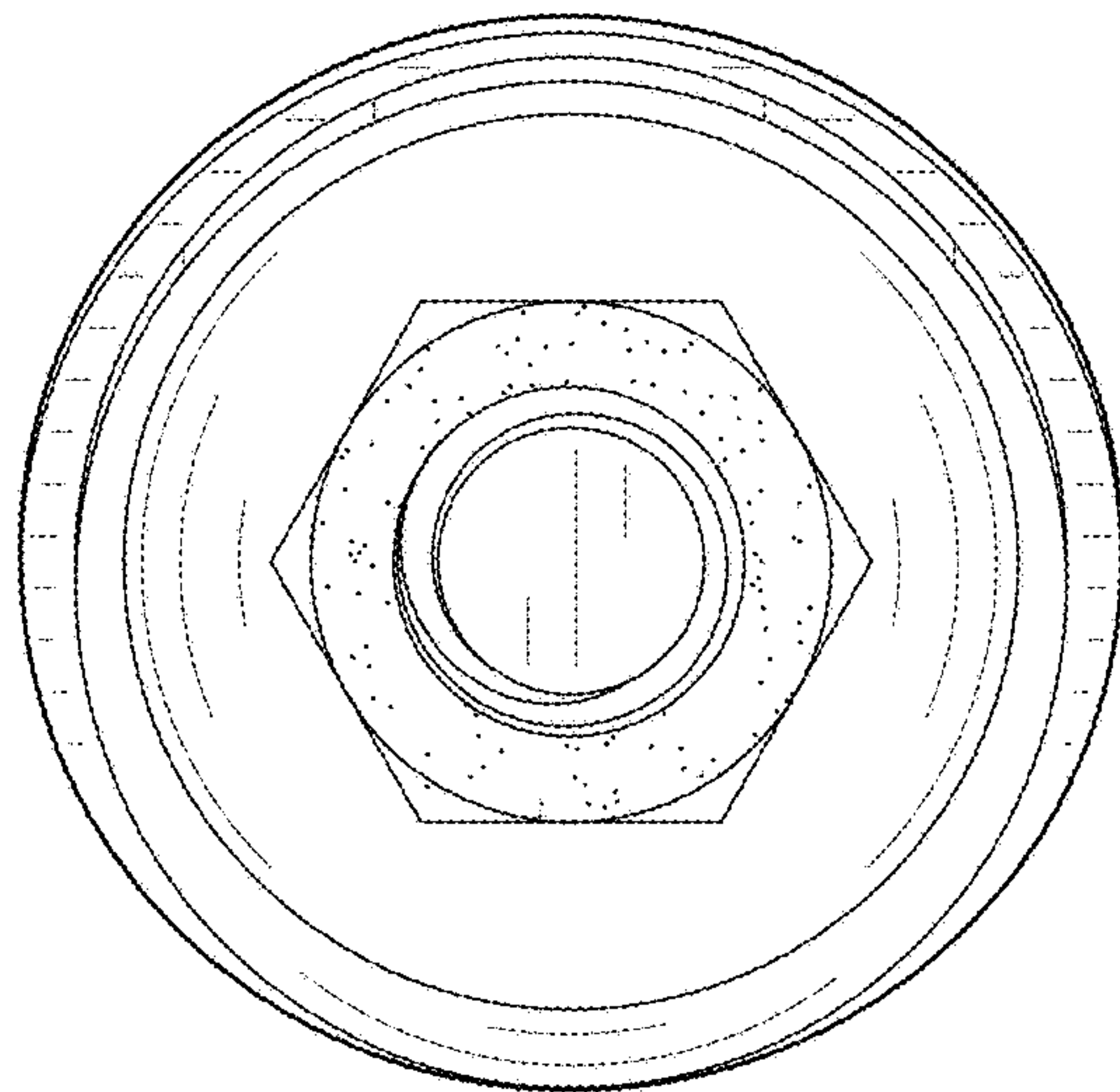


FIG. 7