



US00D823674S

(12) **United States Design Patent** (10) **Patent No.:** **US D823,674 S**
Ng (45) **Date of Patent:** **** Jul. 24, 2018**

(54) **FASCIA BRACKET FOR ROLLER SHADE**
(71) Applicant: **ZMC Metal Coating Inc.**, Woodbridge (CA)
(72) Inventor: **Philip Ng**, Thornhill (CA)
(73) Assignee: **ZMC Metal Coating Inc.**, Woodbridge (CA)
(**) Term: **15 Years**
(21) Appl. No.: **29/610,015**
(22) Filed: **Jul. 7, 2017**
(30) **Foreign Application Priority Data**

7,229,300 B2 * 6/2007 Lai H01R 27/00
439/155
D562,772 S * 2/2008 Konno D13/147
D570,786 S * 6/2008 Wu D13/147
D571,298 S * 6/2008 Hsiao D13/147
D571,299 S * 6/2008 Wu D13/147
7,609,530 B2 * 10/2009 Snider H05K 9/003
174/350
D667,718 S * 9/2012 Preda D8/354
8,376,763 B1 * 2/2013 Hsu G06K 7/003
439/155
8,408,942 B1 * 4/2013 Huang H01R 13/6581
439/607.54
D683,613 S * 6/2013 Abdul-Hadi D8/354
8,505,865 B2 * 8/2013 Wills E06B 9/42
160/323.1
D699,549 S * 2/2014 Giessmann D8/380
D700,831 S * 3/2014 Ng D8/380
D700,832 S * 3/2014 Ng D8/380

(Continued)

Jun. 16, 2017 (CA) 175367
(51) **LOC (11) Cl.** **08-05**
(52) **U.S. Cl.**
USPC **D8/380**
(58) **Field of Classification Search**
USPC D8/380, 381, 356, 354, 349, 382;
160/323.1, 321; 248/267-268; 192/223.4
CPC E06B 9/42; E06B 9/50; A47H 1/10; A47G
5/02
See application file for complete search history.

Primary Examiner — David Muller
Assistant Examiner — Nathan Johnston
(74) *Attorney, Agent, or Firm* — Honigman Miller
Schwartz and Cohn LLP

(57) **CLAIM**

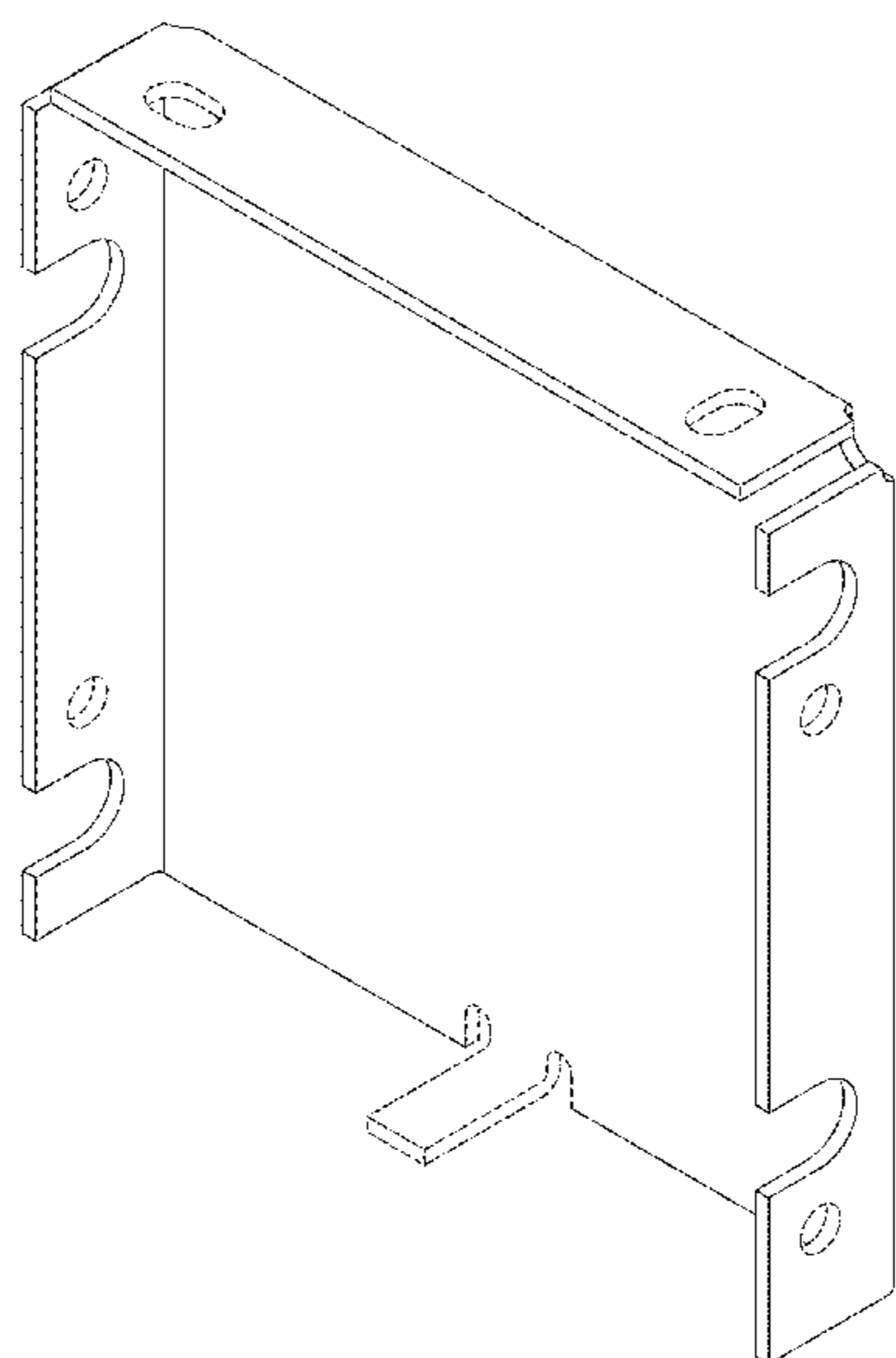
The ornamental design for a fascia bracket for roller shade, as shown and described.

DESCRIPTION

FIG. 1 is front/right side isometric view of the fascia bracket for roller shade showing my new design; FIG. 2 is a front elevation view thereof; FIG. 3 is a rear elevation view thereof; FIG. 4 is a right side elevation view thereof; FIG. 5 is a left side elevation view thereof; FIG. 6 is a top plan view thereof; and, FIG. 7 is a bottom plan view thereof. The broken lines show portions of the design that form no part of the claimed design.

1 Claim, 7 Drawing Sheets

(56) **References Cited**
U.S. PATENT DOCUMENTS
D311,672 S * 10/1990 Johnson D3/215
D312,185 S * 11/1990 Prater, Sr. D6/567
D317,157 S * 5/1991 Jondelius D14/253
D420,895 S * 2/2000 Nadar D8/384
6,238,244 B1 * 5/2001 Yang H01R 13/658
439/607.01
6,629,860 B1 * 10/2003 Hu H01R 13/6581
439/159
6,766,992 B1 * 7/2004 Parker F16M 13/022
248/218.4



(56)

References Cited

U.S. PATENT DOCUMENTS

D700,833	S *	3/2014	Ng	D8/380
8,724,343	B2 *	5/2014	Feldstein	H05K 9/0058 361/616
8,960,621	B2 *	2/2015	Wills	F16B 5/0614 160/19
9,016,641	B1 *	4/2015	Kauffman	F16M 13/02 248/200
D732,939	S *	6/2015	Cannaverde	E06B 9/174 D8/354
D737,124	S *	8/2015	Sasanecki	D8/366
D761,236	S *	7/2016	Wengreen	D14/238.1
D767,973	S *	10/2016	DeDios-Shirley	D8/349
D815,314	S *	4/2018	Ralph	D25/199
2003/0155474	A1 *	8/2003	Dean	G11B 33/124 248/300
2005/0208831	A1 *	9/2005	Lee	H05K 9/0058 439/607.06
2006/0063432	A1 *	3/2006	Chen	H01R 13/658 439/607.36
2008/0081497	A1 *	4/2008	Lai	H01R 13/6275 439/155
2009/0042443	A1 *	2/2009	Ma	H01R 13/504 439/607.01
2010/0081331	A1 *	4/2010	Chen	G06K 7/0047 439/630
2010/0120281	A1 *	5/2010	Lai	G06K 7/0021 439/346
2011/0300750	A1 *	12/2011	Nagawatari	H01R 9/035 439/607.01
2013/0105649	A1 *	5/2013	Wills	E06B 9/42 248/224.8
2014/0263907	A1 *	9/2014	Mason	G06F 1/187 248/300

* cited by examiner

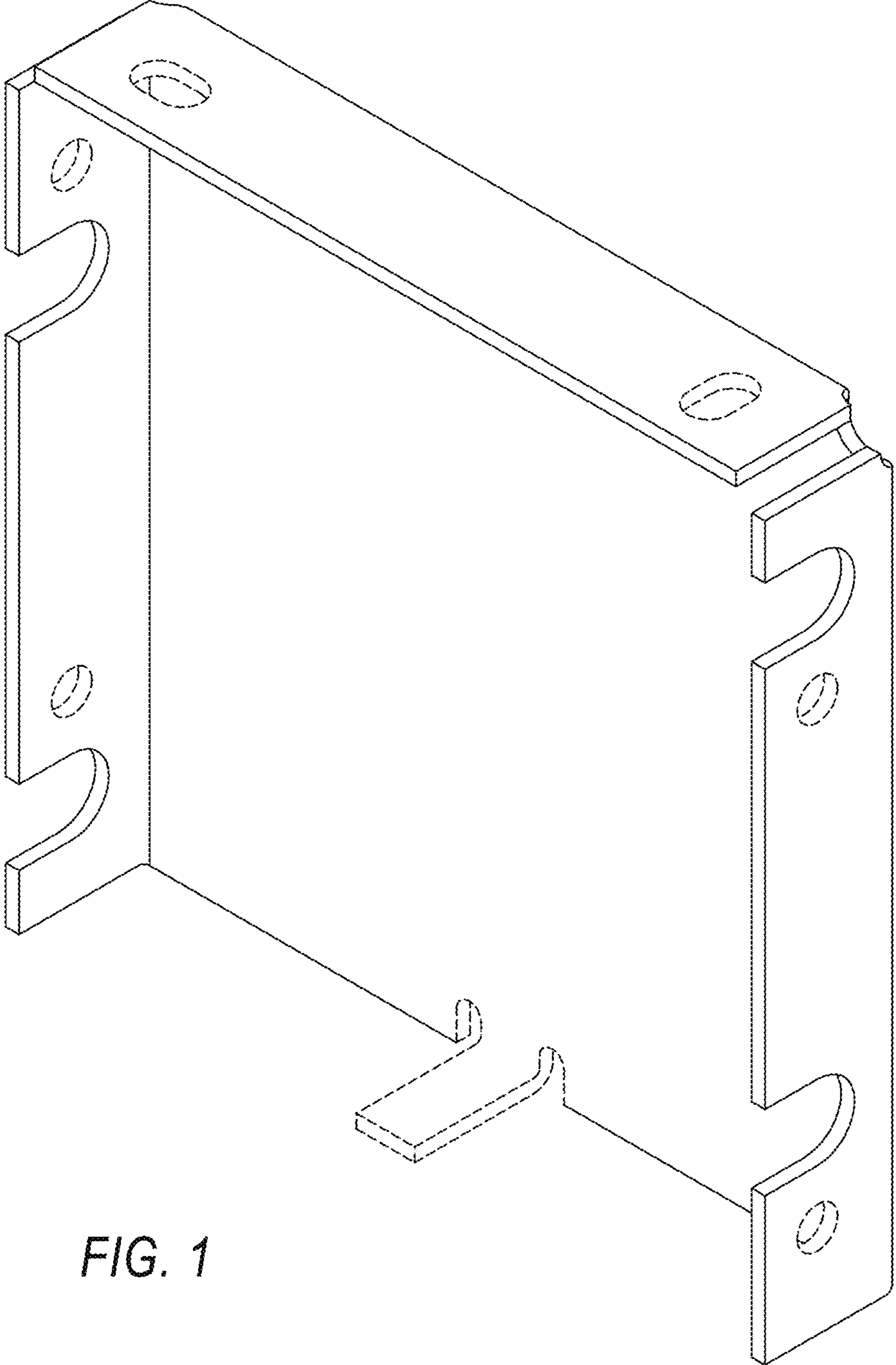


FIG. 1

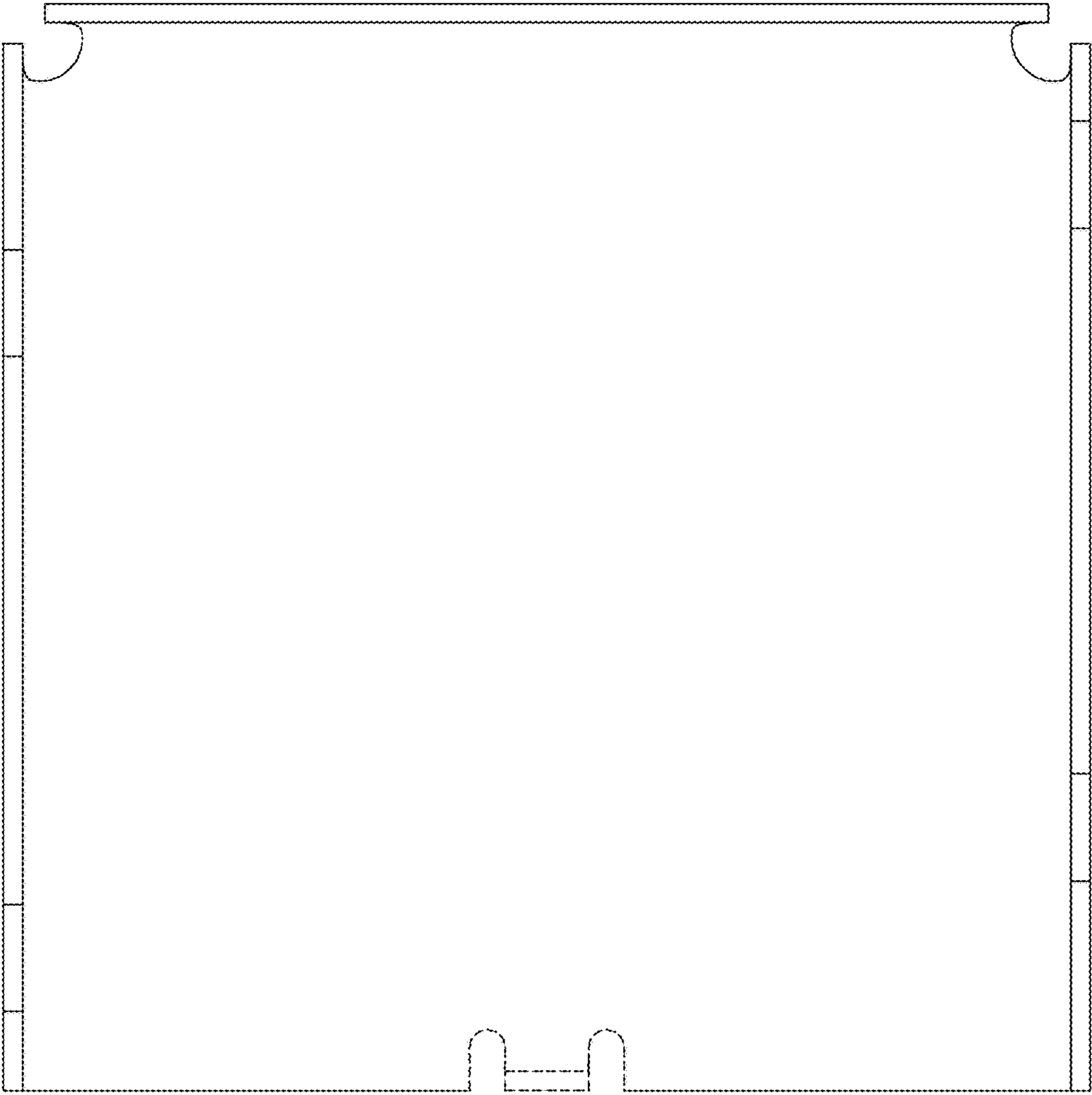


FIG. 2

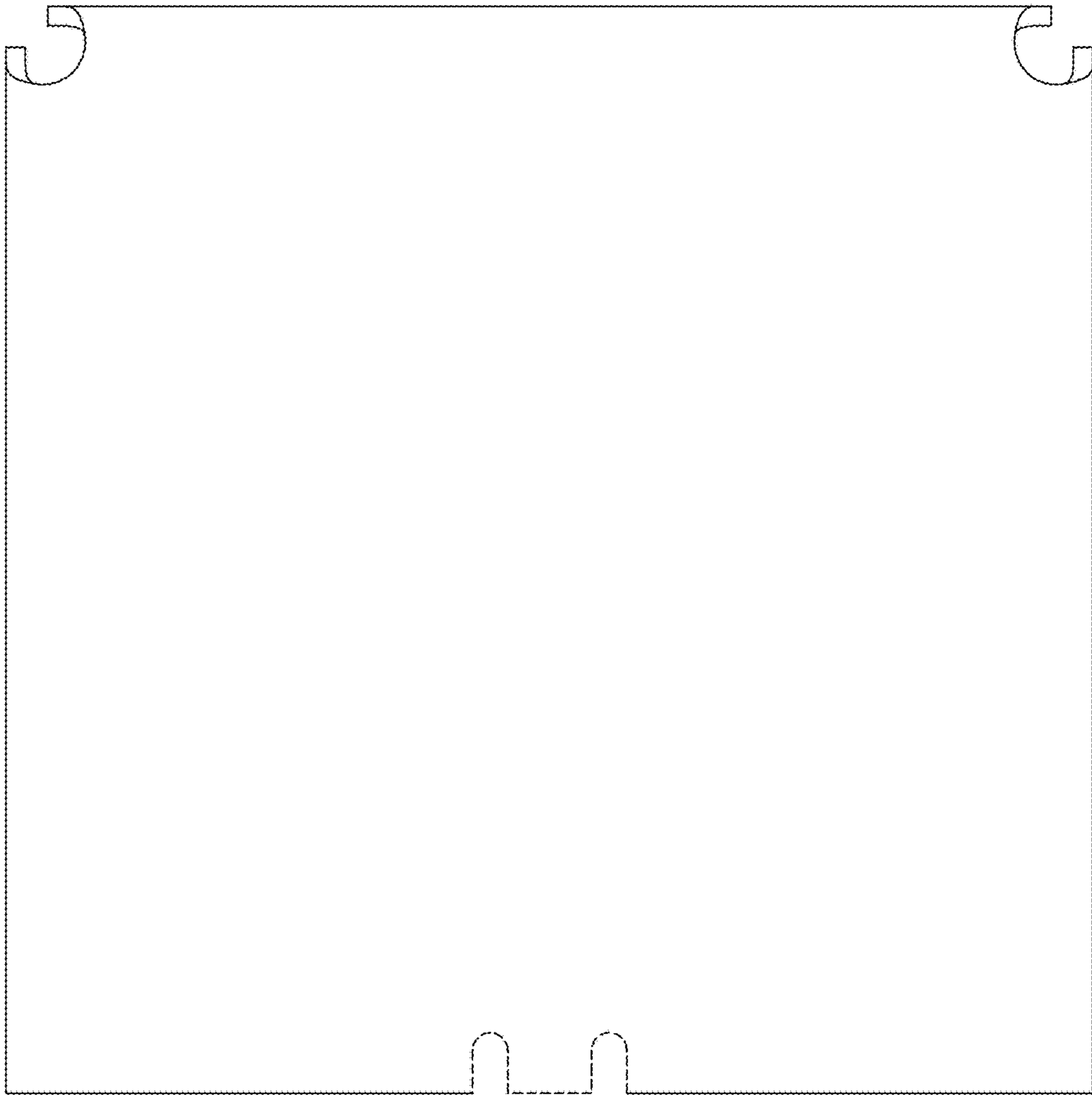


FIG. 3

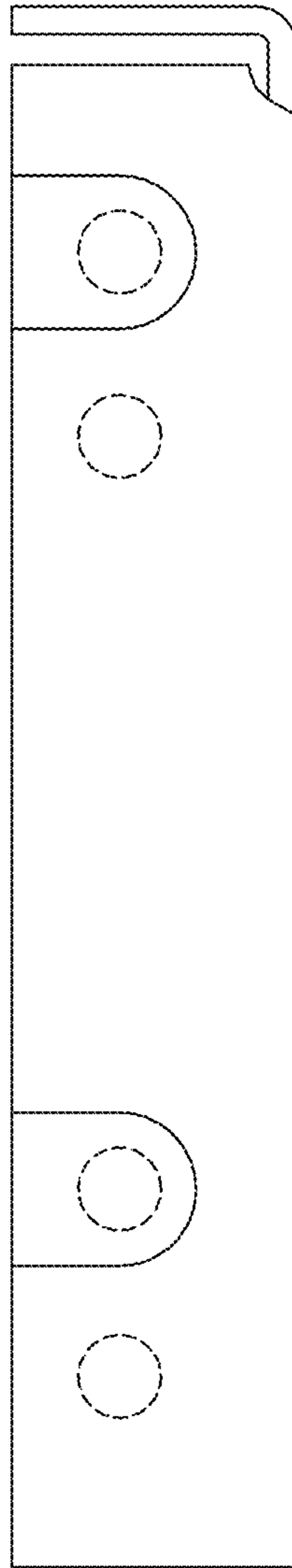


FIG. 4



FIG. 5

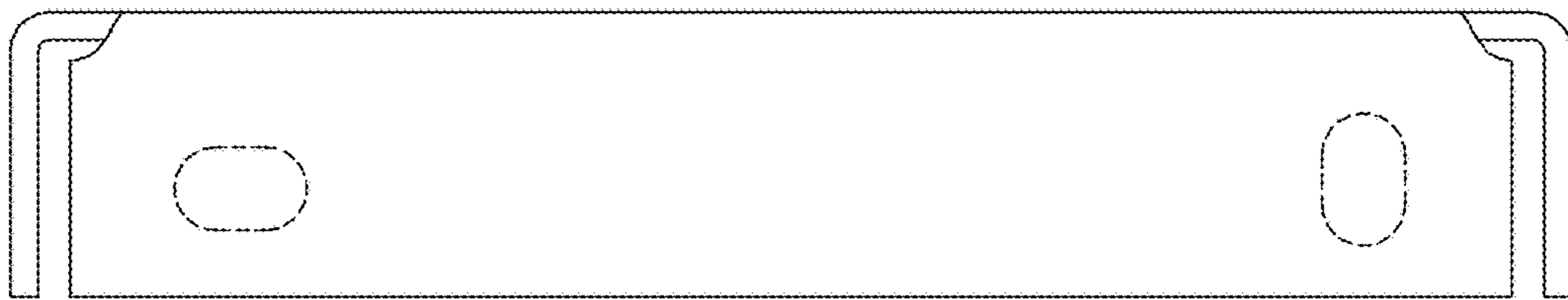


FIG. 6

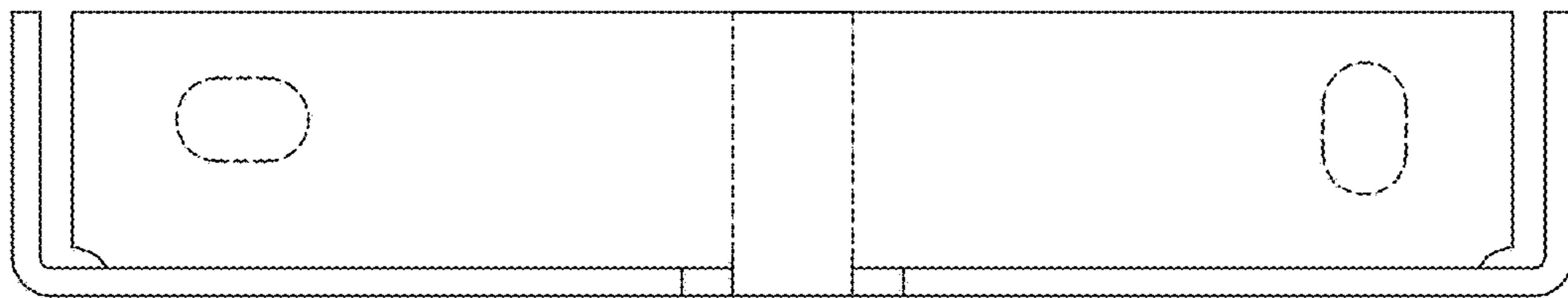


FIG. 7