



US00D823672S

(12) **United States Design Patent**
Mogensen

(10) **Patent No.:** **US D823,672 S**

(45) **Date of Patent:** **** Jul. 24, 2018**

- (54) **FASTENING CLIP FOR CABLES**
- (71) Applicant: **CLIPS GROUP HOLDING IVS,**
Aarhus N (DK)
- (72) Inventor: **Henrik Mogensen,** Aarhus N (DK)
- (73) Assignee: **Clips Group Holding IVS,** Aarhus N
(DK)
- (**) Term: **15 Years**
- (21) Appl. No.: **35/501,563**
- (22) Filed: **Mar. 16, 2016**
- (80) **Hague Agreement Data**
Int. Filing Date: **Mar. 16, 2016**
Int. Reg. No.: **DM/090620**
Int. Reg. Date: **Mar. 16, 2016**
Int. Reg. Pub. Date: **Sep. 16, 2016**
- (51) **LOC (11) Cl.** **09-06**
- (52) **U.S. Cl.**
USPC **D8/356; D8/382**
- (58) **Field of Classification Search**
USPC D8/71, 349, 354, 356, 382, 383, 394,
D8/395, 396, 499
CPC F16G 11/00; F16G 11/02; F16G 11/103;
F16G 11/046; F16G 11/048; F16G
11/105; F16L 3/237; H02G 3/30; H02G
7/06
See application file for complete search history.

D289,373 S *	4/1987	Kimball	24/130
4,957,232 A *	9/1990	Sprague	A45F 5/02 224/249
D311,487 S *	10/1990	Platt	D8/356
5,232,193 A *	8/1993	Skakoon	A61M 5/1418 24/130
5,234,185 A *	8/1993	Hoffman	F16L 5/14 248/56
D353,990 S *	1/1995	Alfreds	D8/356
6,012,940 A *	1/2000	Wheeler	H01R 13/6392 439/369
D448,656 S *	10/2001	Kalat	D8/382
6,571,854 B1 *	6/2003	Palmer	E06B 9/324 160/173 R
7,195,511 B1 *	3/2007	Ornt	H01R 13/5833 439/369
D587,988 S *	3/2009	Johansson	D8/356
D627,632 S *	11/2010	Elmer	D8/383
D684,845 S *	6/2013	Wood	A62B 1/14 D8/356
D702,109 S *	4/2014	Weinberg	D8/356
D753,985 S *	4/2016	Nelson	D8/356
D791,582 S *	7/2017	Nelson	D8/356

* cited by examiner

Primary Examiner — Darlington Ly

(74) *Attorney, Agent, or Firm* — Steven McMahon Zeller;
Dykema Gossett PLLC

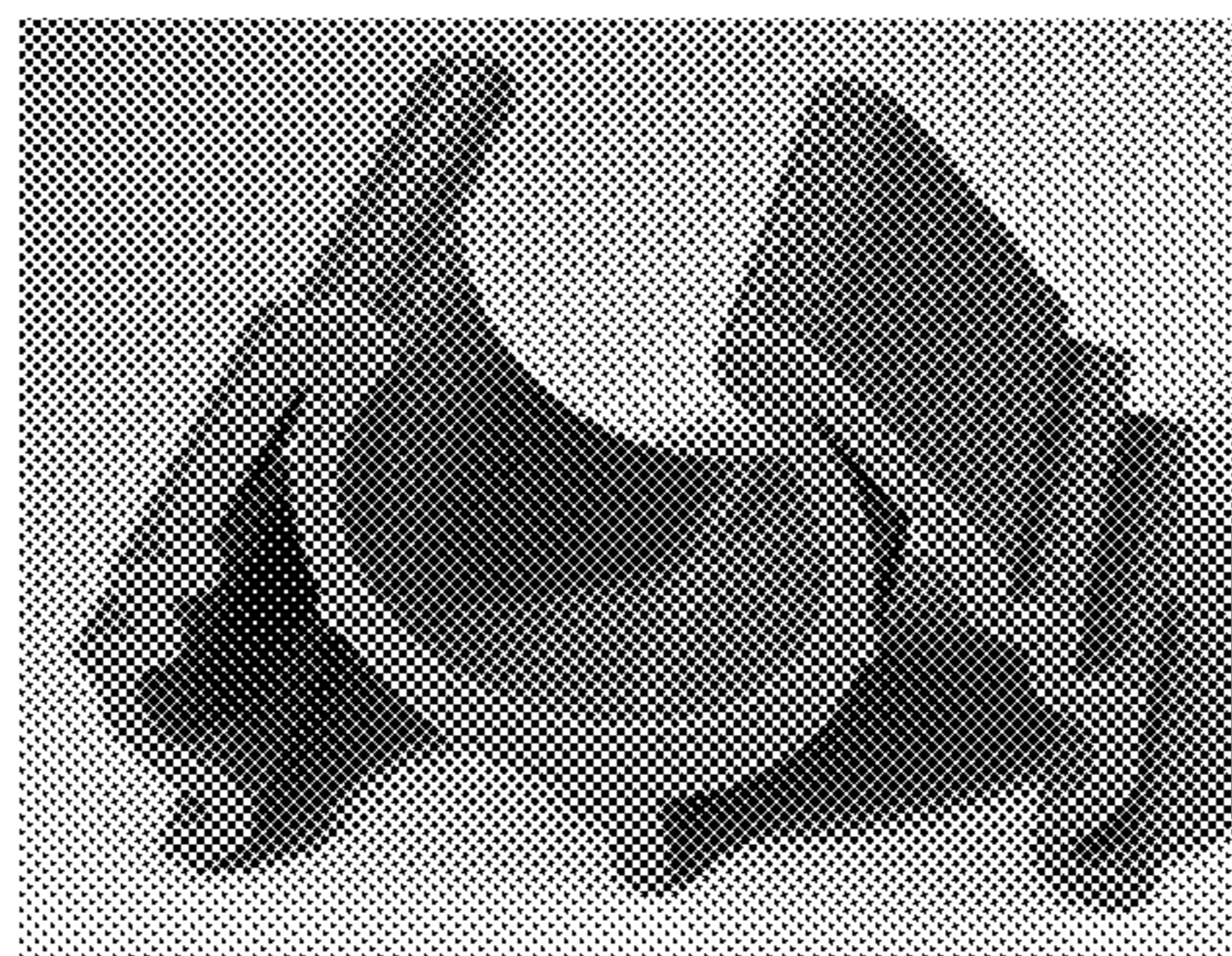
(57) **CLAIM**

The ornamental design for a fastening clip for cables, as shown and described.

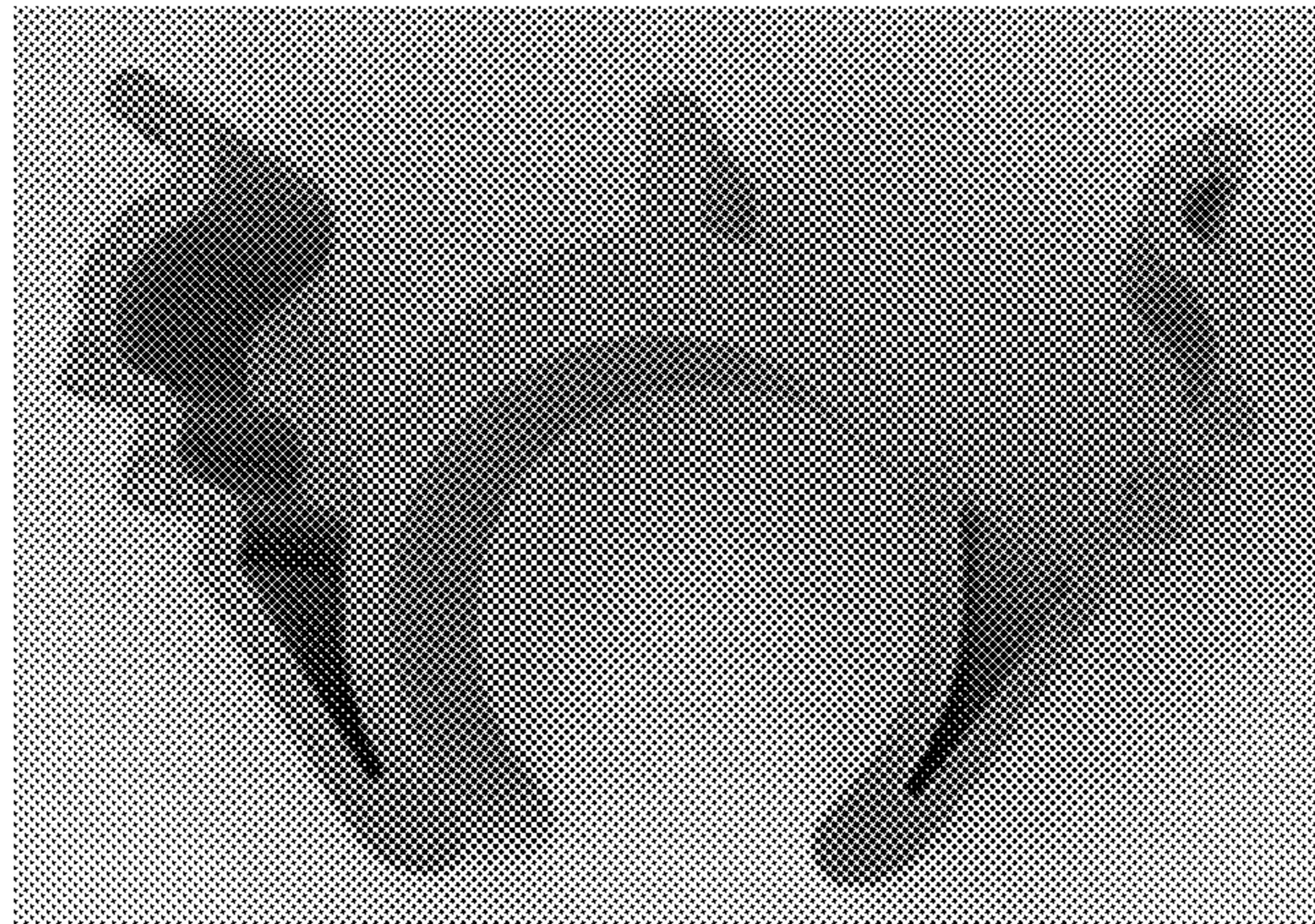
DESCRIPTION

- 1. Fastening clip for cables
- 1.1** is a front perspective view of a fastening clip for cables showing our new design;
- 1.2** is a bottom and rear perspective view thereof;
- 1.3** is a top and rear perspective view thereof;
- 1.4** is a top perspective view thereof;
- 1.5** is a top and front perspective view thereof; and
- 1.6** is a bottom perspective view thereof.

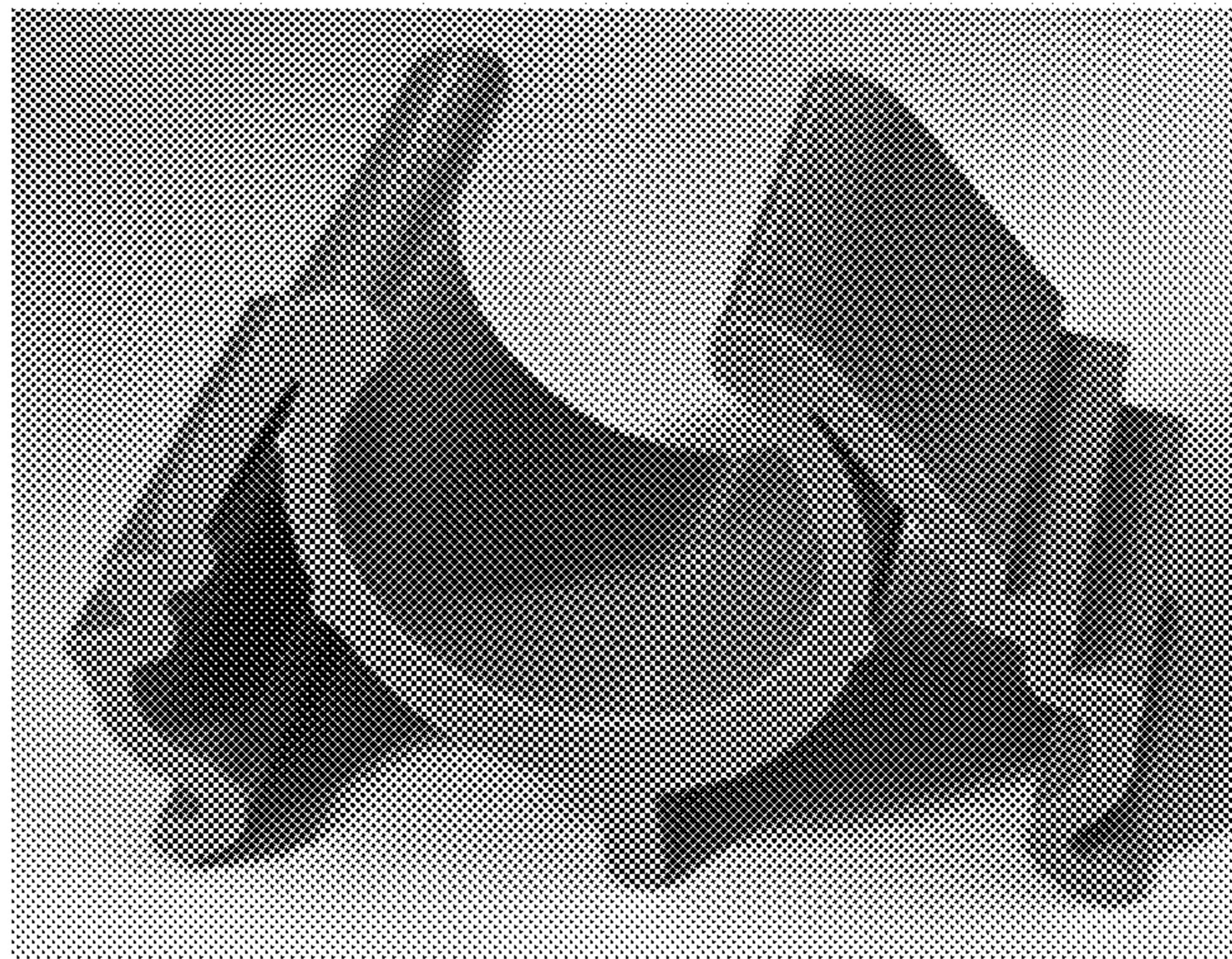
1 Claim, 6 Drawing Sheets



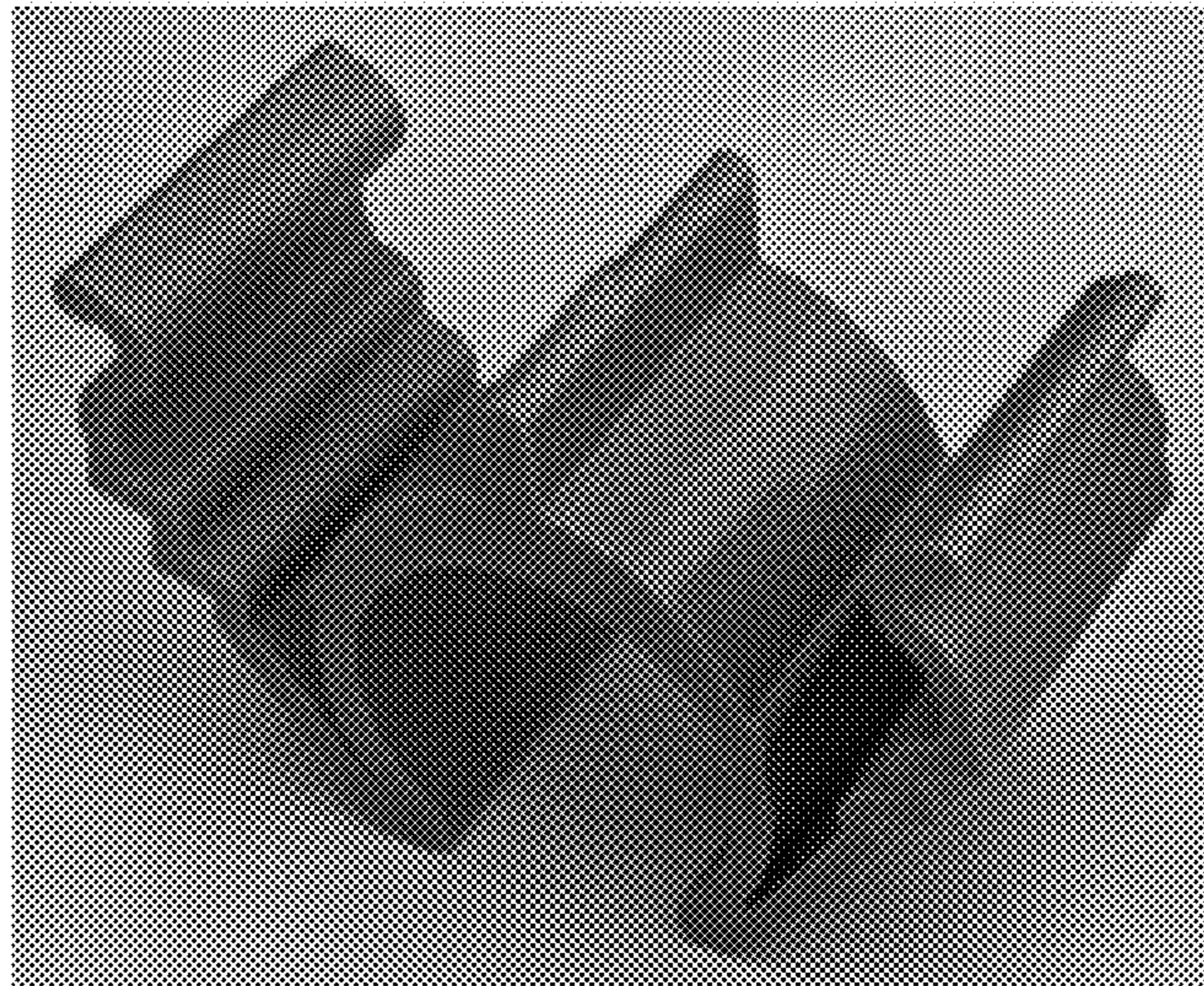
1.1



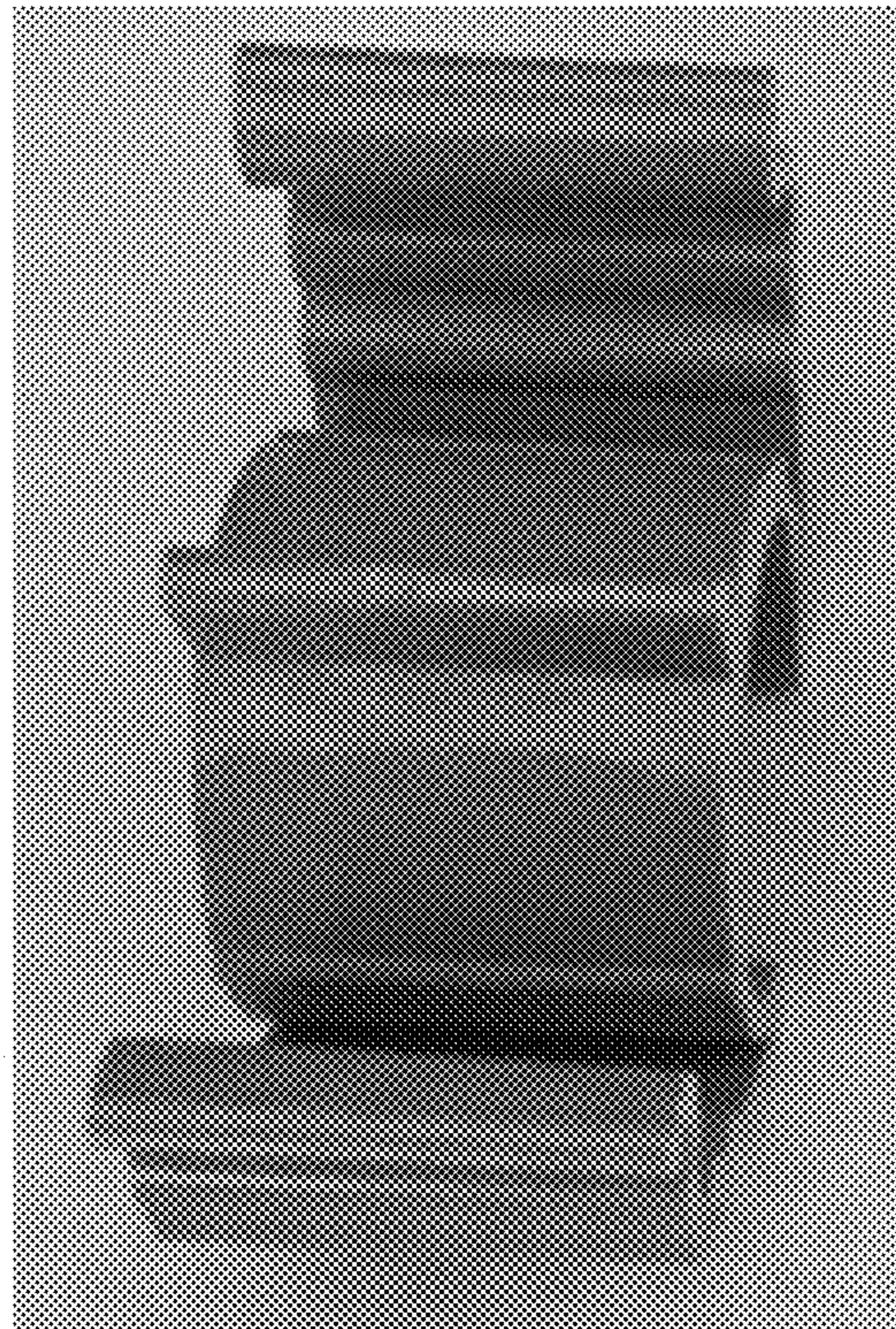
1.2



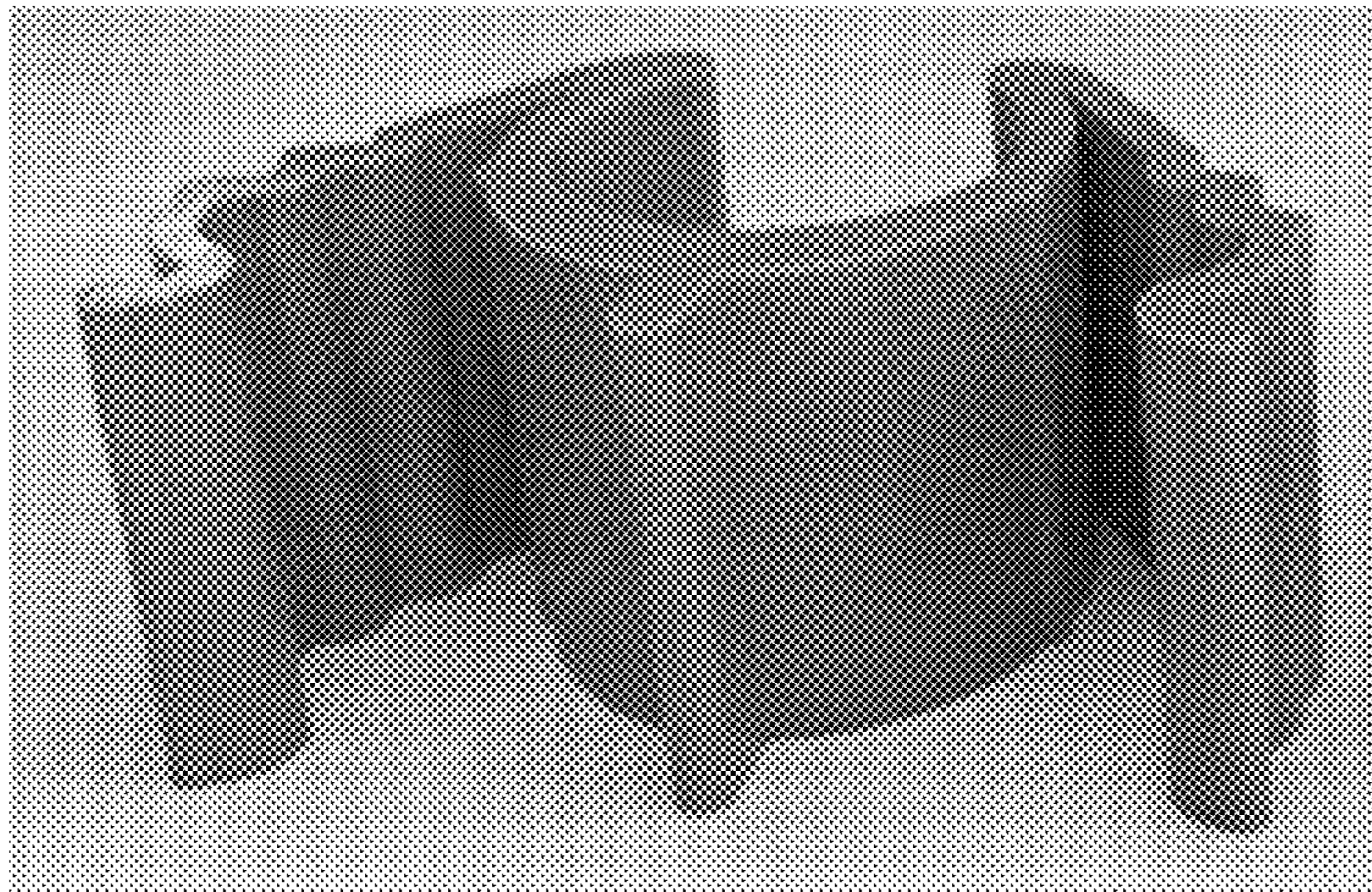
1.3



1.4



1.5



1.6

