



US00D823666S

(12) **United States Design Patent** (10) **Patent No.:** **US D823,666 S**  
**Macdonald et al.** (45) **Date of Patent:** **\*\* Jul. 24, 2018**

(54) **TWO-LEGGED CUBE CONNECTOR FOR WALL PANEL SYSTEM**

(71) Applicant: **EXTERIOR WALL SYSTEMS LIMITED ONTARIO PANELIZATION**, London (CA)

(72) Inventors: **Robert B. Macdonald**, London (CA); **Philip A. Macdonald**, London (CA); **Alexander K. Williams**, London (CA); **Jonathan W. Hoy**, London (CA)

(73) Assignee: **Exterior Wall Systems Limited**, London, Ontario (CA)

(\*\*) Term: **15 Years**

(21) Appl. No.: **29/592,471**

(22) Filed: **Jan. 31, 2017**

(51) **LOC (11) Cl.** ..... **08-08**

(52) **U.S. Cl.**  
USPC ..... **D8/349**

(58) **Field of Classification Search**  
USPC ..... D8/349, 354, 382, 383, 384, 403; D25/113, 114, 119, 120–125, 131, 136, D25/199; D21/484, 486, 500, 501, 839, D21/468, 470, 471, 478, 479; D3/10  
CPC ... E04F 13/0826; E04F 13/12; E04F 13/0889; E04F 13/08; E04H 1/00; E04H 15/34; E04H 15/646; E04B 1/34326; E04B 2001/5856; E04B 2001/5875; Y10T  
(Continued)

(56) **References Cited**

**U.S. PATENT DOCUMENTS**

117,370 A \* 7/1871 Bates ..... E04H 15/44  
135/121  
D174,951 S \* 6/1955 Frishberg ..... 446/111  
(Continued)

**OTHER PUBLICATIONS**

Screen shots taken from www.keithpanel.com (Keith Panel Systems), accessed Mar. 6, 2017.

(Continued)

*Primary Examiner* — Jennifer Rivard

*Assistant Examiner* — Alison M Ofstun

(74) *Attorney, Agent, or Firm* — Peter L. Brewer; Thrive IP

(57) **CLAIM**

The ornamental design for a two-legged cube connector for wall panel system, as shown and described.

**DESCRIPTION**

FIG. 1 is a top perspective view of a first embodiment of a two-legged cube connector for wall panel system showing our new design.

FIG. 2 is a bottom perspective view thereof.

FIG. 3 is a front elevation view thereof.

FIG. 4 is a rear elevation view thereof.

FIG. 5 is a top plan view thereof.

FIG. 6 is a bottom plan view thereof.

FIG. 7 is a right side elevation view thereof.

FIG. 8 is a left side elevation view thereof.

FIG. 9 is a top perspective view of a second embodiment of a two-legged cube connector for wall panel system.

FIG. 10 is a bottom perspective view thereof.

FIG. 11 is a front elevation view thereof.

FIG. 12 is a rear elevation view thereof.

FIG. 13 is a top plan view thereof.

FIG. 14 is a bottom plan view thereof.

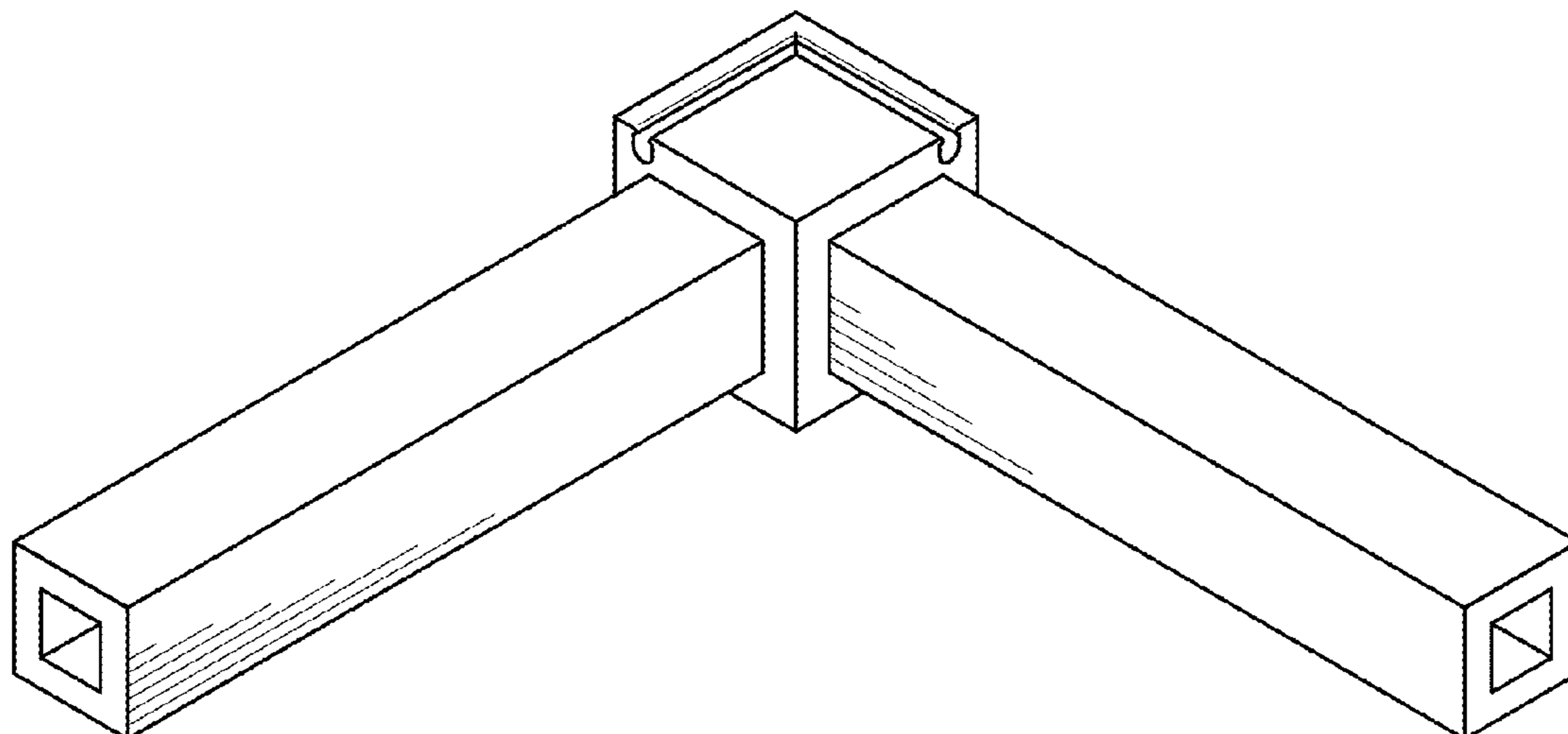
FIG. 15 is a right side elevation view thereof.

FIG. 16 is a left side elevation view thereof; and,

FIG. 17 is a perspective view thereof, shown in an environment of use.

The structural features shown in broken lines have been shown for the purpose of illustrating environment, and form no part of the claimed design.

**1 Claim, 9 Drawing Sheets**



(58) **Field of Classification Search**  
 CPC ..... 403/349; Y10T 403/341; Y10T 403/347;  
 Y10S 135/909  
 See application file for complete search history.

(56) **References Cited**

U.S. PATENT DOCUMENTS

2,869,692 A \* 1/1959 Hassett ..... B01D 46/10  
 446/127  
 2,926,941 A \* 3/1960 Thompson ..... A47B 47/0008  
 403/173  
 3,252,287 A \* 5/1966 Suzuki ..... E02B 3/129  
 273/160  
 3,424,178 A \* 1/1969 Yazaki ..... A01G 9/16  
 135/157  
 3,645,569 A \* 2/1972 Reilly ..... A47B 47/0008  
 403/217  
 D264,049 S \* 4/1982 Magner ..... D8/382  
 D272,766 S \* 2/1984 Guerriero ..... D25/68  
 4,439,960 A 4/1984 Jenkins  
 D306,690 S \* 3/1990 Bison ..... D8/373  
 4,999,960 A 3/1991 Herwegh et al.  
 5,067,293 A 11/1991 Reynolds  
 5,220,759 A 6/1993 Hossli  
 5,226,274 A 7/1993 Sommerstein  
 5,239,798 A 8/1993 Saito  
 5,263,292 A 11/1993 Holland et al.  
 D342,328 S \* 12/1993 Granstrom ..... D25/126  
 5,301,484 A 4/1994 Jansson  
 5,379,561 A 1/1995 Saito  
 D355,589 S \* 2/1995 Kuwata ..... D8/382  
 D360,267 S 7/1995 DiGiorgio  
 5,522,193 A 6/1996 Sommerstein et al.  
 D373,200 S 8/1996 Colitto  
 5,556,218 A \* 9/1996 Homer ..... E04B 1/5831  
 403/170  
 5,590,974 A \* 1/1997 Yang ..... A47B 47/005  
 403/171  
 D379,242 S 5/1997 Lin  
 D388,887 S 1/1998 Hersh et al.  
 D400,080 S 10/1998 Beard, Jr.  
 D405,197 S 2/1999 Arcati et al.  
 D417,737 S 12/1999 Stansfield  
 D423,910 S 5/2000 Cyrell  
 6,065,259 A 5/2000 Clear

D429,347 S 8/2000 Doyle et al.  
 D431,373 S \* 10/2000 Zappitelli ..... D21/479  
 D461,014 S 7/2002 Marshall  
 6,427,408 B1 8/2002 Krieger  
 6,484,465 B2 11/2002 Higgins  
 D491,450 S \* 6/2004 Braun ..... D8/382  
 6,748,709 B1 6/2004 Sherman et al.  
 D496,248 S 9/2004 Liebendorfer  
 D501,936 S 2/2005 Kim  
 D583,219 S \* 12/2008 Dagg ..... D8/349  
 D592,492 S \* 5/2009 Werschmidt ..... D8/382  
 D619,447 S 7/2010 Liu  
 D619,880 S 7/2010 MacDonald et al.  
 D622,864 S \* 8/2010 Bajrami ..... D25/35  
 D626,663 S 11/2010 Stephens  
 8,166,716 B2 5/2012 Macdonald et al.  
 D662,805 S 7/2012 Macdonald et al.  
 D666,321 S 8/2012 Morton  
 D675,046 S 1/2013 Kloppers  
 D692,592 S 10/2013 Kosonen  
 8,595,996 B2 12/2013 Korman et al.  
 8,745,941 B2 6/2014 Macdonald et al.  
 D718,888 S 12/2014 Schwarz et al.  
 D731,677 S 6/2015 Bernier  
 9,068,358 B2 6/2015 Macdonald et al.  
 D736,958 S 8/2015 Chaney et al.  
 9,163,394 B1 \* 10/2015 Barker ..... E04H 6/025  
 D744,667 S 12/2015 Macdonald et al.  
 D745,192 S 12/2015 Suciu et al.  
 D760,403 S 6/2016 Bilge  
 D767,786 S 9/2016 Smith  
 D778,465 S 2/2017 Zombek  
 D783,390 S \* 4/2017 Nelson ..... D8/349  
 D815,300 S \* 4/2018 Lin ..... F16B 7/10  
 D25/38.1  
 2006/0029462 A1 \* 2/2006 Patberg ..... B62D 23/005  
 403/171  
 2007/0119105 A1 5/2007 MacDonald et al.

OTHER PUBLICATIONS

Screen shots taken from www.dri-design.com (Dri-Design Wall Panel System), accessed Mar. 6, 2017.  
 Screen shots taken from www.elward.com (Elward Systems Corporation), accessed Mar. 6, 2016.

\* cited by examiner

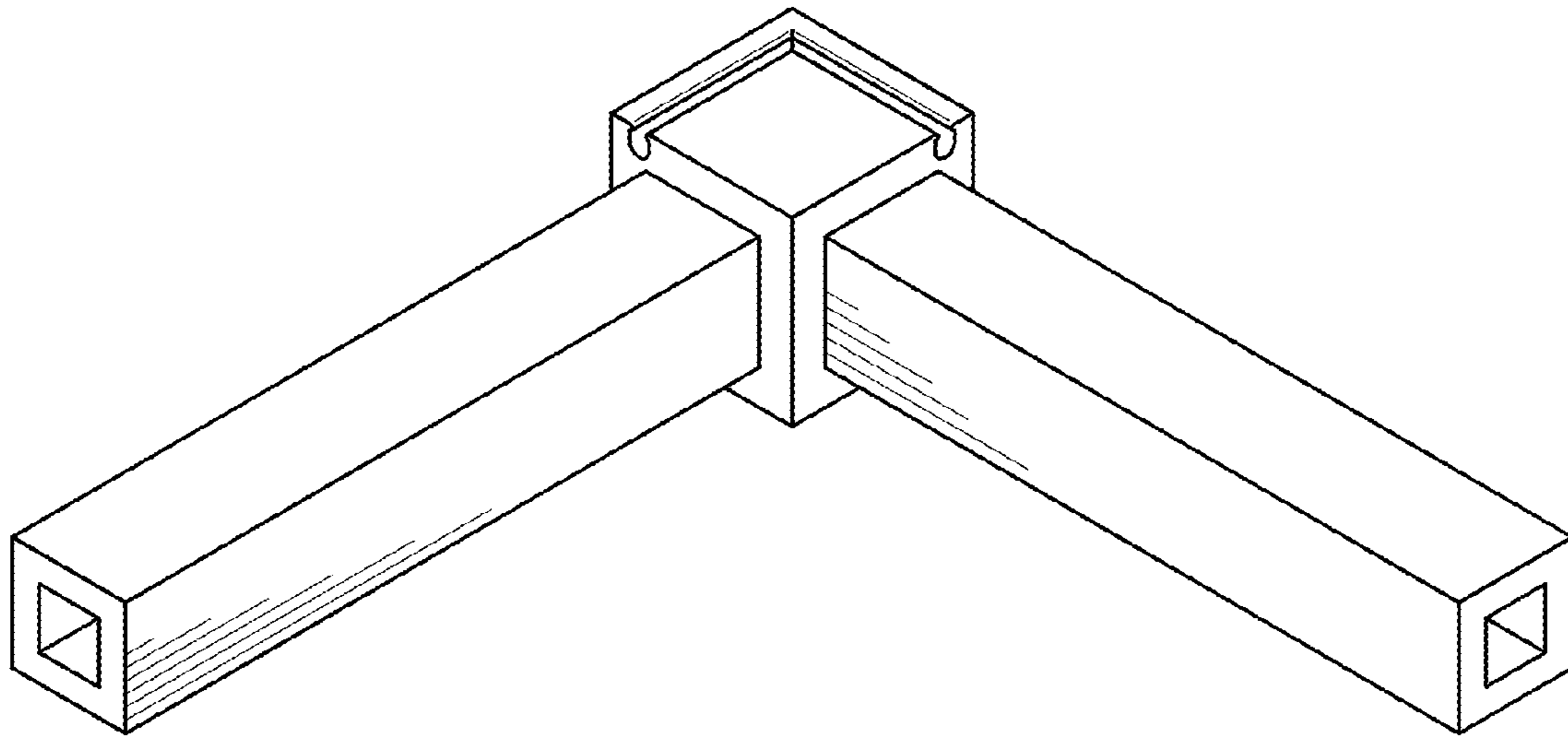


FIG. 1

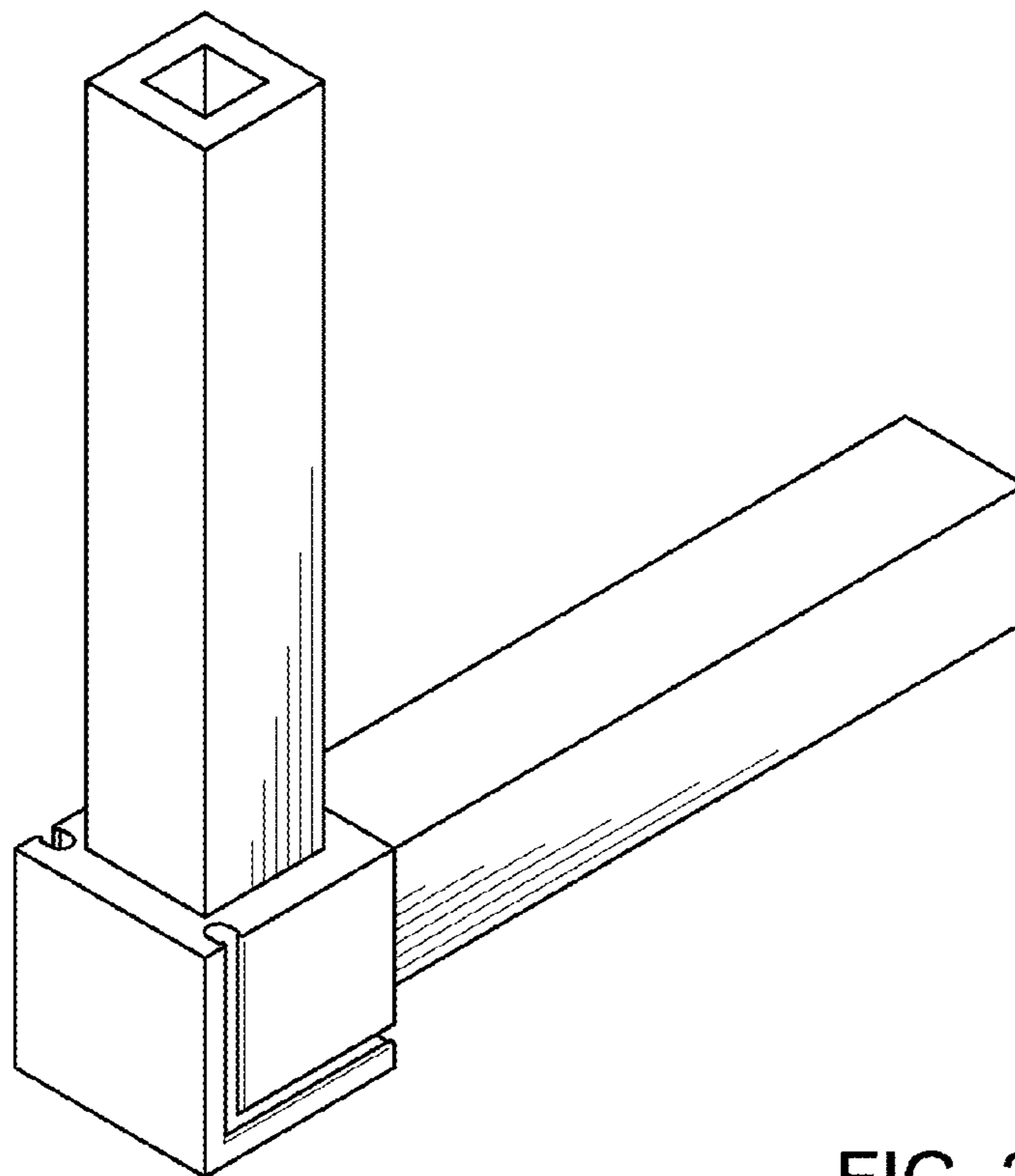


FIG. 2

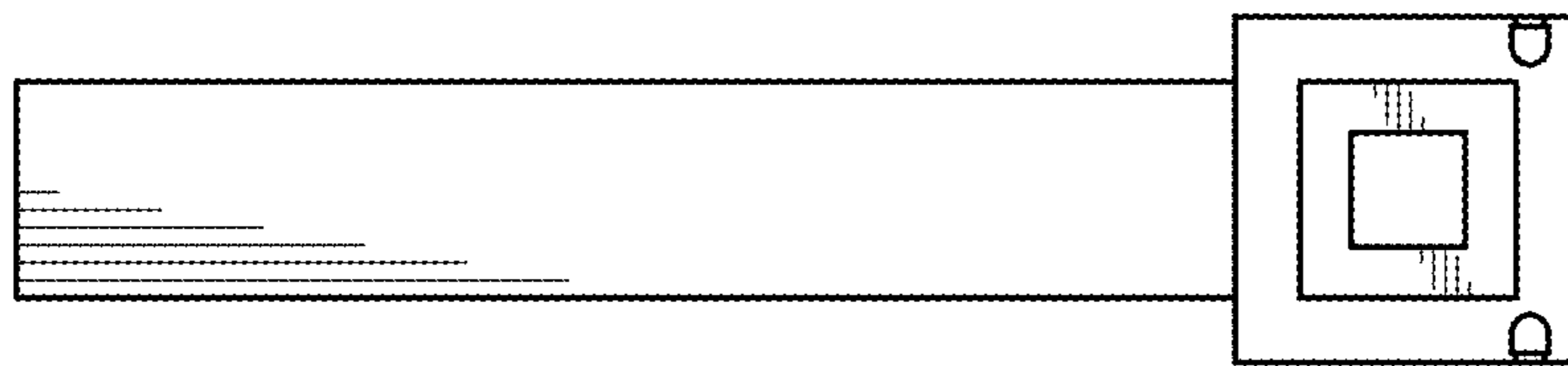


FIG. 3

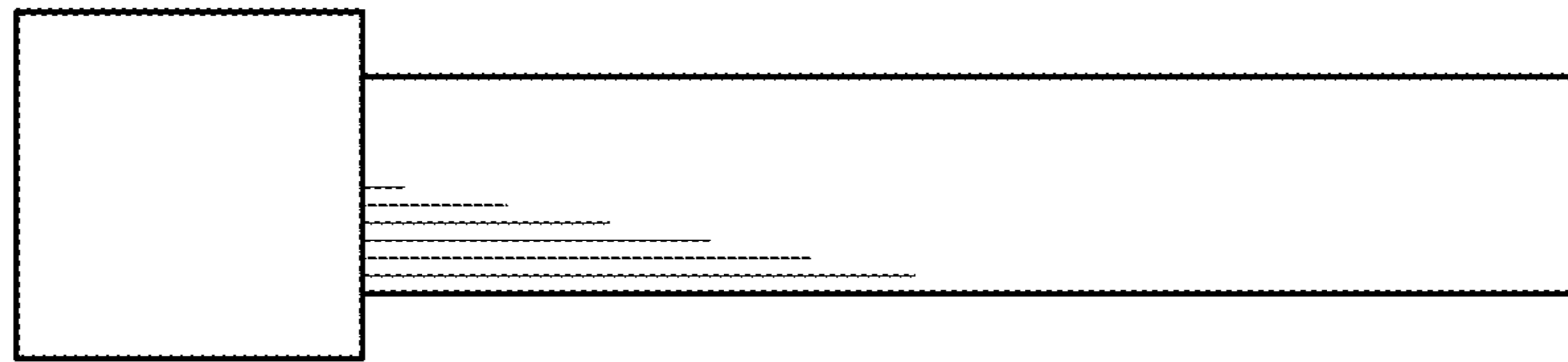


FIG. 4



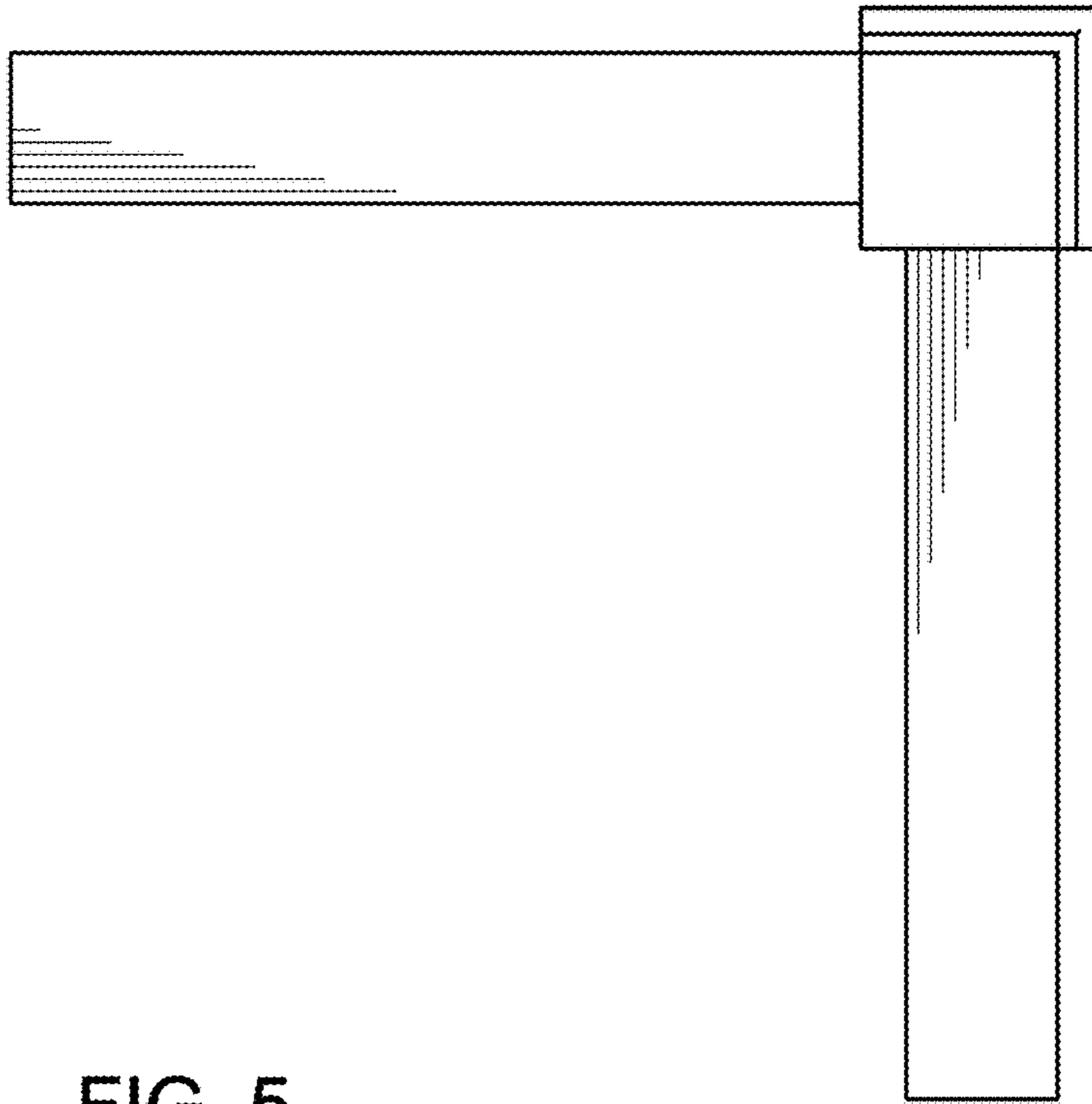


FIG. 5

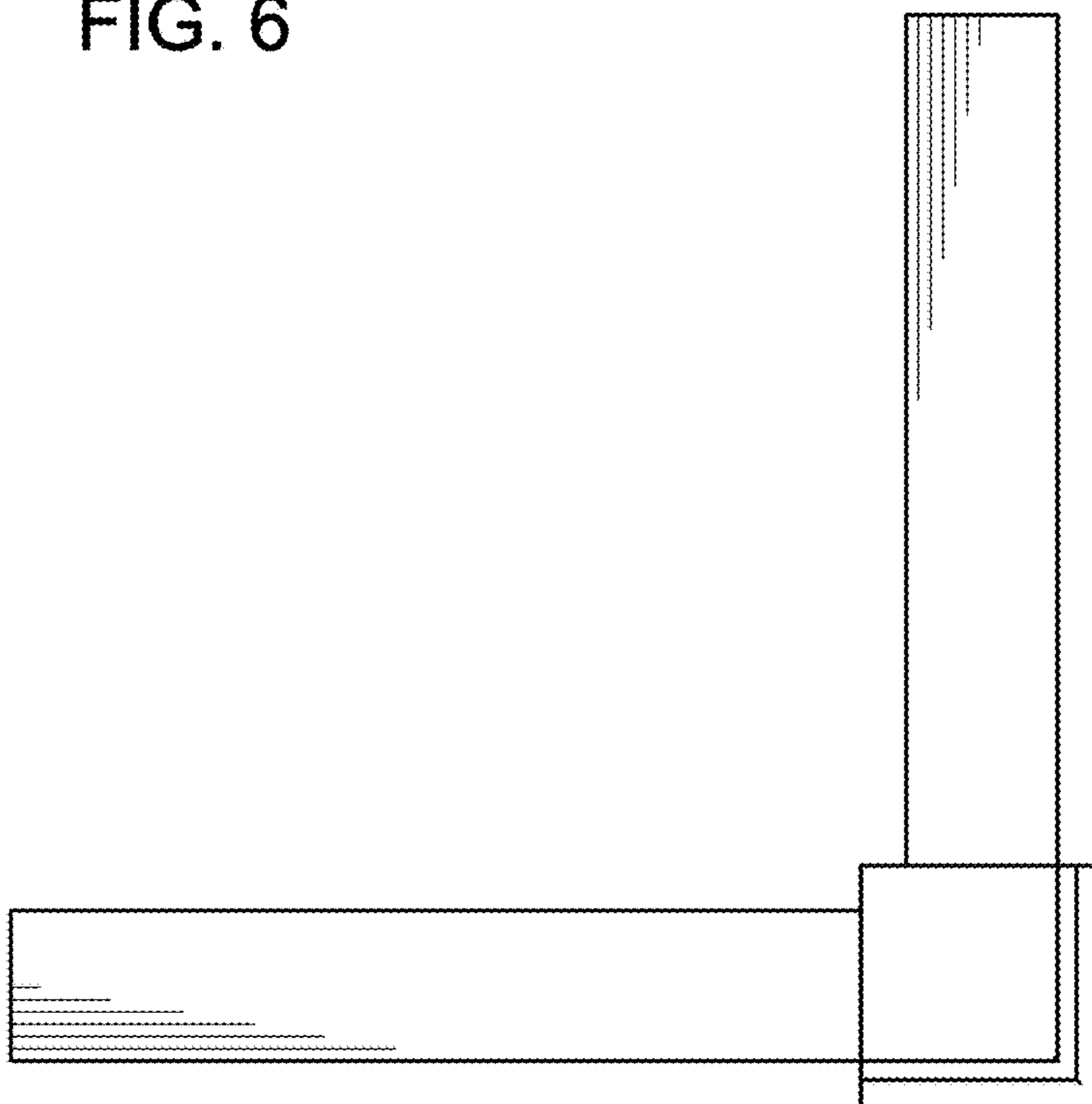


FIG. 6

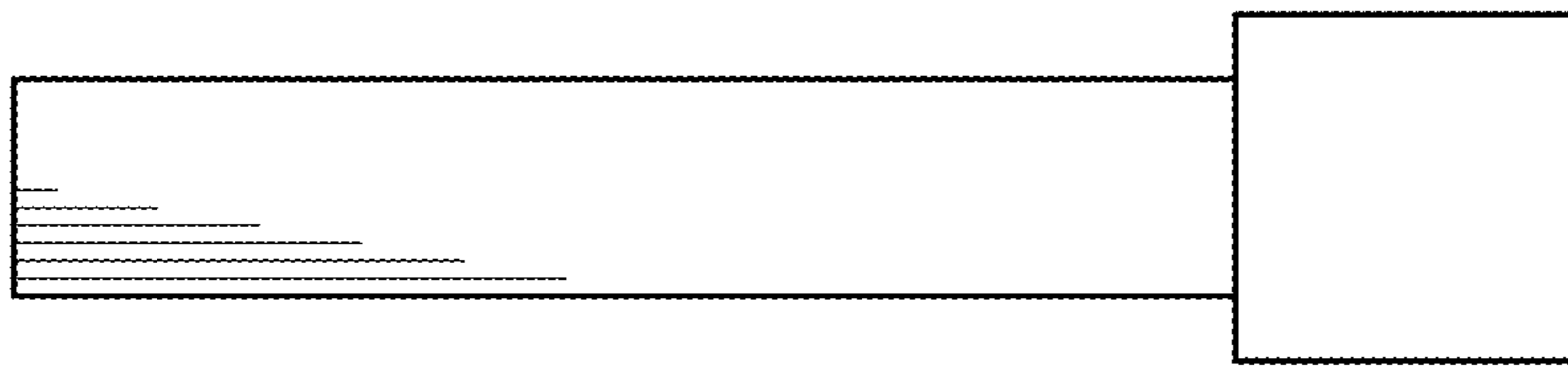


FIG. 7

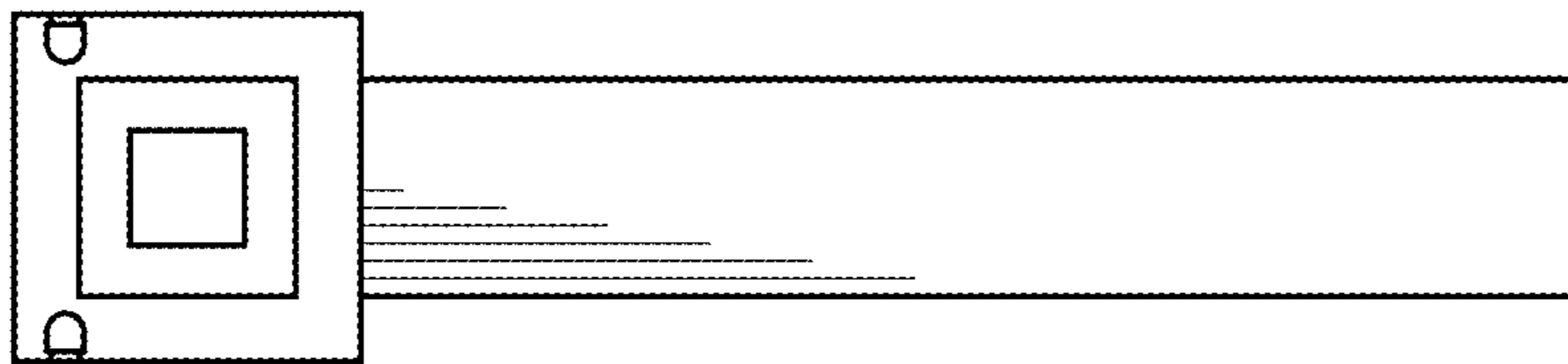


FIG. 8

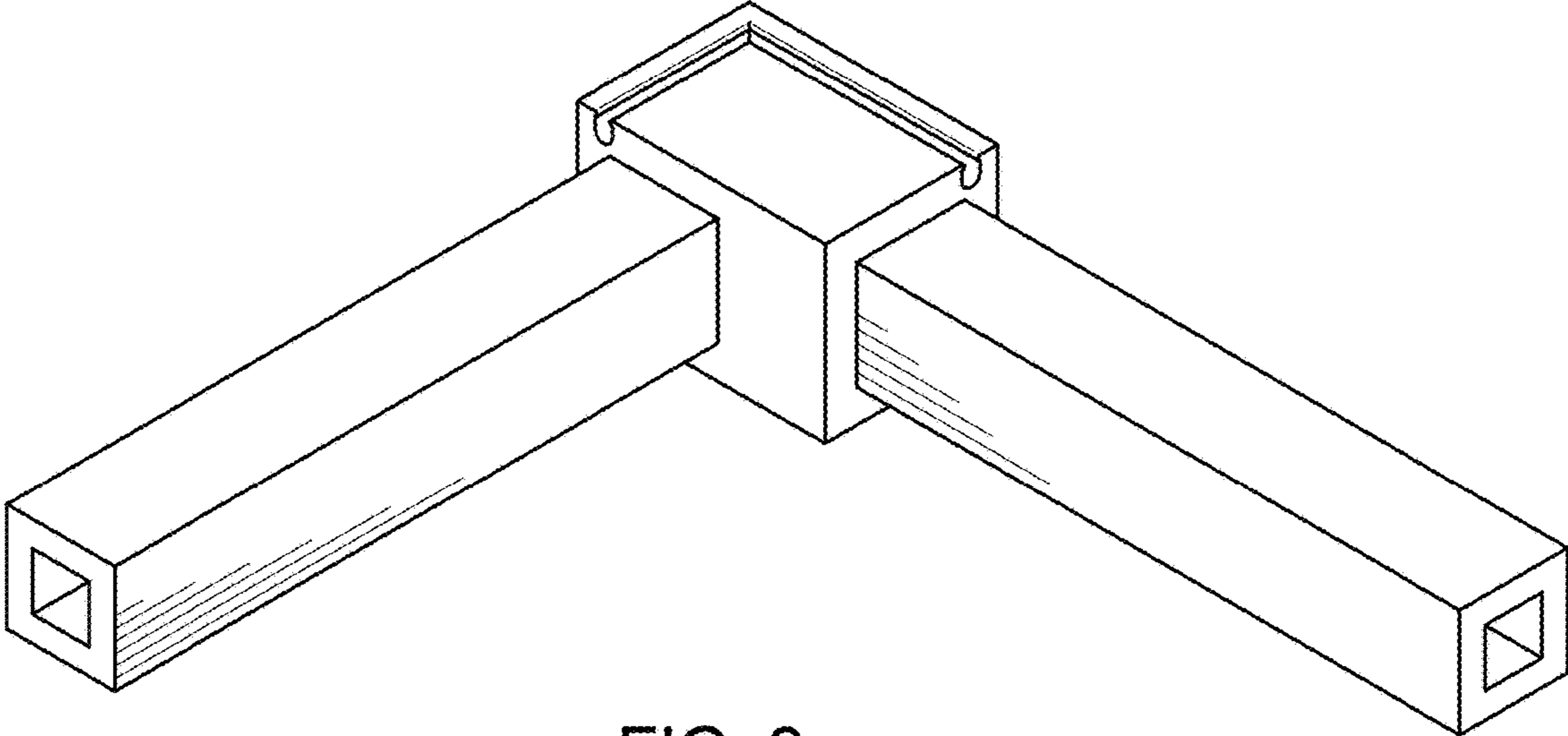


FIG. 9

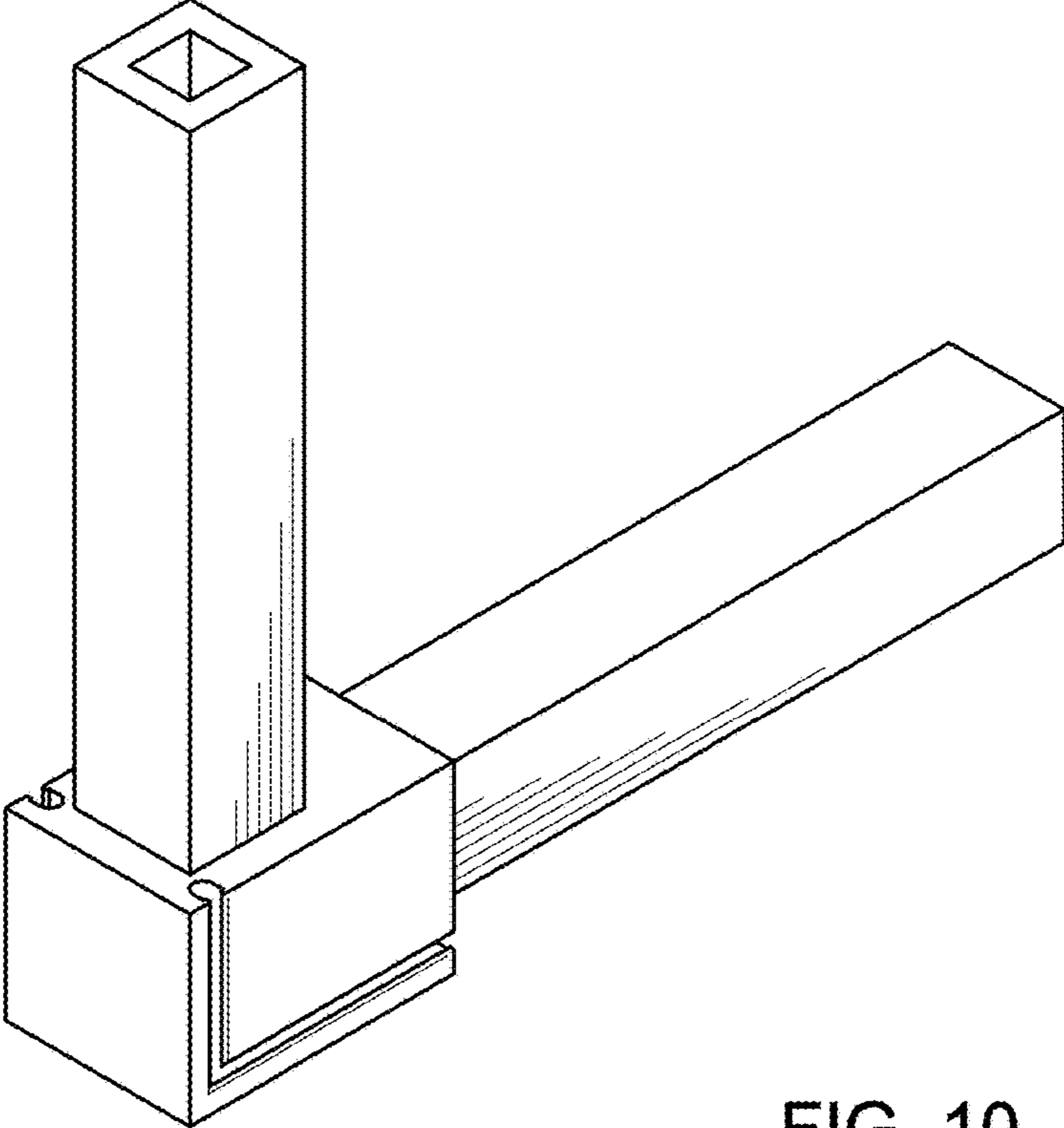


FIG. 10

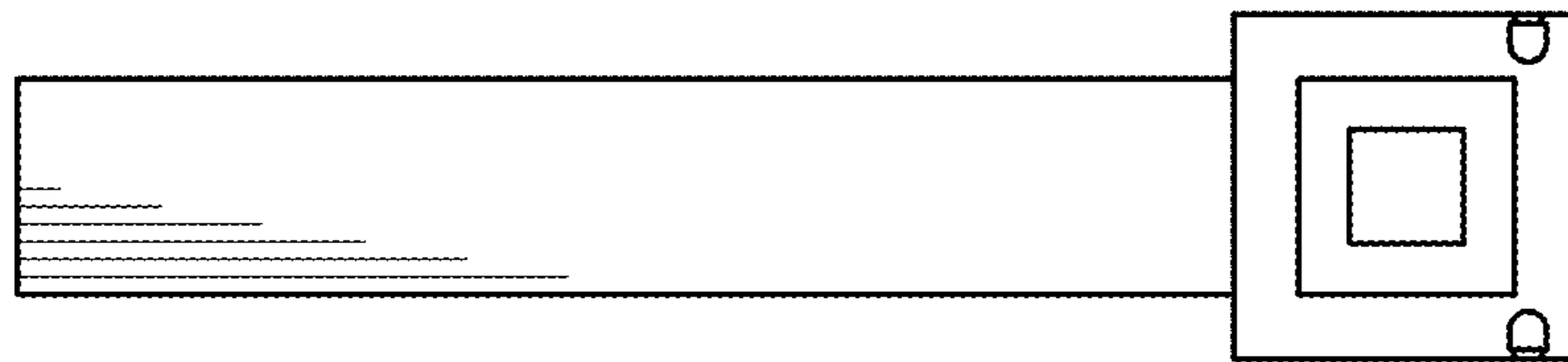


FIG. 11

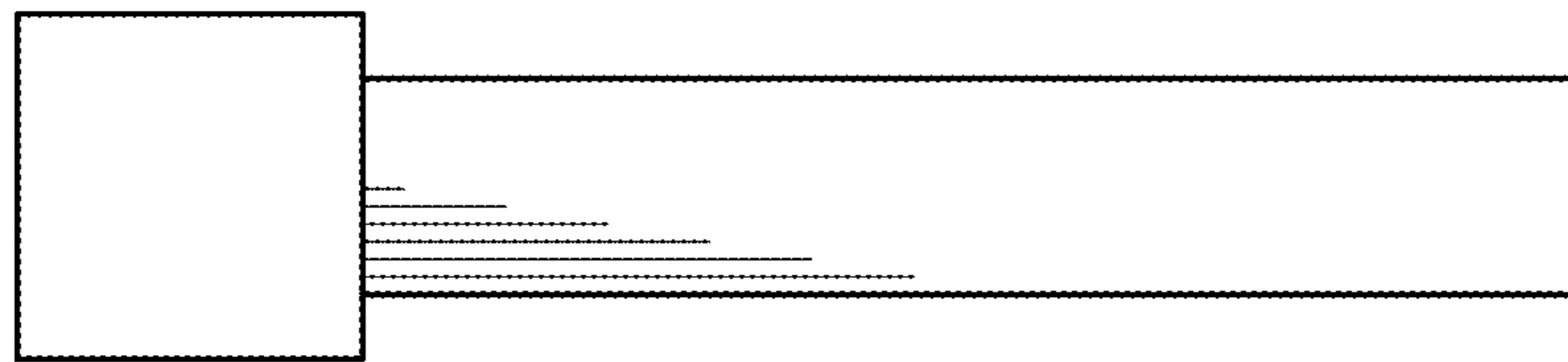


FIG. 12



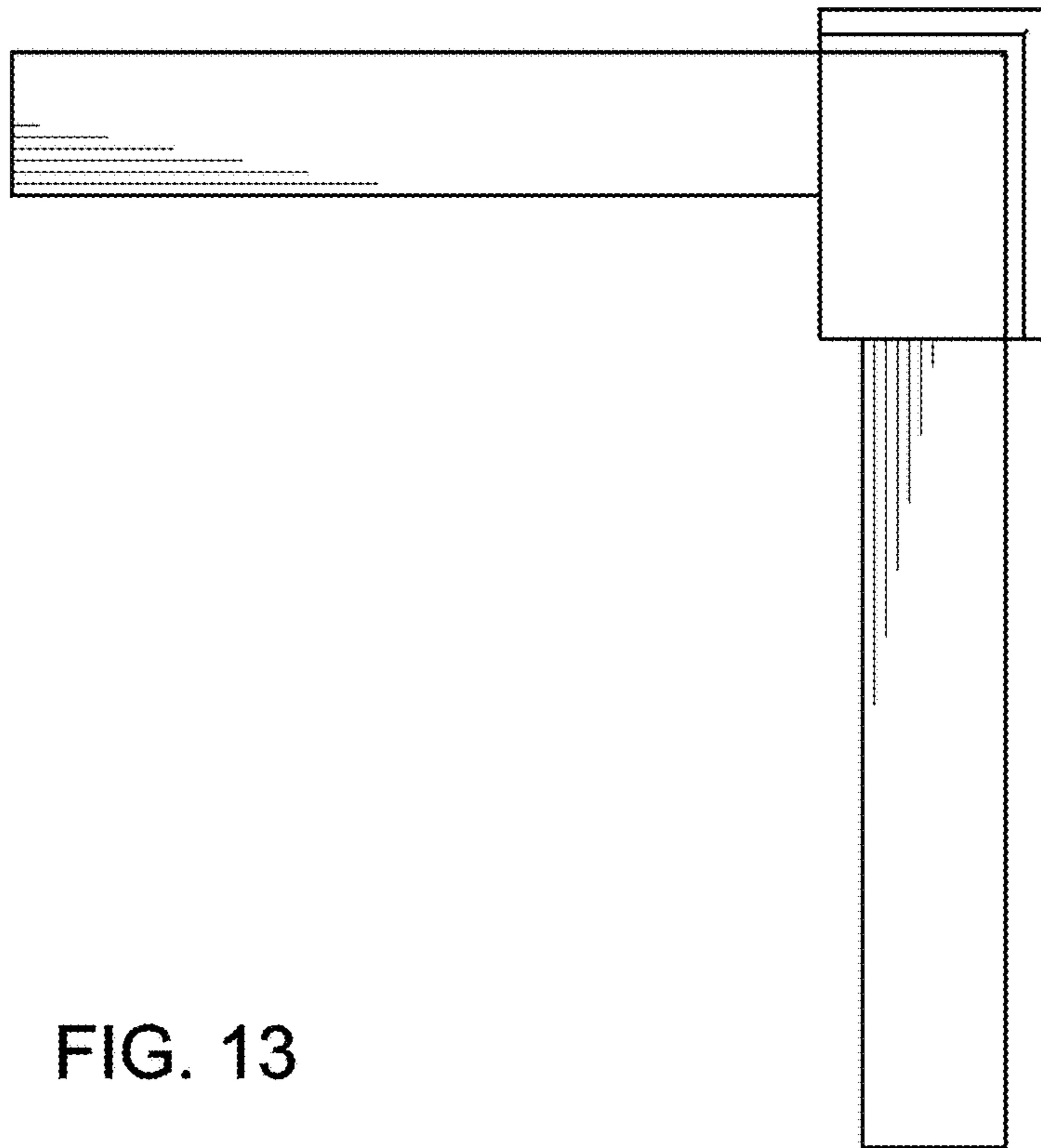


FIG. 13

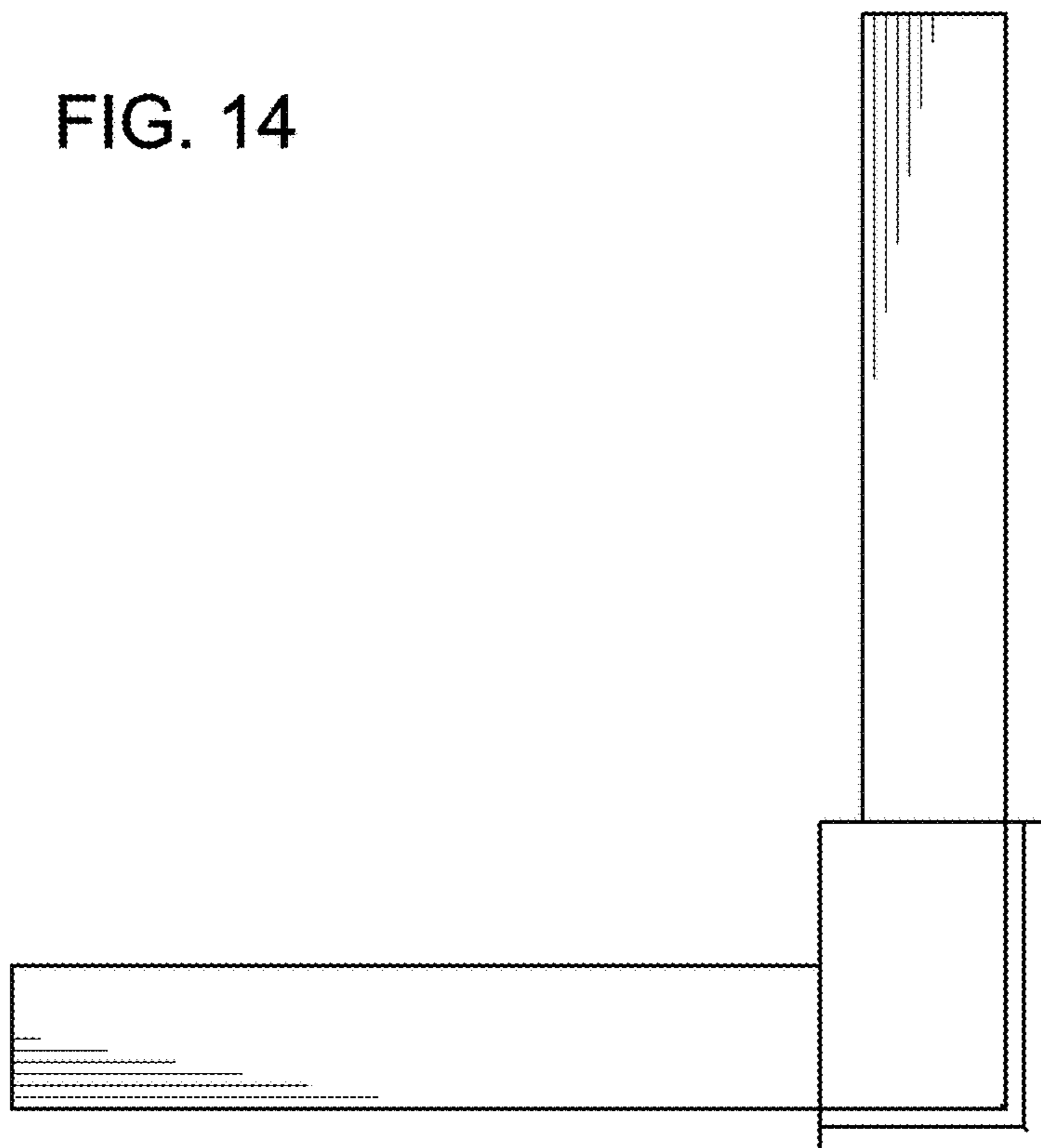


FIG. 14

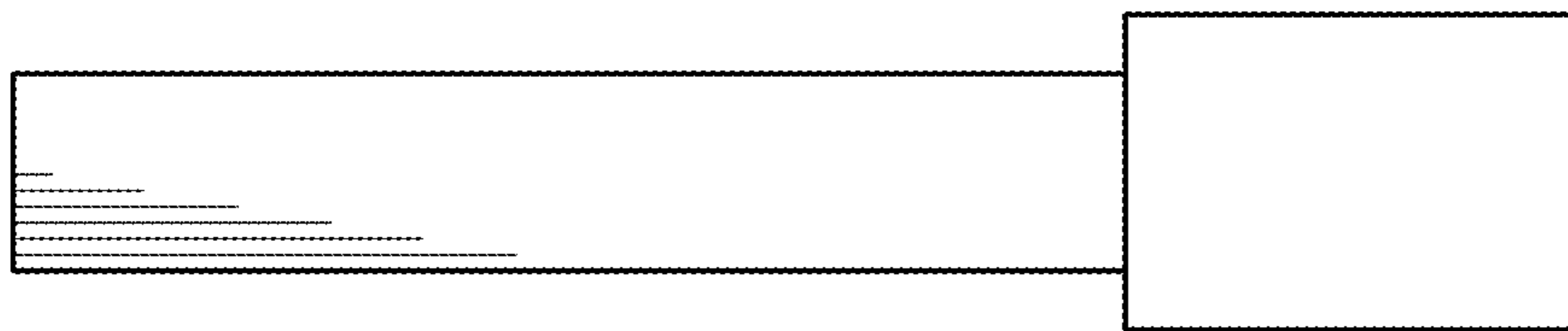


FIG. 15

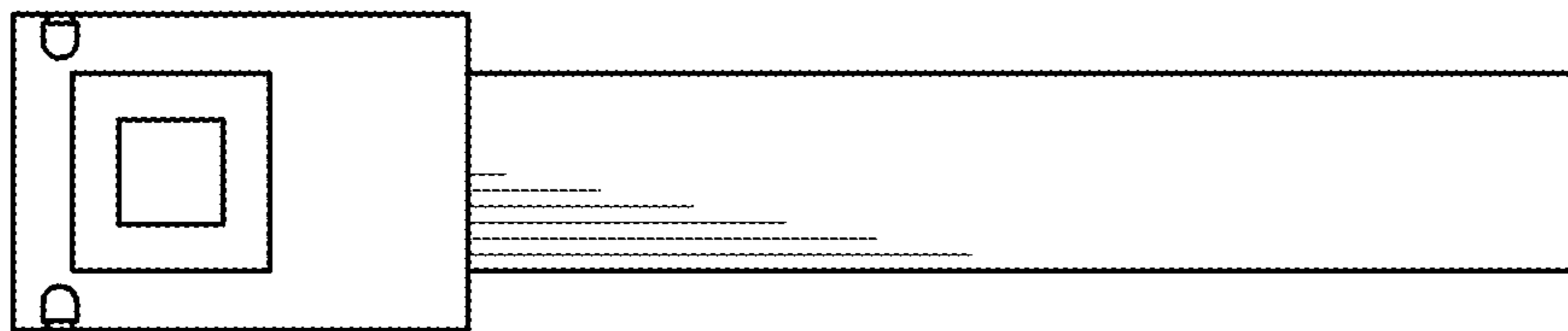


FIG. 16

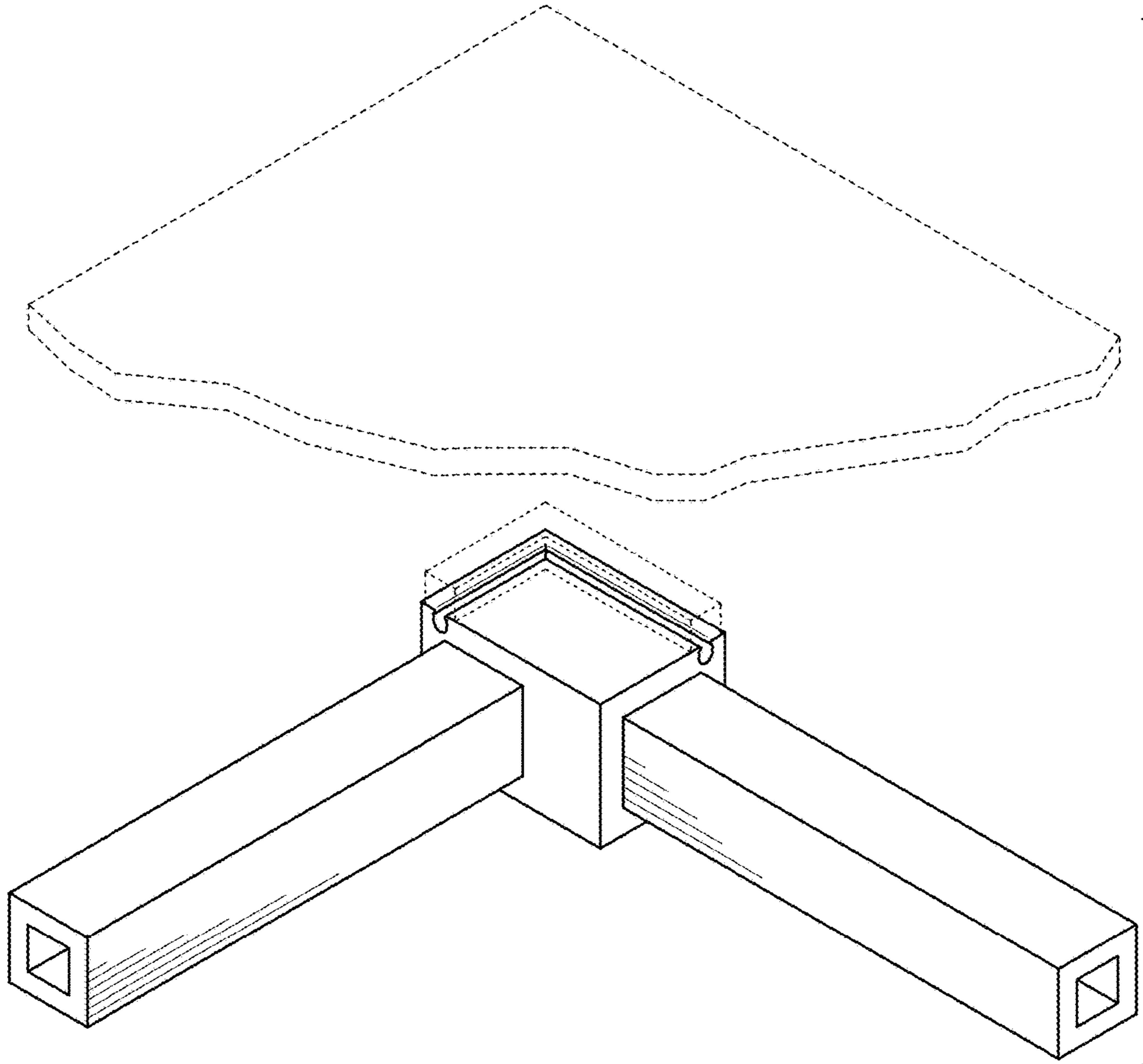


FIG. 17