

US00D823665S

(12) **United States Design Patent**  
**Scholey et al.**

(10) **Patent No.:** **US D823,665 S**  
(45) **Date of Patent:** **\*\* Jul. 24, 2018**

- (54) **TOOL PACK COVER**
- (71) Applicant: **Stolle Machinery Company, LLC**,  
Centennial, CO (US)
- (72) Inventors: **Ian Kenneth Scholey**, Lone Tree, CO  
(US); **Karl S. Fleischer**, Denver, CO  
(US); **Alan W. Cleveland**, Firestone,  
CO (US)
- (73) Assignee: **Stolle Machinery Company, LLC**,  
Centennial, CO (US)
- (\*\*) Term: **15 Years**
- (21) Appl. No.: **29/601,640**
- (22) Filed: **Apr. 25, 2017**
- (51) **LOC (11) Cl.** ..... **08-07**
- (52) **U.S. Cl.**  
USPC ..... **D8/343**
- (58) **Field of Classification Search**  
USPC ..... D8/330, 343, 346, 349, 466; D3/201,  
D3/205, 905; 70/431, 14, 466  
CPC ... E05C 1/00; E05C 21/00; E06C 7/00; E05B  
15/00  
See application file for complete search history.

- 6,409,015 B1 \* 6/2002 Hu ..... B65D 73/0064  
206/349
- 8,356,540 B2 \* 1/2013 Priebe ..... F41H 5/08  
89/36.01
- D684,769 S \* 6/2013 Fatscher ..... D3/273
- D695,590 S \* 12/2013 Poillot ..... D8/343
- 9,248,566 B2 \* 2/2016 Horiyama ..... B25H 3/02
- 9,302,374 B1 \* 4/2016 Cusenza ..... B25B 13/58
- 9,545,147 B2 \* 1/2017 Sadai ..... H04B 1/3888
- D778,707 S \* 2/2017 Tonelli ..... D8/330
- 9,565,912 B2 \* 2/2017 Fatscher ..... A45C 13/002

\* cited by examiner

*Primary Examiner* — Prabhakar G Deshmukh

(74) *Attorney, Agent, or Firm* — Eckert Seamans Cherin  
& Mellott, LLC; David C. Jenkins

(57) **CLAIM**

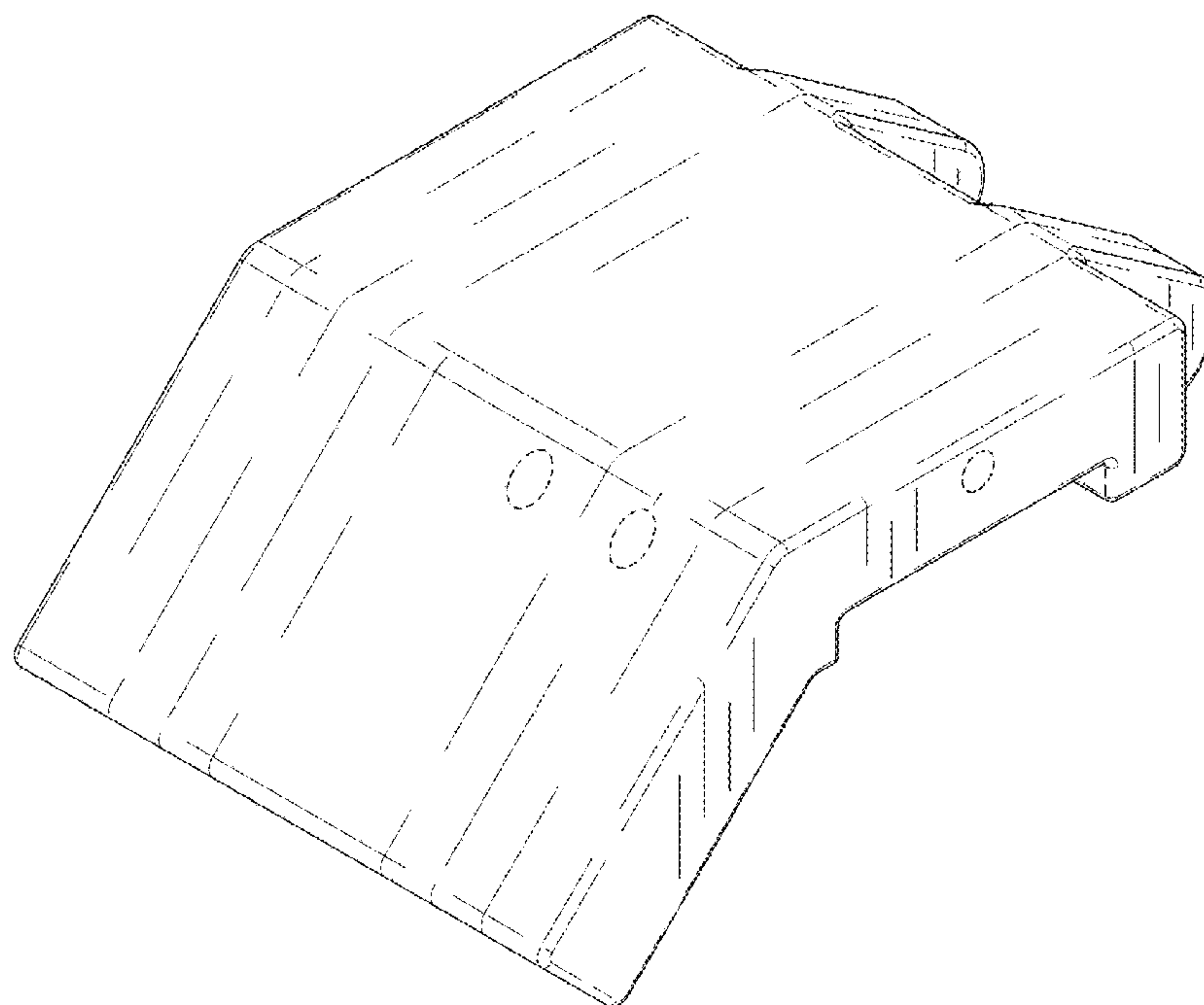
The ornamental design for a tool pack cover, as shown and  
described.

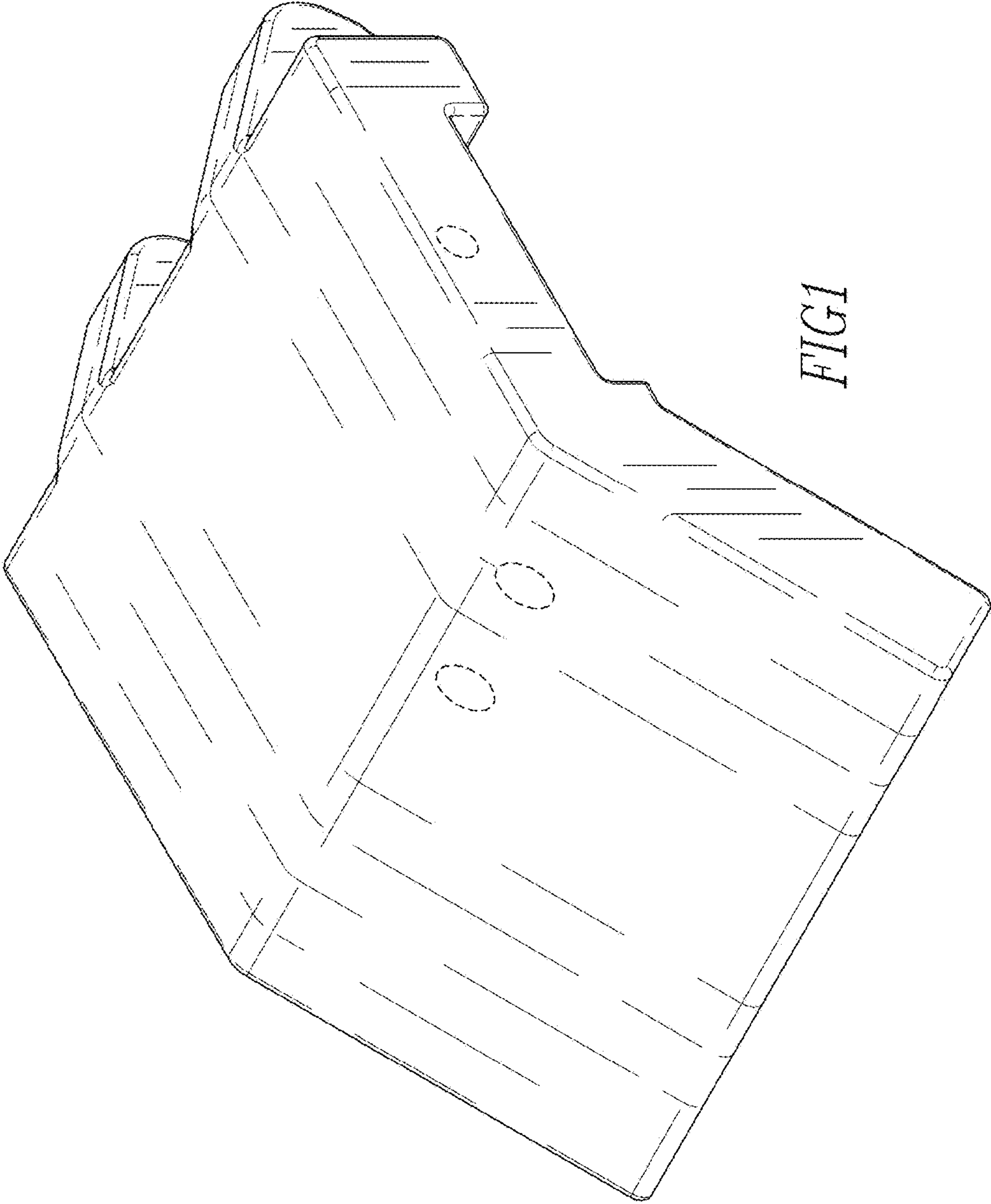
**DESCRIPTION**

FIG. 1 is an isometric view of a tool pack cover;  
 FIG. 2 is another isometric view of the tool pack cover;  
 FIG. 3 is another isometric view of the tool pack cover;  
 FIG. 4 is another isometric view of the tool pack cover;  
 FIG. 5 is a top view of the tool pack cover;  
 FIG. 6 is a back view of the tool pack cover;  
 FIG. 7 is a front view of the tool pack cover;  
 FIG. 8 is a bottom view of the tool pack cover;  
 FIG. 9 is a left view of the tool pack cover; and,  
 FIG. 10 is a right view of the tool pack cover.  
 The broken lines in the drawings depict environmental  
 subject matter only and form no part of the claimed design.

- (56) **References Cited**  
U.S. PATENT DOCUMENTS  
6,199,460 B1 \* 3/2001 Lo ..... B25G 1/10  
81/177.1  
6,325,120 B1 \* 12/2001 Douglas ..... B25H 3/003  
150/154

**1 Claim, 8 Drawing Sheets**





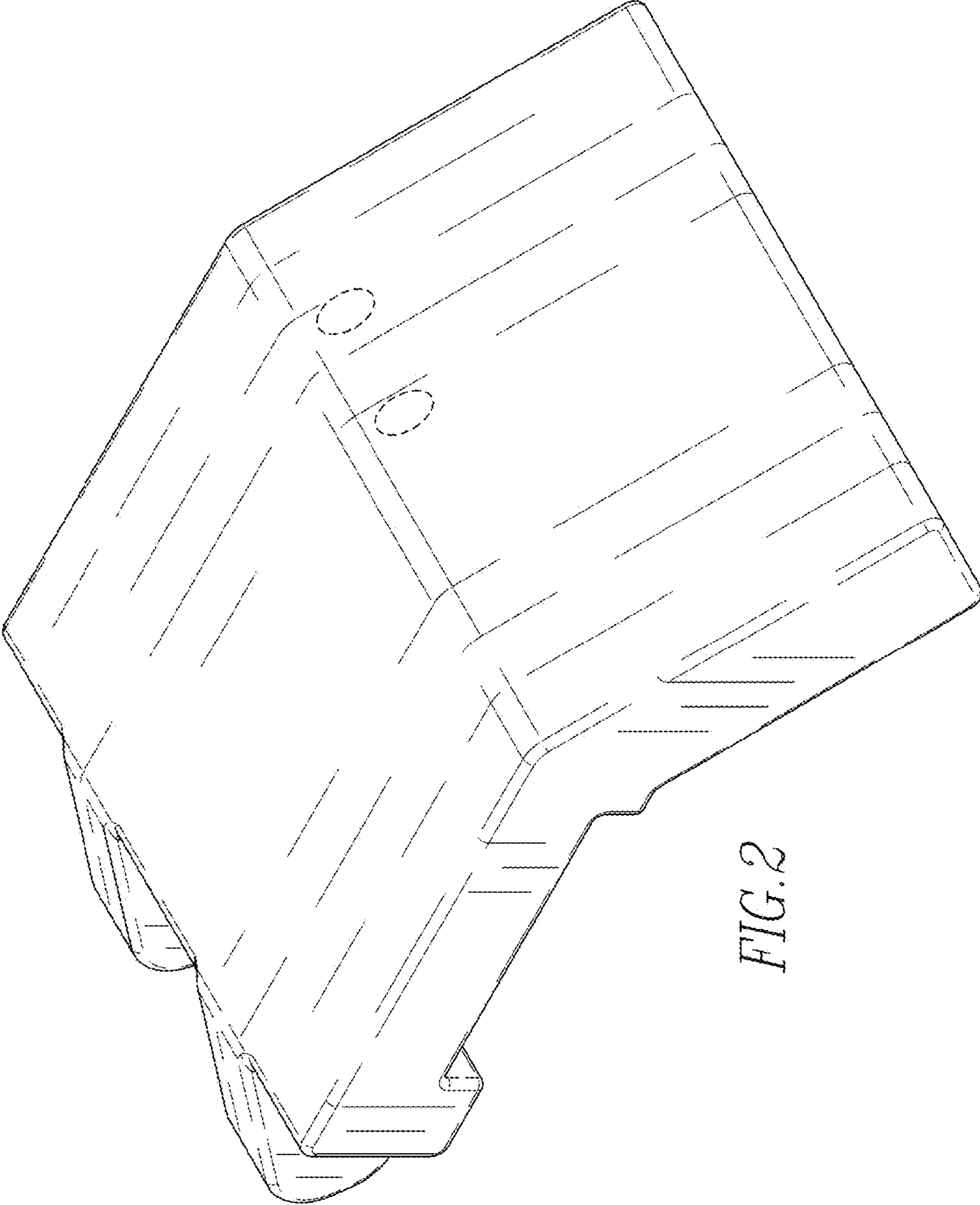


FIG. 2

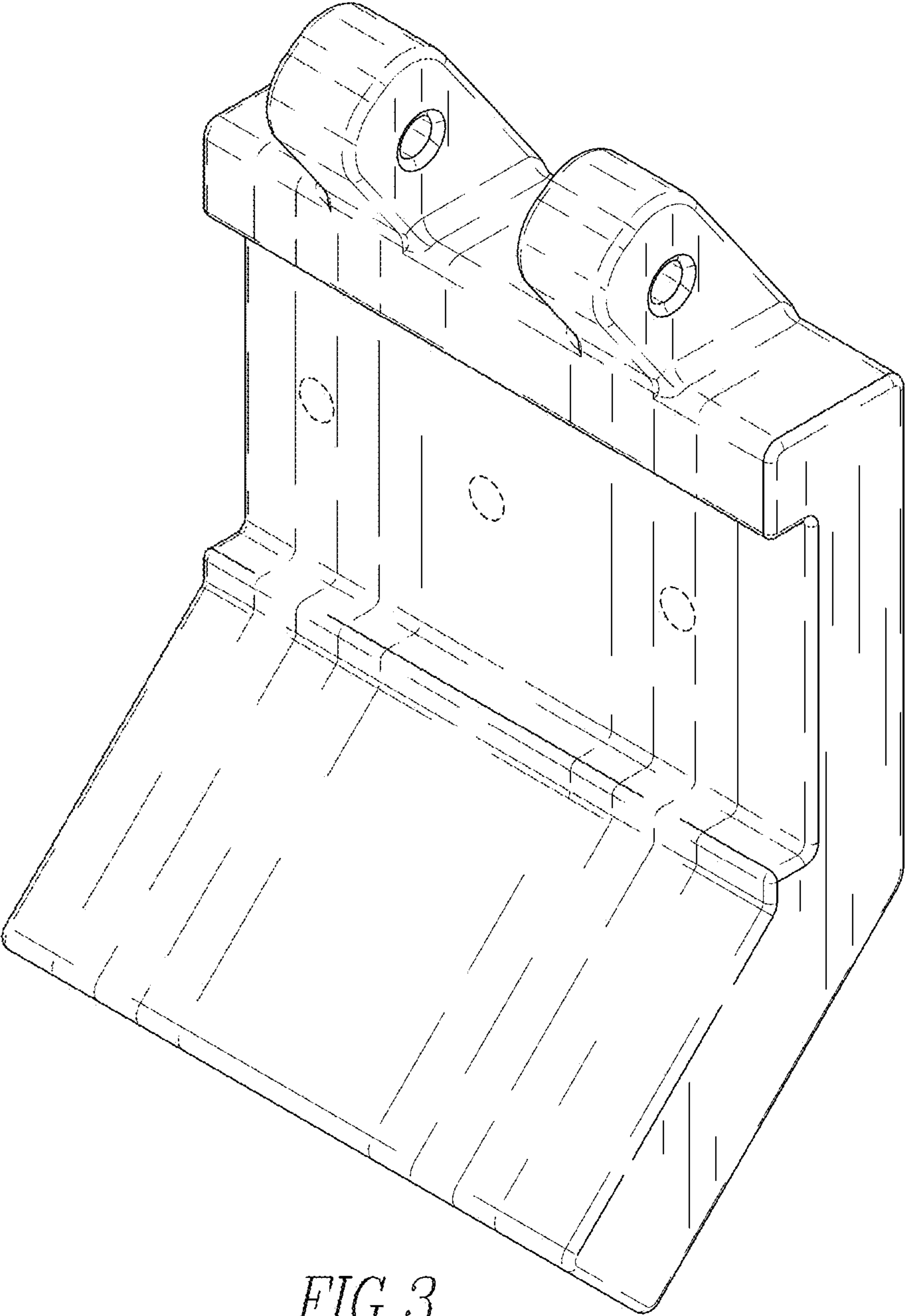


FIG. 3

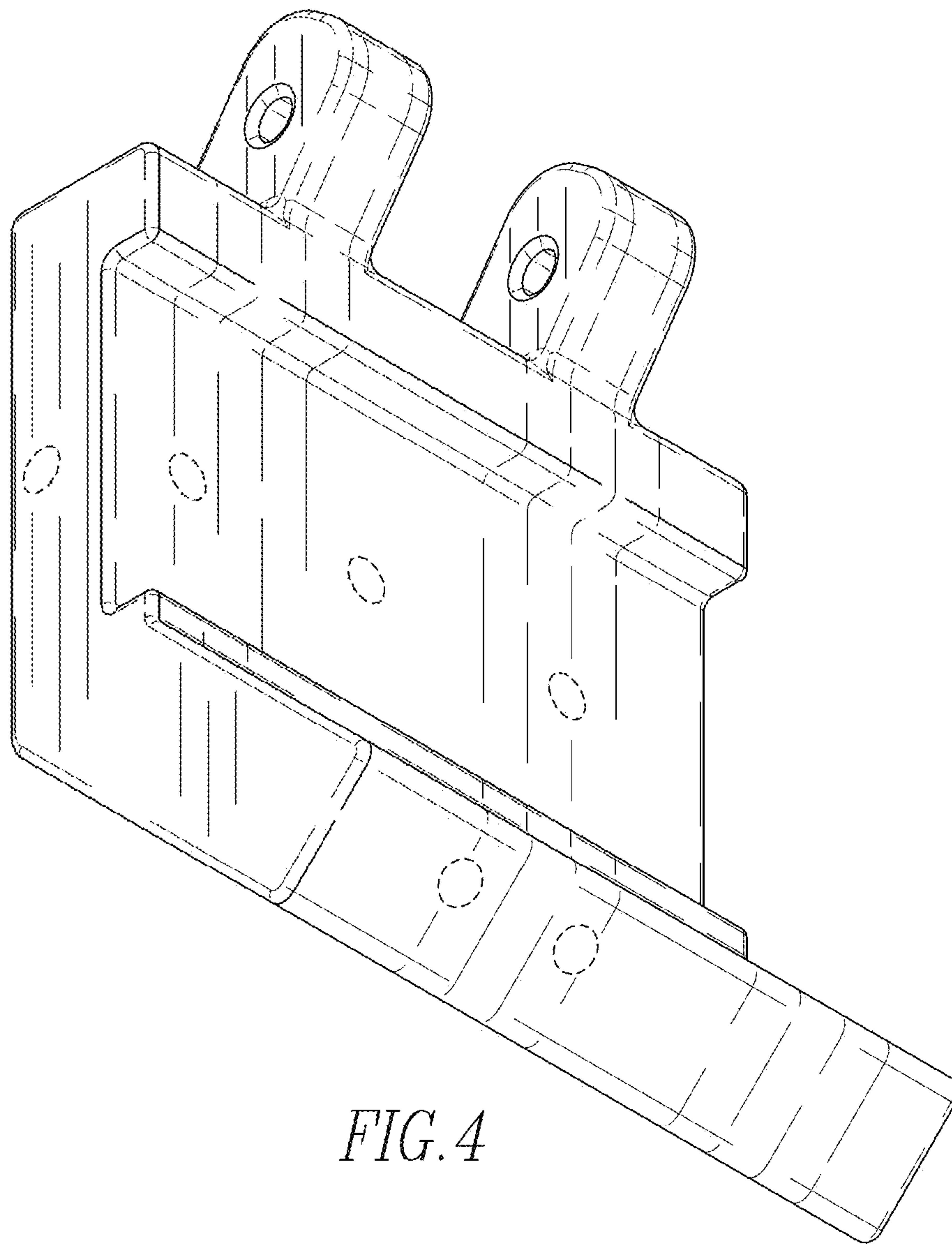


FIG. 4



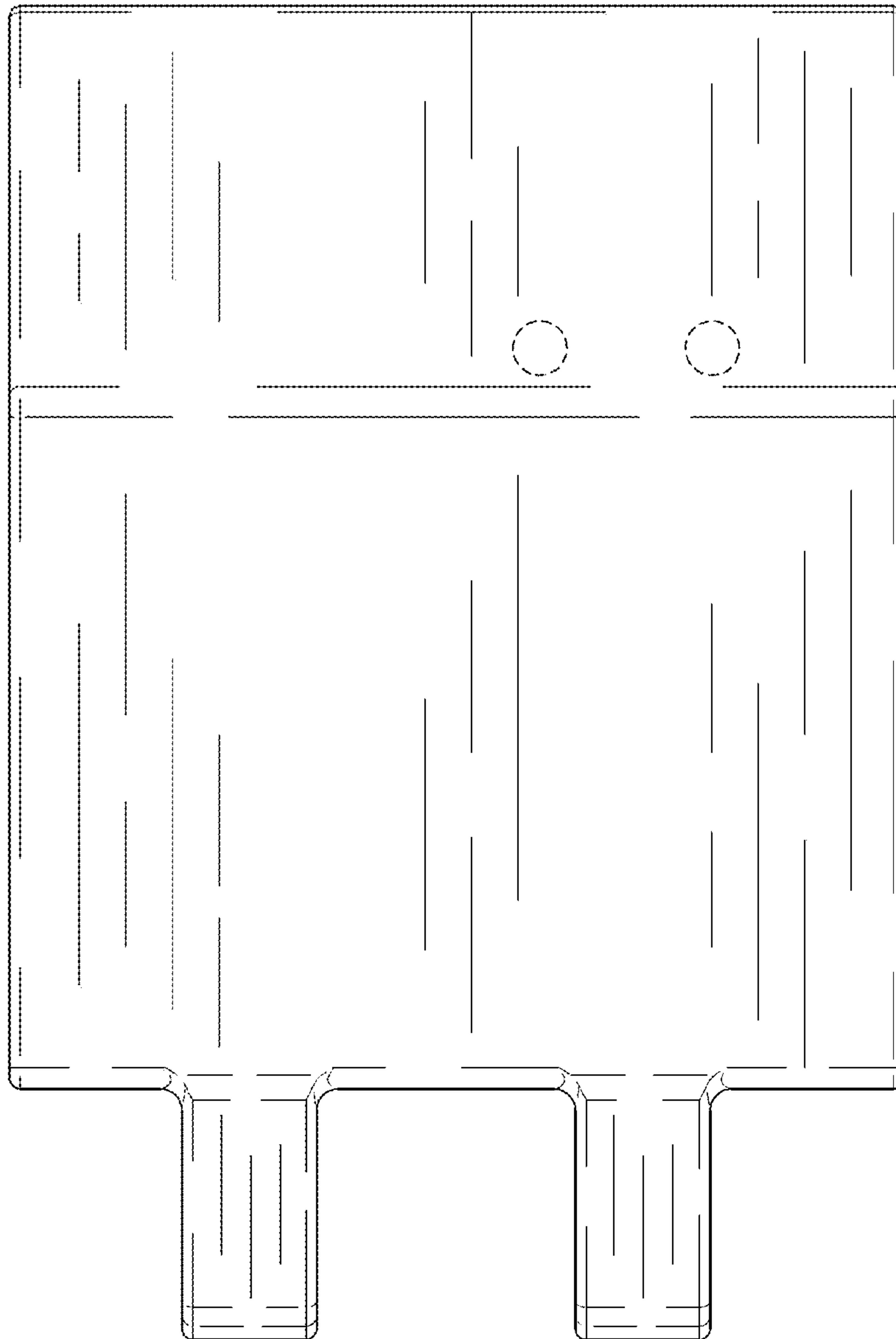


FIG. 5

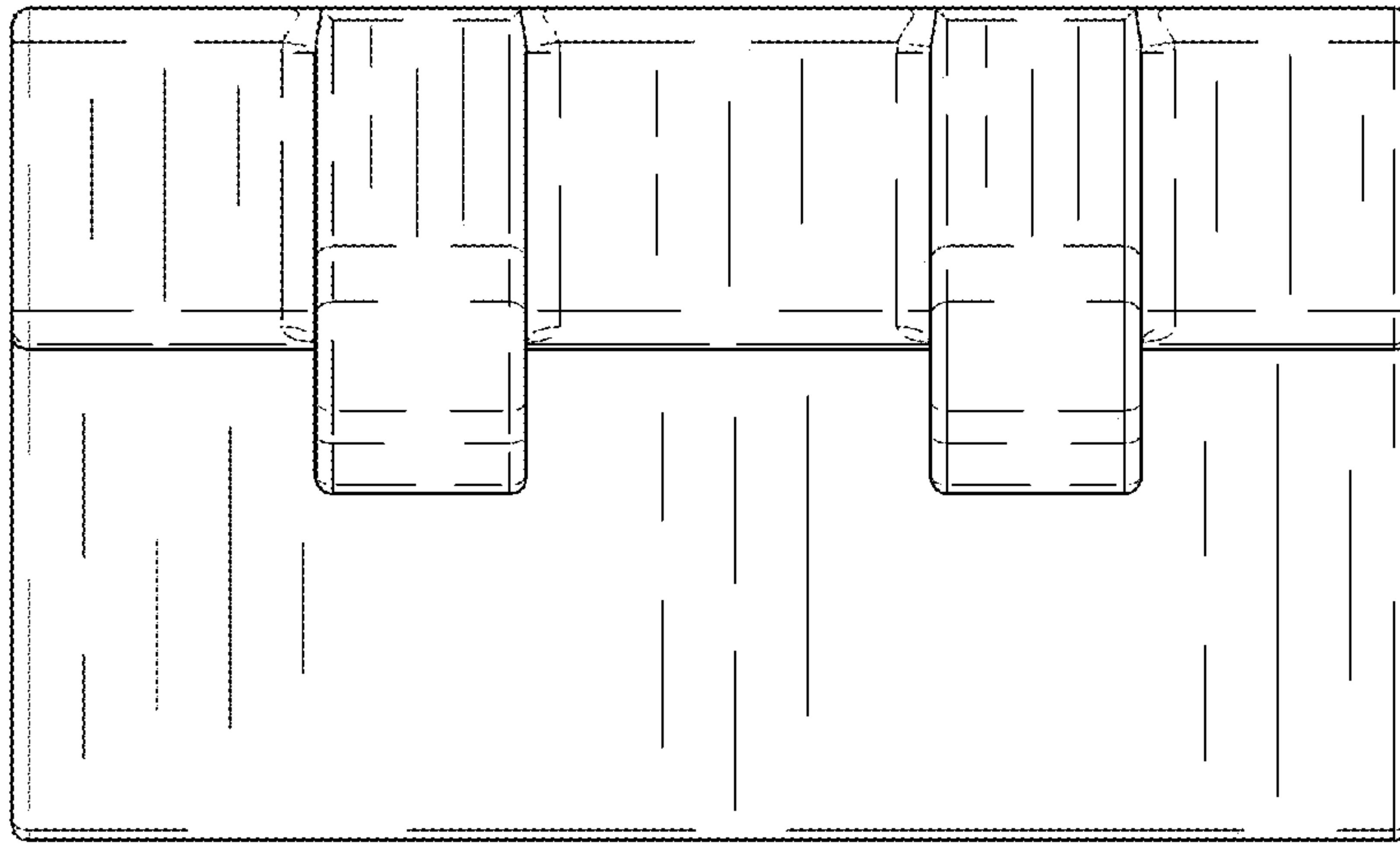


FIG. 6

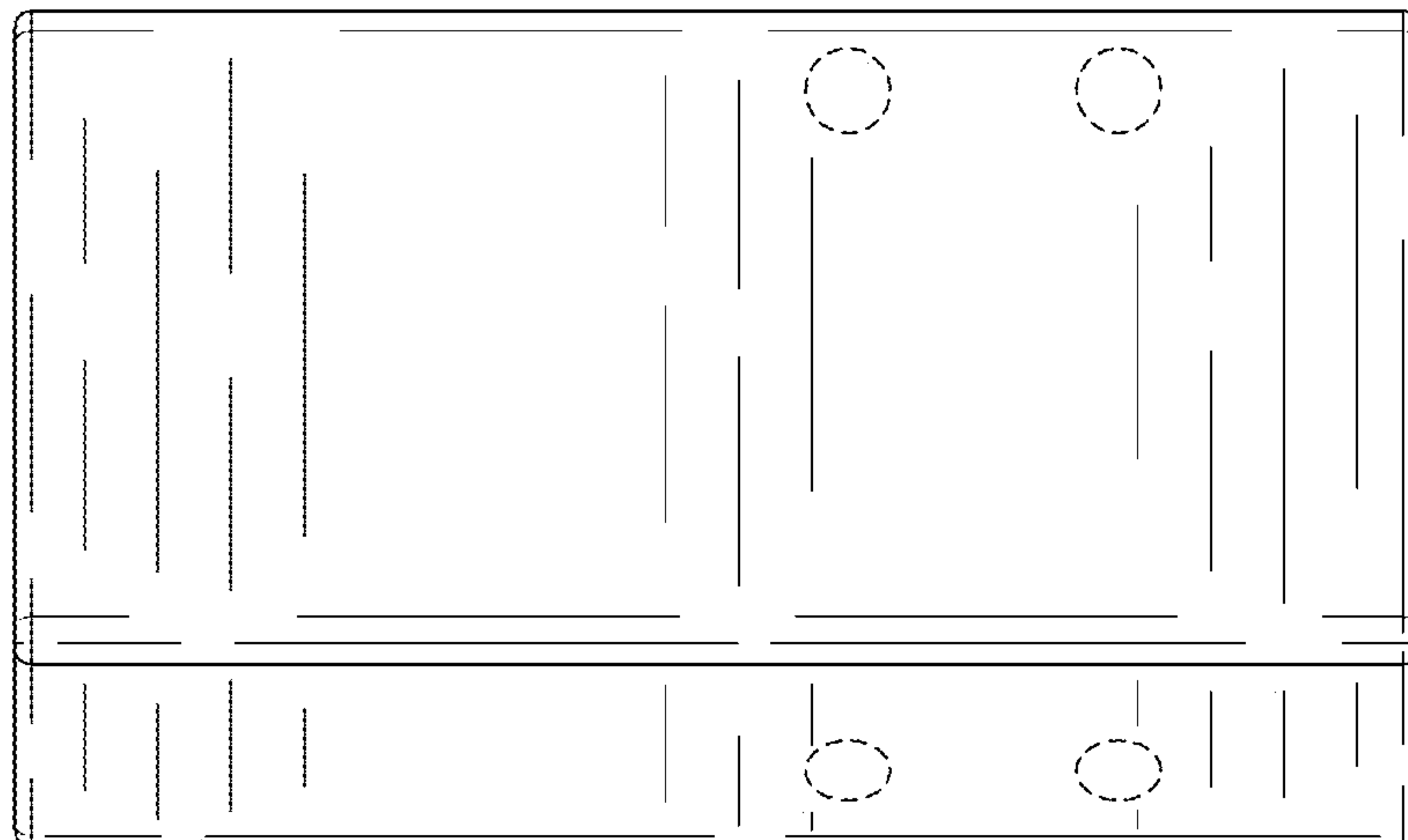


FIG. 7

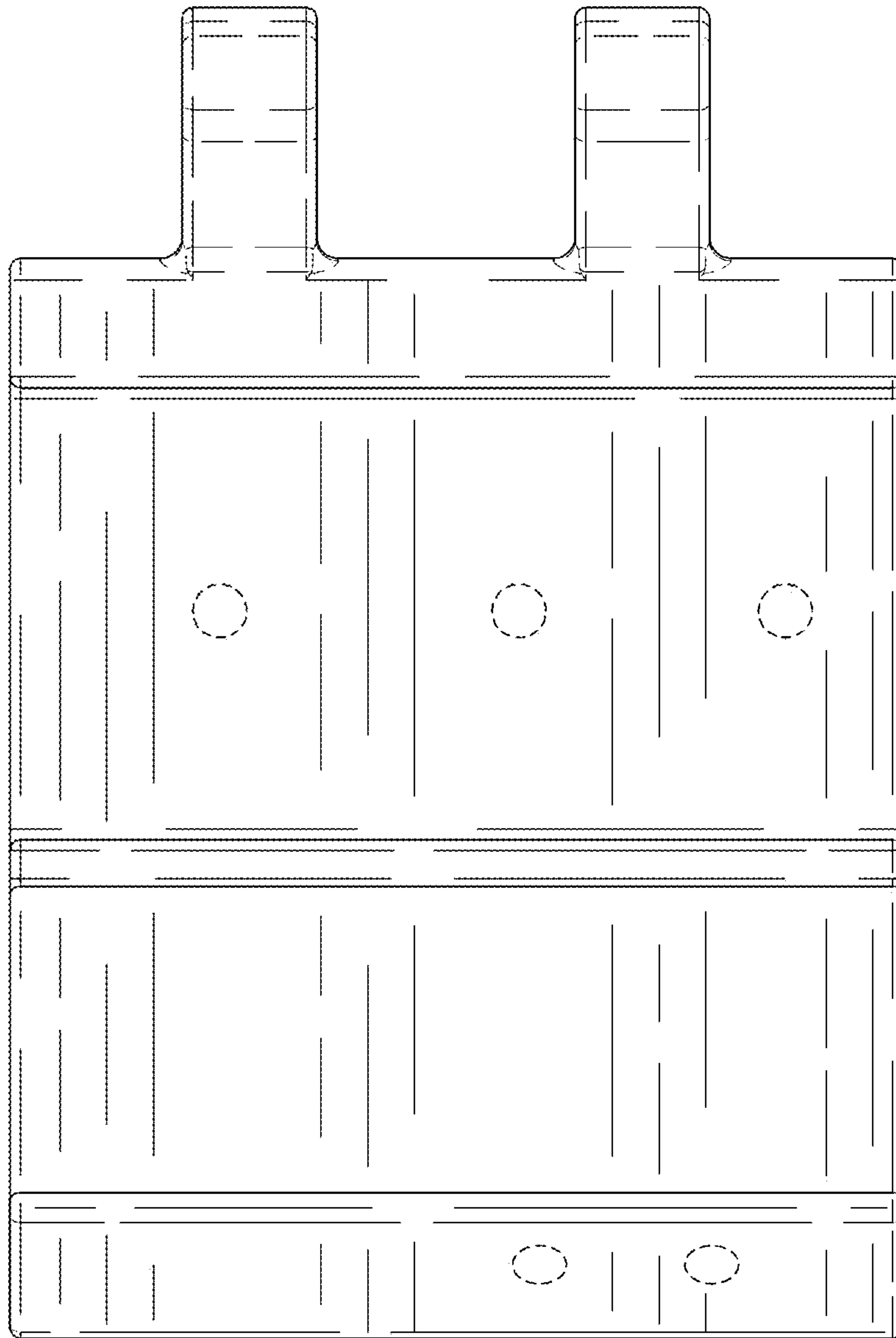
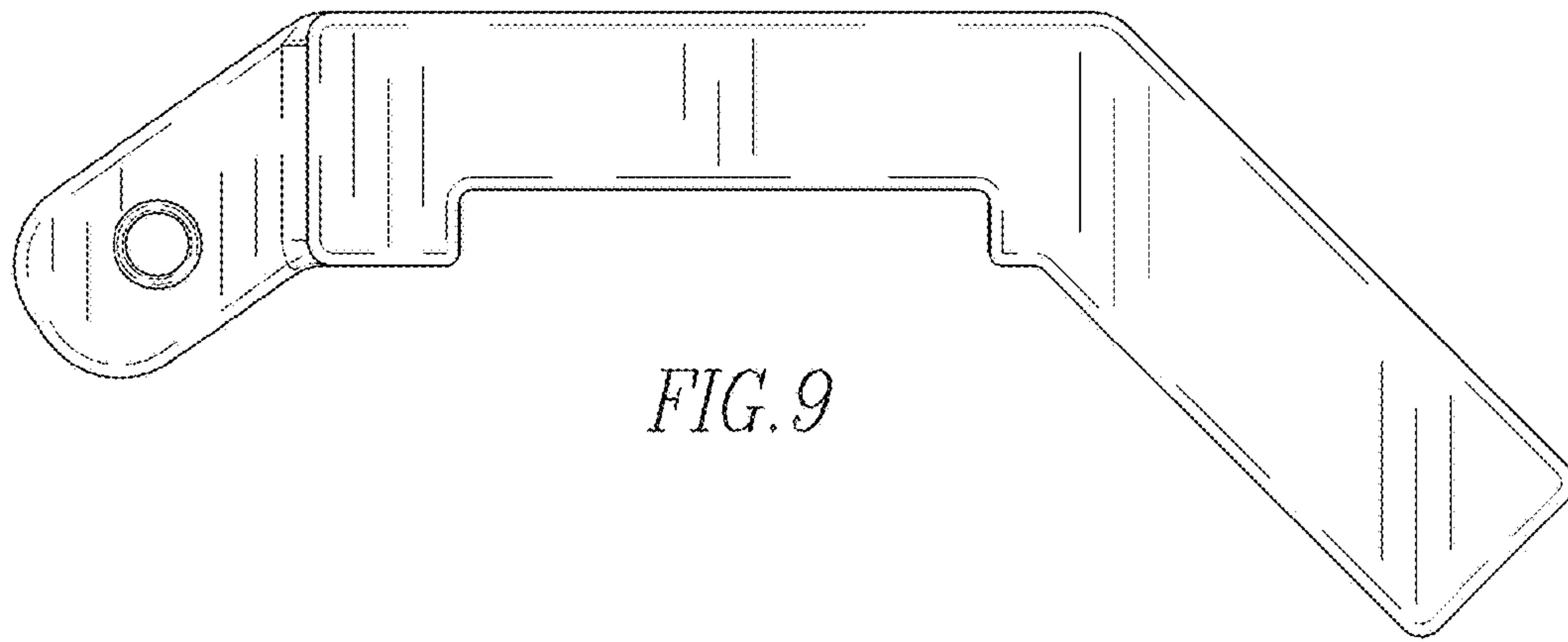
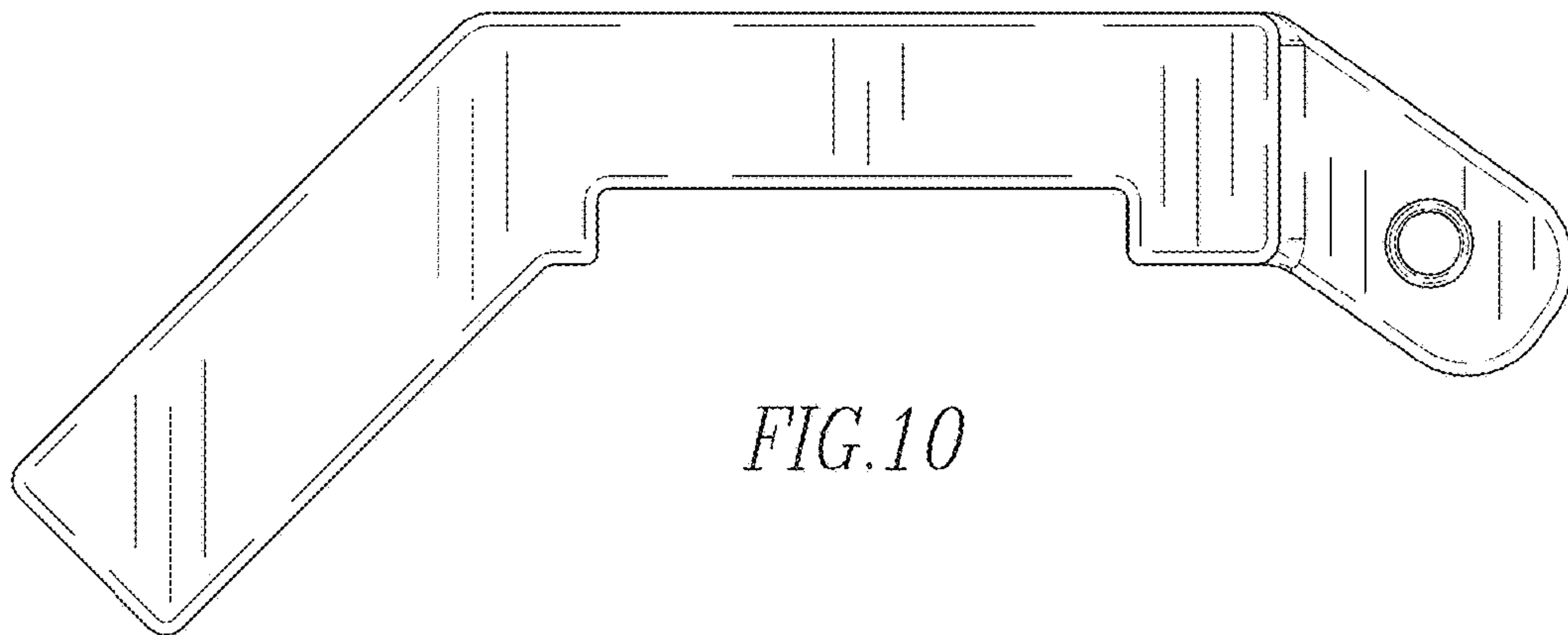


FIG. 8





*FIG. 9*



*FIG. 10*