



US00D823664S

(12) **United States Design Patent**  
**Workman**

(10) **Patent No.:** **US D823,664 S**

(45) **Date of Patent:** **\*\* Jul. 24, 2018**

(54) **DOOR SECURITY BAR**

(71) Applicant: **David Workman**, Carlsbad, CA (US)

(72) Inventor: **David Workman**, Carlsbad, CA (US)

(\*\*) Term: **15 Years**

(21) Appl. No.: **29/596,119**

(22) Filed: **Mar. 15, 2017**

(51) **LOC (11) Cl.** ..... **08-07**

(52) **U.S. Cl.**  
USPC ..... **D8/339**; D8/330

(58) **Field of Classification Search**  
USPC ..... D8/330, 331, 333, 339, 341, 343, 349,  
D8/354, 382, 394, 400; 70/57.1, 141,  
70/164, 224, 431, 465, 466; 292/256,  
292/262, 266, 289, 292, 340; 248/70, 73  
CPC ..... E05B 15/00; E05B 15/022; E05B 15/024;  
E05B 17/00; E05B 17/20; E05B 73/00;  
E05C 19/00; E05C 19/003; E05C 19/005  
See application file for complete search history.

(56) **References Cited**

**U.S. PATENT DOCUMENTS**

D219,362 S \* 12/1970 Snyder ..... 292/339  
3,583,743 A \* 6/1971 Newell ..... E05C 19/004  
248/354.1  
3,615,114 A \* 10/1971 Harris ..... E05B 65/0888  
292/262  
D230,701 S \* 3/1974 Lewis et al. .... 292/338

D236,082 S \* 7/1975 Williams et al. .... D8/339  
5,605,364 A \* 2/1997 Shelledy ..... E05C 19/003  
292/259 R  
6,705,652 B2 \* 3/2004 Engel ..... E05C 19/003  
292/259 R  
6,834,896 B2 \* 12/2004 Smith ..... E05C 19/18  
292/259 R  
D504,302 S \* 4/2005 Wood ..... D8/339  
D540,150 S \* 4/2007 Wilson ..... D8/339  
D632,946 S \* 2/2011 Hartgens ..... E05C 17/30  
D8/339  
D789,176 S \* 6/2017 Bruce ..... D8/330  
D795,673 S \* 8/2017 Rittman ..... D8/330

\* cited by examiner

*Primary Examiner* — Prabhakar G Deshmukh

(74) *Attorney, Agent, or Firm* — Donn K. Harms

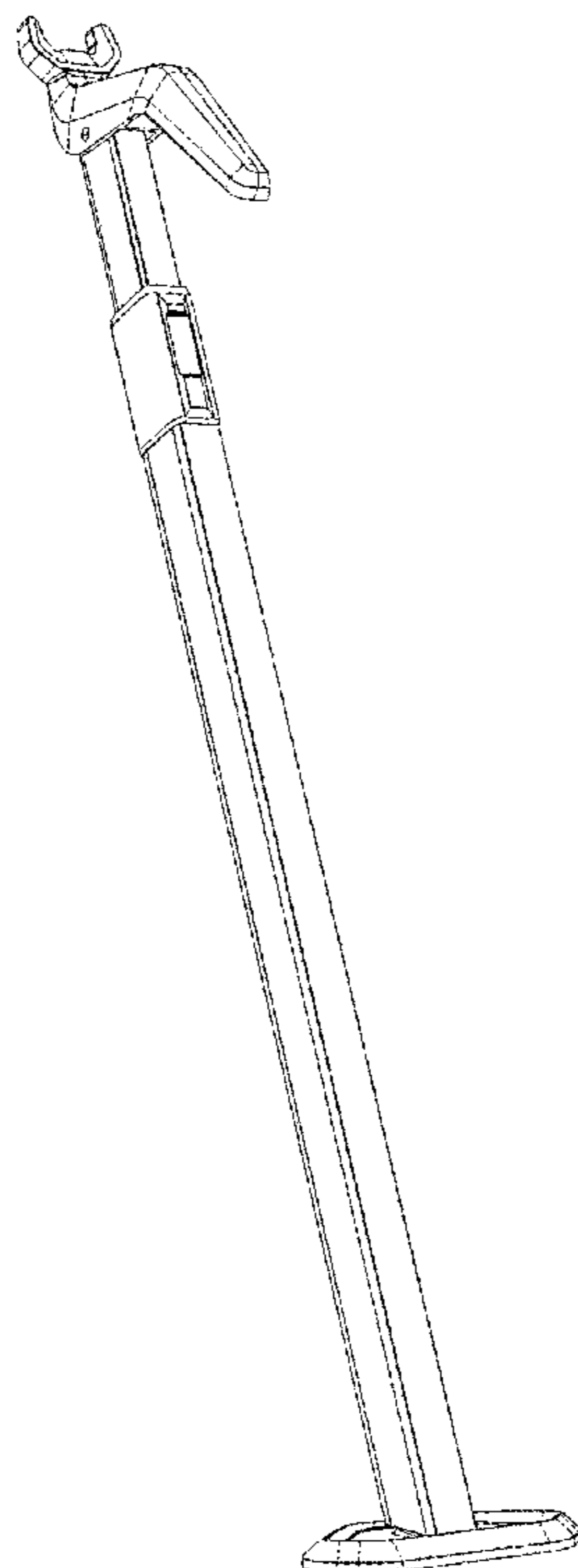
(57) **CLAIM**

The ornamental design for a door security bar, as shown and described.

**DESCRIPTION**

FIG. 1 is a front perspective view of a door security bar showing my new design;  
FIG. 2 is a left side elevational view thereof;  
FIG. 3 is a right side elevational view thereof;  
FIG. 4 is a rear elevational view thereof;  
FIG. 5 is a front elevational view thereof;  
FIG. 6 is top perspective view thereof; and,  
FIG. 7 is a bottom perspective view thereof opposite the top perspective view of FIG. 6.

**1 Claim, 6 Drawing Sheets**



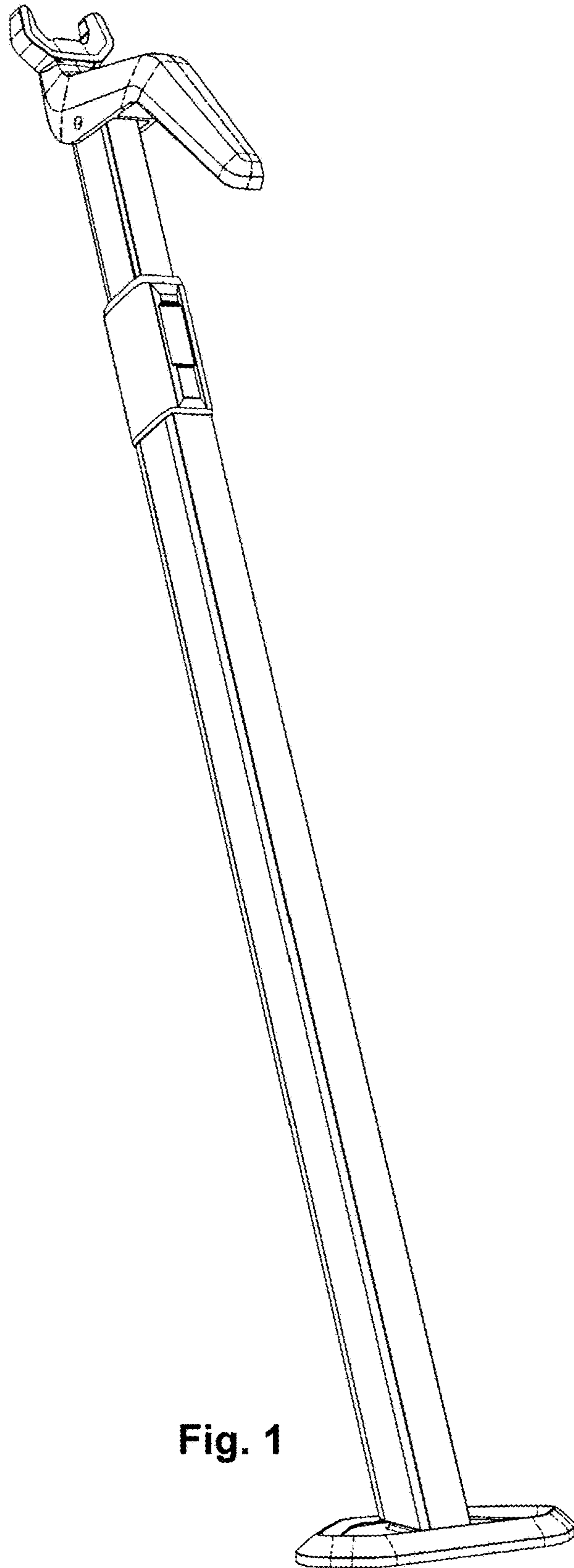


Fig. 1

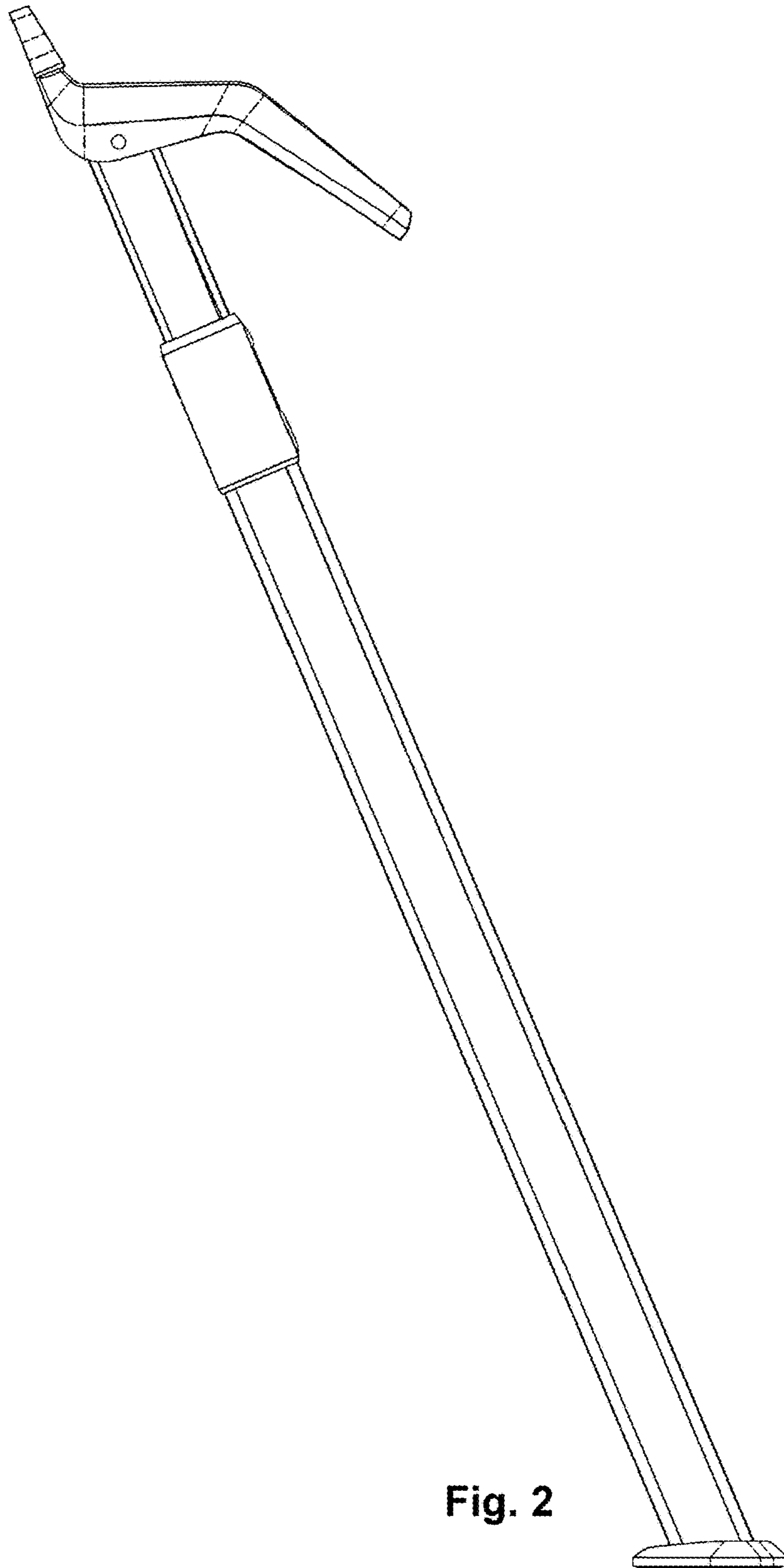


Fig. 2

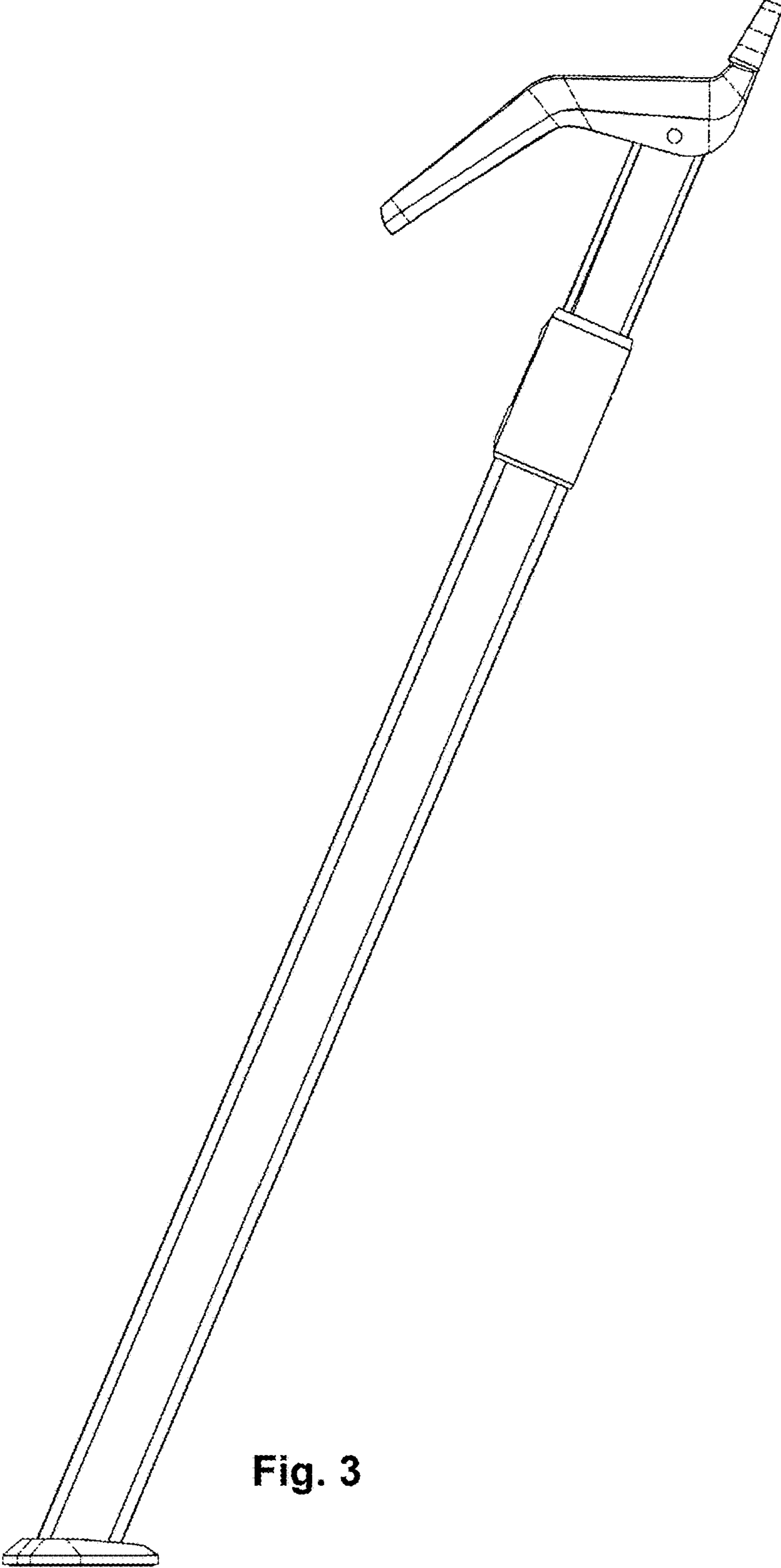


Fig. 3

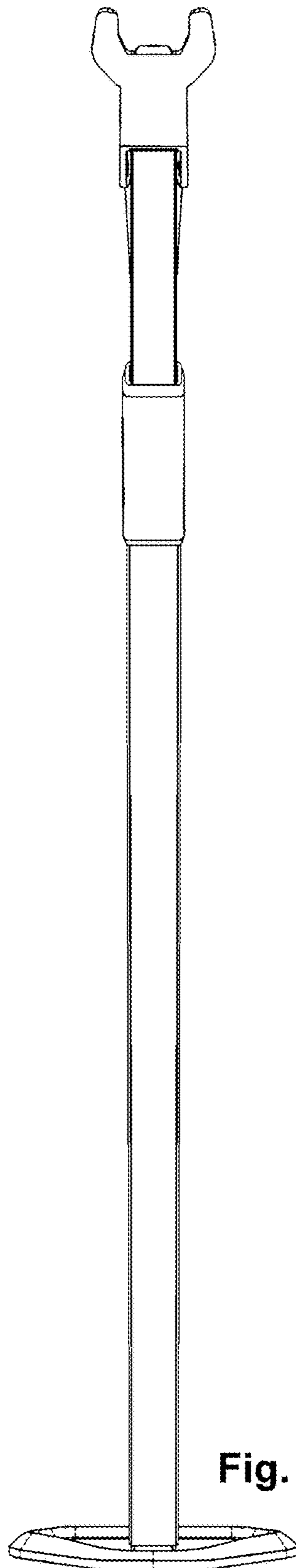


Fig. 4

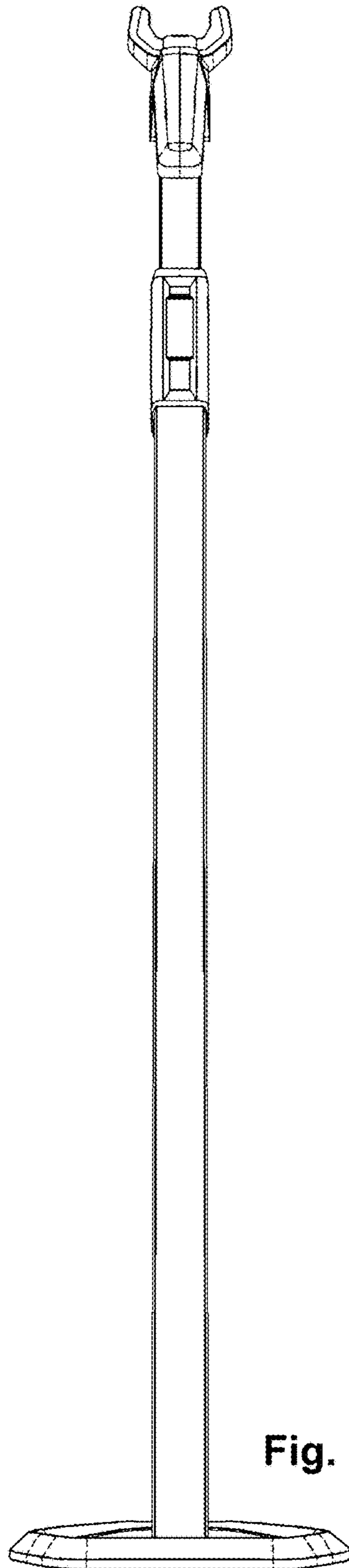
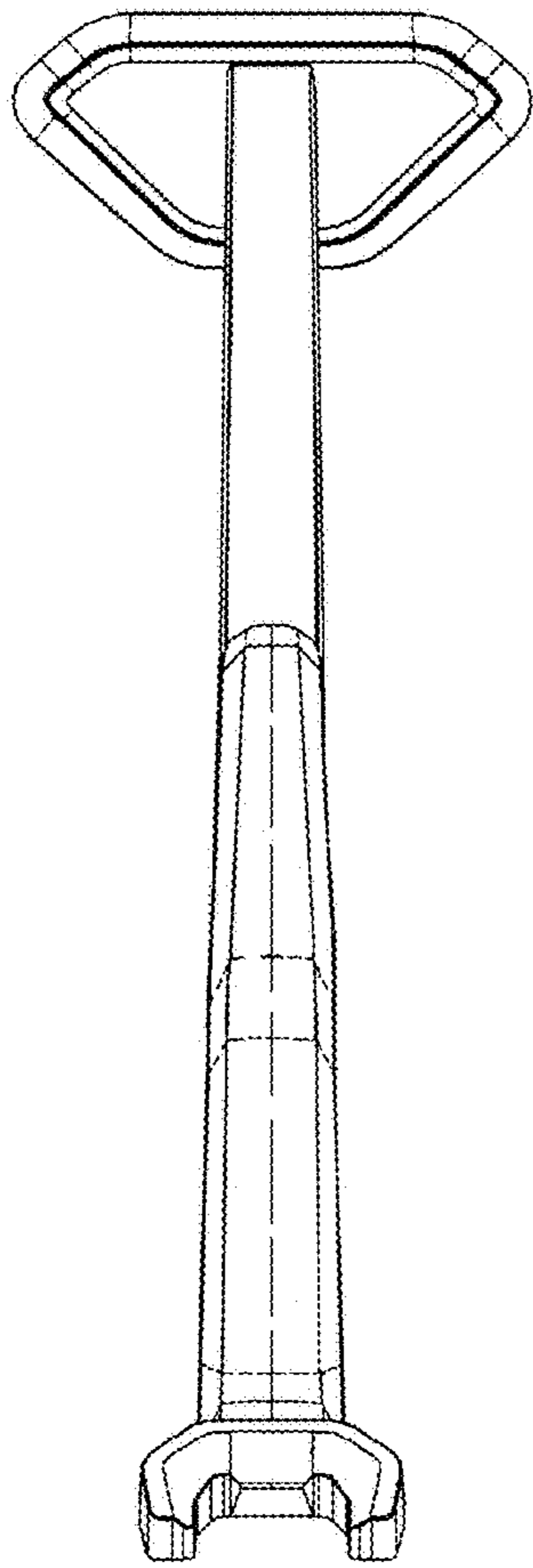
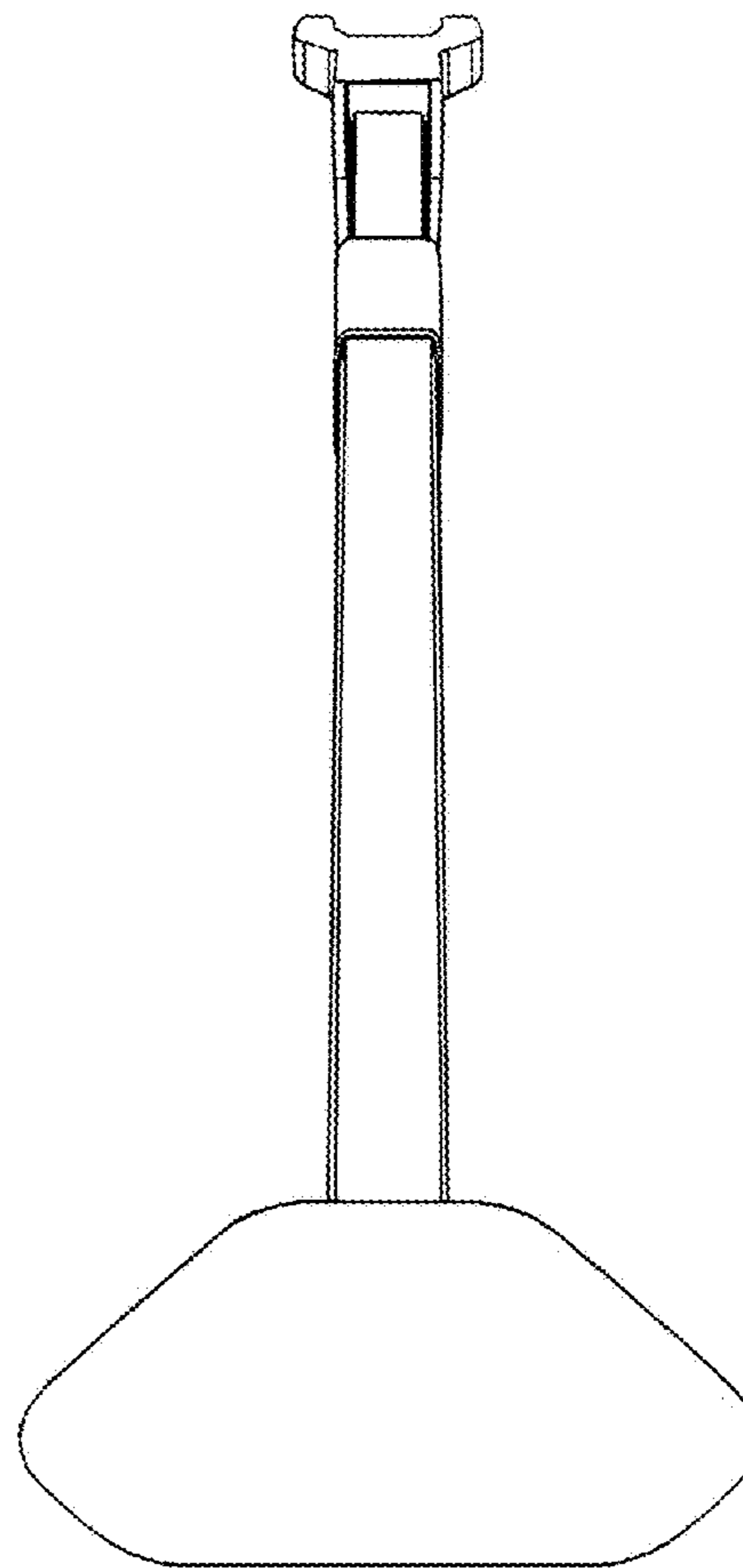


Fig. 5



**Fig. 6**



**Fig. 7**