



US00D823663S

(12) **United States Design Patent** (10) **Patent No.:** **US D823,663 S**
Ronge (45) **Date of Patent:** **** Jul. 24, 2018**

(54) **PADLOCK**

(71) Applicant: **ASSA ABLOY BRANDING S.À R.L.**,
Luxembourg (LU)

(72) Inventor: **Christof Ronge**, Luxembourg (LU)

(**) Term: **15 Years**

(21) Appl. No.: **35/502,050**

(22) Filed: **Nov. 17, 2016**

(80) **Hague Agreement Data**

Int. Filing Date: **Nov. 17, 2016**

Int. Reg. No.: **DM/093591**

Int. Reg. Date: **Nov. 17, 2016**

Int. Reg. Pub. Date: **Dec. 9, 2016**

(30) **Foreign Application Priority Data**

May 23, 2016 (EM) 003146844

(51) **LOC (11) Cl.** **08-07**

(52) **U.S. Cl.**
USPC **D8/334**

(58) **Field of Classification Search**

USPC D8/330, 334, 343, 346, 331, 336
CPC E05B 37/025; E05B 67/24; E05B 67/22;
E05B 37/0034; E05B 35/105; E05B
67/00; E05B 37/10; E05B 37/14; E05B
67/063; E05B 67/36; E05B 17/142; Y10T
70/413

See application file for complete search history.

(56) **References Cited**

U.S. PATENT DOCUMENTS

D143,245 S *	12/1945	Soref	D8/334
D240,590 S *	7/1976	Meisner	D8/334
D353,531 S *	12/1994	Kahonen	D8/334
D461,699 S *	8/2002	Lavikainen	D8/334
D516,896 S *	3/2006	Kearns	D8/334
D577,279 S *	9/2008	Rohde	D8/334
D587,985 S *	3/2009	Zorc	D8/334
D668,929 S *	10/2012	Schmidt	D8/334
D678,751 S *	3/2013	Schmidt	D8/334
D752,950 S *	4/2016	Dolce	D7/702

* cited by examiner

Primary Examiner — Manpreet S Matharu

Assistant Examiner — Eliza Z Bennett-Hattan

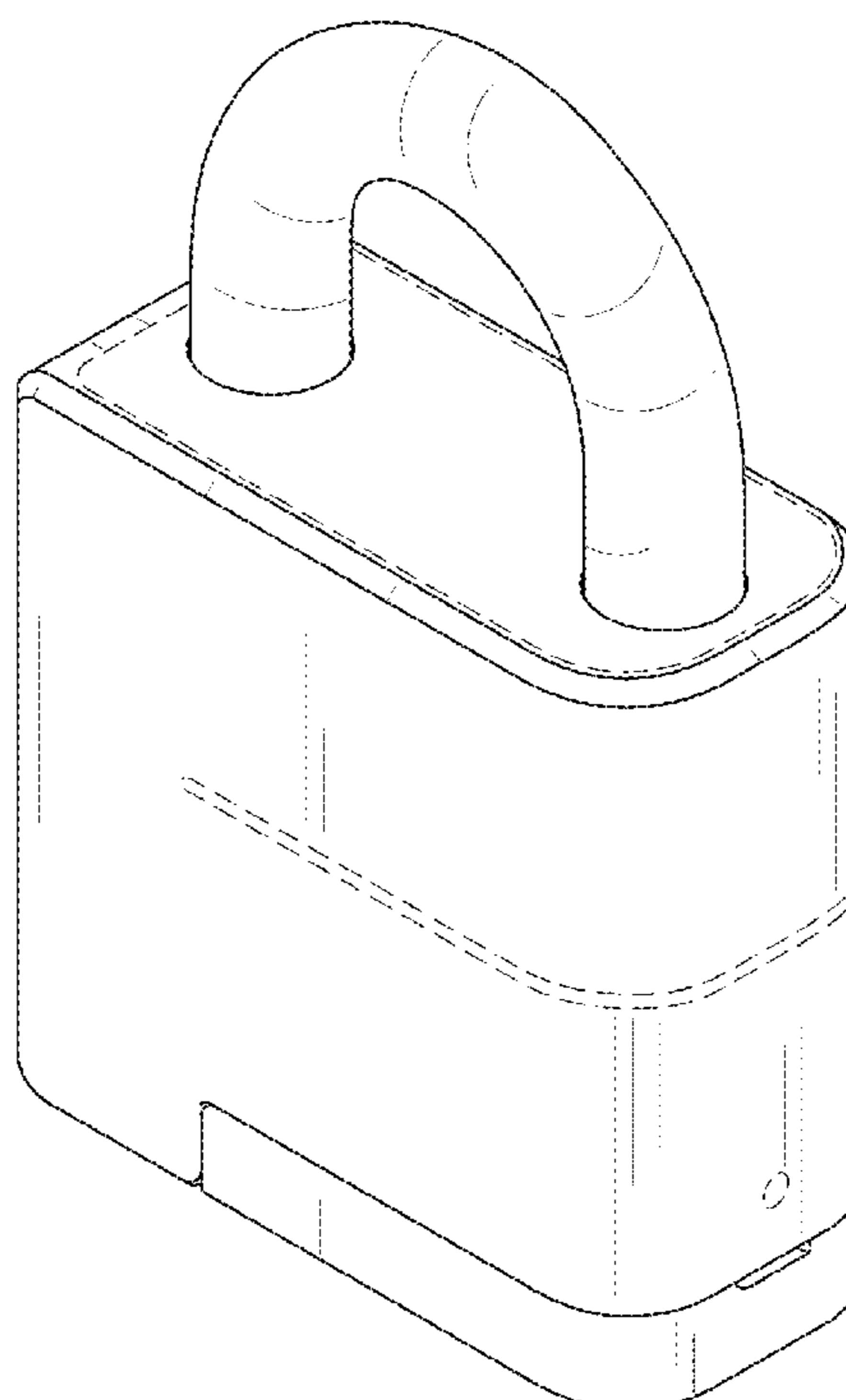
(57) **CLAIM**

The ornamental design for a padlock, as shown and described.

DESCRIPTION

Fig. 1.1 is a right top perspective;
Fig. 1.2 is a left top perspective;
Fig. 1.3 is a bottom right perspective; and
Fig. 1.4 is a bottom view.
The portions of the padlock shown in broken lines form no part of the claimed design.

1 Claim, 4 Drawing Sheets



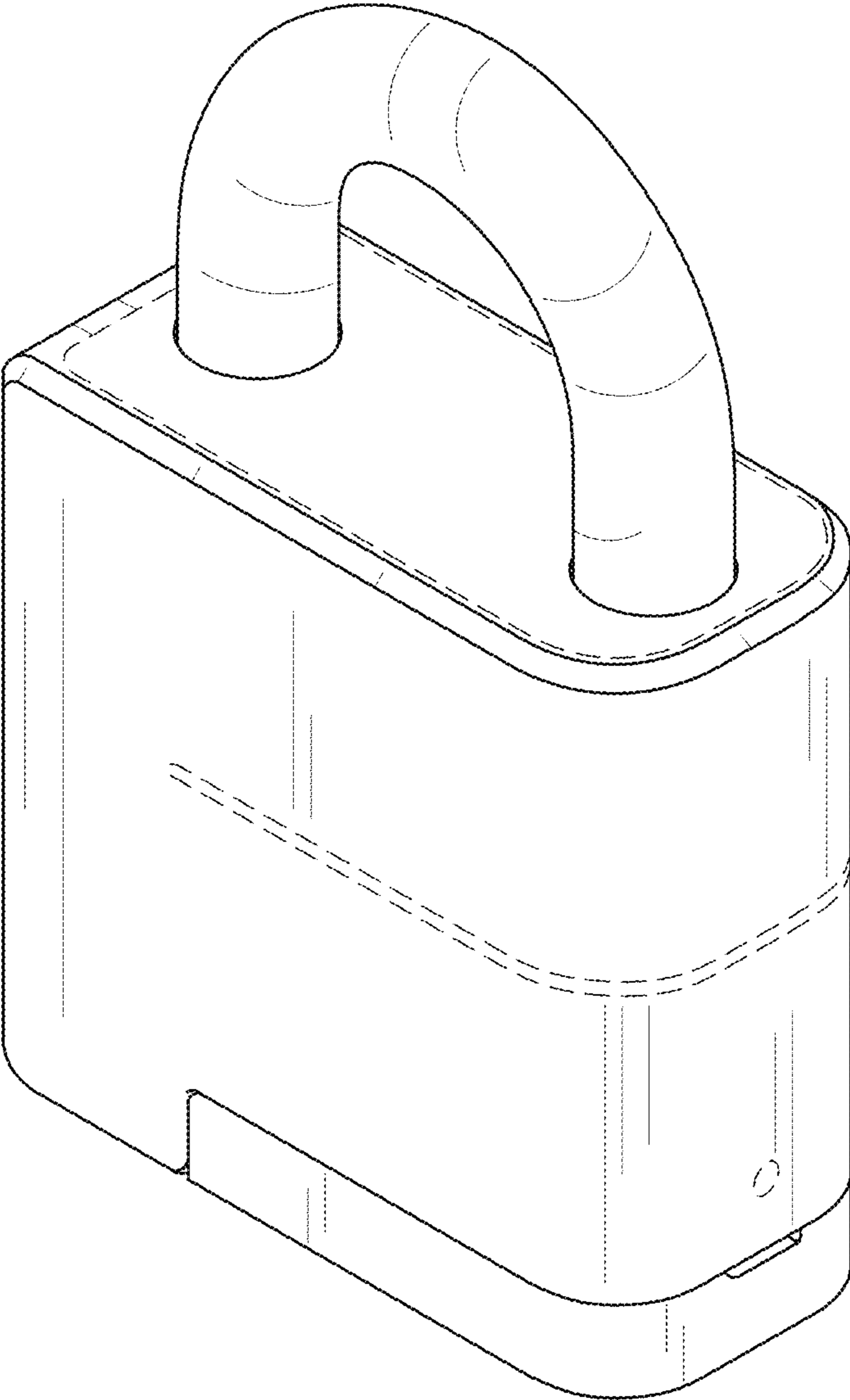


FIG. 1.1

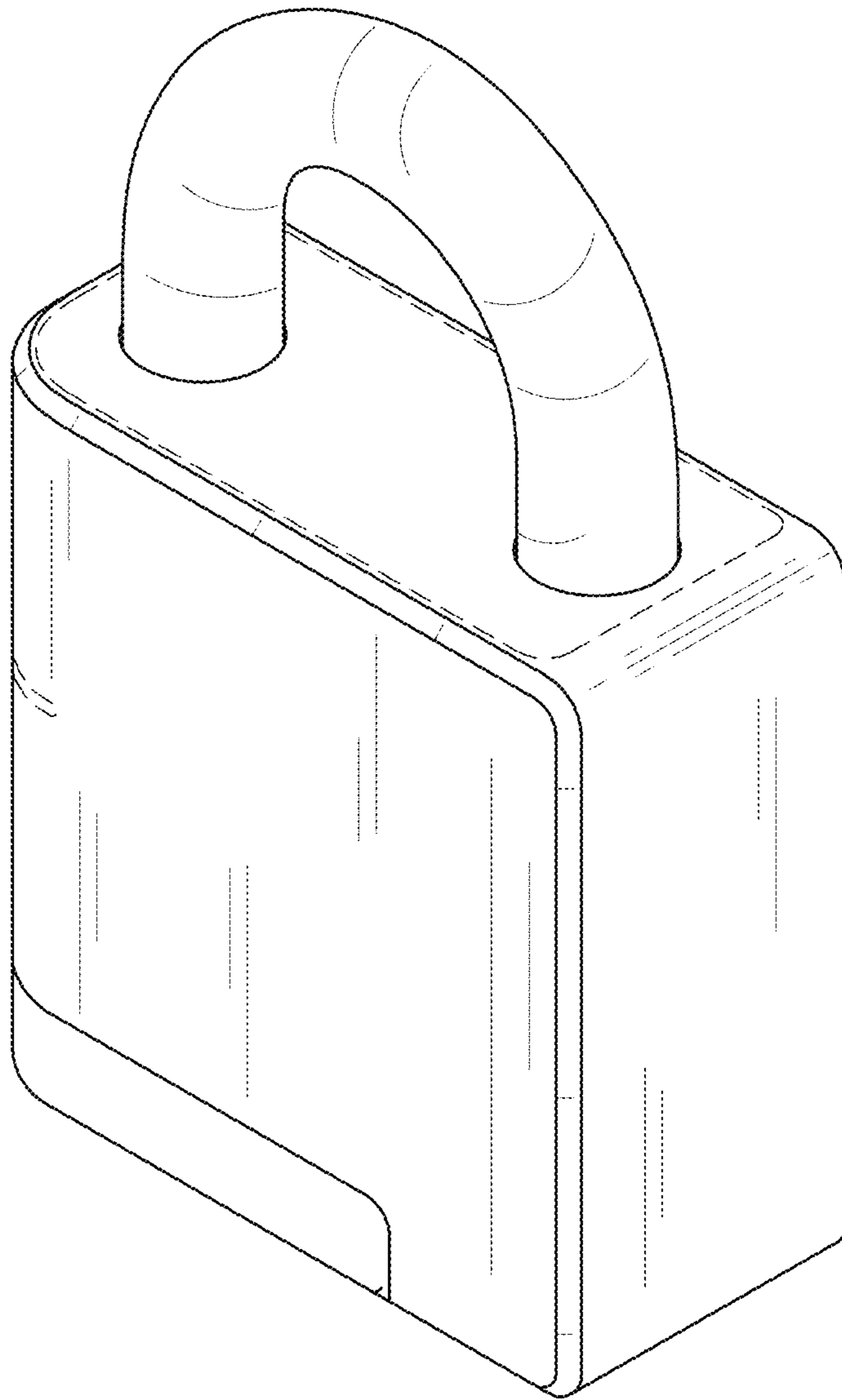


FIG. 1.2

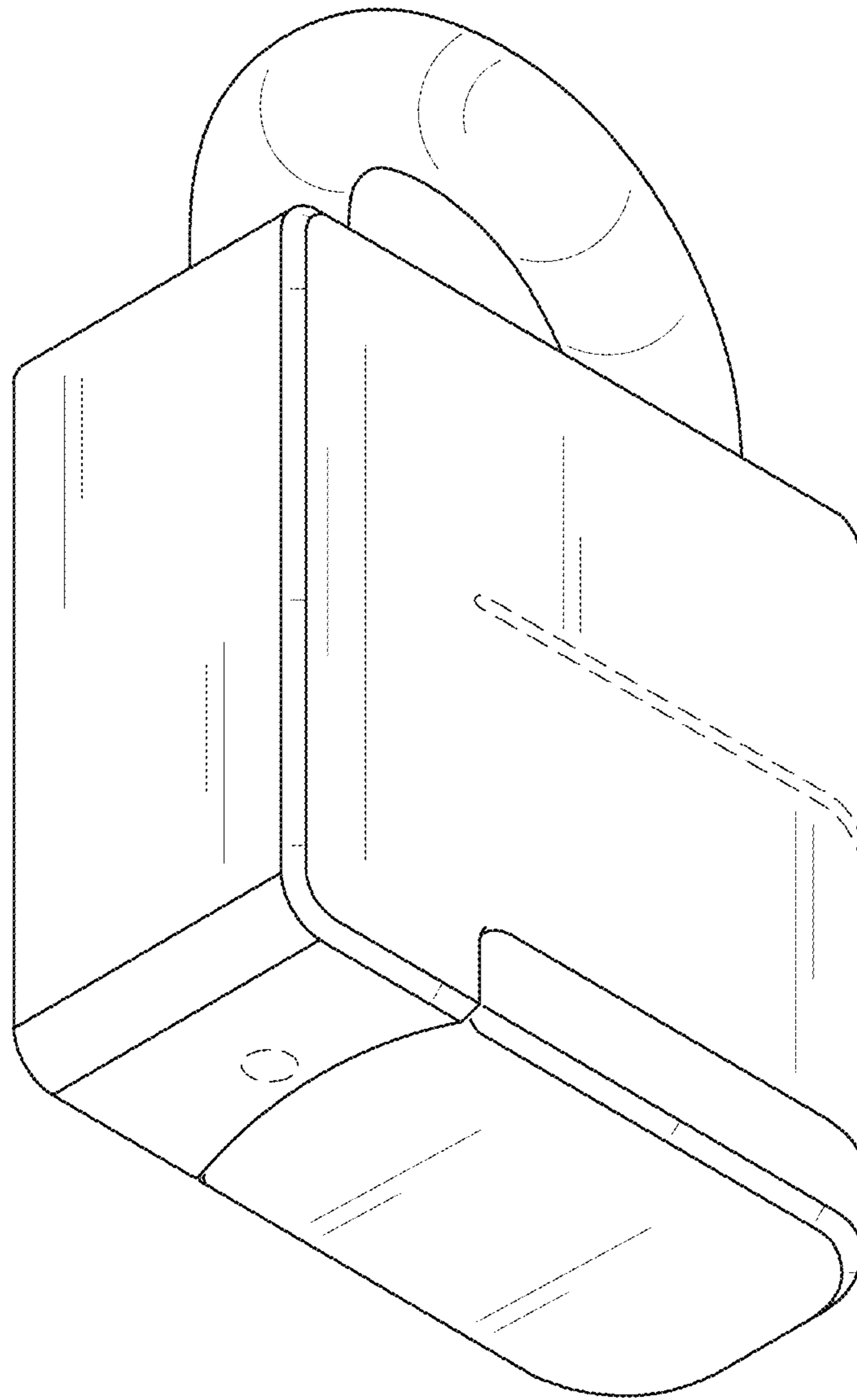


FIG. 1.3

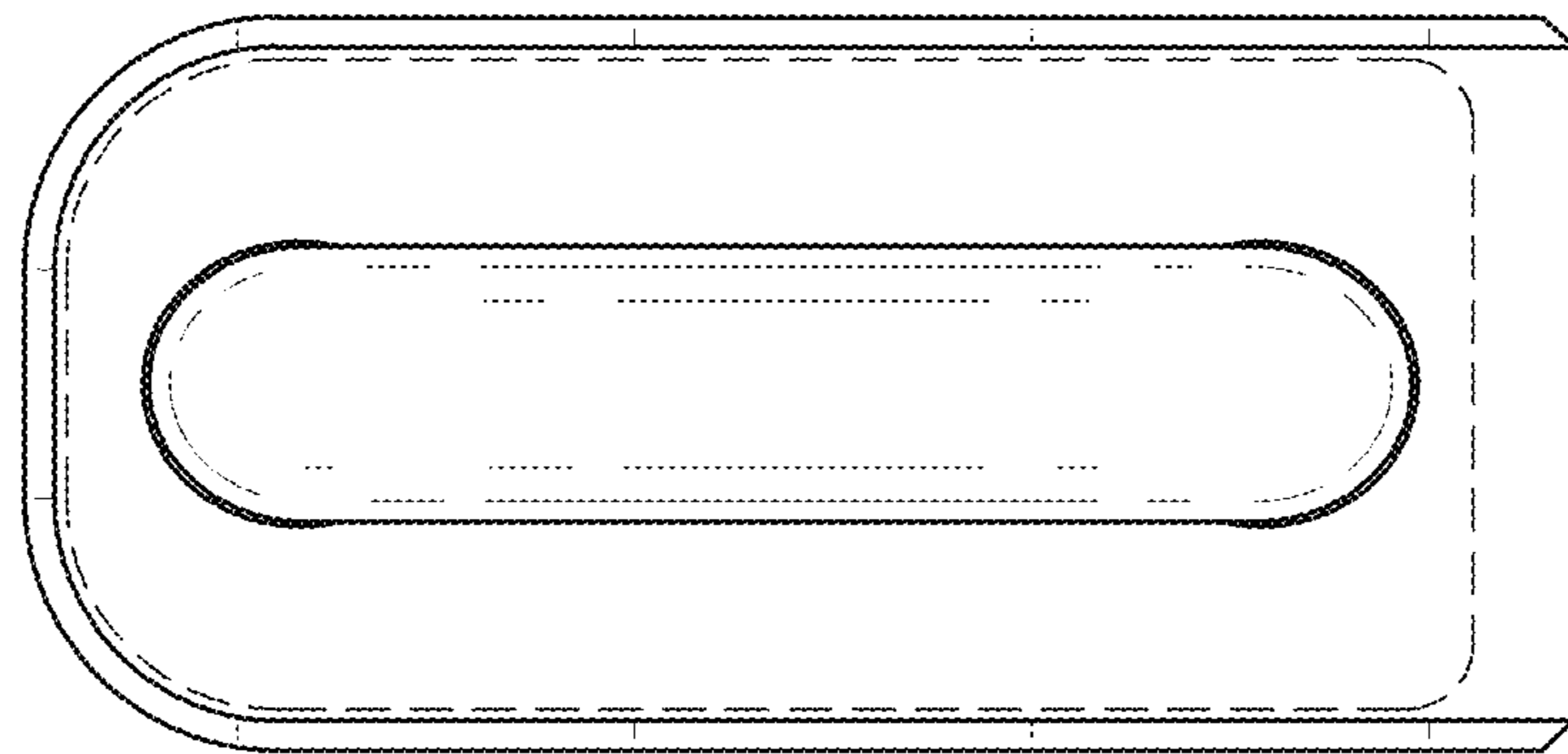


FIG. 1.4