



US00D823662S

(12) **United States Design Patent** (10) **Patent No.:** **US D823,662 S**
Shuanglong (45) **Date of Patent:** **** Jul. 24, 2018**

(54) **LOCKING APPARATUS** D690,580 S * 10/2013 Wang D8/331
8,779,933 B2 * 7/2014 Hartmann E05B 39/00
340/686.1
(71) Applicant: **Safe Skies, LLC**, Brooklyn, NY (US) D722,861 S * 2/2015 Chen D8/334
9,464,463 B2 * 10/2016 Bao E05B 67/22
(72) Inventor: **Chen Shuanglong**, Ningbo (CN) 9,495,820 B1 * 11/2016 Li E05B 67/00
D781,131 S * 3/2017 Nguyen D8/334
(73) Assignee: **SAFE SKIES, LLC**, Brooklyn, NY 9,670,699 B2 * 6/2017 Sallinen E05B 67/24
(US) D813,645 S * 3/2018 Nguyen D8/334
2010/0083713 A1 * 4/2010 Woodling E05B 47/0603
70/22
(**) Term: **15 Years** 2014/0366592 A1 * 12/2014 Bao E05B 37/10
70/25

(21) Appl. No.: **29/613,340**

(22) Filed: **Aug. 9, 2017**

(51) **LOC (11) Cl.** **08-07**

(52) **U.S. Cl.**
USPC **D8/334**

(58) **Field of Classification Search**
USPC D8/300-302, 324, 330, 331, 339, 343,
D8/349, 334; 292/348, 350; 70/14, 158,
70/160, 452, 448, 466
CPC E05B 1/0007; E05B 27/00; E05B 67/003;
E05B 37/22; E65B 37/08
See application file for complete search history.

(56) **References Cited**

U.S. PATENT DOCUMENTS

D353,531 S * 12/1994 Kahonen D8/334
D516,896 S * 3/2006 Kearns D8/334
D543,832 S * 6/2007 Tsui D8/334
D587,985 S * 3/2009 Zorc D8/334
D587,986 S * 3/2009 Zorc D8/334
D630,260 S * 1/2011 Cole D21/483
8,353,187 B2 * 1/2013 Woodling E05B 47/0603
70/20

* cited by examiner

Primary Examiner — Ian Simmons

Assistant Examiner — Yolanda Robinson

(74) *Attorney, Agent, or Firm* — Cooper & Dunham LLP

(57) **CLAIM**

The ornamental design for a locking apparatus, as shown and described.

DESCRIPTION

FIG. 1 is a top perspective view of a locking apparatus in accordance with the present design;
FIG. 2 is a bottom perspective view thereof;
FIG. 3 is a back view thereof;
FIG. 4 is a front view thereof;
FIG. 5 is a right side view thereof;
FIG. 6 is a left side view thereof;
FIG. 7 is a top view thereof; and,
FIG. 8 is a bottom view thereof.
The broken lines are for illustrative purposes only and form no part of the claimed design. The shading represents contour of the claimed design.

1 Claim, 4 Drawing Sheets

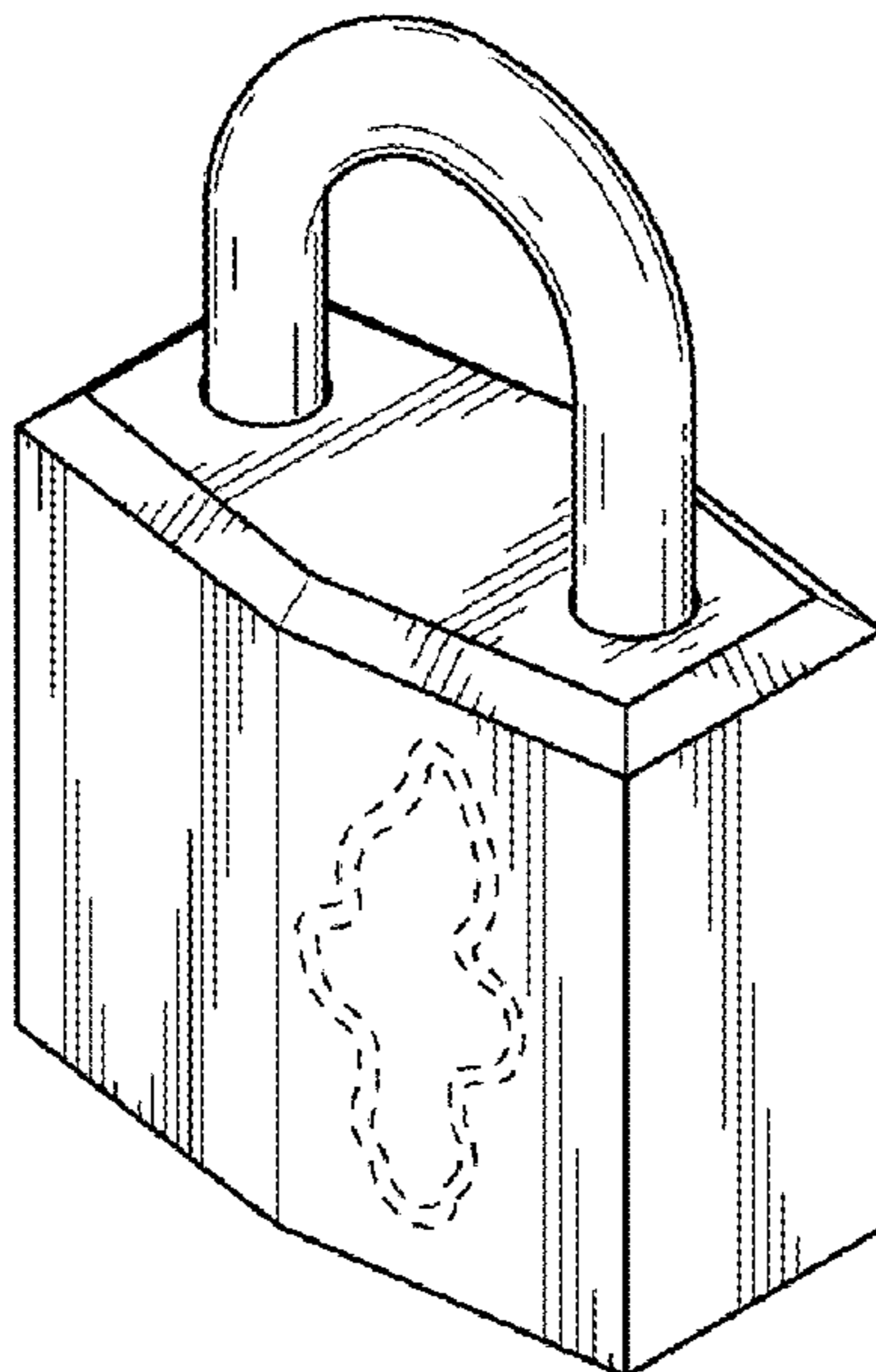


FIG. 1

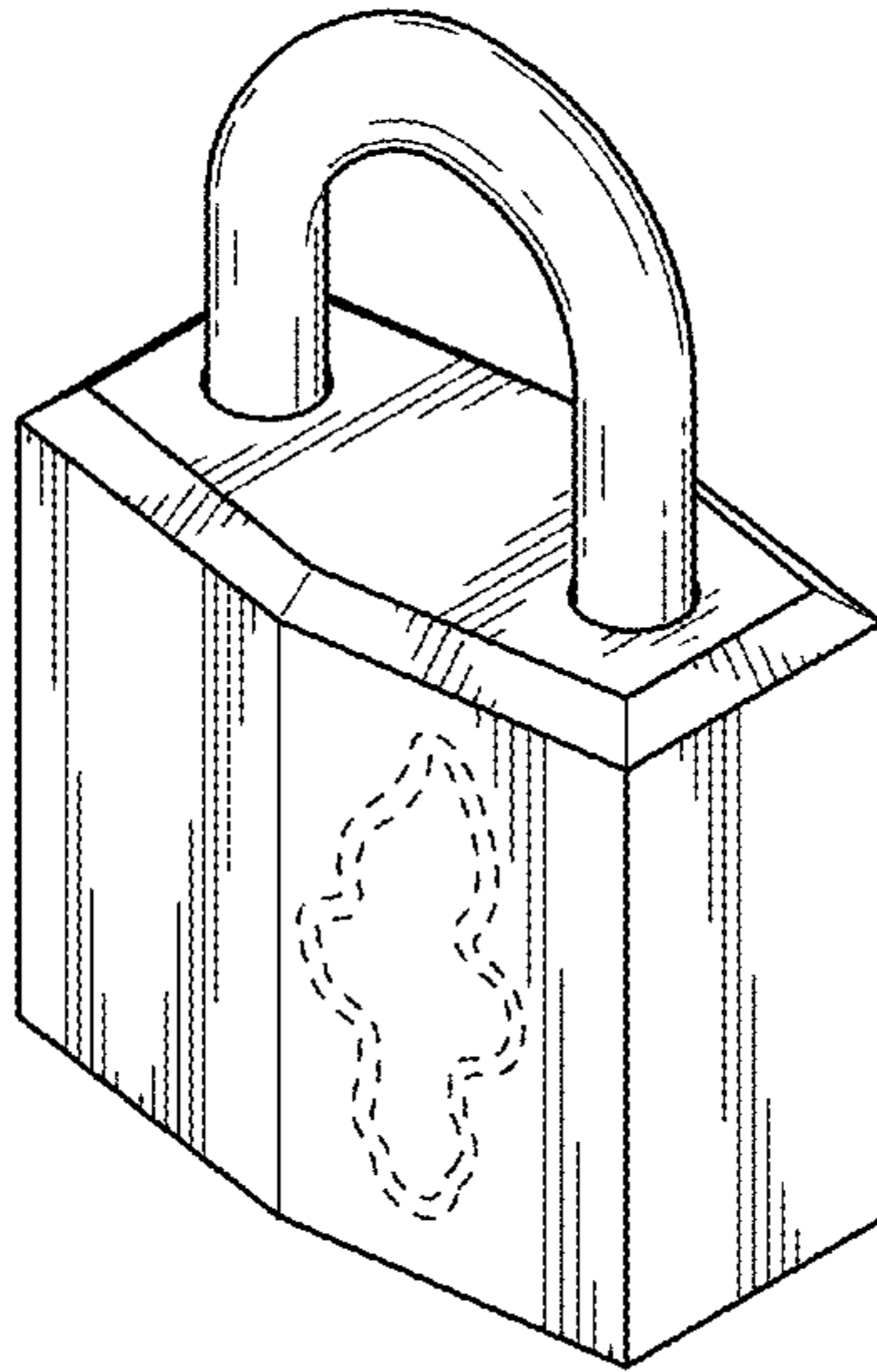


FIG. 2

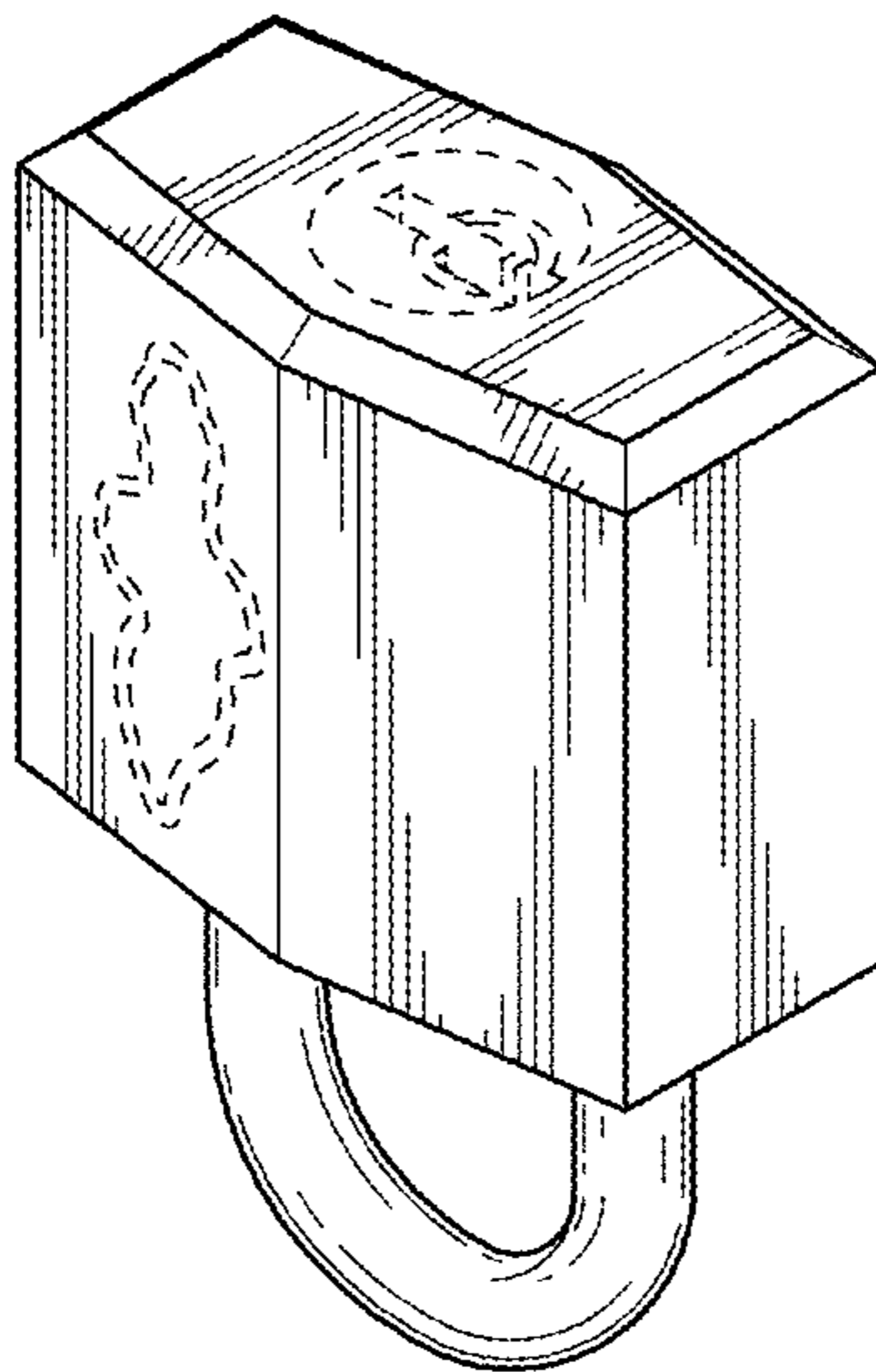


FIG. 3

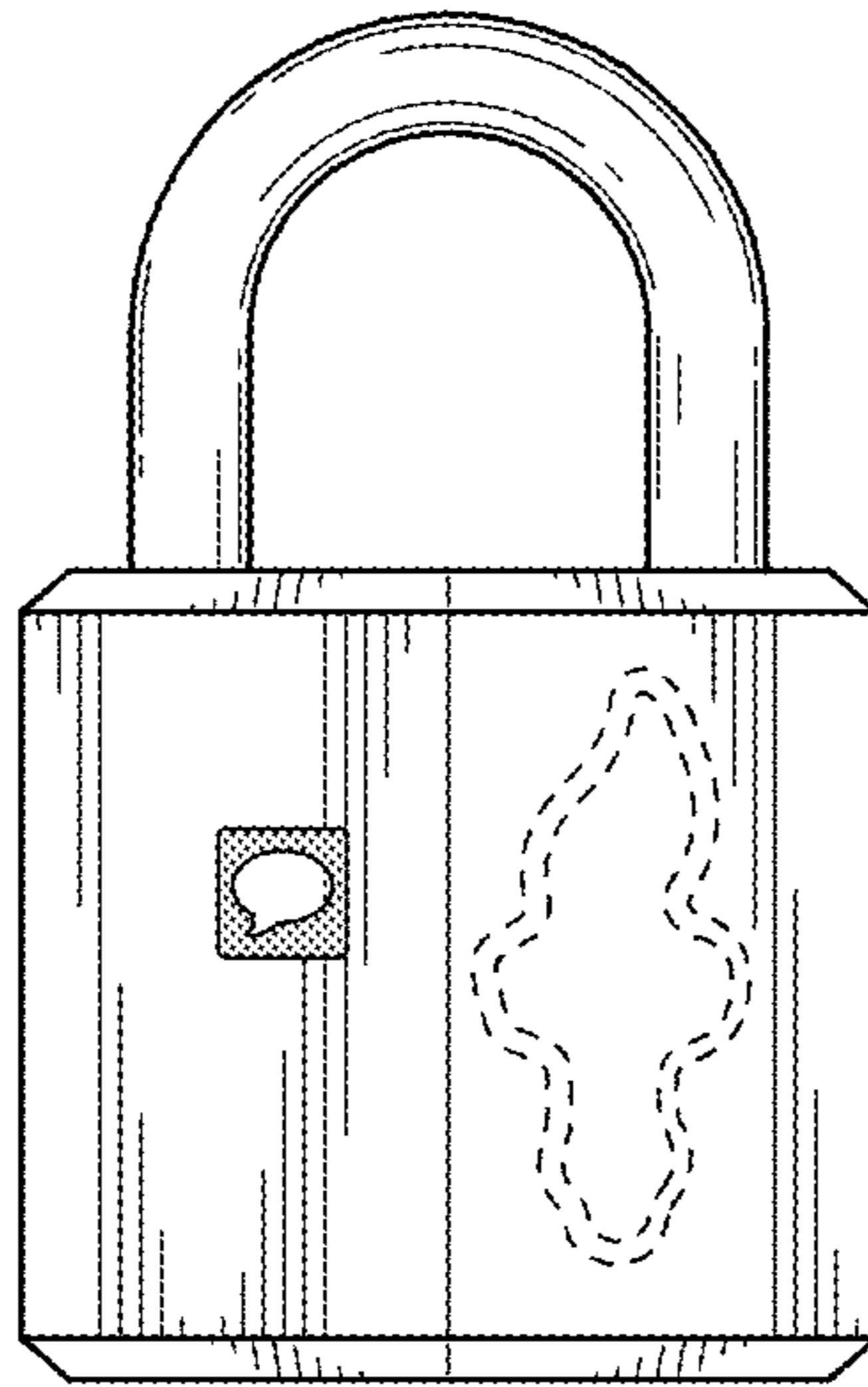


FIG. 4

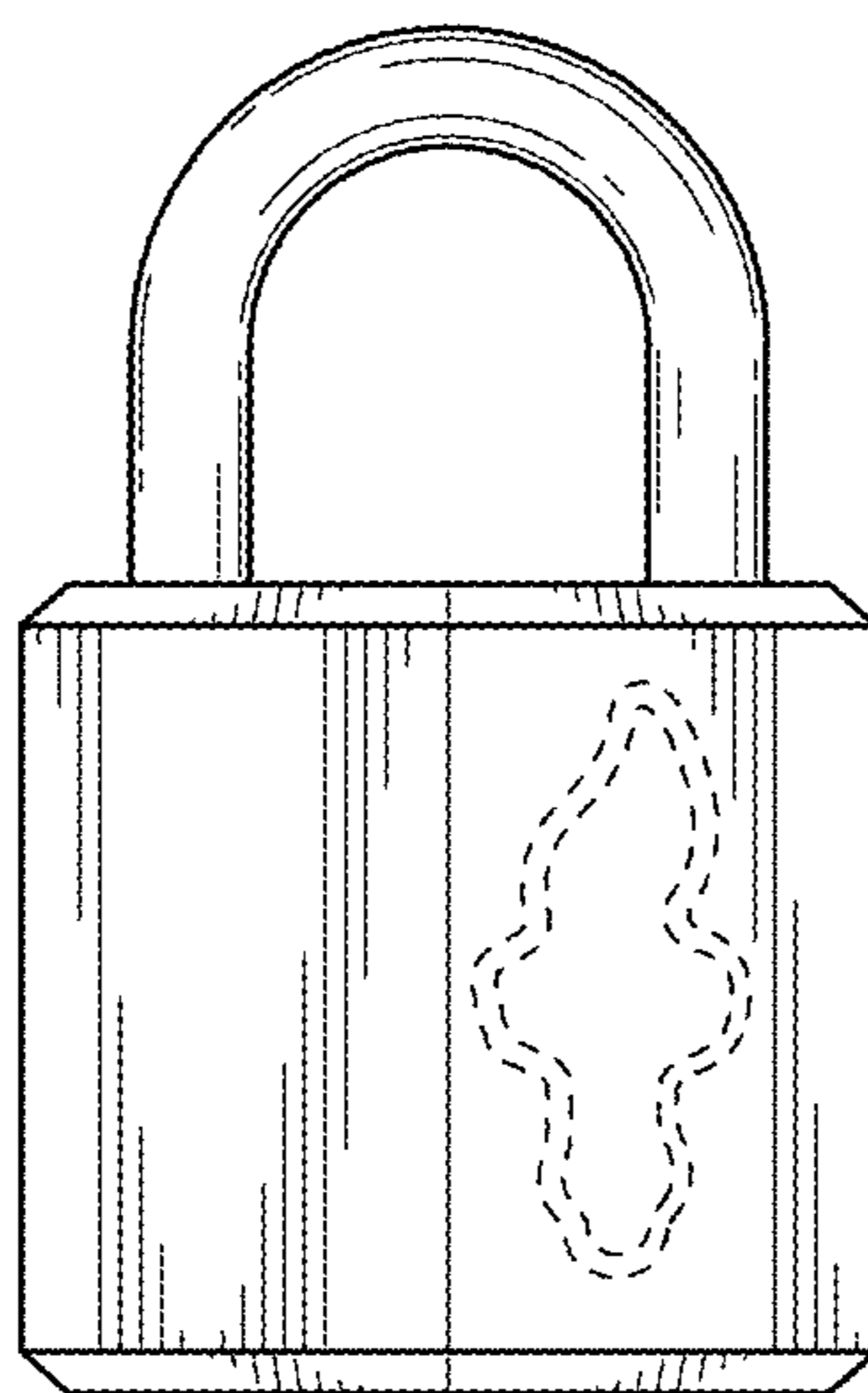


FIG. 5

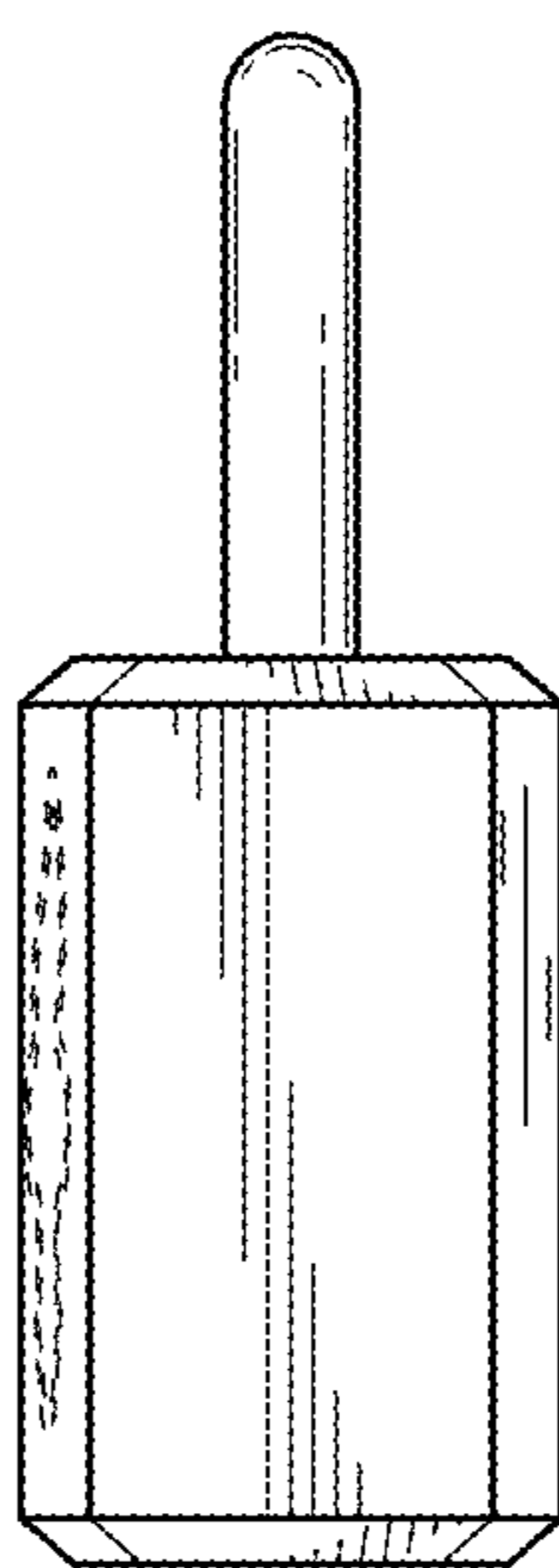


FIG. 6

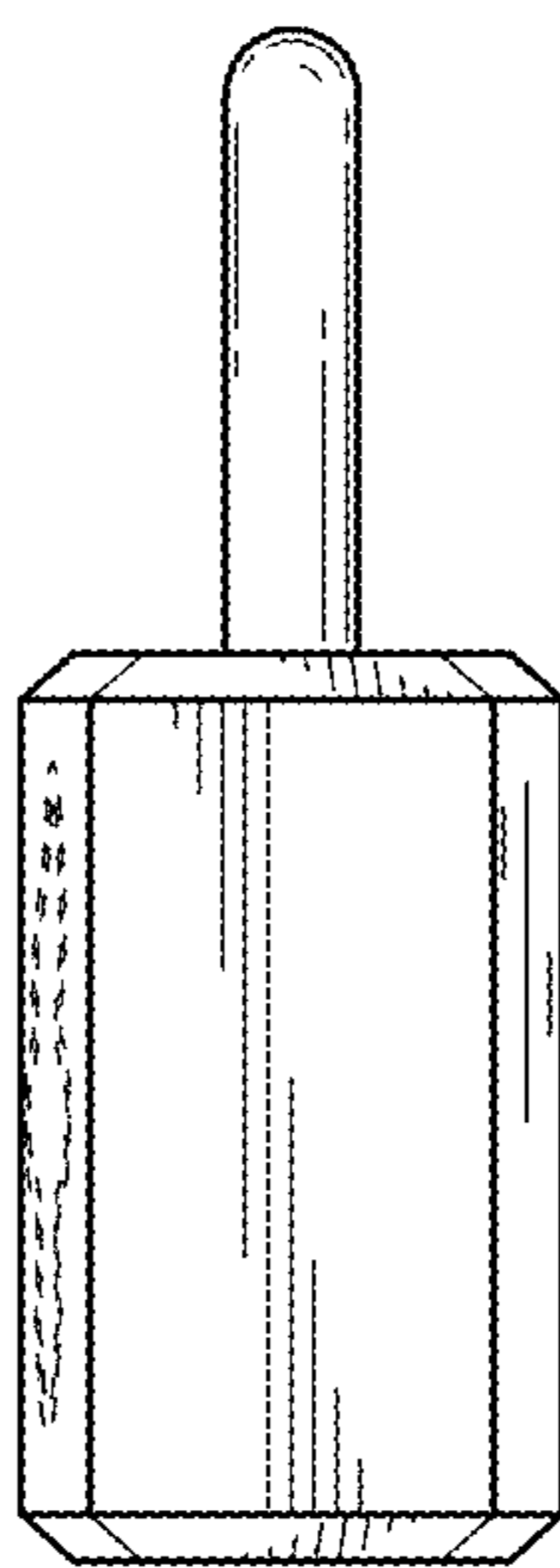


FIG. 7

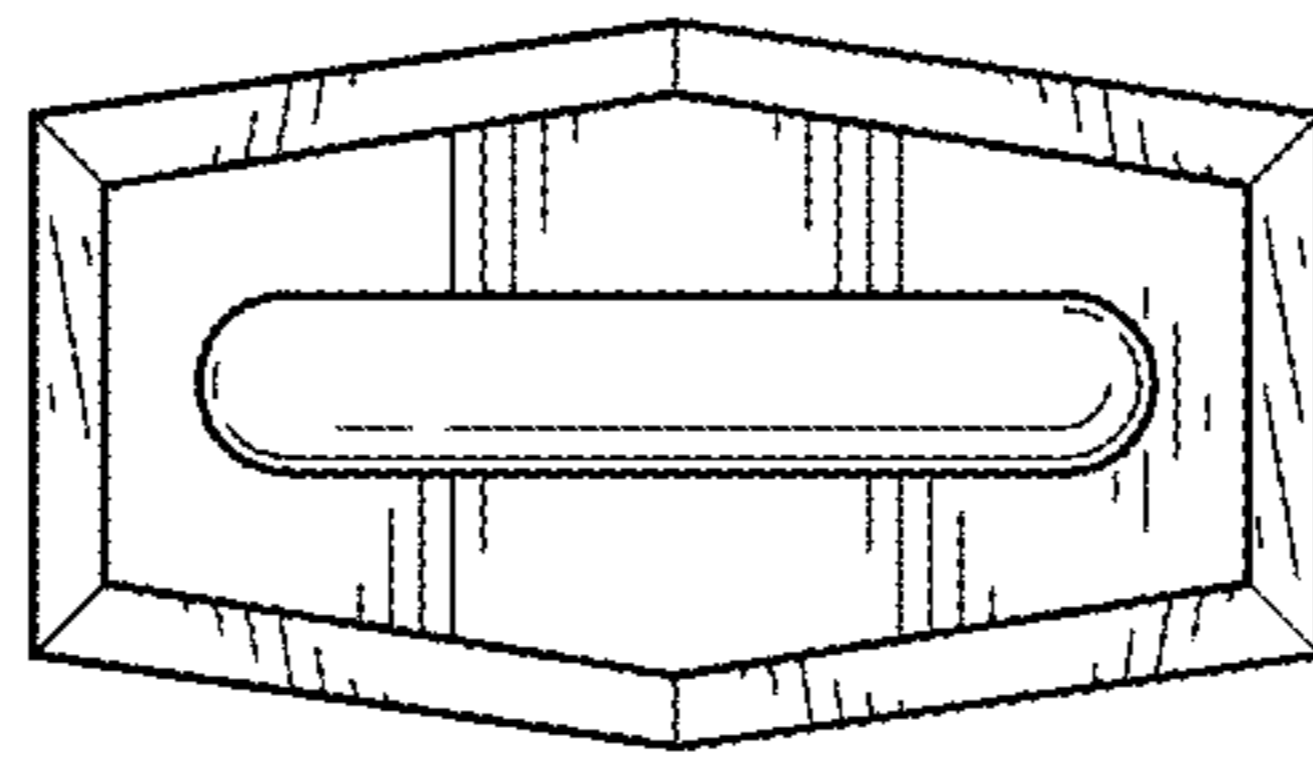


FIG. 8

