



US00D823661S

(12) **United States Design Patent**  
**Wolf et al.**

(10) **Patent No.:** **US D823,661 S**  
(45) **Date of Patent:** **\*\* Jul. 24, 2018**

(54) **SAW HANDLE**  
(71) Applicant: **Corona Clipper, Inc.**, Corona, CA (US)  
(72) Inventors: **James Joseph Wolf**, Waconia, MN (US); **Craig Steven Agney**, Minneapolis, MN (US); **Marcus Wayland Tang**, Millbrae, CA (US); **Timothy Edward Atnip**, Temecula, CA (US); **Anthony Magana**, Riverside, CA (US); **Christopher S. Daniels**, Columbus, OH (US); **Jeffrey R. Burger**, Bexley, OH (US)

D442,458 S *	5/2001	Jimenez	.....	D8/107
D483,639 S *	12/2003	Jimenez	.....	D8/97
D488,981 S *	4/2004	Jimenez	.....	D8/107
D488,982 S *	4/2004	Jimenez	.....	D8/97
D495,575 S *	9/2004	Jimenez	.....	D8/97
D499,628 S *	12/2004	Chi	.....	D8/97
D499,947 S *	12/2004	Martin	.....	D8/97
D574,209 S *	8/2008	Ranieri	.....	D8/97
D599,185 S *	9/2009	Himbert	.....	D8/97
D640,524 S *	6/2011	Huang	.....	D8/95
8,322,040 B2 *	12/2012	Jimenez	.....	B23D 51/01 30/517

\* cited by examiner

*Primary Examiner* — Philip S Hyder

(73) Assignee: **CORONA CLIPPER, INC.**, Corona, CA (US)

(\*\*) Term: **15 Years**

(57) **CLAIM**

(21) Appl. No.: **29/574,834**

The ornamental design for a saw handle, as shown and described.

(22) Filed: **Aug. 18, 2016**

(51) **LOC (11) Cl.** ..... **08-03**

(52) **U.S. Cl.**  
USPC ..... **D8/97**

**DESCRIPTION**

(58) **Field of Classification Search**  
USPC ..... D8/95, 96, 97, 98, 99, 107, 105;  
D22/118  
CPC ..... B23D 49/12; B23D 49/11; B23D 51/125;  
B23D 19/10; B23D 49/105; B23D 49/10;  
B23D 51/01  
See application file for complete search history.

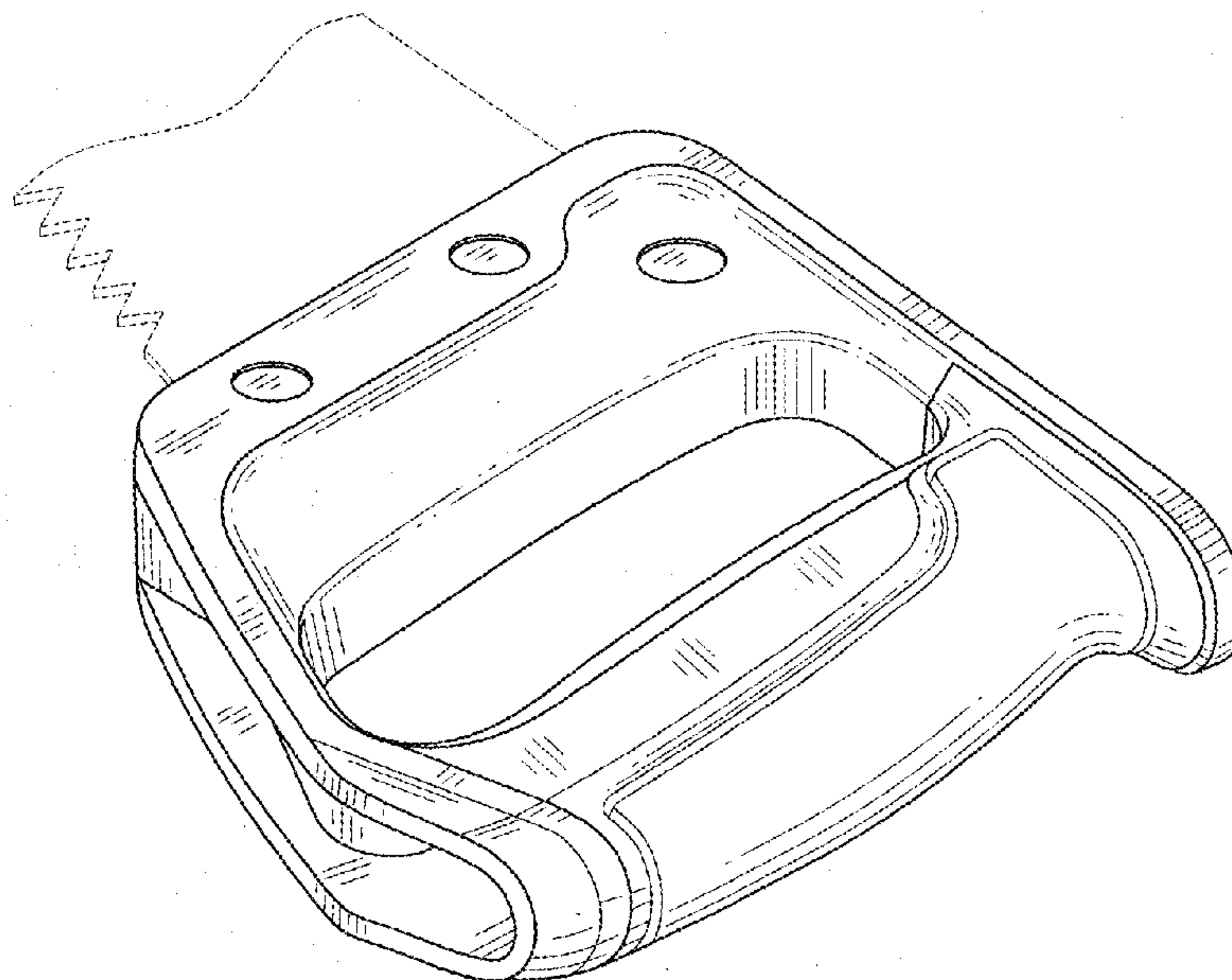
FIG. 1 is a perspective view of a saw handle;  
FIG. 2 is a right side view of saw handle;  
FIG. 3 is a left side view of a saw handle;  
FIG. 4 is a front view of a saw handle;  
FIG. 5 is a rear view of a saw handle;  
FIG. 6 is a top view of a saw handle; and,  
FIG. 7 is bottom view of a saw handle.  
The broken line showing of the blade is provided for purposes of environment and form no part of the claimed design. The portions of the saw handle described by broken lines, form no part of the claimed design.

(56) **References Cited**

**U.S. PATENT DOCUMENTS**

D317,395 S *	6/1991	Landahl	.....	D8/97
D395,218 S *	6/1998	Martin	.....	D8/97

**1 Claim, 4 Drawing Sheets**



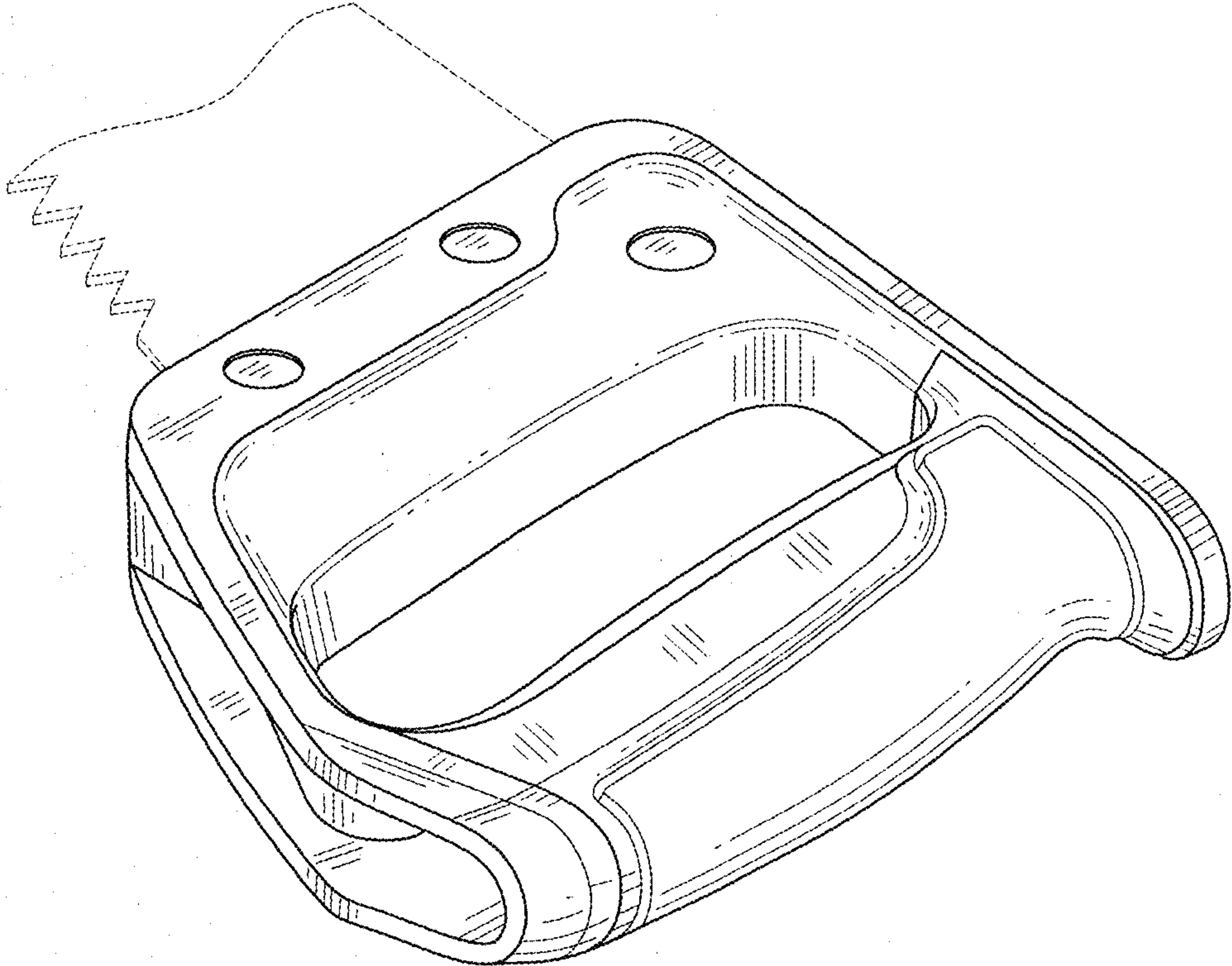


FIG. 1

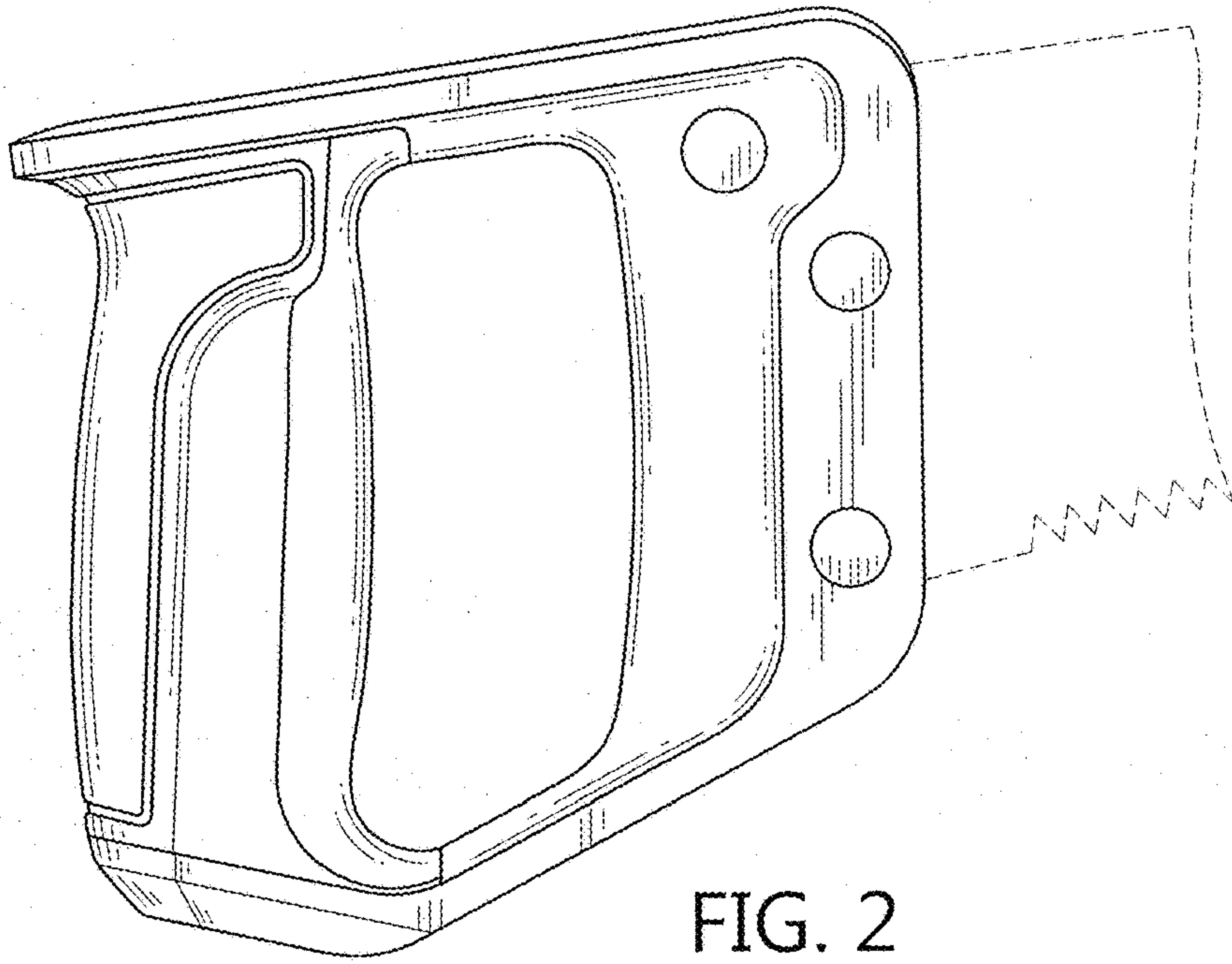


FIG. 2

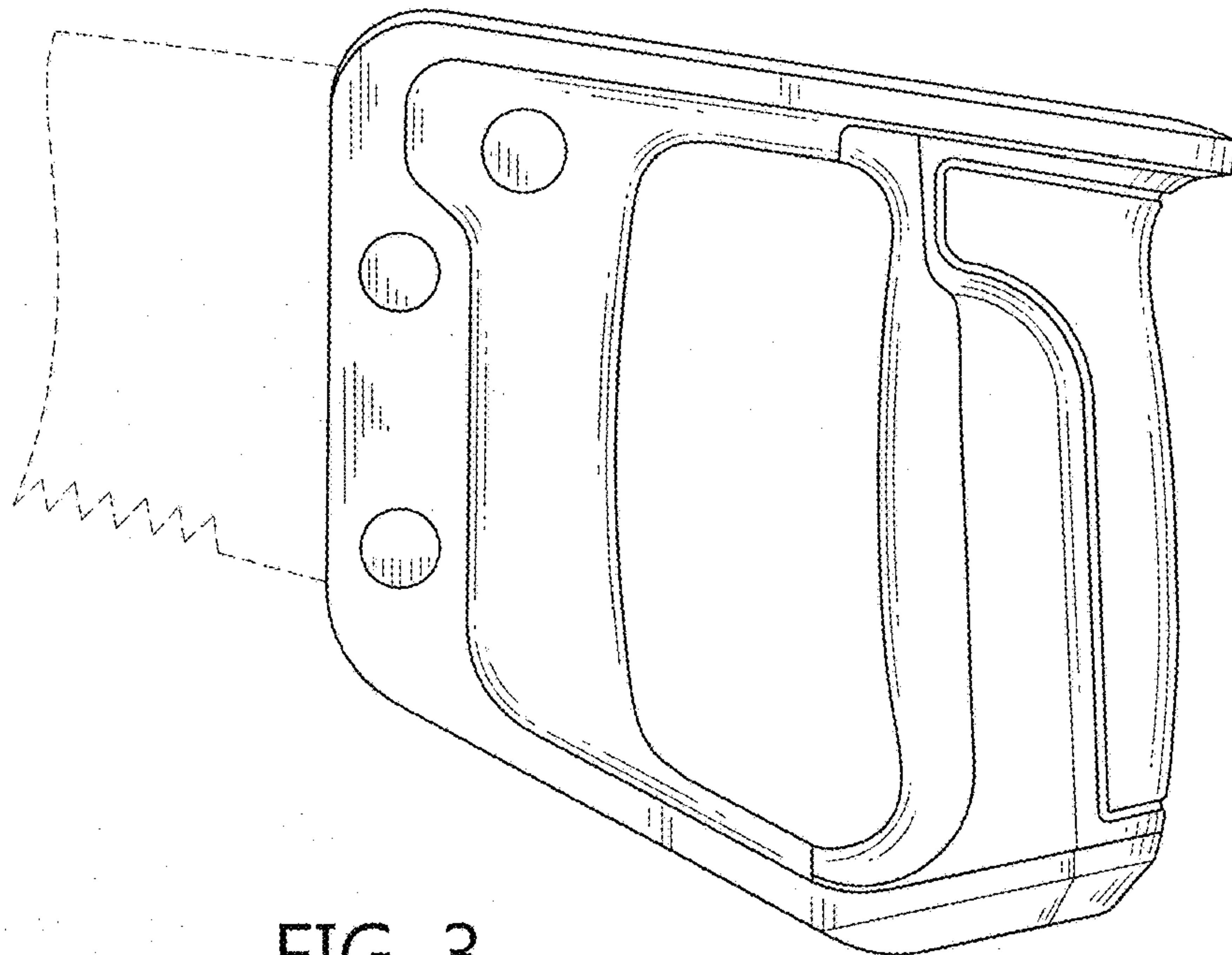


FIG. 3

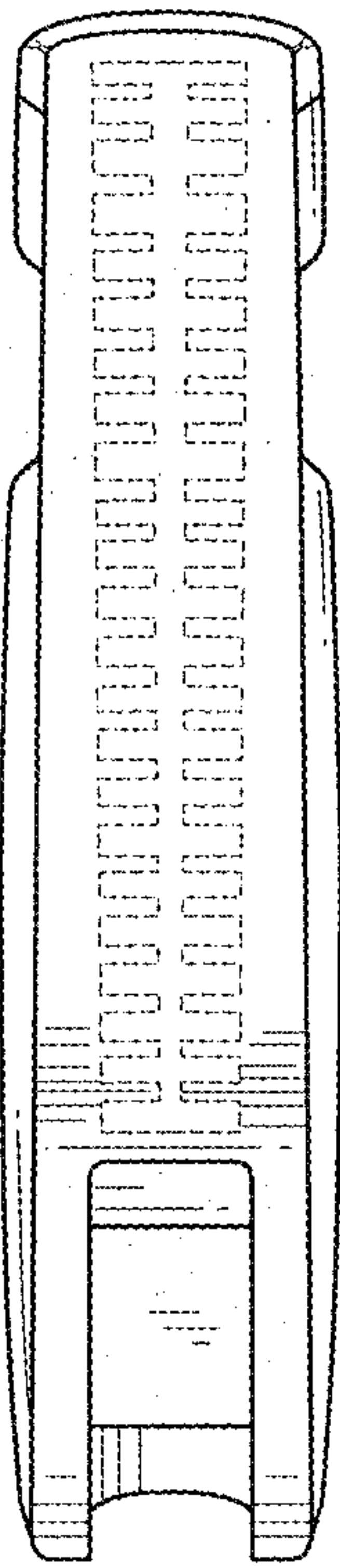


FIG. 4

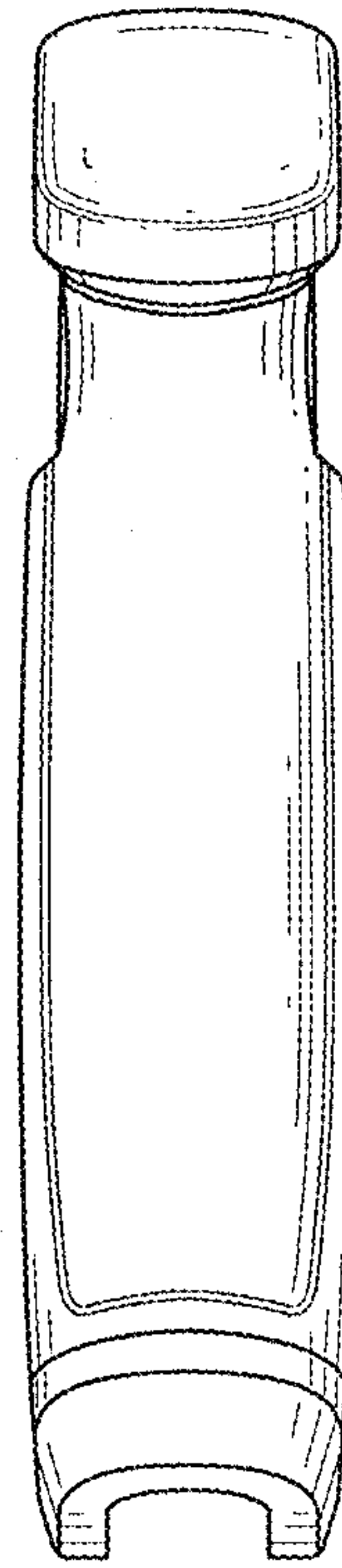


FIG. 5



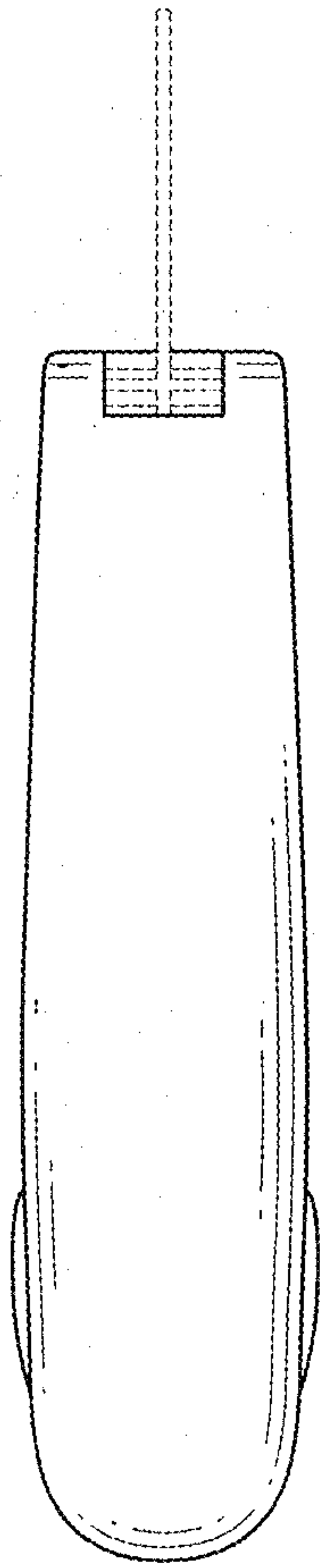


FIG. 6

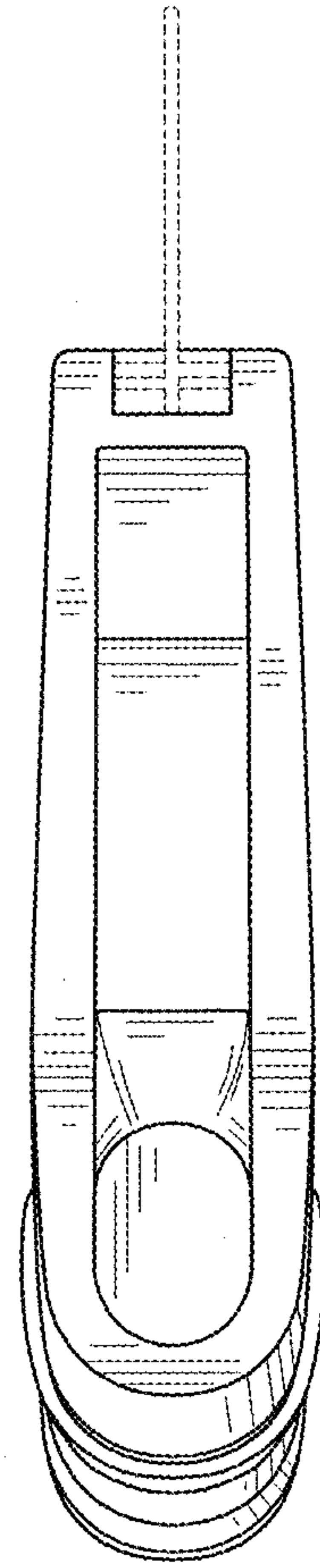


FIG. 7