



US00D823660S

(12) **United States Design Patent**
Pirrone et al.

(10) **Patent No.:** **US D823,660 S**
(45) **Date of Patent:** **** Jul. 24, 2018**

(54) **FIRE AXE WITH PRY BAR ENTRY DEVICE**

D299,414 S * 1/1989 Bajza D8/105
D329,366 S * 9/1992 Ragoonath D8/105
5,315,724 A * 5/1994 Trujillo B25F 1/00
7/145

(71) Applicant: **The Ontario Knife Company,**
Franklinville, NY (US)

(Continued)

(72) Inventors: **Deneb Pirrone,** Franklinville, NY (US);
Paul Tsujimoto, Franklinville, NY
(US); **Andrew Yates,** Franklinville, NY
(US); **Kenneth Trbovich,** Franklinville,
NY (US)

FOREIGN PATENT DOCUMENTS

CA 2296048 A1 * 7/2001 A62B 3/005
CN 302411612 S 4/2013

(Continued)

(73) Assignee: **The Ontario Knife Company,**
Franklinville, NY (US)

OTHER PUBLICATIONS

Ammoland; OKC Releases New Fire Axe/Halligan/Hydrant-
Wrench Developed for Firefighters; Retrieved from <https://www.ammoland.com>; Retrieved on Apr. 11, 2018 <https://www.ammoland.com/2017/04/okc-releases-new-fire-axe-halligan-hydrant-wrench-developed-firefighters/#axzz5CNwPYONq>; Apr. 19, 2017 (Year: 2017).*

(Continued)

(**) Term: **15 Years**

Primary Examiner — Wan Laymon
Assistant Examiner — Clint A Samuel

(21) Appl. No.: **29/596,473**

(74) *Attorney, Agent, or Firm* — Bond, Schoeneck &
King, PLLC

(22) Filed: **Mar. 8, 2017**

(51) **LOC (11) Cl.** **08-02**

(52) **U.S. Cl.**
USPC **D8/81; D8/76; D8/38**

(58) **Field of Classification Search**
USPC ... D8/11, 12, 47, 55, 76, 77, 78, 79, 81, 88,
D8/89, 90, 105; 30/308.1; 7/145, 161;
81/3.27, 3.55, 3.57, 488
CPC B26B 23/00; B25D 7/00; B25D 7/006;
A62C 8/00; A62C 8/04; B27L 7/06;
B25F 1/00

See application file for complete search history.

(57) **CLAIM**

The ornamental design for a fire axe with pry bar entry device, as shown and described.

DESCRIPTION

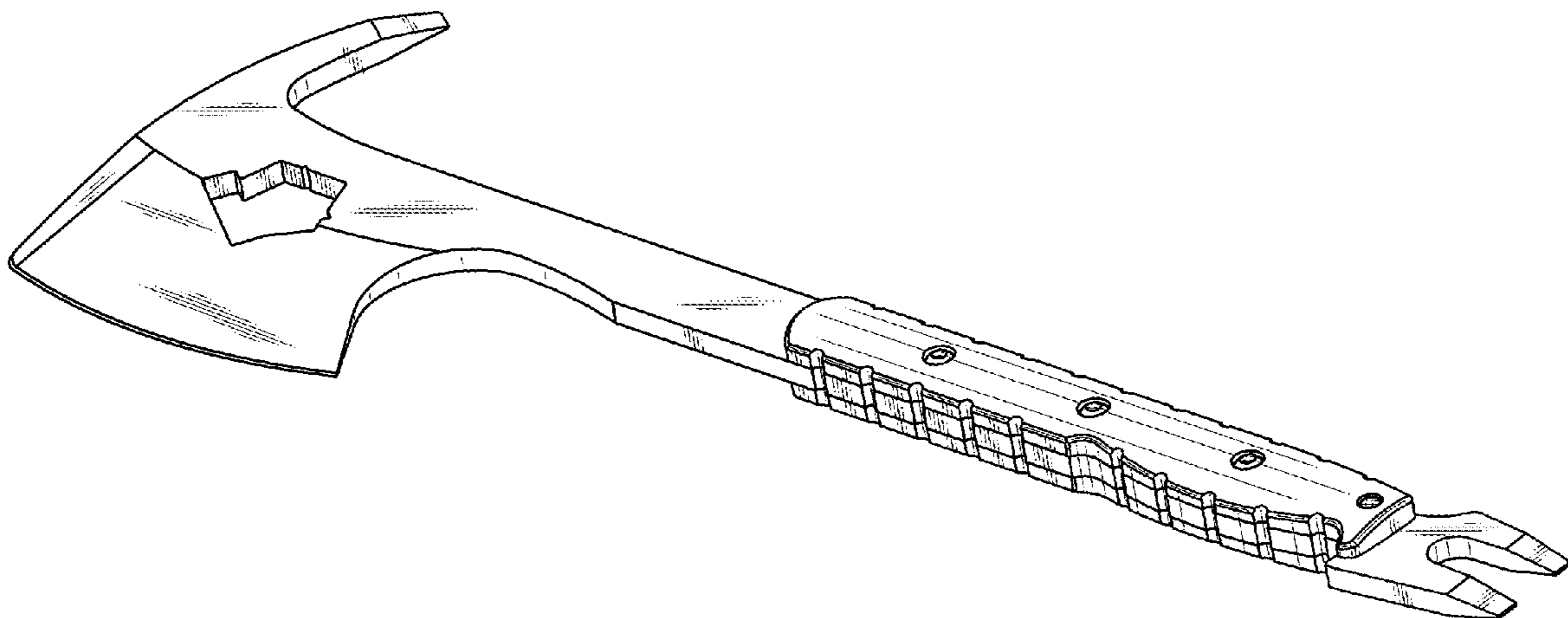
FIG. 1 is a perspective view of a fire axe with pry bar entry device in accordance with the present invention; FIG. 2 is a side elevational view thereof; FIG. 3 is an end view looking to right in FIG. 2; FIG. 4 is an end view looking to left in FIG. 2; FIG. 5 is a top plan view thereof; FIG. 6 is a bottom plan view thereof; and, FIG. 7 is a side elevational view of the side opposite FIG. 2.

1 Claim, 2 Drawing Sheets

(56) **References Cited**

U.S. PATENT DOCUMENTS

1,923,964 A * 8/1933 Benton B25F 1/006
7/145
D120,609 S * 5/1940 Arnsbarger D8/76
3,599,255 A * 8/1971 Carroll, Sr. B25F 1/00
254/26 R
D233,405 S * 10/1974 Frey D8/105
3,882,560 A * 5/1975 Carrer B25F 1/02
7/114
D266,902 S * 11/1982 Tarran D8/105



(56)

References Cited

U.S. PATENT DOCUMENTS

6,397,420 B1 * 6/2002 Roxton A62B 3/005
7/145
6,568,016 B1 * 5/2003 Hoogland A62B 3/005
30/308.1
D504,289 S * 4/2005 Kelleghan D8/38
D507,167 S * 7/2005 Richardson D8/105
D518,343 S * 4/2006 Kelleghan D8/38
D595,555 S * 7/2009 Vanderbeek D8/81
D598,726 S * 8/2009 Higgs D8/81
7,735,172 B2 * 6/2010 Newton A62C 8/00
7/145
D639,131 S * 6/2011 Winsor D8/105
D732,365 S * 6/2015 Oddy D8/76
D753,456 S * 4/2016 Kao D8/81
D767,965 S * 10/2016 Seeds D8/76
D795,667 S * 8/2017 Chen D8/79
D808,764 S * 1/2018 Weinberger D8/105
2004/0261188 A1 * 12/2004 Mathis B25D 1/00
7/145

FOREIGN PATENT DOCUMENTS

CN 303839701 S 9/2016
CN 303860671 S 9/2016
CN 303875652 S 10/2016
CN 303984851 S 12/2016
TW D160773 6/2014
TW D180442 1/2017
WO WO-2017197412 A1 * 11/2017 A45F 5/14

OTHER PUBLICATIONS

Taiwanese Search Report (including English-language translation) issued by the Taiwan Intellectual Property Office in a counterpart application indicating the categories of relevance for each foreign patent document listed above.

* cited by examiner

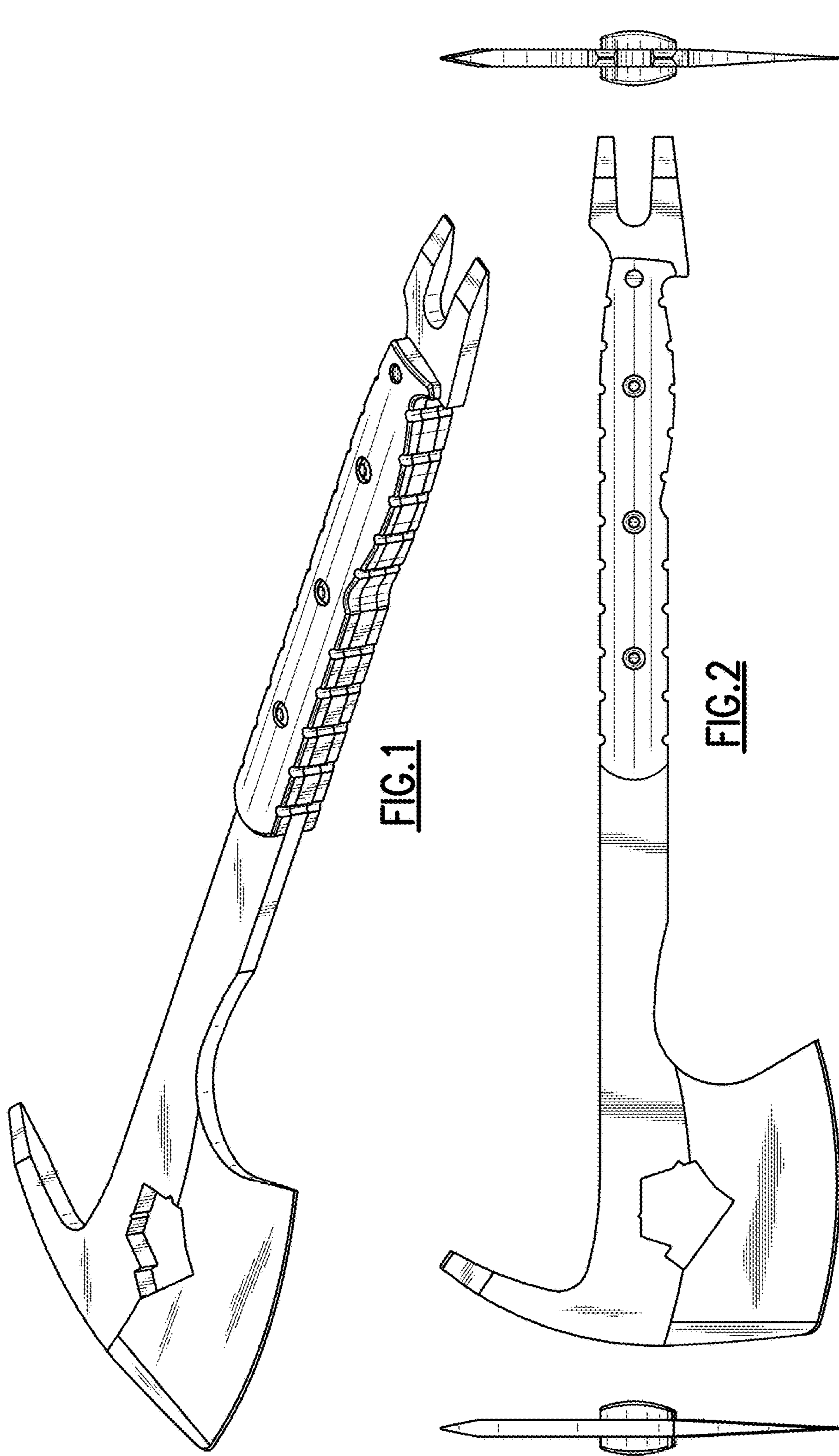


FIG. 1

FIG. 2

FIG. 3

FIG. 4

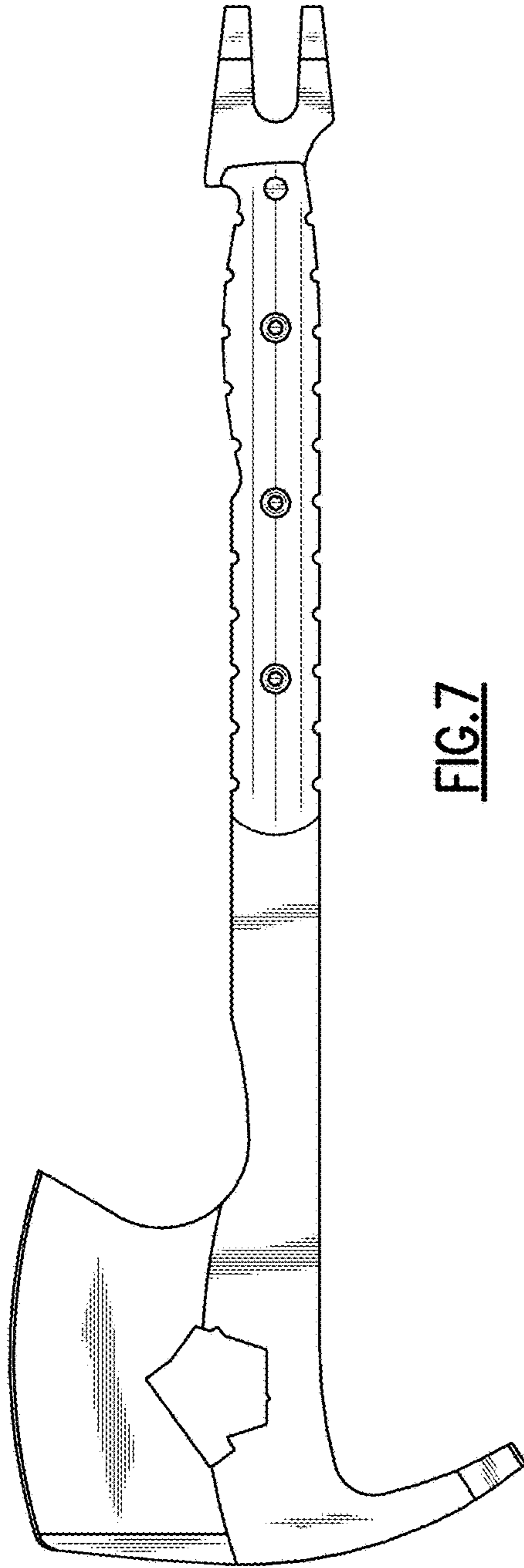


FIG. 7

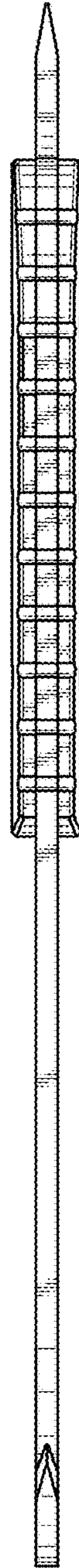


FIG. 5

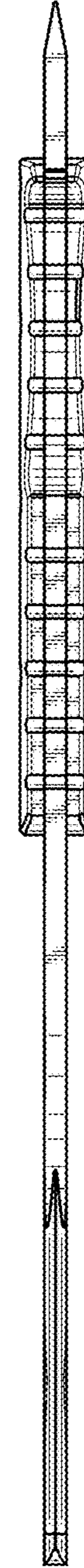


FIG. 6