



US00D823659S

(12) **United States Design Patent**  
**Aoki et al.**

(10) **Patent No.:** **US D823,659 S**  
(45) **Date of Patent:** **\*\* Jul. 24, 2018**

- (54) **PORTABLE ELECTRIC NAILER**
- (71) Applicant: **Hitachi Koki Co., Ltd.**, Minato-Ku, Tokyo (JP)
- (72) Inventors: **Yoshiki Aoki**, Hitachinaka (JP); **Shuji Takeda**, Hitachinaka (JP); **Mizuho Nakamura**, Hitachinaka (JP)
- (73) Assignee: **Hitachi Koki Co., Ltd.**, Minato-ku, Tokyo (JP)
- (\*\*) Term: **15 Years**
- (21) Appl. No.: **29/596,572**
- (22) Filed: **Mar. 9, 2017**
- (30) **Foreign Application Priority Data**
  - Sep. 9, 2016 (JP) ..... 2016-019571
  - Sep. 9, 2016 (JP) ..... 2016-019572
- (51) **LOC (11) Cl.** ..... **08-05**
- (52) **U.S. Cl.**  
USPC ..... **D8/68**
- (58) **Field of Classification Search**  
USPC ..... D8/61-70  
CPC .. B25C 1/001; B25C 1/04; B25C 1/06; B25C 1/041; B25C 1/047  
See application file for complete search history.

- D514,911 S \* 2/2006 Thomas ..... D8/69
- D532,668 S \* 11/2006 Wen ..... D8/69
- D660,122 S \* 5/2012 Hotta ..... D8/69
- D699,535 S \* 2/2014 Albrecht ..... D8/68
- D713,704 S \* 9/2014 Wang ..... D8/68
- D724,404 S \* 3/2015 Fischer-Zernin ..... D8/68

(Continued)

*Primary Examiner* — Darlington Ly  
(74) *Attorney, Agent, or Firm* — Banner & Witcoff, Ltd.

(57) **CLAIM**

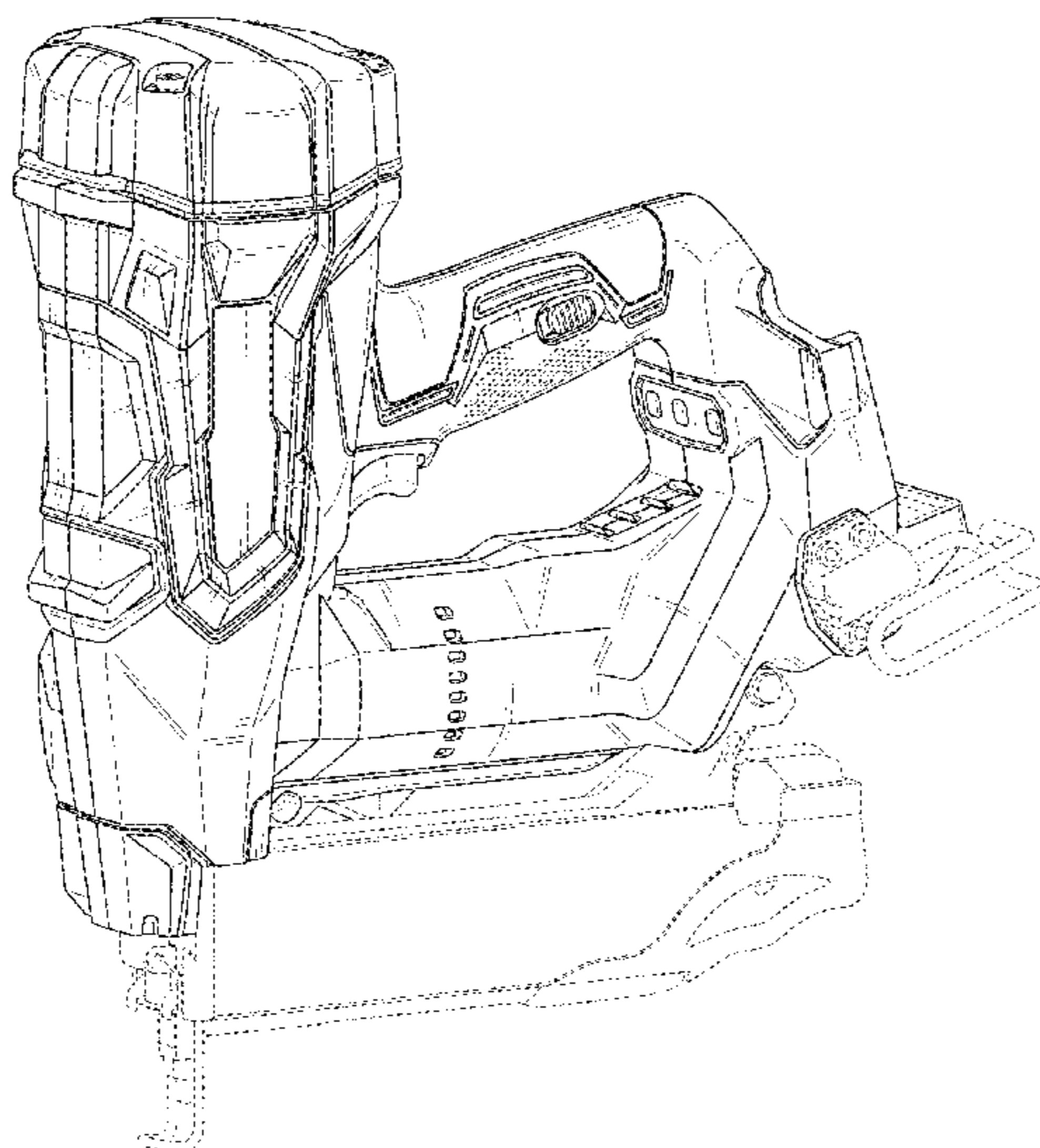
The ornamental design for a portable electric nailer, as shown and described.

**DESCRIPTION**

FIG. 1 is a top, front, and left side perspective view of a portable electric nailer showing our new design in accordance to a first embodiment;  
 FIG. 2 is a top, rear, and right side perspective view thereof;  
 FIG. 3 is a front elevation view thereof;  
 FIG. 4 is a rear elevation view thereof;  
 FIG. 5 is a left side elevation view thereof;  
 FIG. 6 is a right side elevation view thereof;  
 FIG. 7 is a top plan view thereof; and  
 FIG. 8 is a bottom plan view thereof.  
 FIG. 9 is a top, front, and left side perspective view of a portable electric nailer showing our new design in accordance to a second embodiment;  
 FIG. 10 is a top, rear, and right side perspective view thereof;  
 FIG. 11 is a front elevation view thereof;  
 FIG. 12 is a rear elevation view thereof;  
 FIG. 13 is a left side elevation view thereof;  
 FIG. 14 is a right side elevation view thereof;  
 FIG. 15 is a top plan view thereof; and,  
 FIG. 16 is a bottom plan view thereof.  
 The broken lines in the drawings illustrate portions of the portable electric nailer that form no part of the claimed design.

- (56) **References Cited**  
U.S. PATENT DOCUMENTS
  - D353,664 S \* 12/1994 Eminger ..... D8/69
  - D483,240 S \* 12/2003 Garvis ..... D8/68
  - D484,383 S \* 12/2003 Yang ..... D8/68
  - D484,765 S \* 1/2004 Yang ..... D8/68
  - D500,655 S \* 1/2005 Leasure ..... D8/69
  - 6,913,180 B2 \* 7/2005 Schuster ..... B25C 1/005  
227/109
  - D512,620 S \* 12/2005 Thomas ..... D8/69

**1 Claim, 14 Drawing Sheets**



(56)

**References Cited**

U.S. PATENT DOCUMENTS

D787,290 S \* 5/2017 Meyer ..... D8/68  
2005/0001007 A1\* 1/2005 Butzen ..... B25C 1/005  
227/130  
2012/0292472 A1\* 11/2012 Segura ..... B25F 5/02  
248/225.21

\* cited by examiner

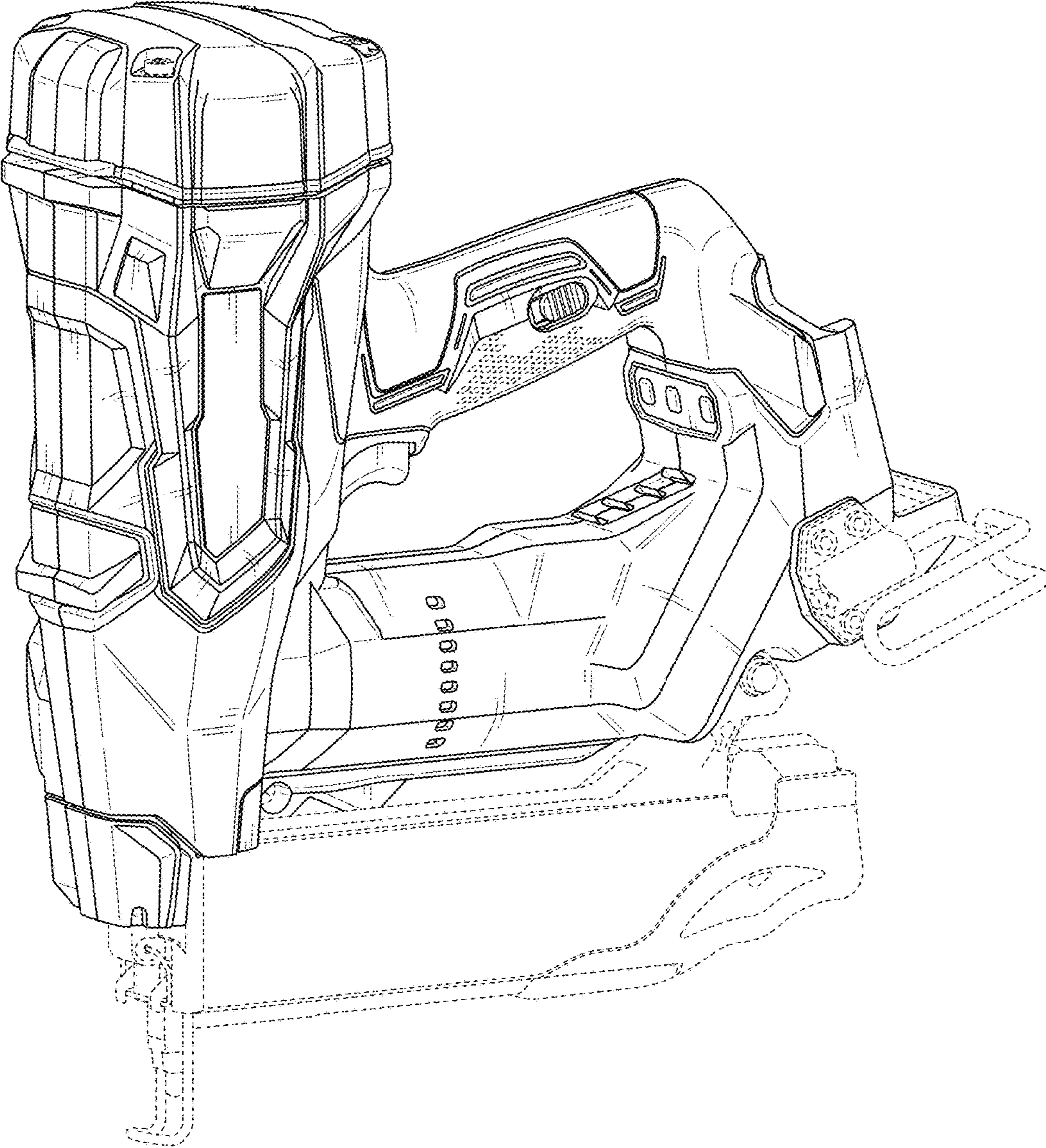


FIG. 1



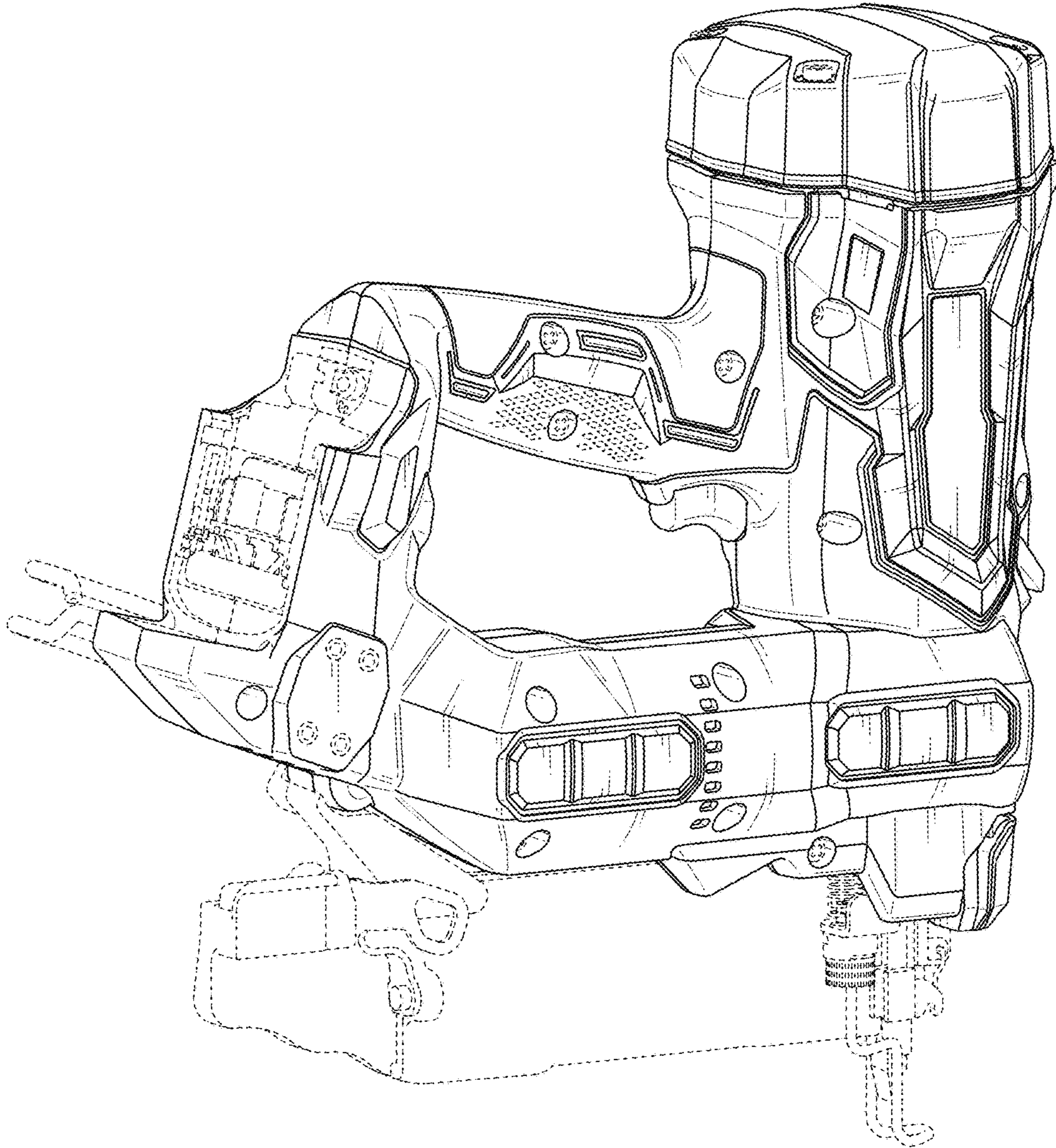


FIG. 2

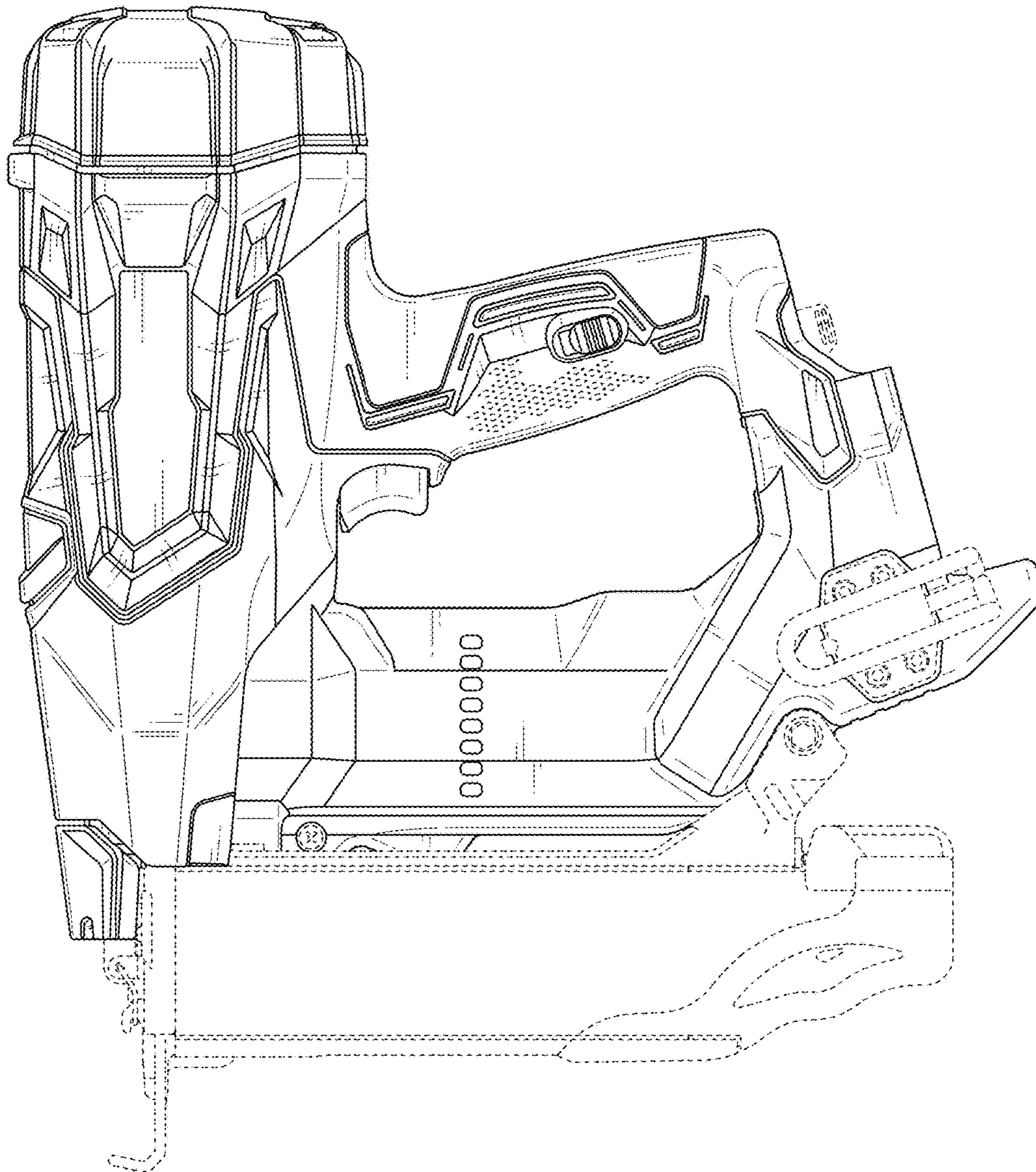


FIG. 3



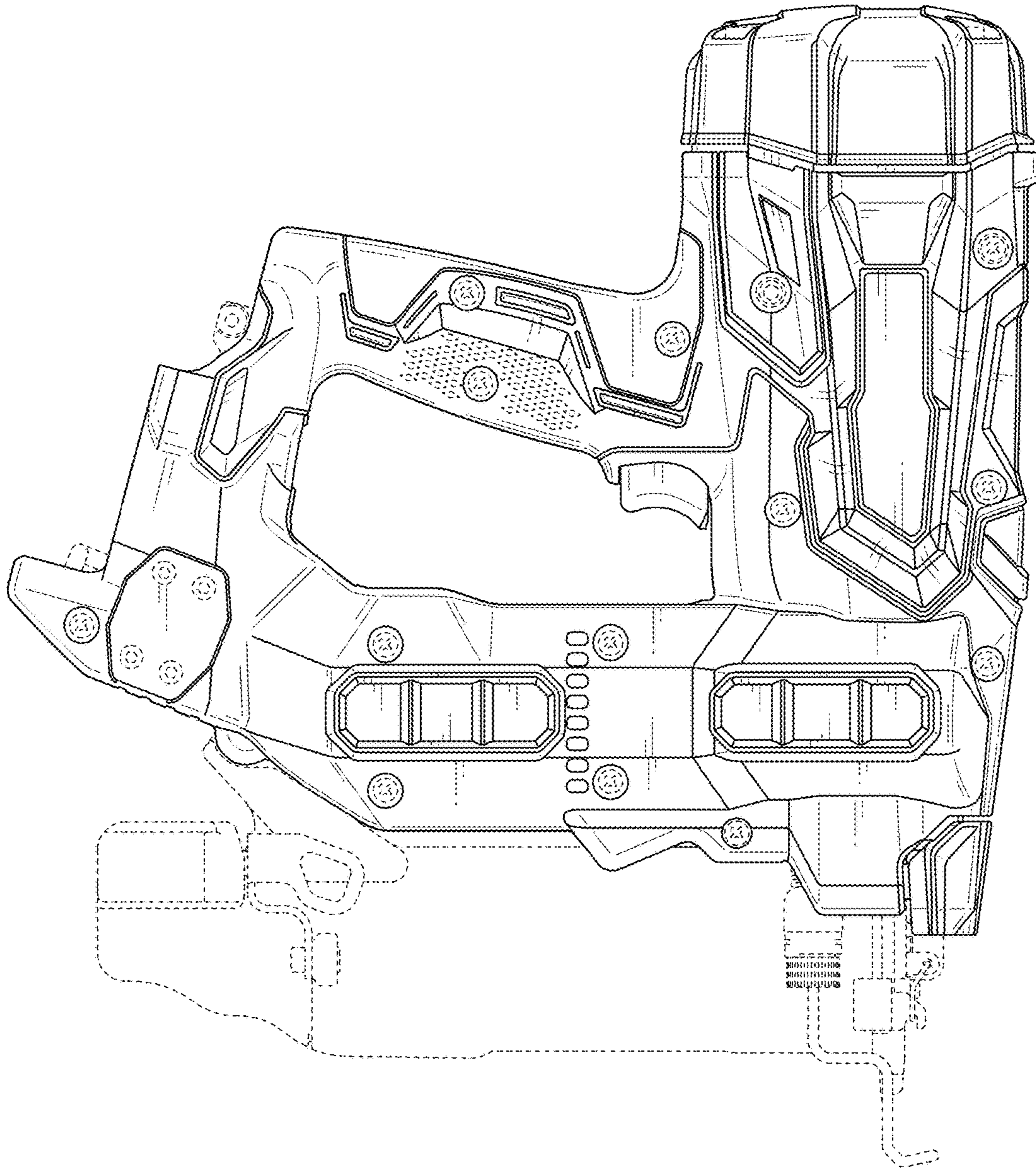


FIG. 4

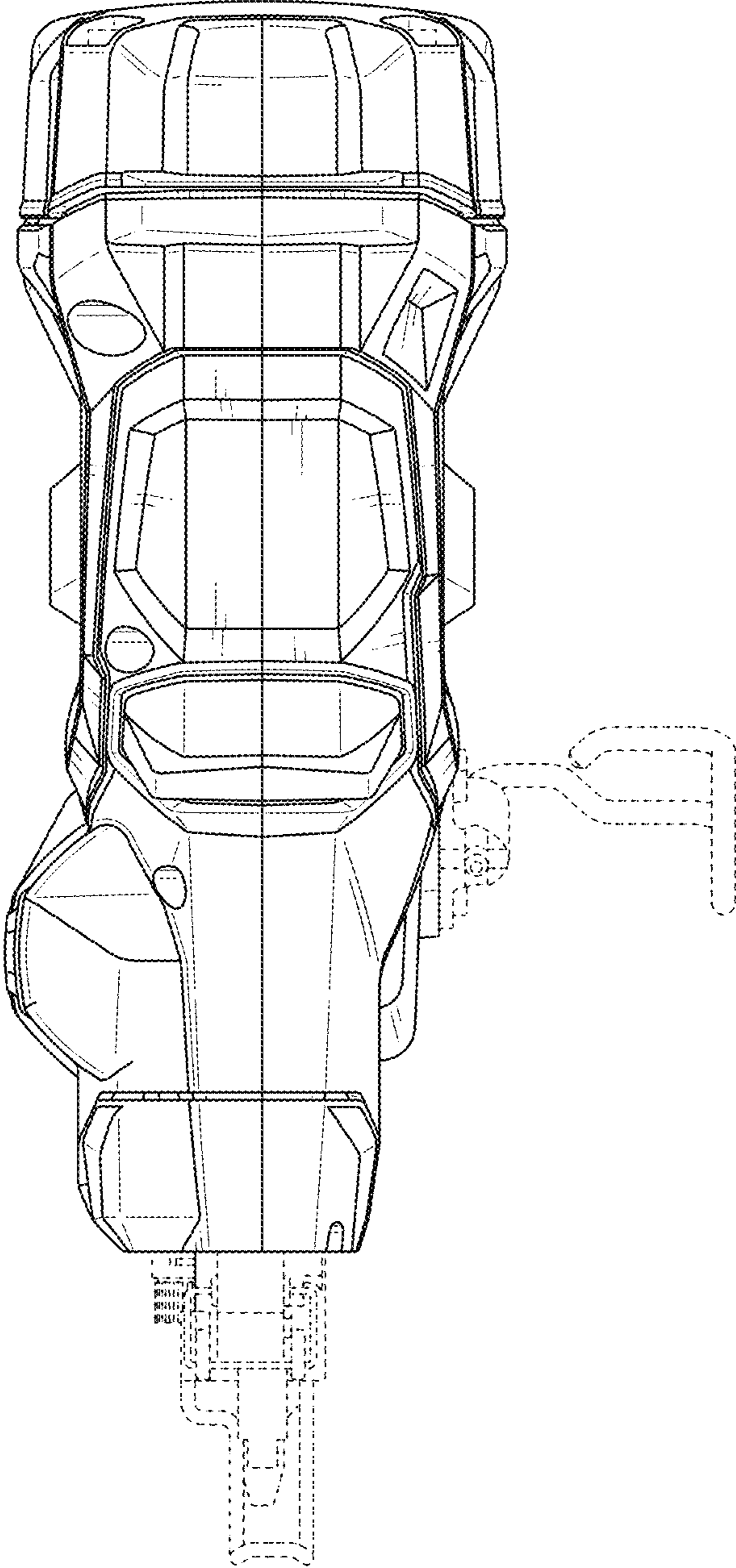


FIG. 5

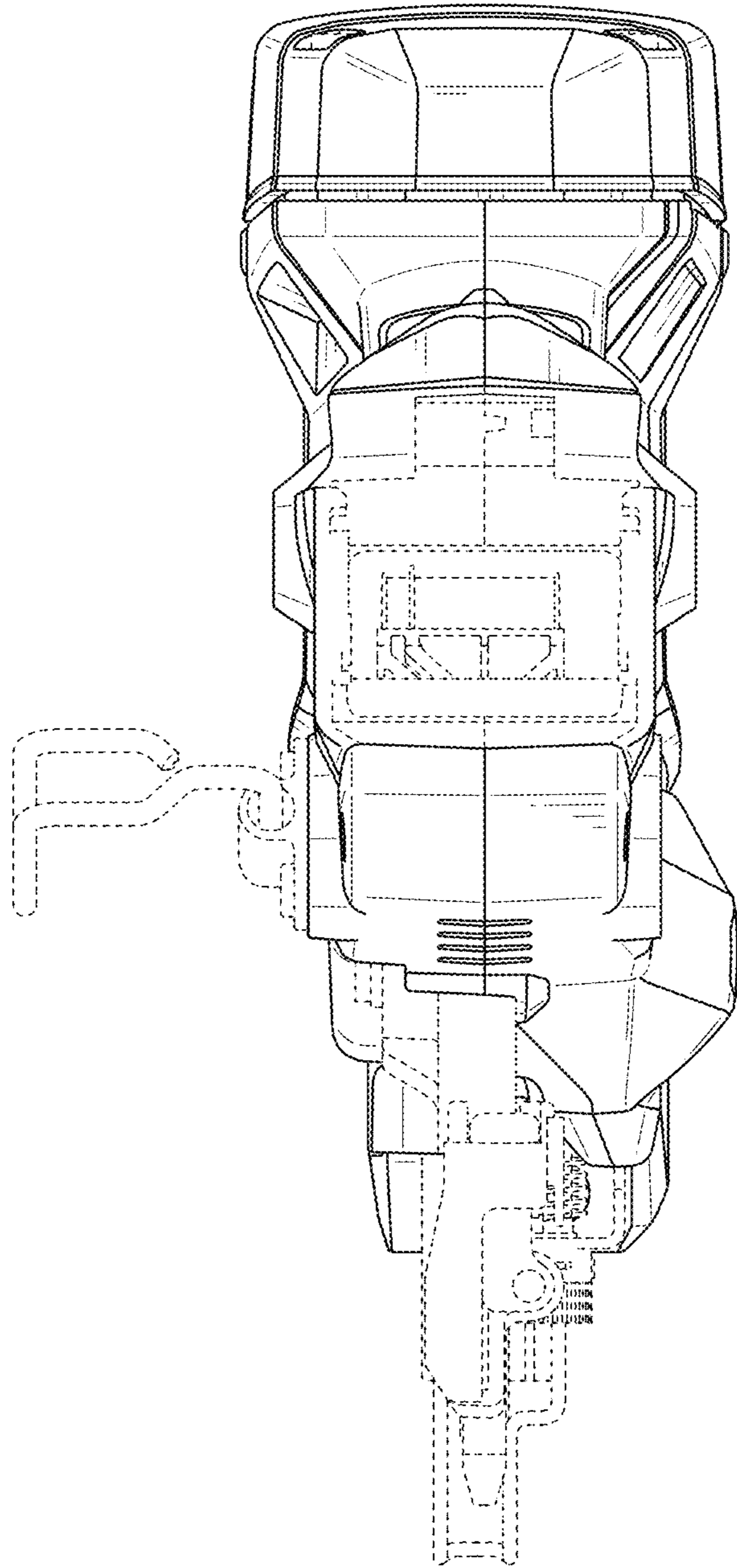


FIG. 6



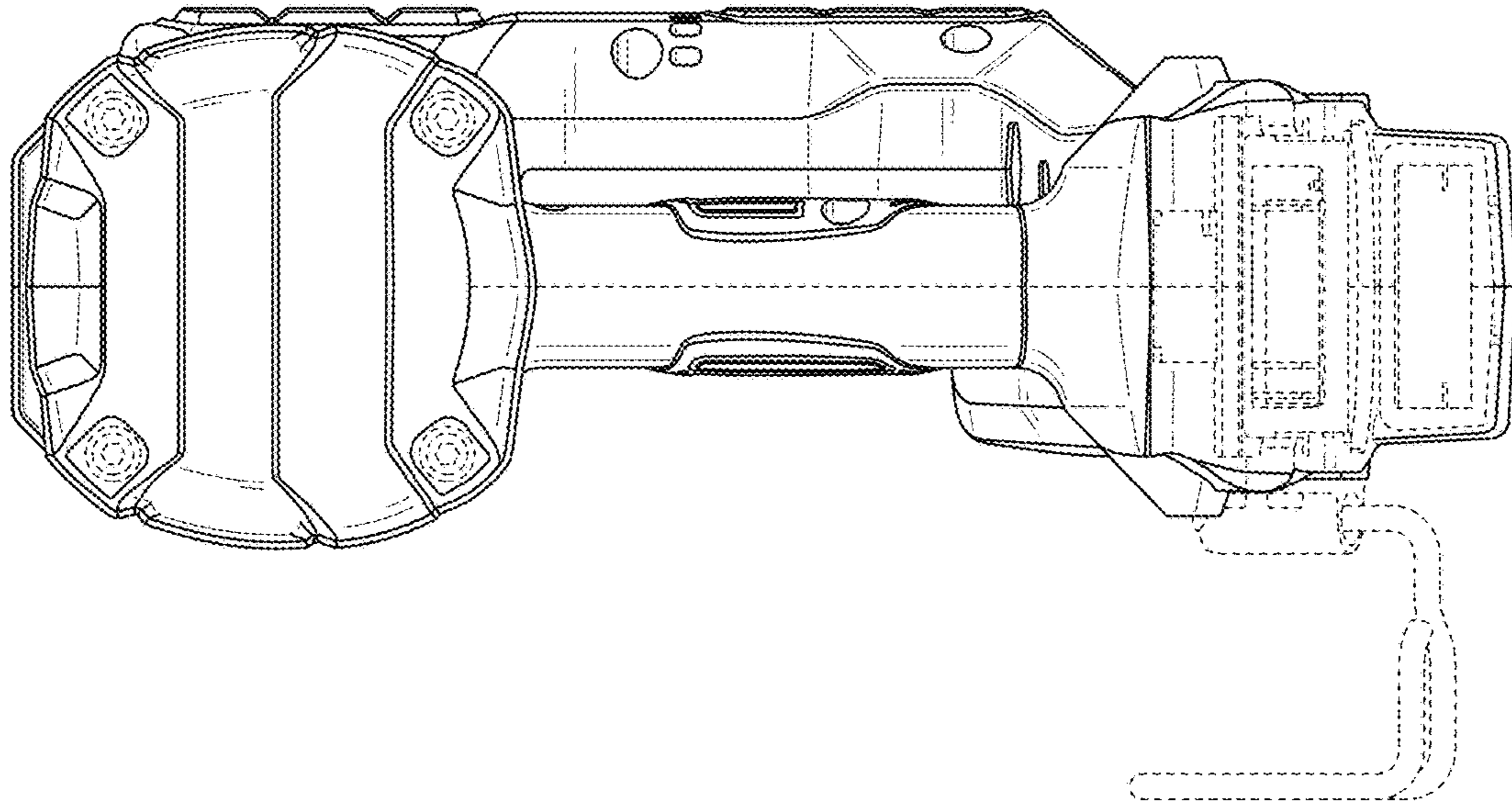


FIG. 7

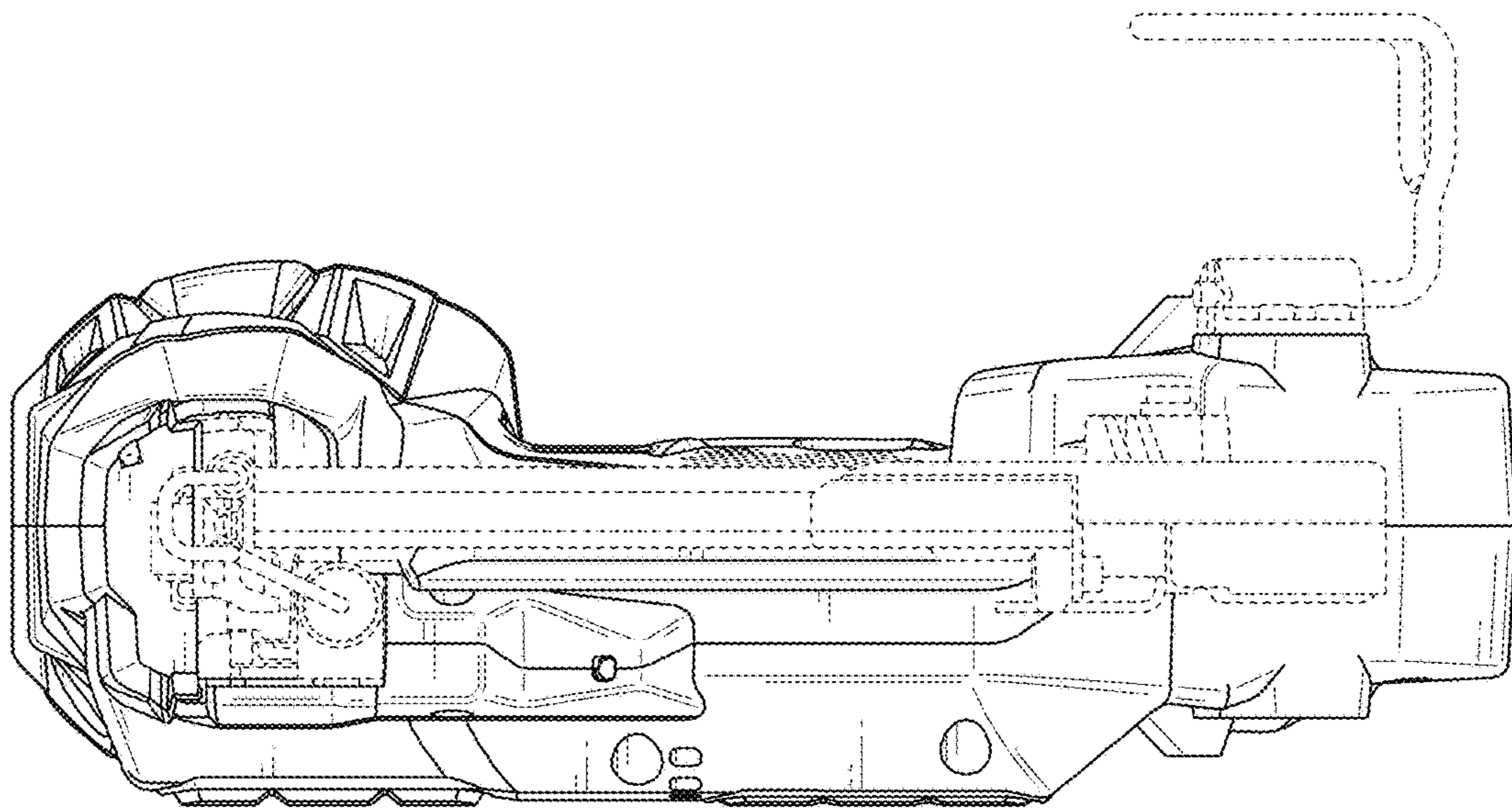


FIG. 8

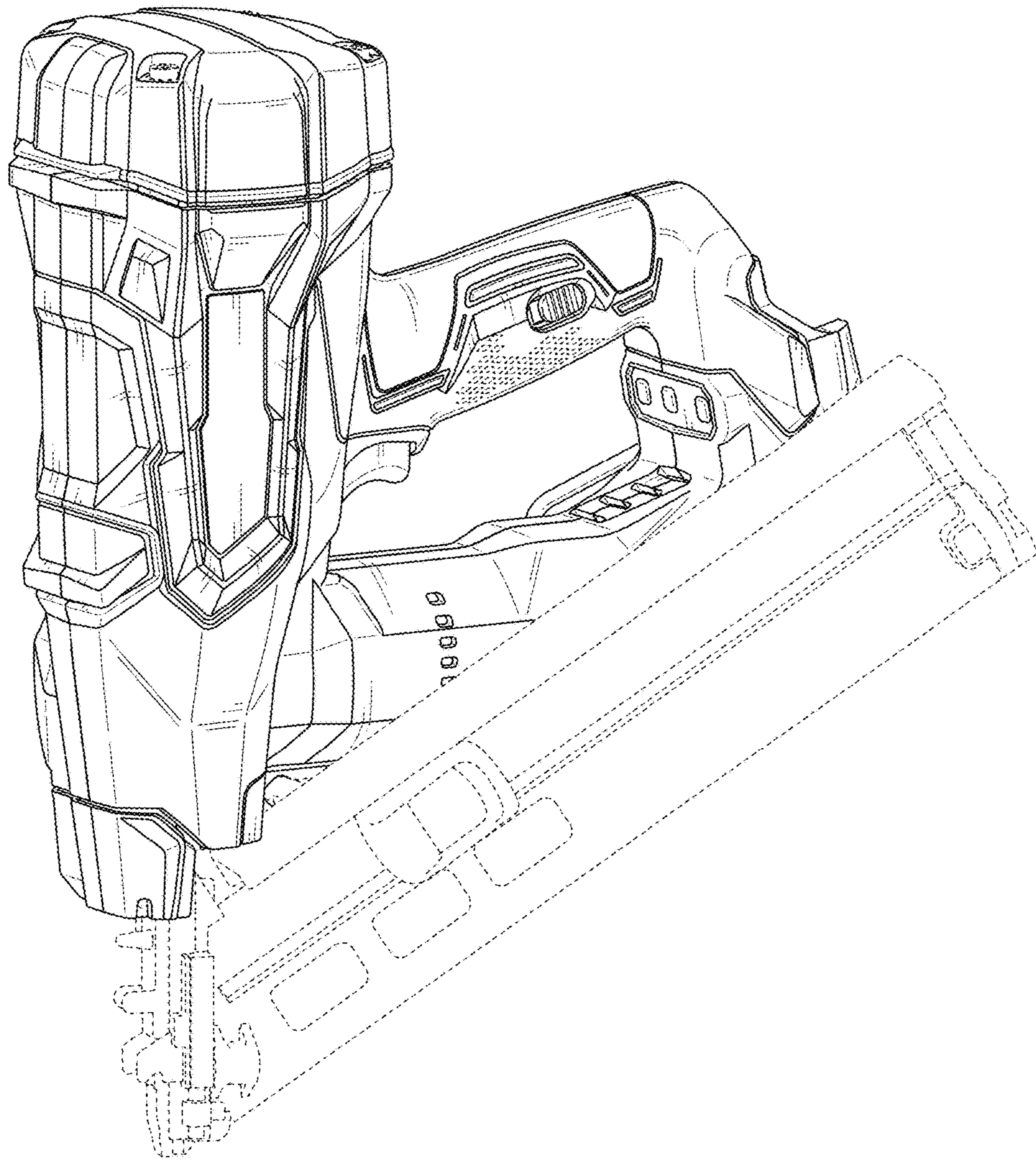


FIG. 9



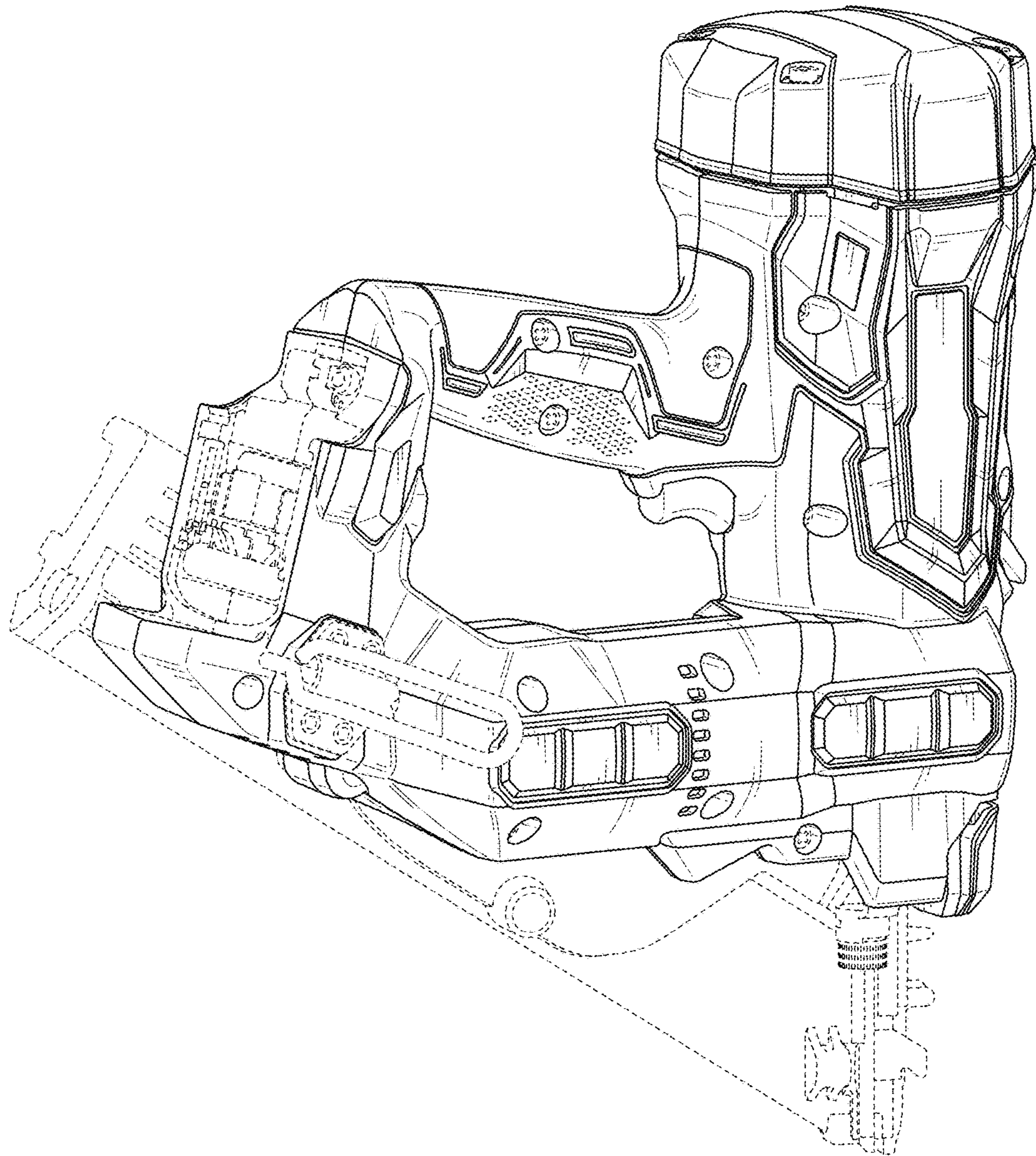


FIG. 10



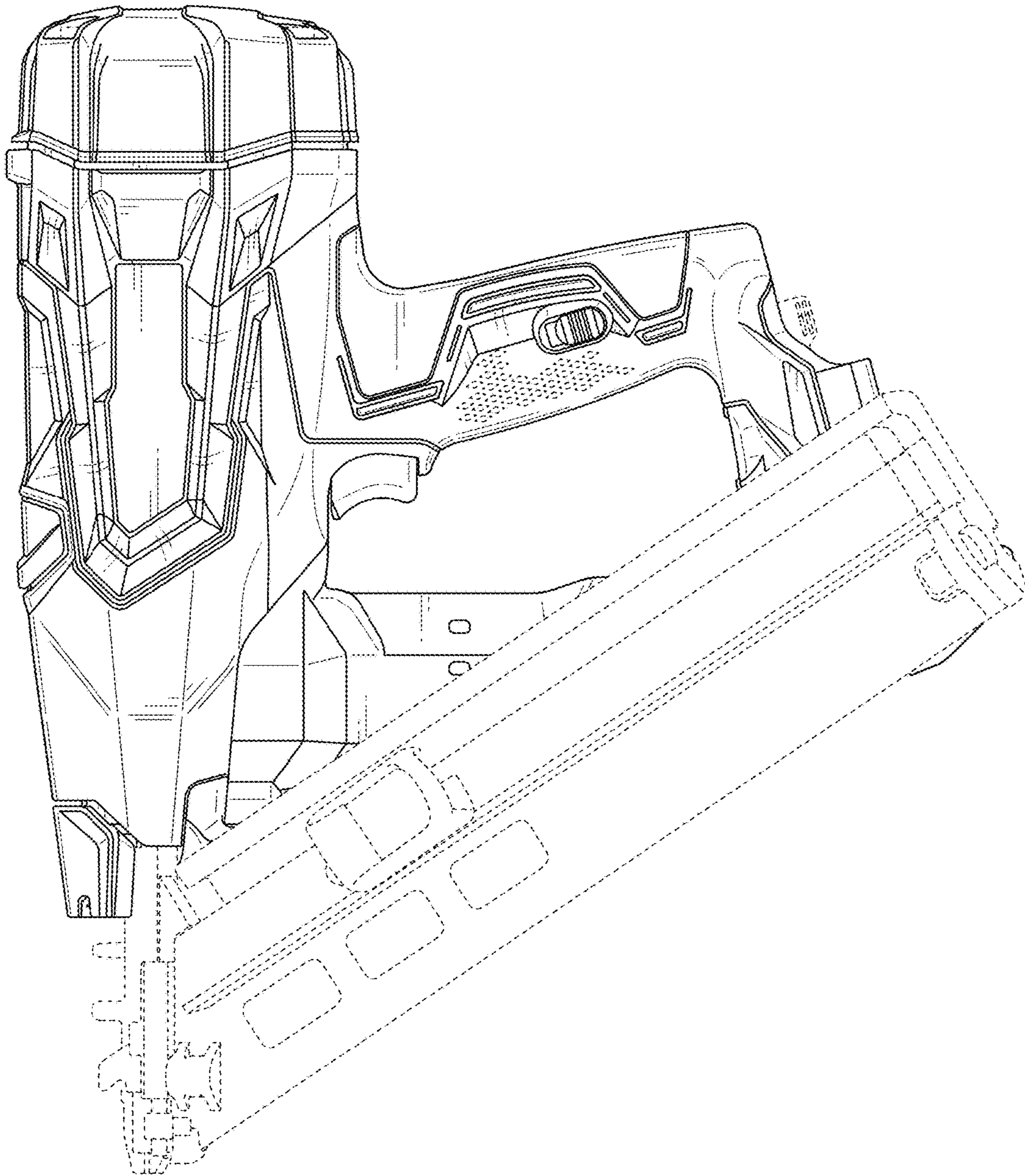


FIG. 11

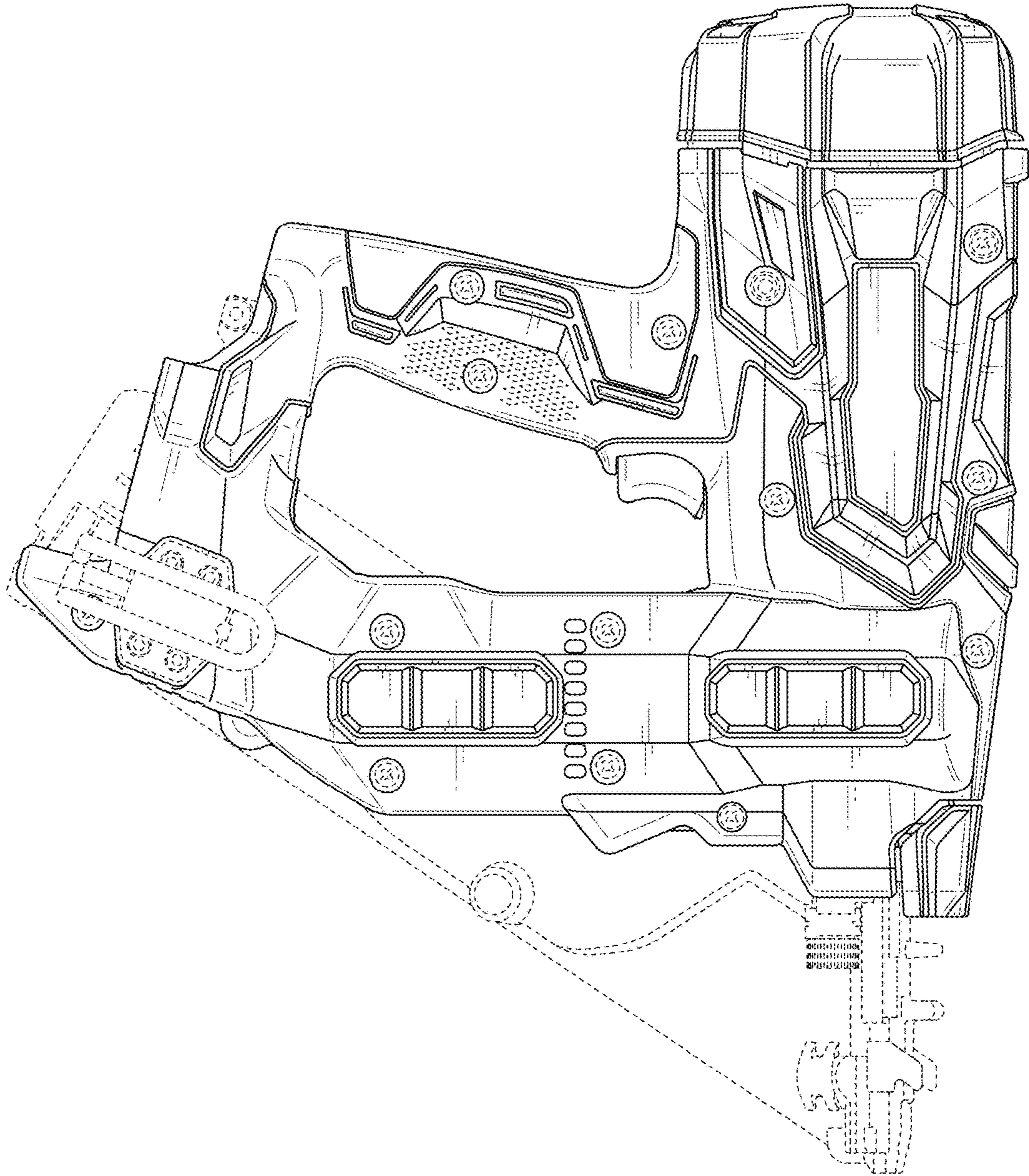
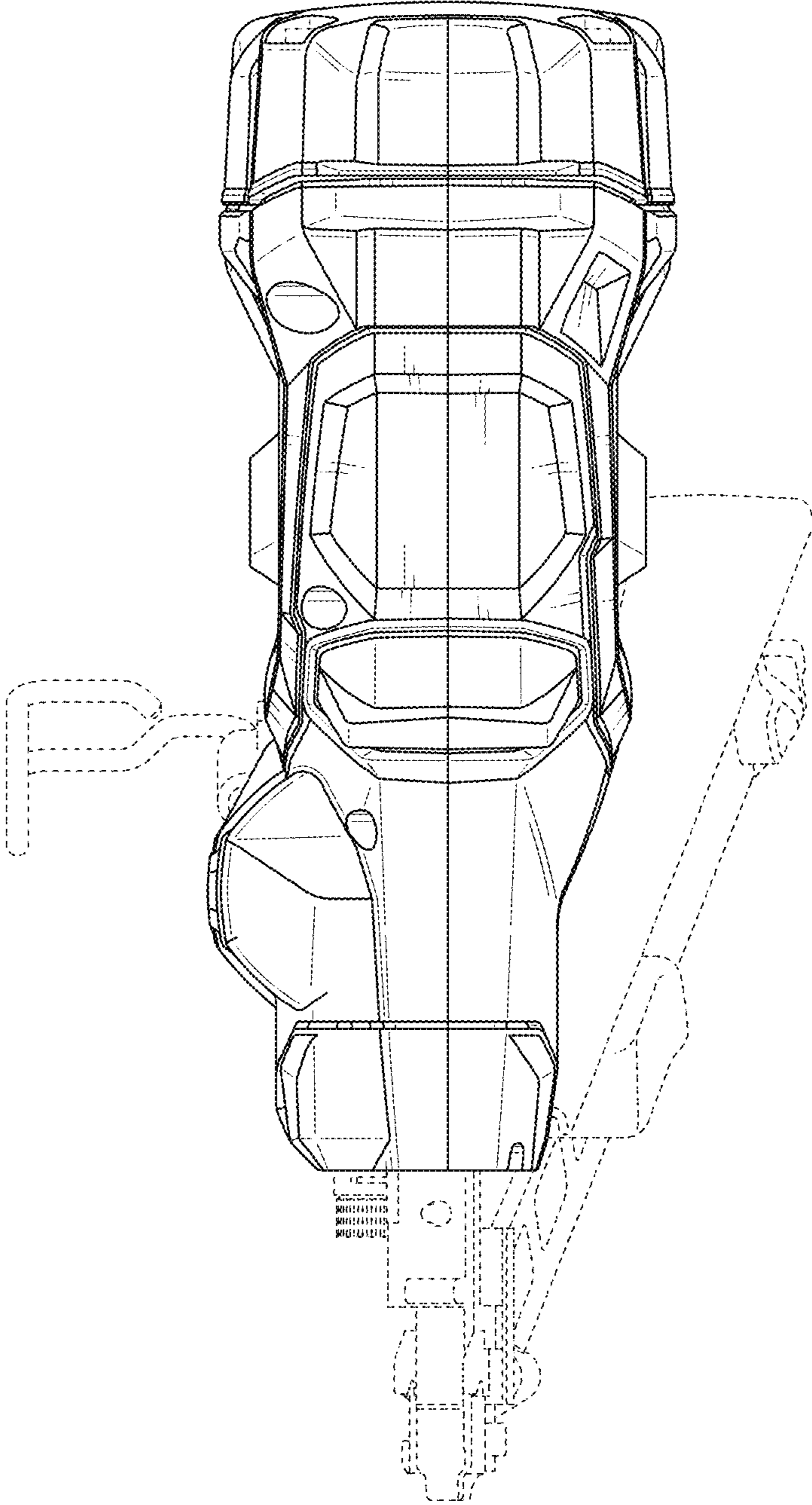
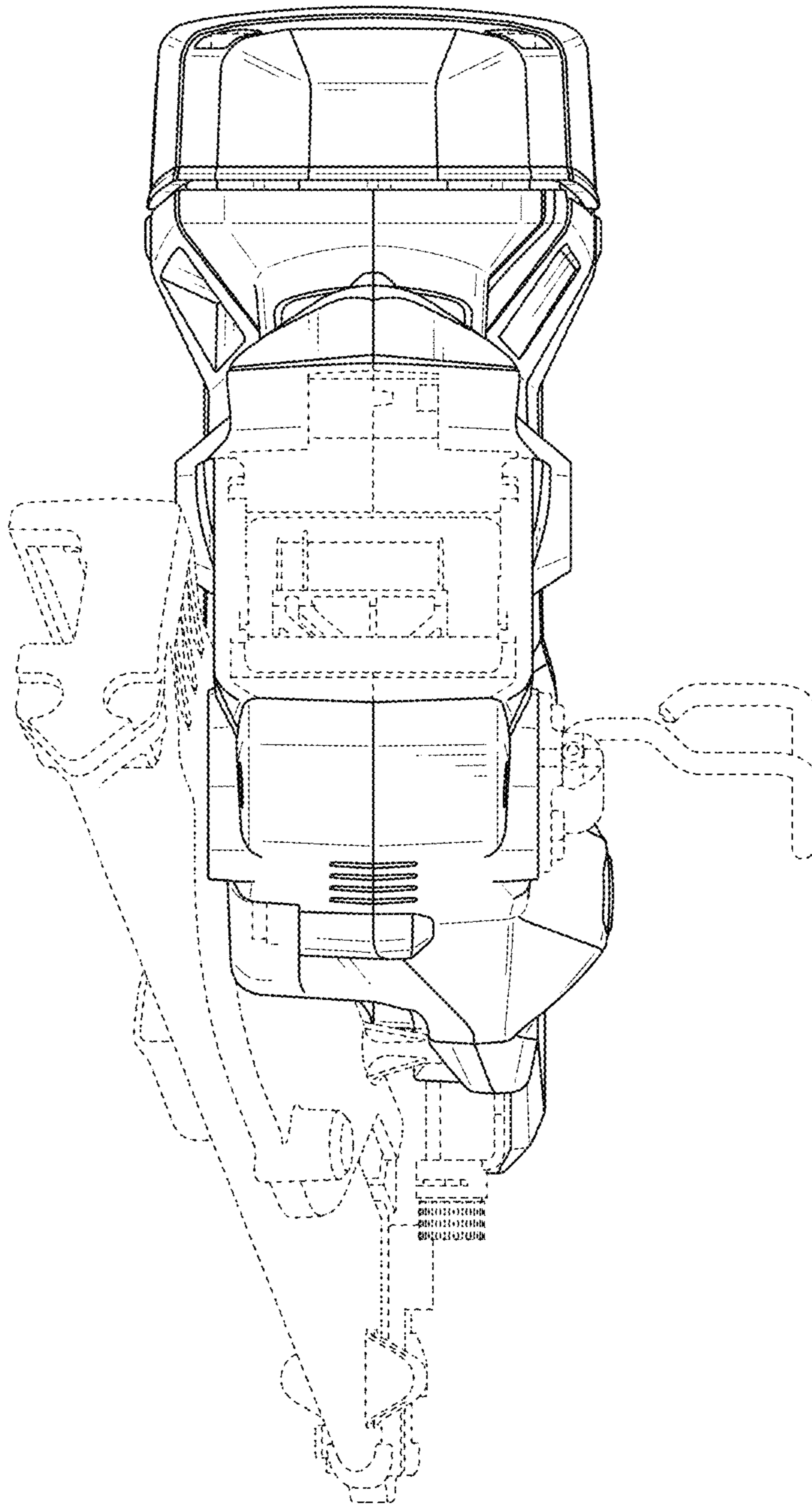


FIG. 12



**FIG. 13**





**FIG. 14**

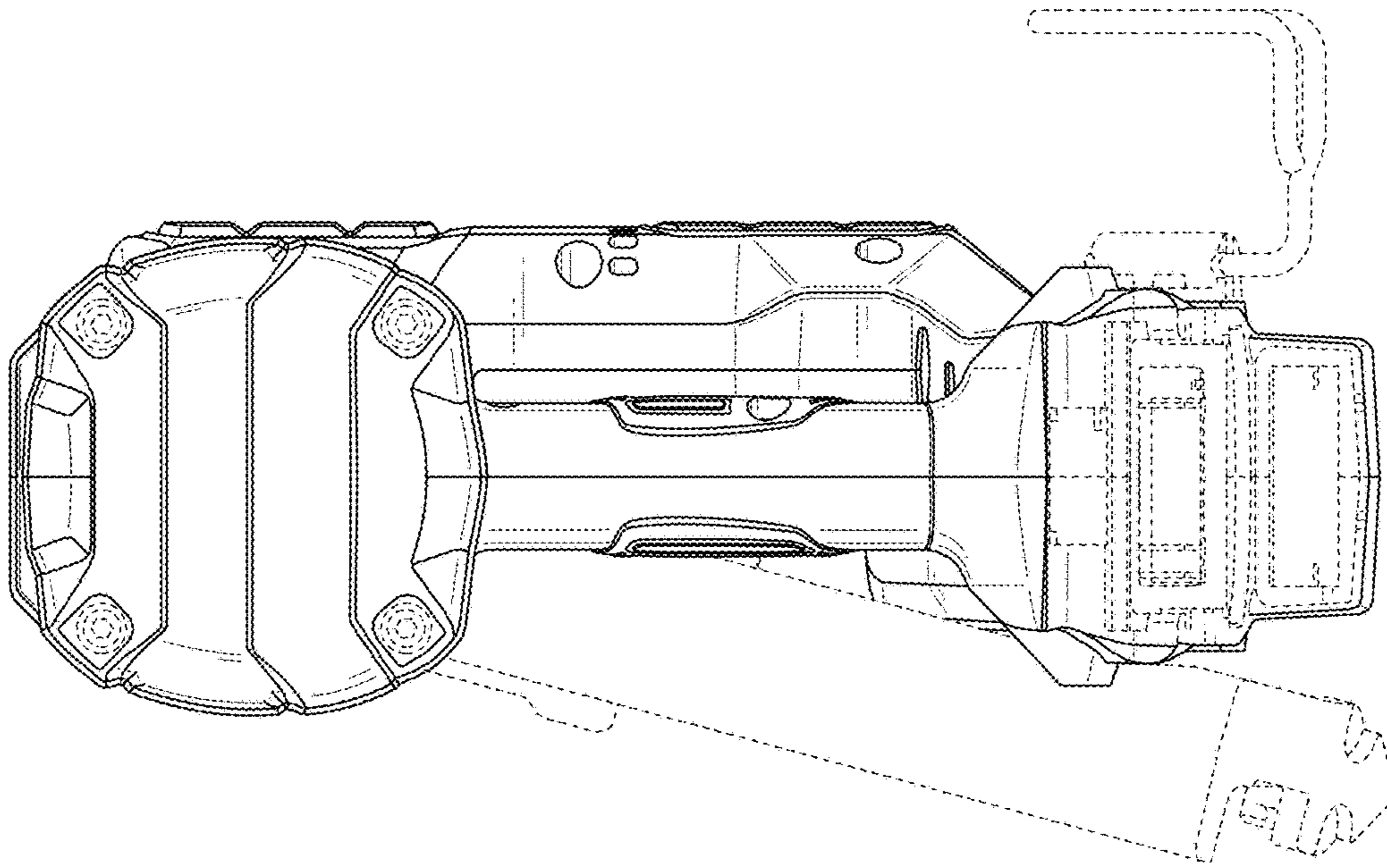


FIG. 15

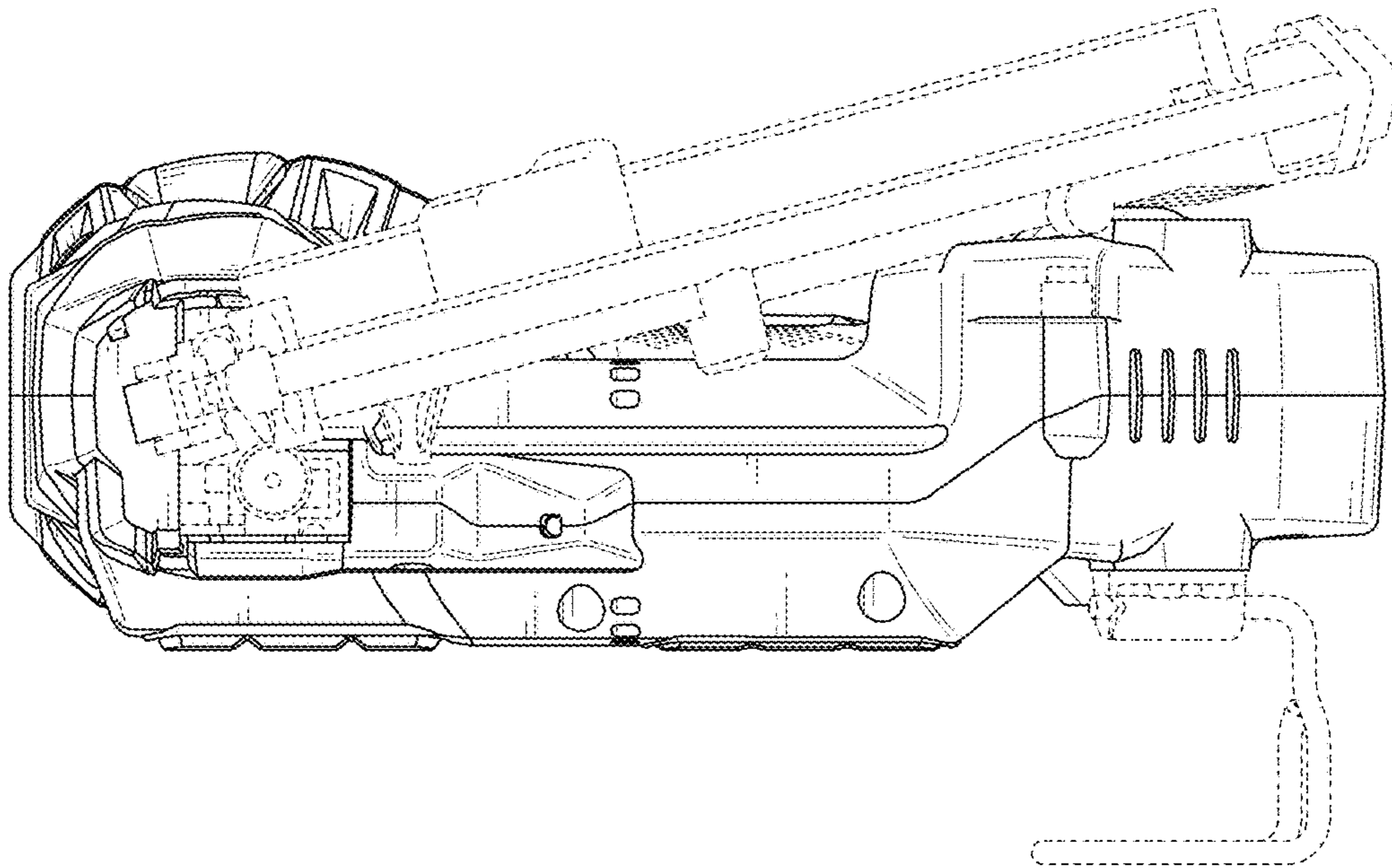


FIG. 16