

US00D823658S

(12) **United States Design Patent** (10) **Patent No.:** **US D823,658 S**
Key (45) **Date of Patent:** **** Jul. 24, 2018**

(54) **DRIVE END SOCKET** 7,000,505 B2 * 2/2006 Hsien B25B 13/065
81/121.1
(71) Applicant: **Michael Key**, Dayton, TX (US) D528,395 S * 9/2006 Schluter D8/86
7,406,895 B2 * 8/2008 Hu B25B 13/065
(72) Inventor: **Michael Key**, Dayton, TX (US) 81/121.1
D628,868 S * 12/2010 Laurie D8/29
(**) Term: **15 Years** 8,505,417 B2 8/2013 Hui et al.
8,544,367 B2 * 10/2013 Buchanan B25B 13/04
81/124.5
(21) Appl. No.: **29/641,161** D756,180 S * 5/2016 Chen D8/25
(22) Filed: **Mar. 20, 2018** * cited by examiner

Related U.S. Application Data

(63) Continuation-in-part of application No. 14/798,386,
filed on Jul. 13, 2015, now Pat. No. 9,957,979.
(51) **LOC (11) Cl.** **08-05**
(52) **U.S. Cl.**
USPC **D8/29**
(58) **Field of Classification Search**
USPC D8/29; 81/60, 177.1, 177.85, 121.1,
81/124.3, 165-170, 110.1, 176.2, 124.6,
81/176.1, 176.15; 16/110.1
CPC B25B 13/06; B25B 13/065
See application file for complete search history.

References Cited

U.S. PATENT DOCUMENTS

4,787,278 A * 11/1988 Bononi B25B 13/06
279/102
4,934,037 A 6/1990 Schuerg et al.
6,176,160 B1 * 1/2001 Ruhlander B25B 13/48
81/177.85
6,185,817 B1 2/2001 Sims et al.

Primary Examiner — Randall H Gholson
(74) *Attorney, Agent, or Firm* — The Compton Law Firm,
P.C.; Scott D. Compton

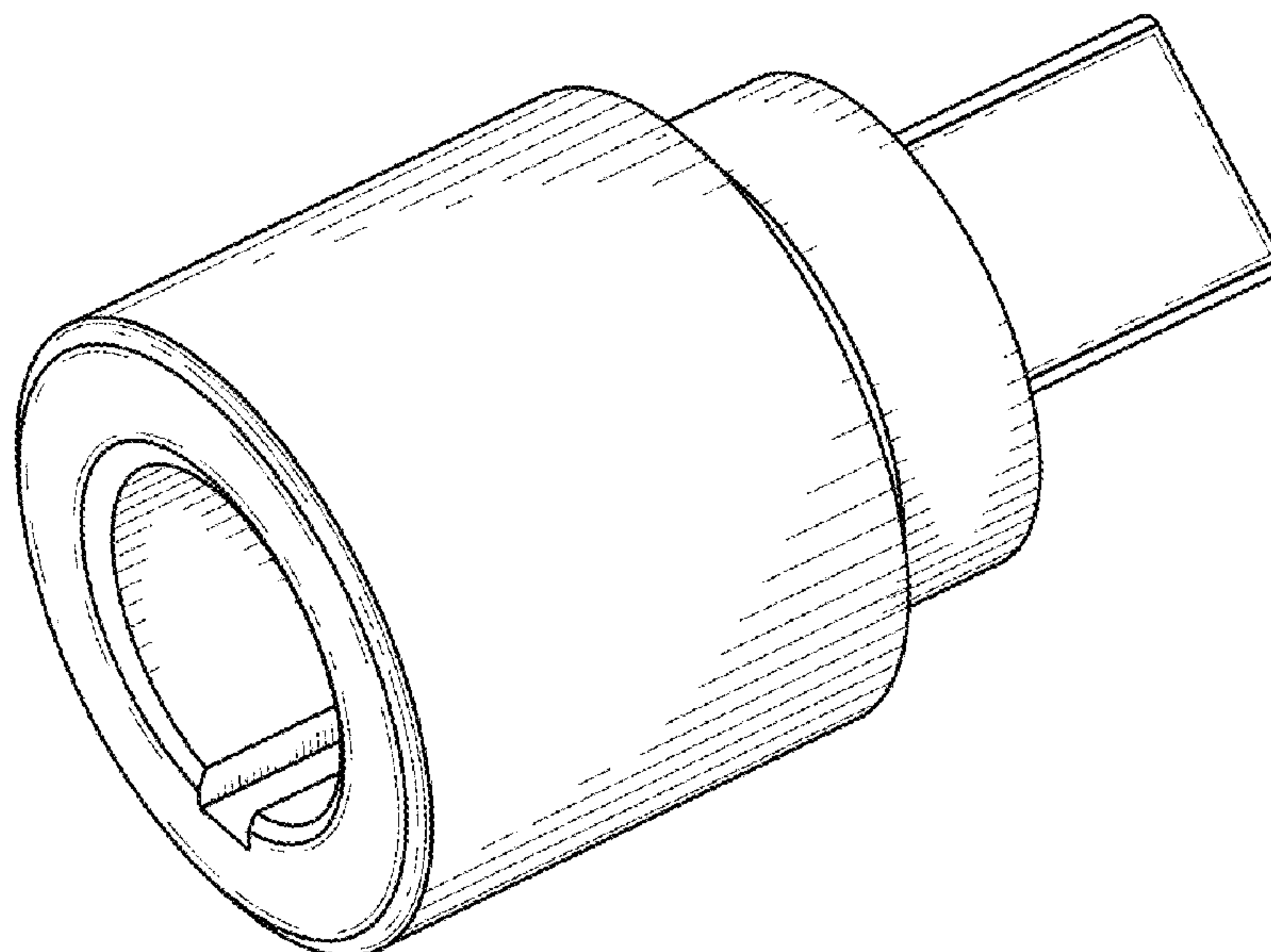
CLAIM

(57) The ornamental design for a drive end socket, as shown and described.

DESCRIPTION

FIG. 1 is a bottom perspective view of a drive end socket showing my new design;
FIG. 2 is a side elevational view of the drive end socket mirrored from all sides;
FIG. 3 is a bottom view of the drive end socket;
FIG. 4 is a top view of the drive end socket; and,
FIG. 5 is a perspective view of the drive end socket in a mated position with a drive end of a pump.
The broken lines in the drawings form no part of the claimed design and the broken lines of the pump and wrench of FIG. 5 are illustrative of environment and are not intended to form a part of the claimed design.

1 Claim, 2 Drawing Sheets



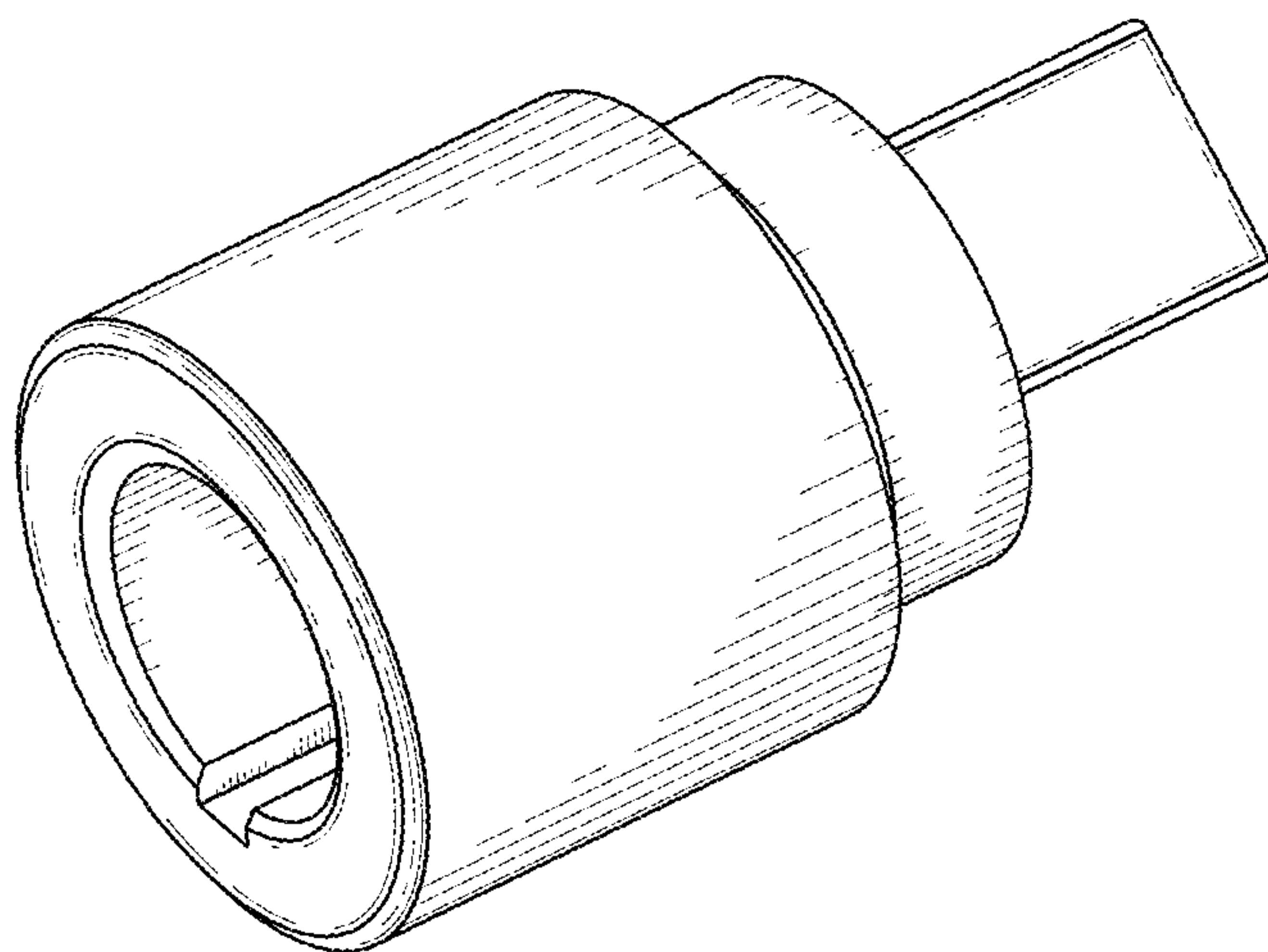


FIG. 1

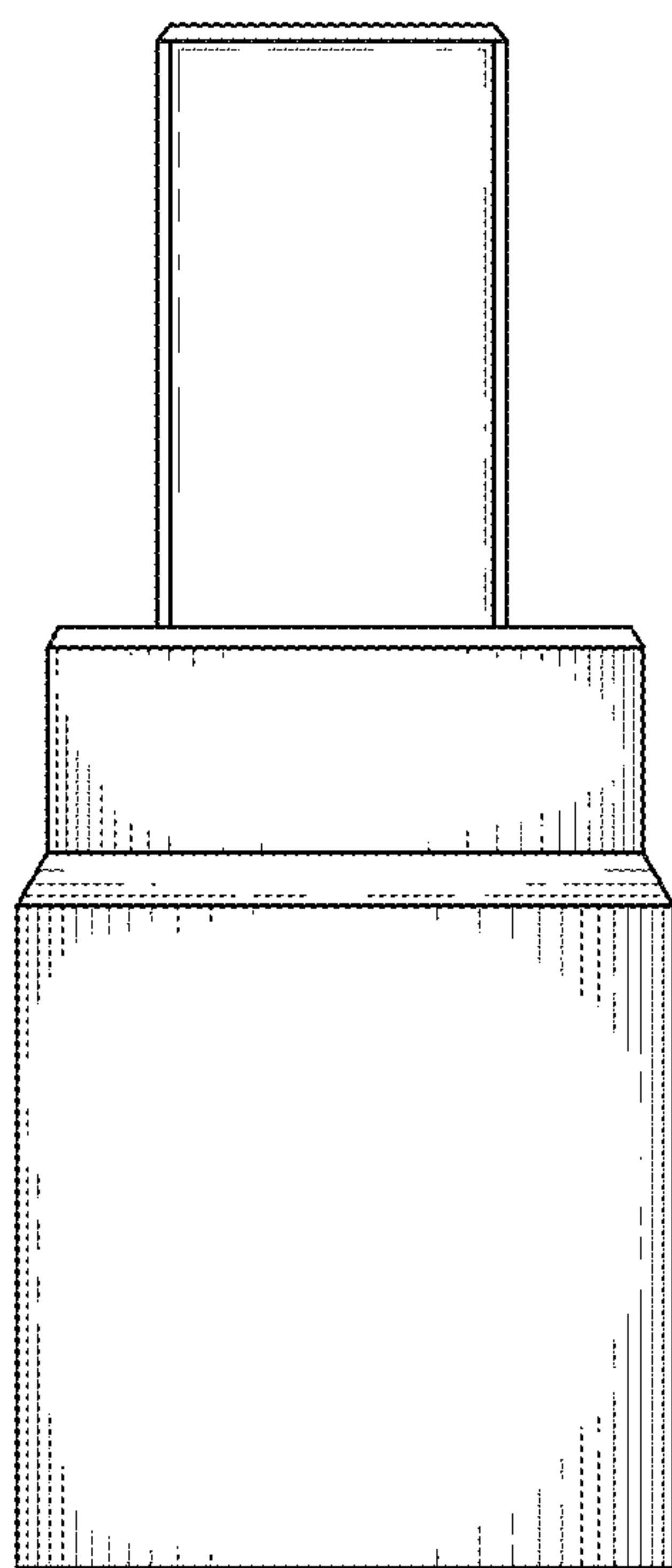


FIG. 2

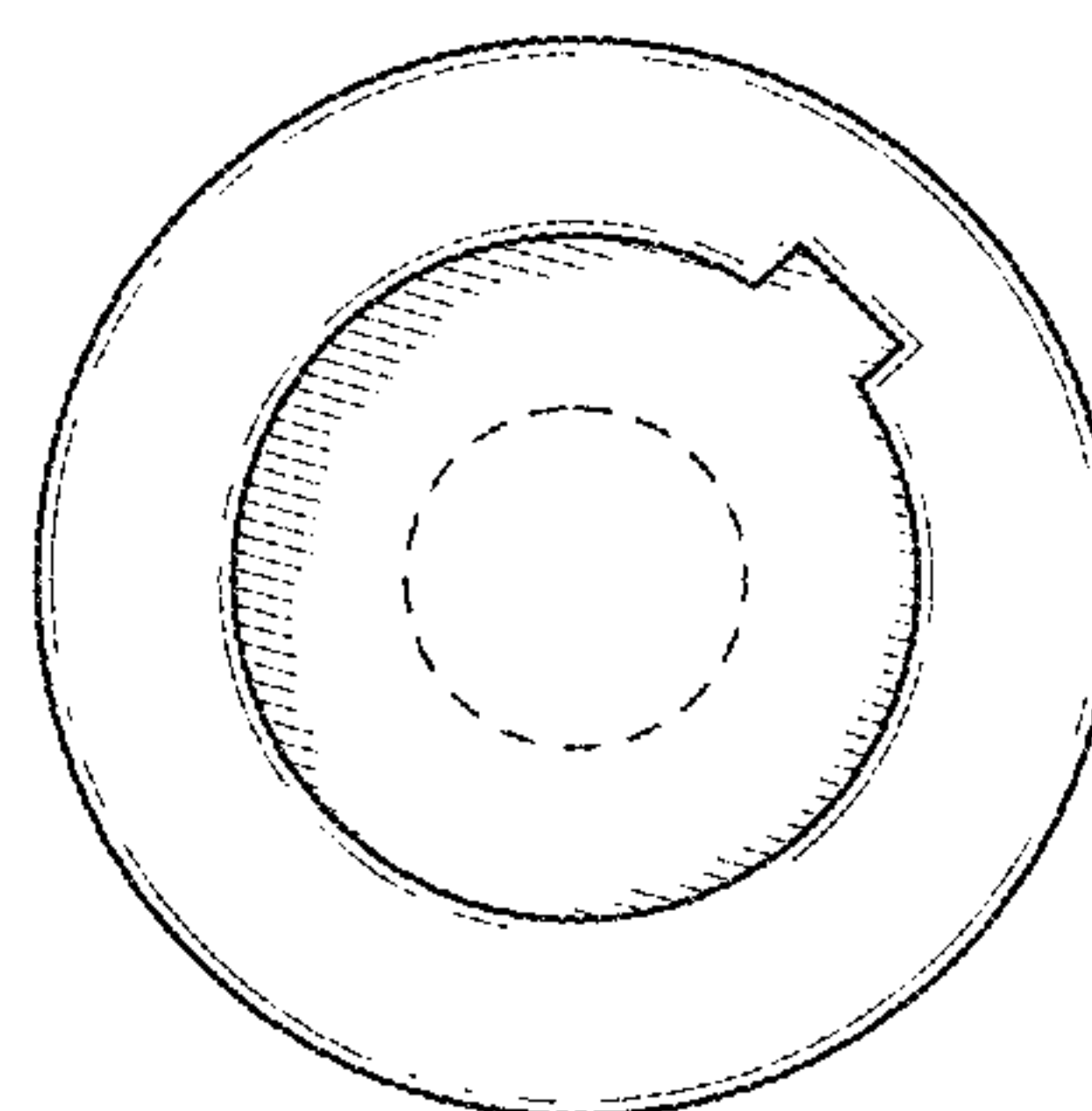


FIG. 3

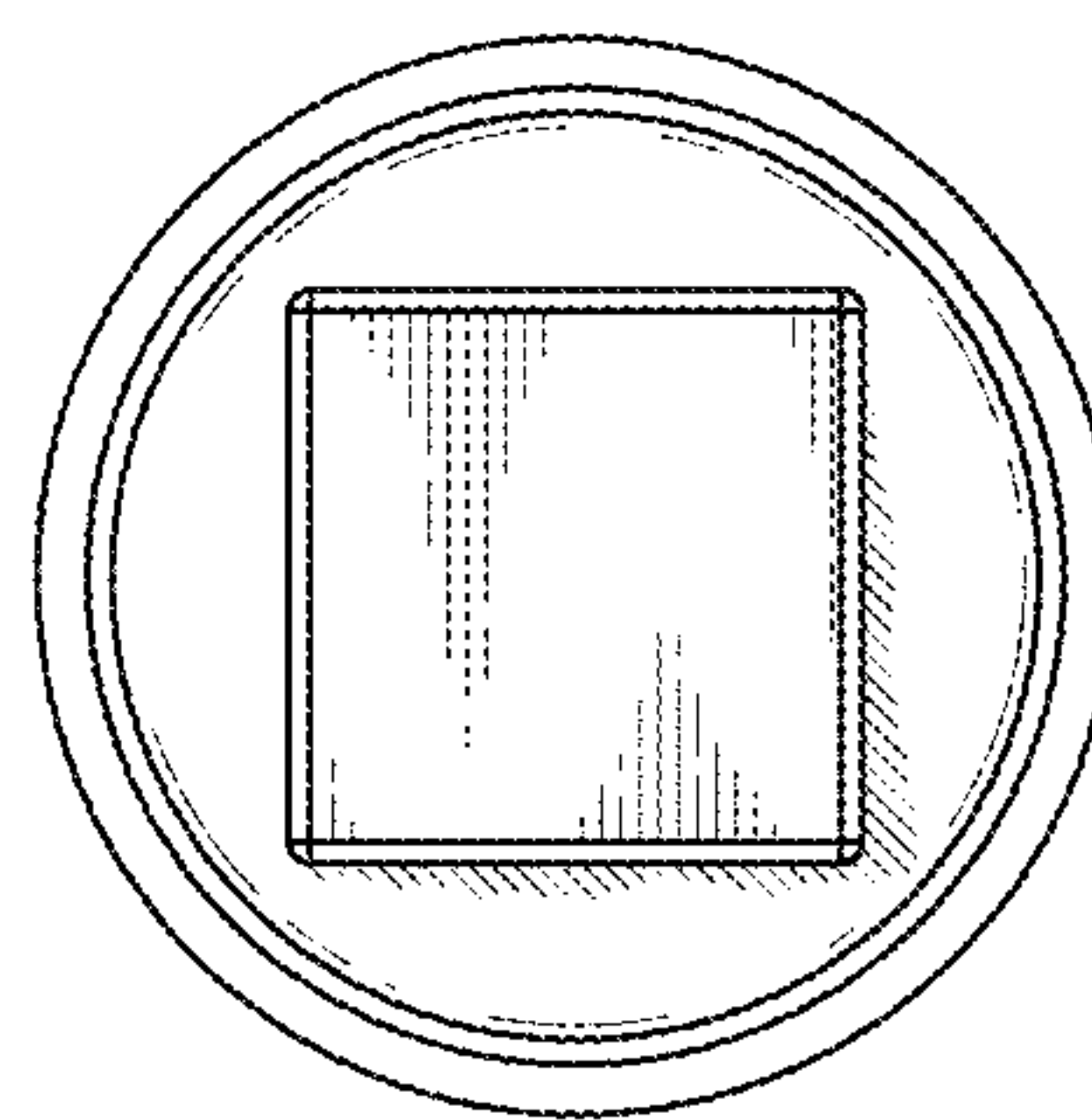


FIG. 4

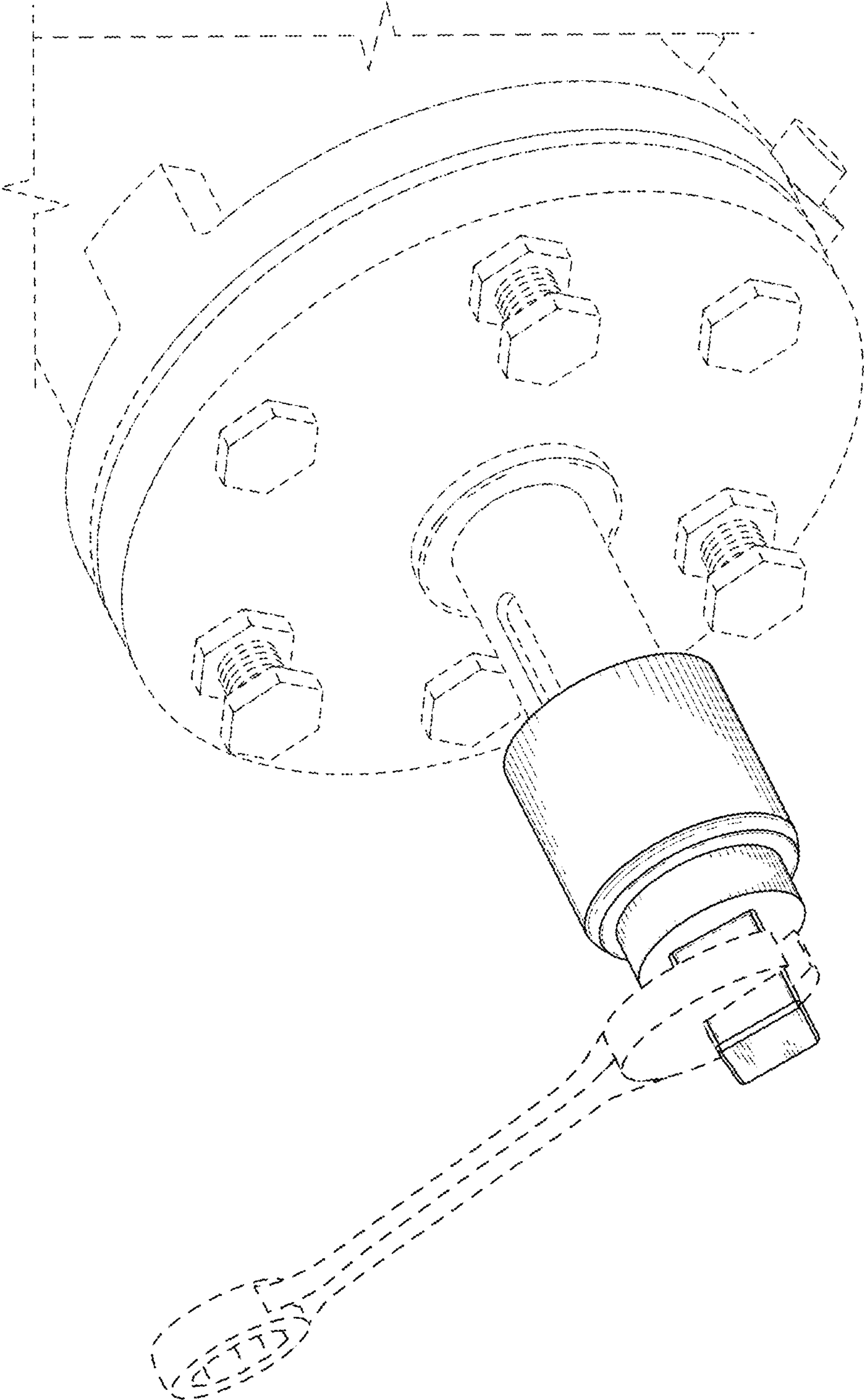


FIG. 5