



US00D823656S

(12) **United States Design Patent**
Ziamandanis

(10) **Patent No.:** **US D823,656 S**
(45) **Date of Patent:** **** Jul. 24, 2018**

(54) **SNOW SHOVEL**
(71) Applicant: **Peter Ziamandanis**, Loudonville, NY (US)
(72) Inventor: **Peter Ziamandanis**, Loudonville, NY (US)
(**) Term: **15 Years**
(21) Appl. No.: **29/599,811**
(22) Filed: **Apr. 6, 2017**
(51) **LOC (11) Cl.** **08-01**
(52) **U.S. Cl.**
USPC **D8/10**
(58) **Field of Classification Search**
USPC D8/1, 7, 10, 499; D21/483, 532
CPC E01H 5/00; E01H 5/02; A01B 1/02; A01B 1/022; A01B 1/026; A01B 1/22; A01B 15/02; B25G 1/00; B25G 1/04; B25G 1/102; Y10T 16/4713; Y10T 16/476; Y10T 16/473
See application file for complete search history.

2012/0048074 A1* 3/2012 Mosher B25G 1/06 81/489
2012/0192540 A1* 8/2012 Macyszyn A01B 1/026 56/400.01
2014/0132015 A1* 5/2014 Stachowski A01B 1/026 294/51

* cited by examiner

Primary Examiner — Sandra S Snapp
Assistant Examiner — Ieisha N Price

(57) **CLAIM**

The ornamental design for a snow shovel, as shown and described.

DESCRIPTION

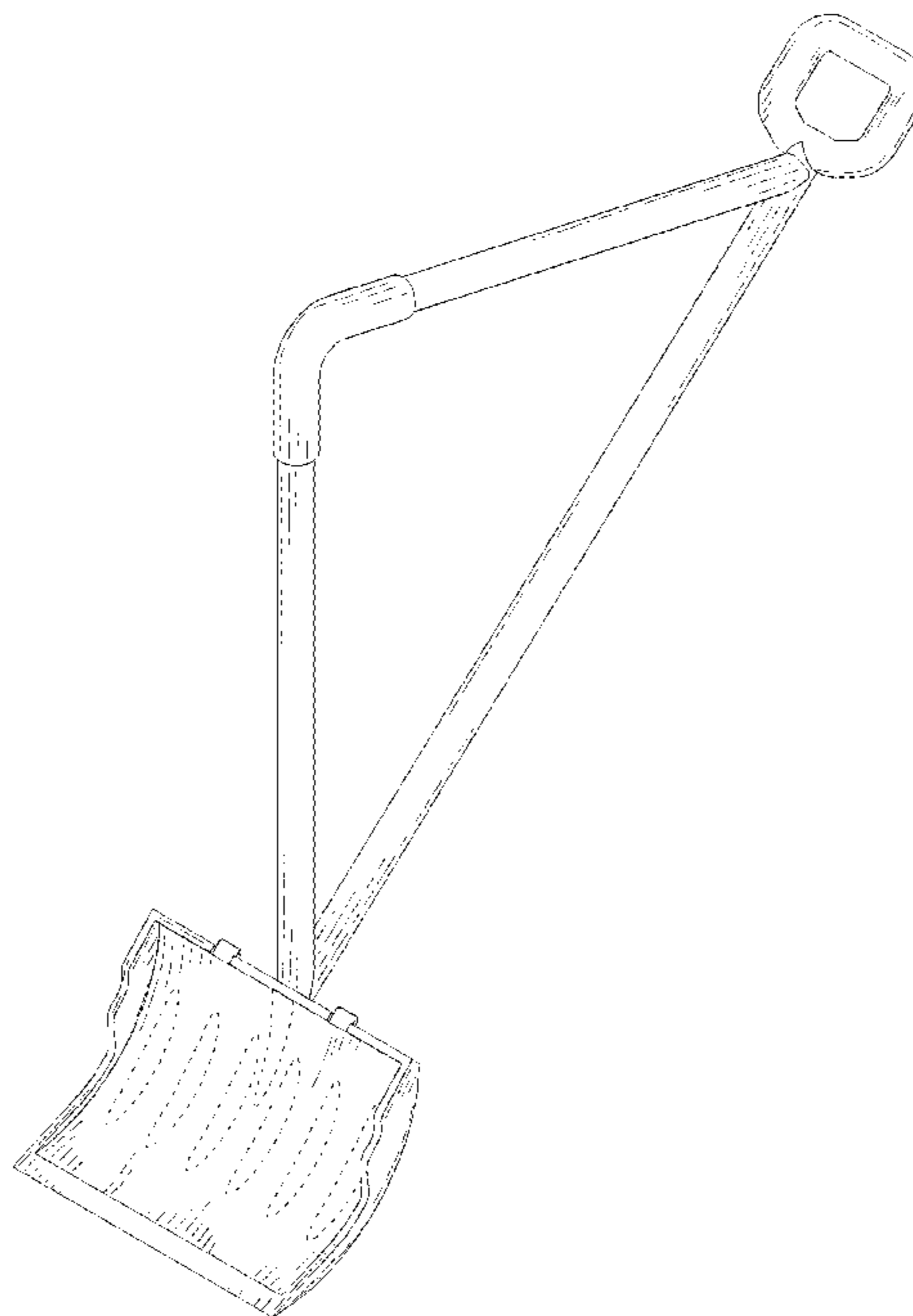
FIG. 1 is a top right front perspective view of a snow shovel showing my new design;
FIG. 2 is a bottom right front perspective view thereof;
FIG. 3 is a bottom left back perspective view thereof;
FIG. 4 is a front view thereof;
FIG. 5 is a back view thereof;
FIG. 6 is a top view thereof;
FIG. 7 is a bottom view thereof;
FIG. 8 is a right view thereof; and,
FIG. 9 is a left view thereof.
The broken line showing of the grooves in FIGS. 1, 2, 4, and 6, and the broken line showing of the support connector in FIGS. 1, 2, 4, and 6, are included for the purpose of showing environmental structure and form no part of the claimed design.

(56) **References Cited**

U.S. PATENT DOCUMENTS

3,751,094 A * 8/1973 Bohler A01B 1/026 16/426
5,137,317 A * 8/1992 Bieniek A01B 1/026 294/54.5
D568,121 S * 5/2008 Meyer D8/10
D677,134 S * 3/2013 Stark D8/10
2010/0320785 A1* 12/2010 Trott A01B 1/026 294/58

1 Claim, 9 Drawing Sheets



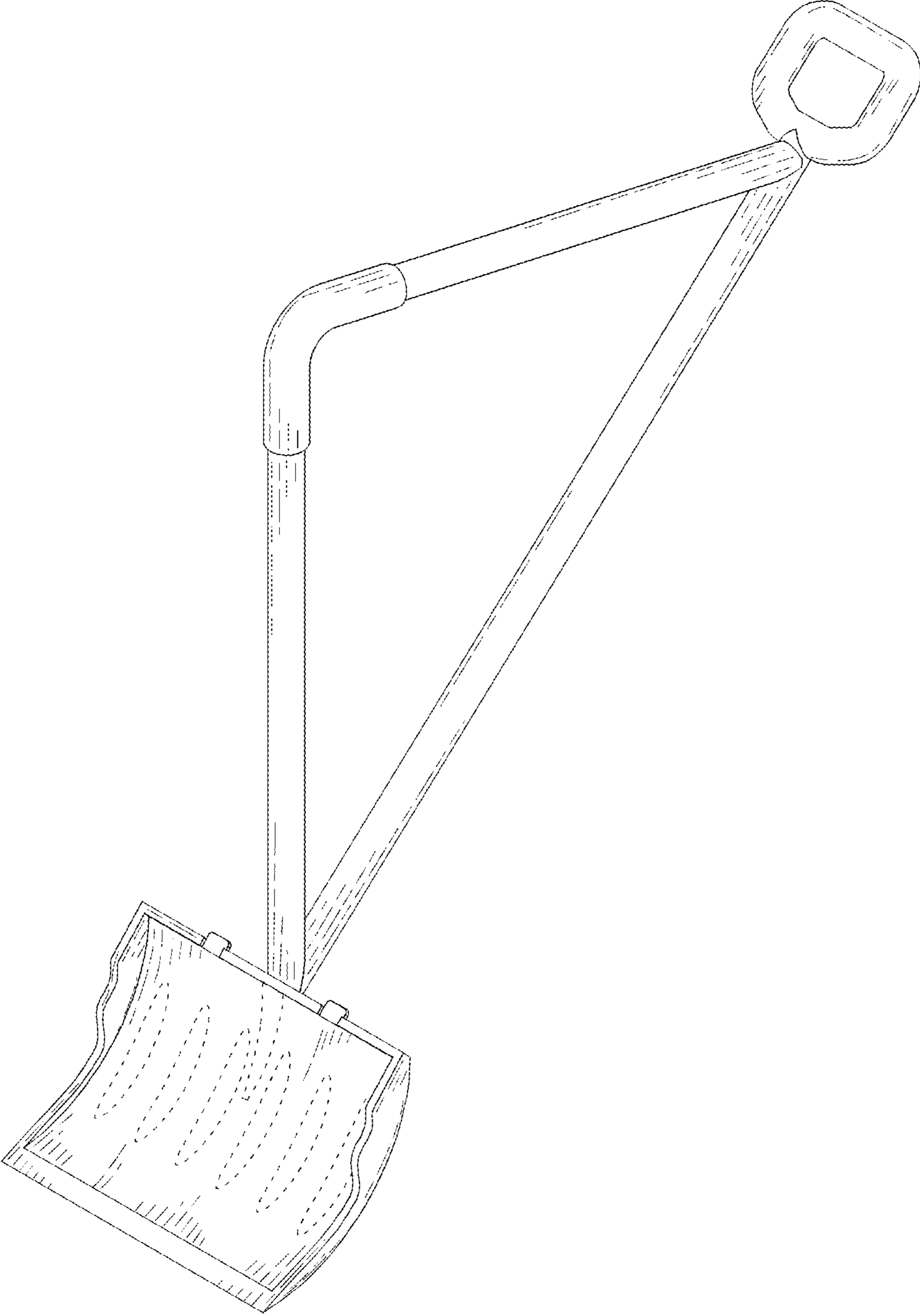


FIG. 1

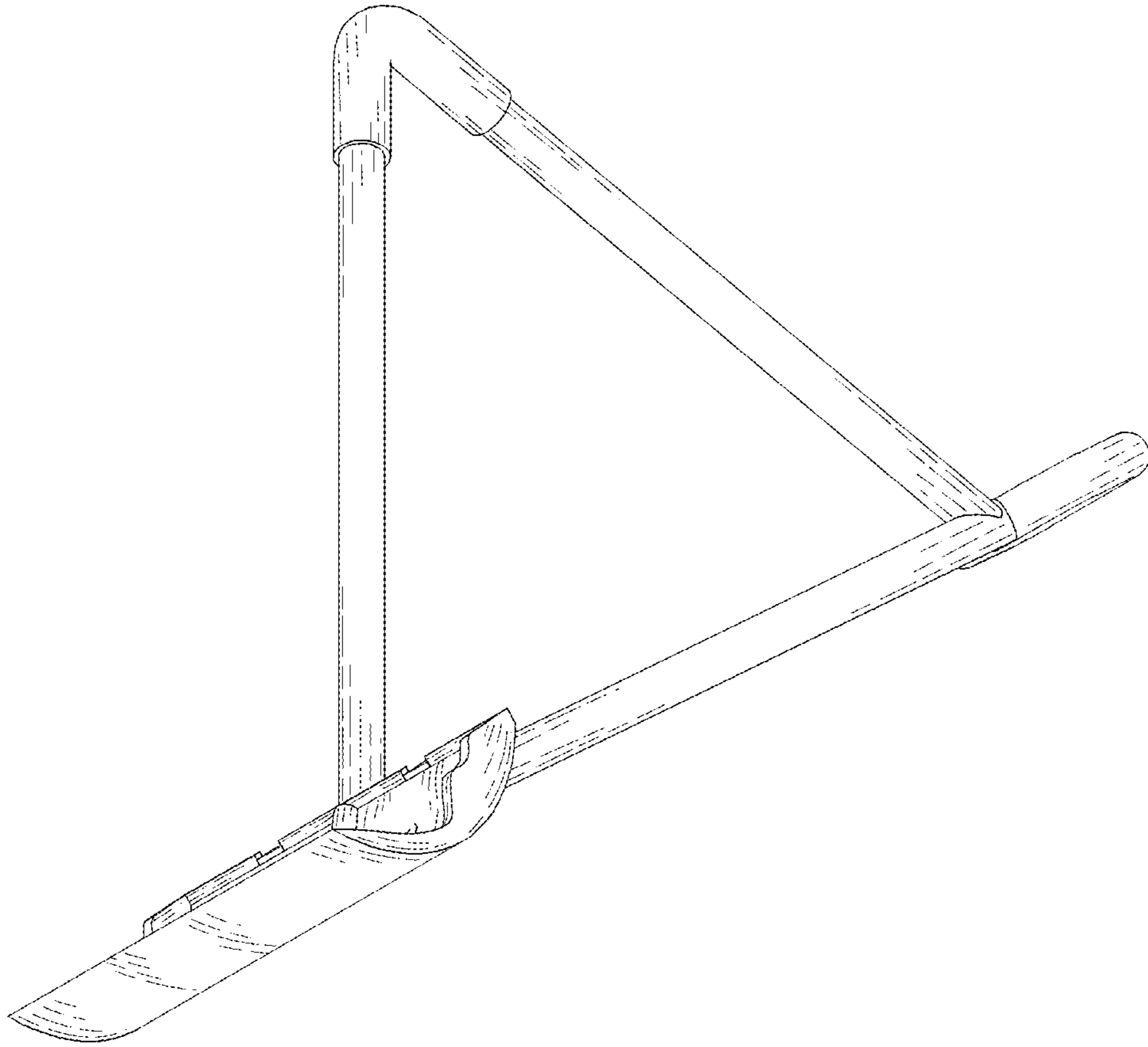


FIG. 2

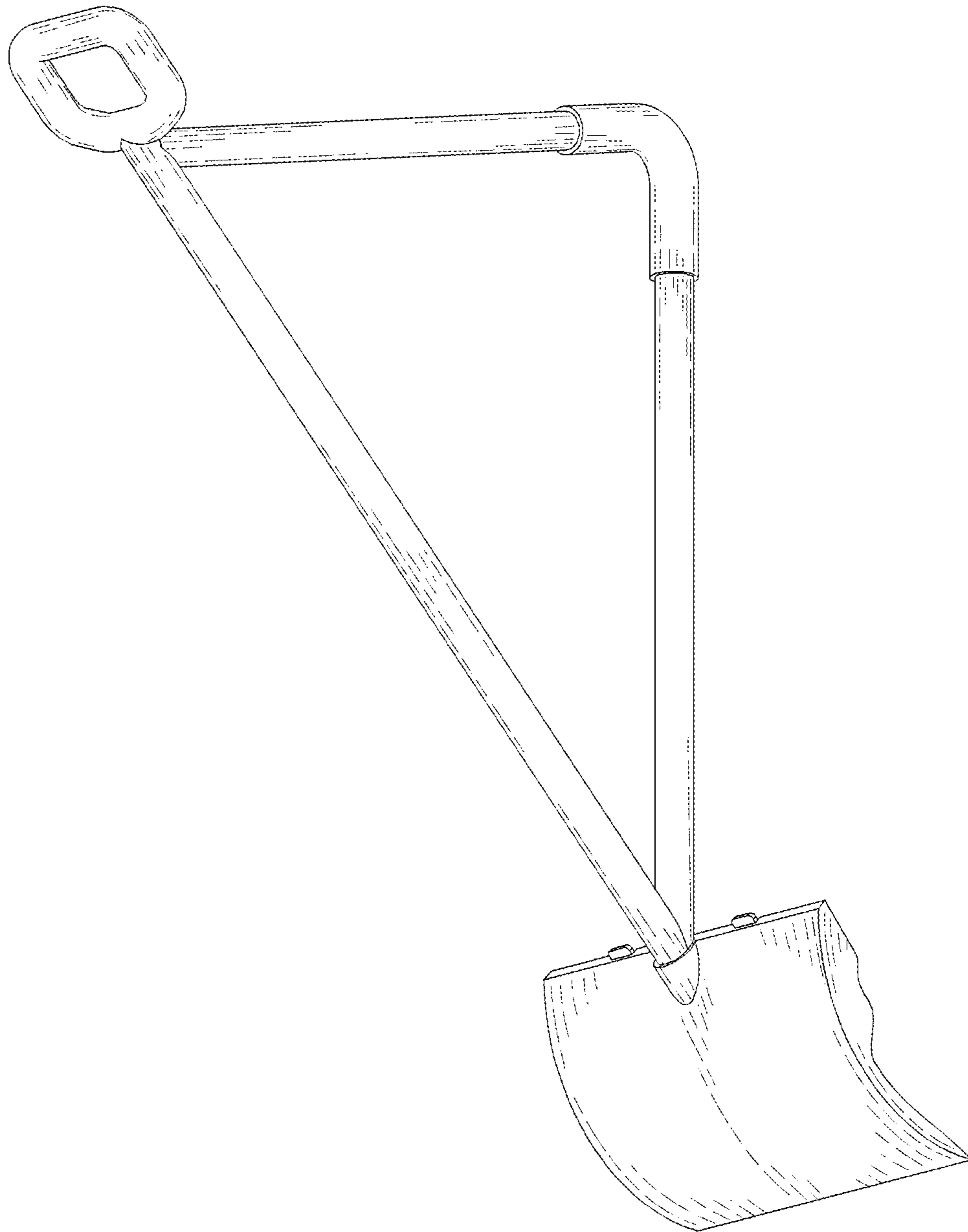


FIG. 3

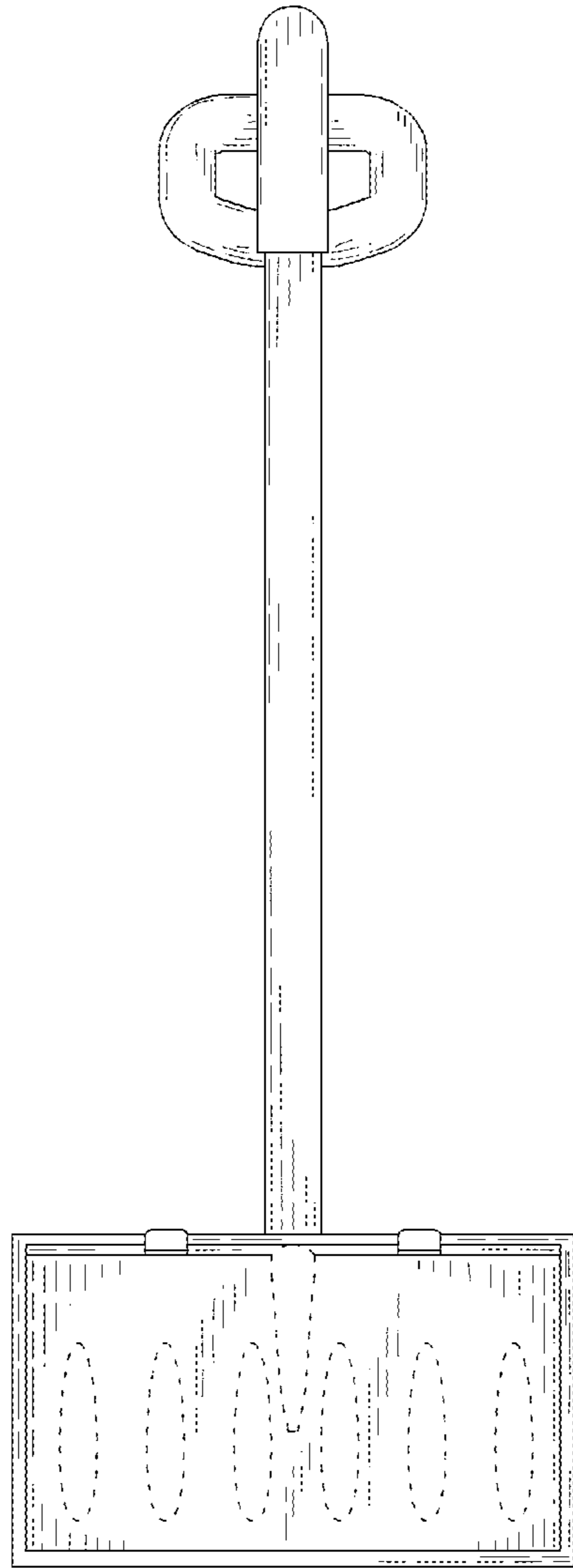


FIG. 4

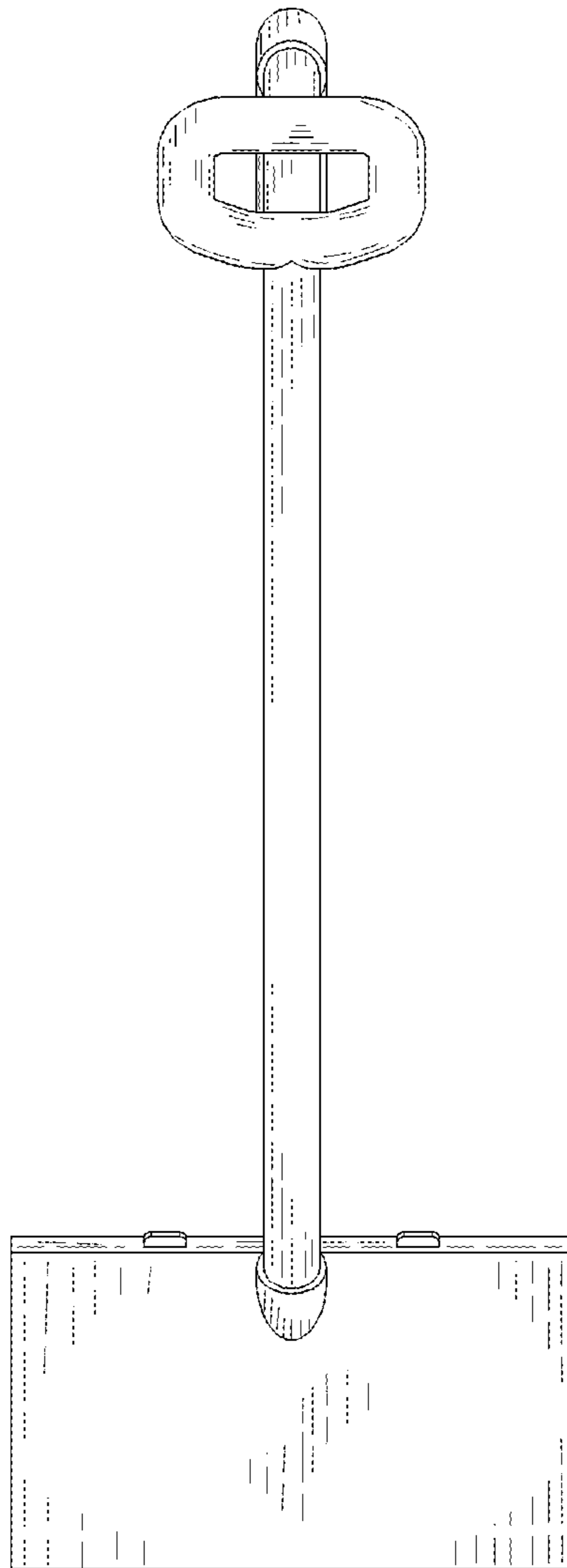


FIG. 5

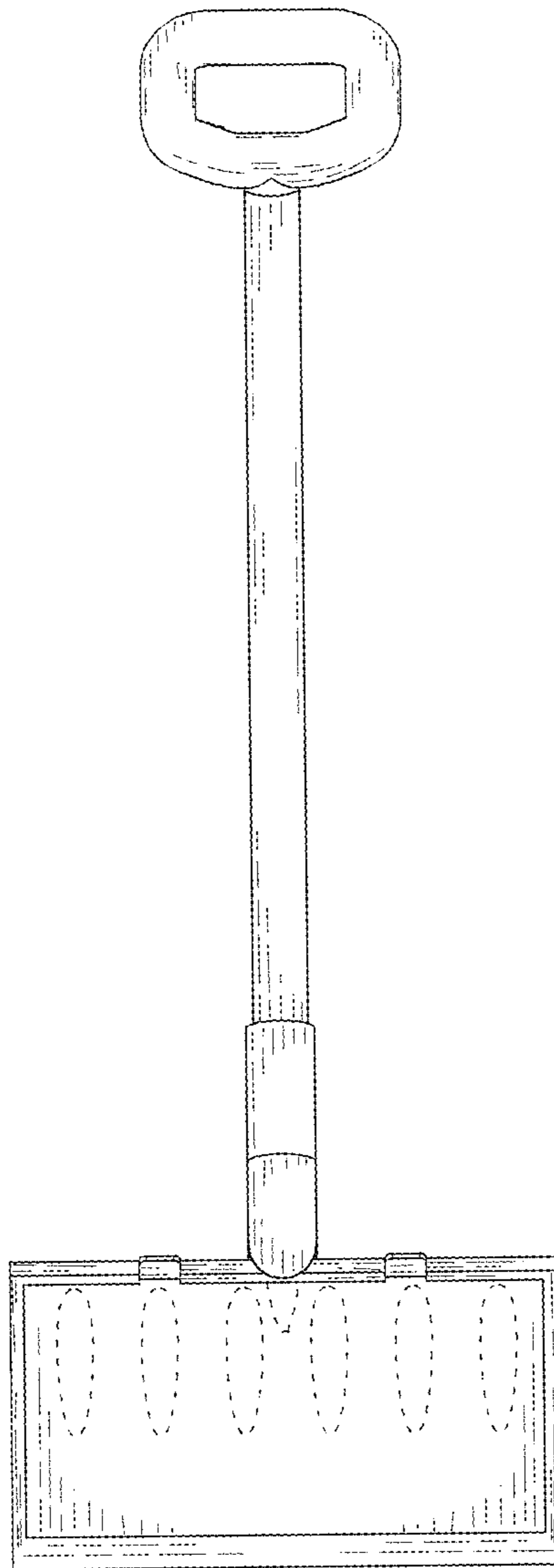


FIG. 6

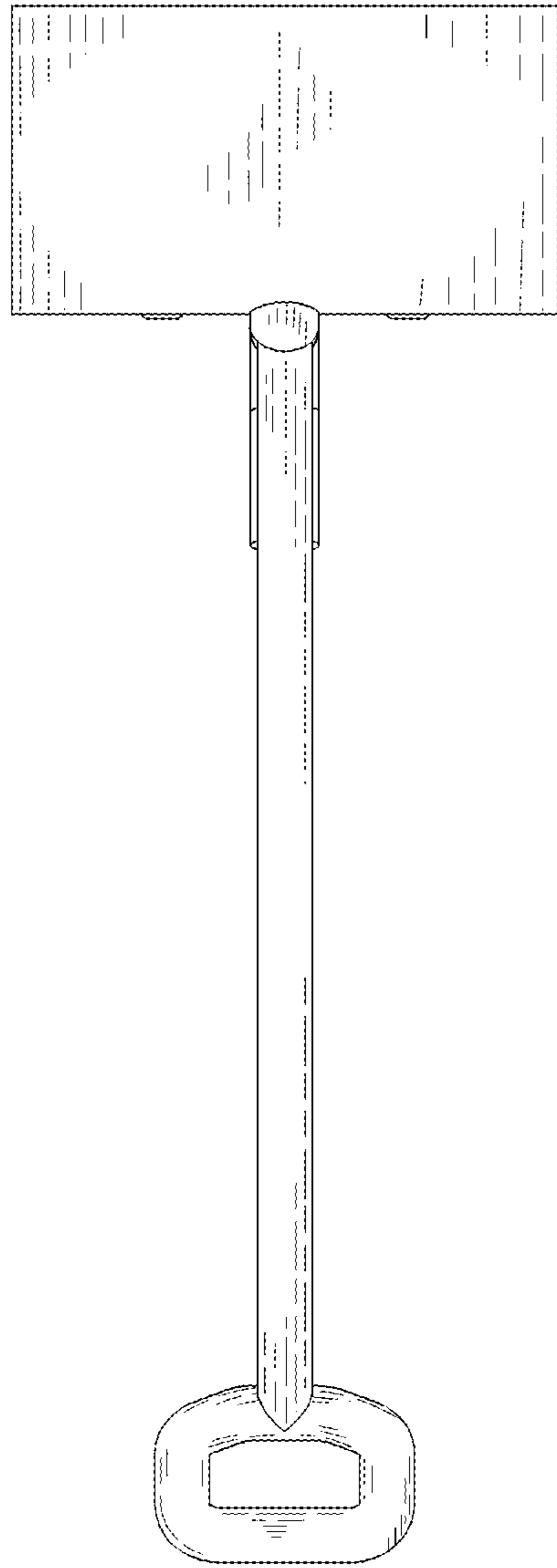


FIG. 7

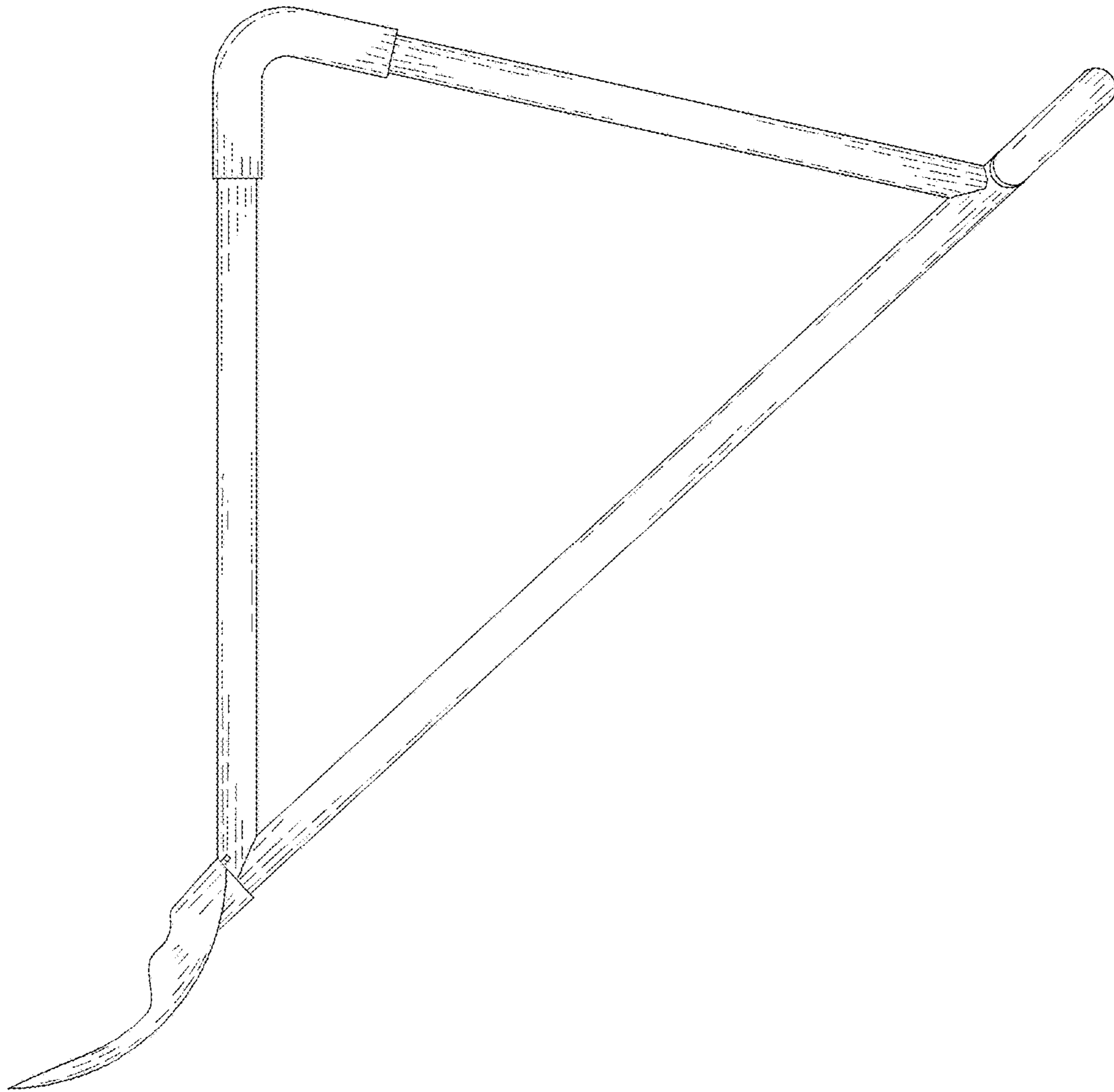


FIG. 8

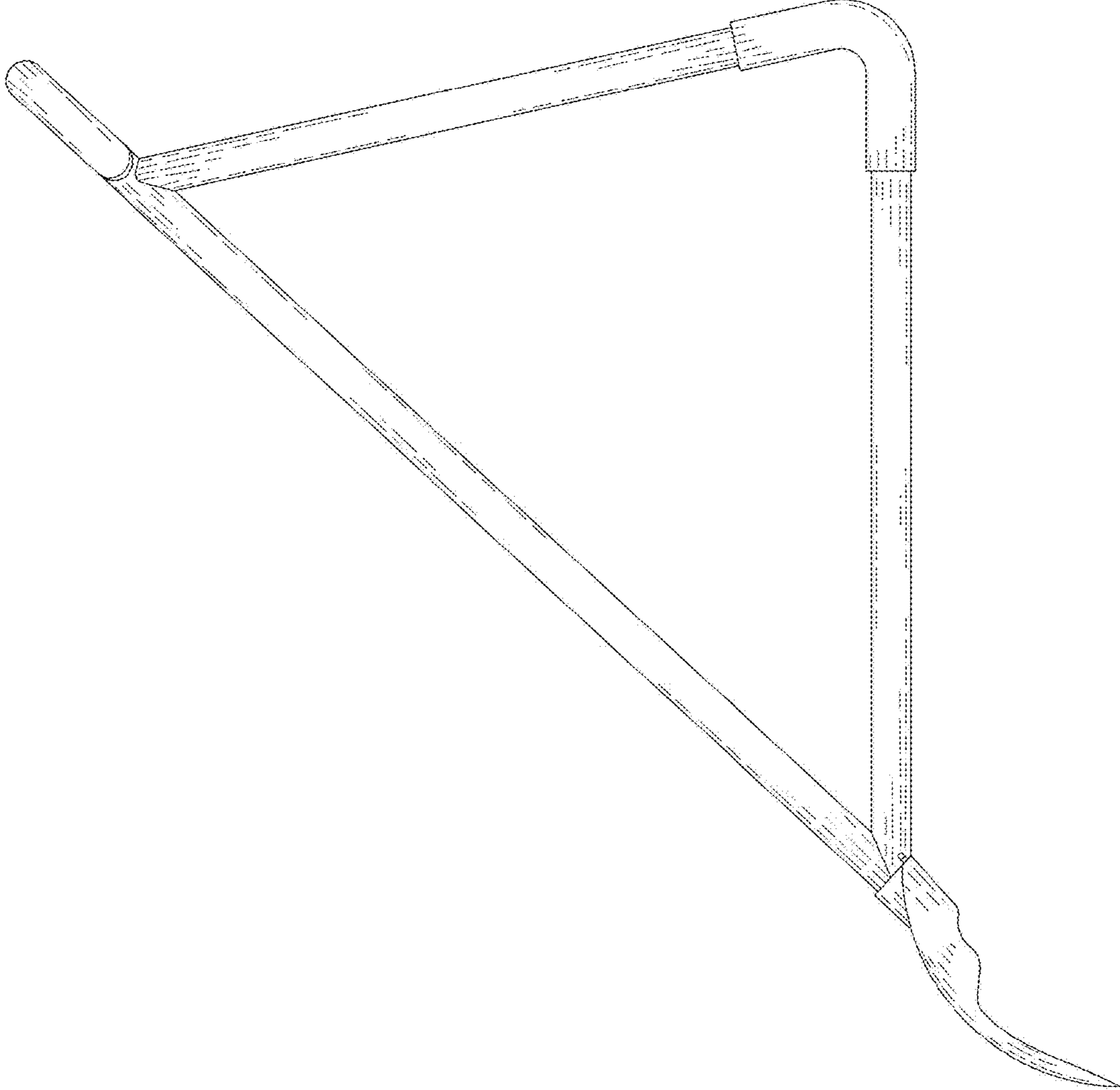


FIG. 9