

US00D823655S

(12) **United States Design Patent** (10) **Patent No.:** **US D823,655 S**
Dubiel et al. (45) **Date of Patent:** **** Jul. 24, 2018**

(54) **HAND-HELD SPREADER**
(71) Applicant: **CHAPIN MANUFACTURING, INC.**,
Batavia, NY (US)
(72) Inventors: **David J. Dubiel**, North Chili, NY (US);
William James Campbell, Akron, NY
(US)

5,123,598 A 6/1992 Courtney et al.
D327,823 S 7/1992 Demarest
D333,951 S 3/1993 Courtney et al.
5,271,568 A 12/1993 Stevie
5,285,971 A 2/1994 Havlovitz
5,409,166 A * 4/1995 Gunzel, Jr. A01C 15/02
239/142
D387,638 S 12/1997 Delaby et al.
6,092,746 A 7/2000 Dillon
(Continued)

(73) Assignee: **Chapin Manufacturing, Inc.**, Batavia,
NY (US)

(**) Term: **15 Years**

(21) Appl. No.: **29/603,038**

(22) Filed: **May 5, 2017**

(51) **LOC (11) Cl.** **08-01**

(52) **U.S. Cl.**
USPC **D8/2; D15/13**

(58) **Field of Classification Search**
USPC D15/11, 12, 13, 14, 16, 18, 21, 25, 28,
D15/29; D8/2
CPC A01C 17/008; A01C 15/02; A01G 29/00
See application file for complete search history.

(56) **References Cited**

U.S. PATENT DOCUMENTS

502,604 A 8/1893 Bollinger
579,049 A 3/1897 Eltzroth
649,953 A 5/1900 Rinderknecht
1,948,668 A 2/1934 Kuchler
2,514,962 A 7/1950 McElhatton
2,691,530 A 10/1954 Krueger
3,096,984 A 7/1963 Garrison
3,157,402 A 11/1964 Love, Jr.
3,227,461 A 1/1966 Love, Jr.
3,993,225 A 11/1976 Manni
4,071,170 A * 1/1978 Gunzel, Jr. A01M 9/0046
222/199
4,140,280 A 2/1979 Allen et al.
5,119,993 A 6/1992 Gunzel, Jr. et al.

OTHER PUBLICATIONS

Chapin Hand Crank Spreader—1.5L, Model #84150, www.
chapinmfg.com, printed Dec. 4, 2015.

(Continued)

Primary Examiner — John Windmuller

Assistant Examiner — Benjamin M Weeks

(74) *Attorney, Agent, or Firm* — Woods Oviatt Gilman
LLP; Katherine H. McGuire, Esq.

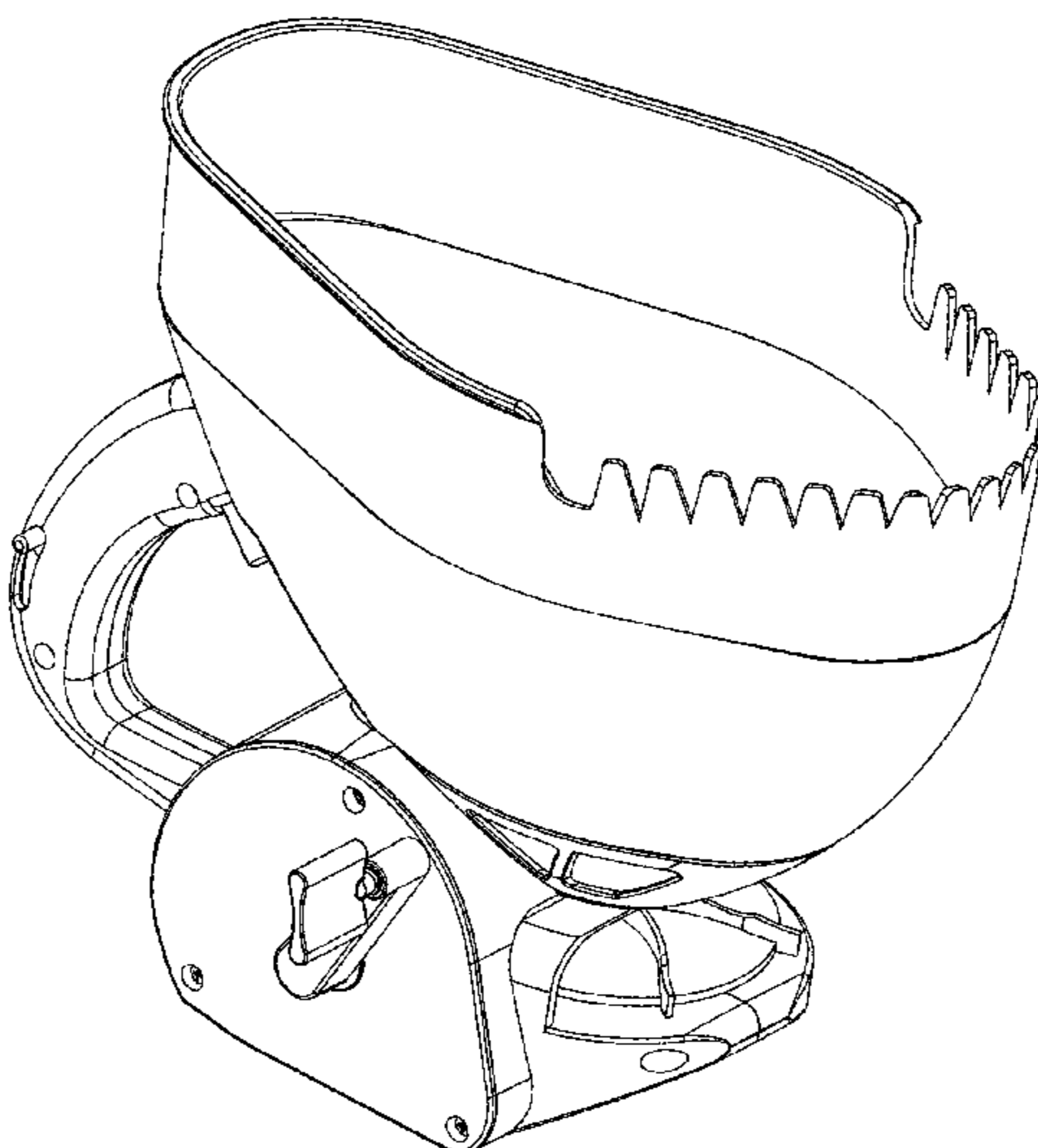
(57) **CLAIM**

The ornamental design for a hand-held spreader, as shown
and described.

DESCRIPTION

FIG. 1 is a perspective view looking downwardly from the
right side of the front of a hand-held spreader in accordance
with our design;
FIG. 2 is a right elevational view thereof;
FIG. 3 is a left elevational view thereof;
FIG. 4 is a front view thereof;
FIG. 5 is a rear view thereof;
FIG. 6 is a top view thereof;
FIG. 7 is a bottom view thereof;
FIG. 8 is a perspective view looking downwardly from the
right side of the rear thereof; and,
FIG. 9 is a perspective view looking upwardly from the right
side of the rear thereof.

1 Claim, 9 Drawing Sheets



(56)

References Cited

U.S. PATENT DOCUMENTS

6,425,500 B2 * 7/2002 McNally E01C 19/2025
222/175
D534,044 S 12/2006 Zak
D552,946 S 10/2007 Shanklin et al.
7,281,675 B2 * 10/2007 Elrod A01G 1/125
239/650
7,328,861 B2 2/2008 Sagol et al.
8,191,804 B1 6/2012 Pullara, Jr.
8,272,584 B2 * 9/2012 Barnett A01C 7/02
222/317
D701,737 S * 4/2014 Poitras D8/2
D712,211 S * 9/2014 Rollenhagen D8/2
D744,303 S 12/2015 Marconi
D796,922 S 9/2017 Hsu et al.
2007/0034710 A1 2/2007 Elrod et al.
2014/0263484 A1 9/2014 Marconi
2017/0049042 A1 * 2/2017 Hsu E01H 10/007

OTHER PUBLICATIONS

Scotts Handy Green II Hand-Held Broadcast Spreader, The Scotts Company LLC, www.scotts.com, printed Apr. 6, 2017.
Quick Start Guide, Scotts Handy Green II Hand-Held Broadcast Spreader, The Scotts Company LLC, 2011.
Precision HHBS-125 6 Lb Capacity Handheld Broadcast Spreader, walmart.com, printed Dec. 4, 2015.
Plantmates 76500 All-Purpose Spreader, amazon.com, printed Dec. 4, 2015.
Solo 421S 20-Pound Capacity Portable Spreader, amazon.com, printed Dec. 4, 2015.
Scotts Wizz Spreader, The Scotts Company LLC, www.scotts.com, printed Apr. 6, 2017.
Scotts Easy Hand-Held Broadcast Spreader, The Scotts Company LLC, www.scotts.com, printed Apr. 6, 2017.

* cited by examiner

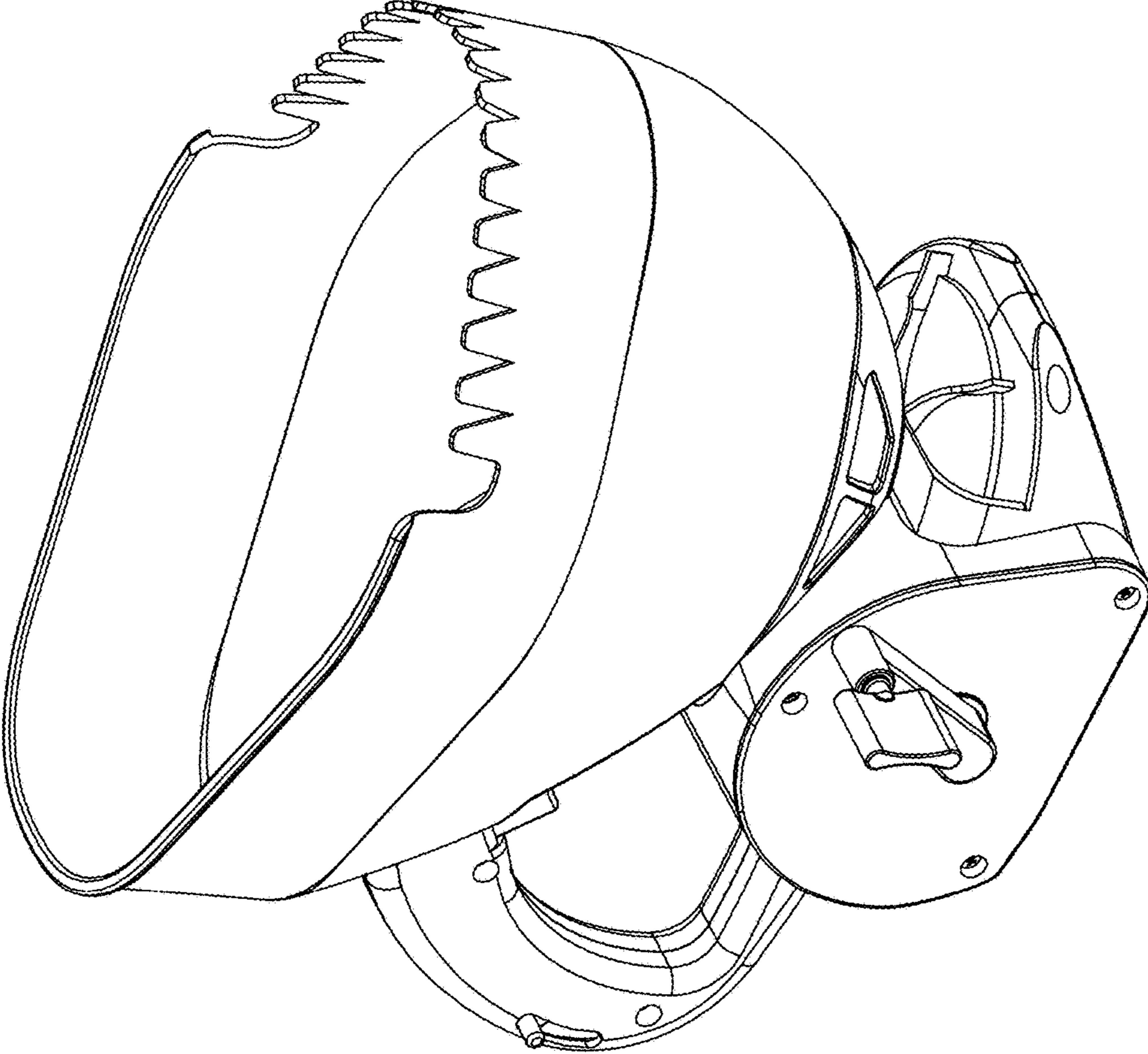


FIG. 1

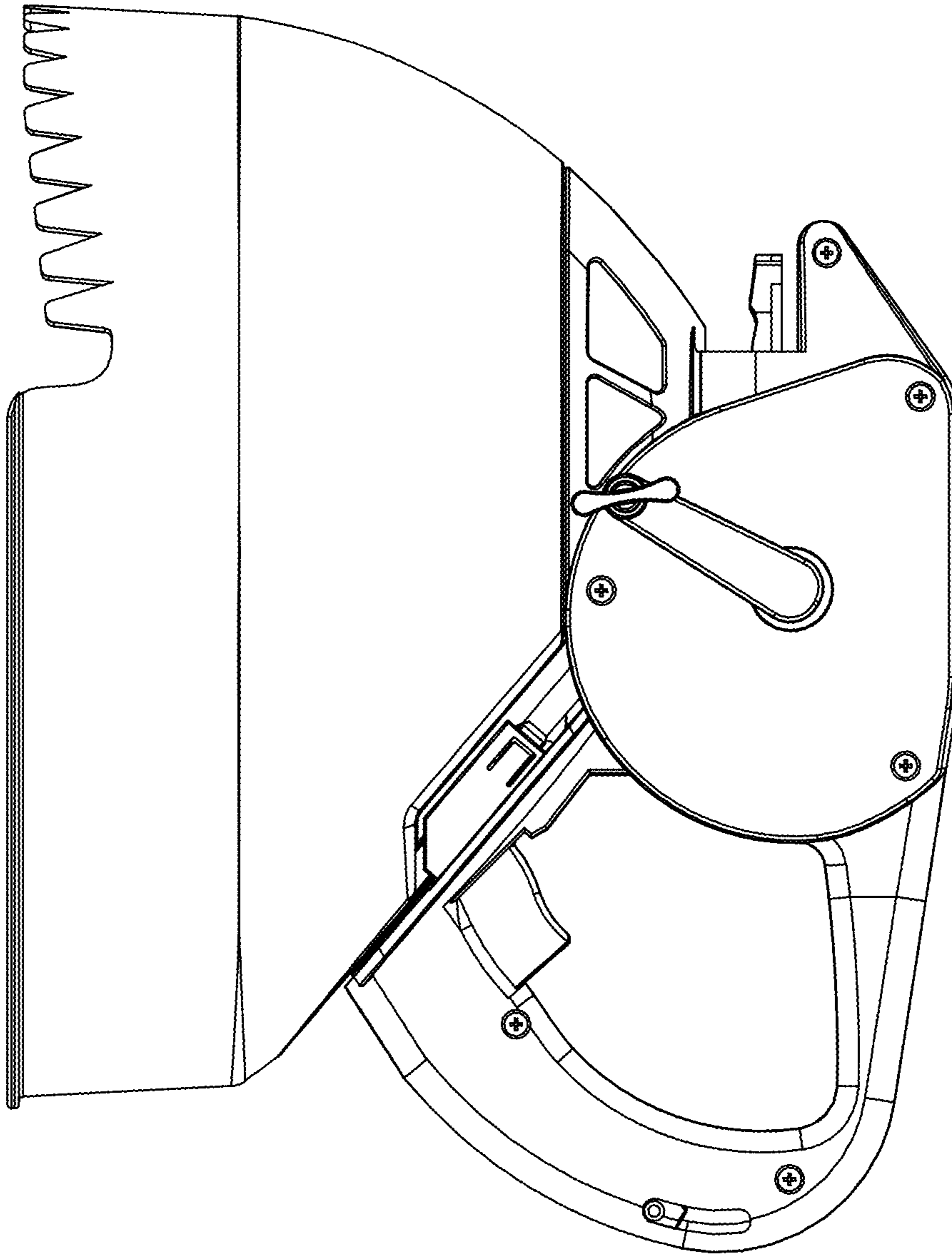


FIG. 2

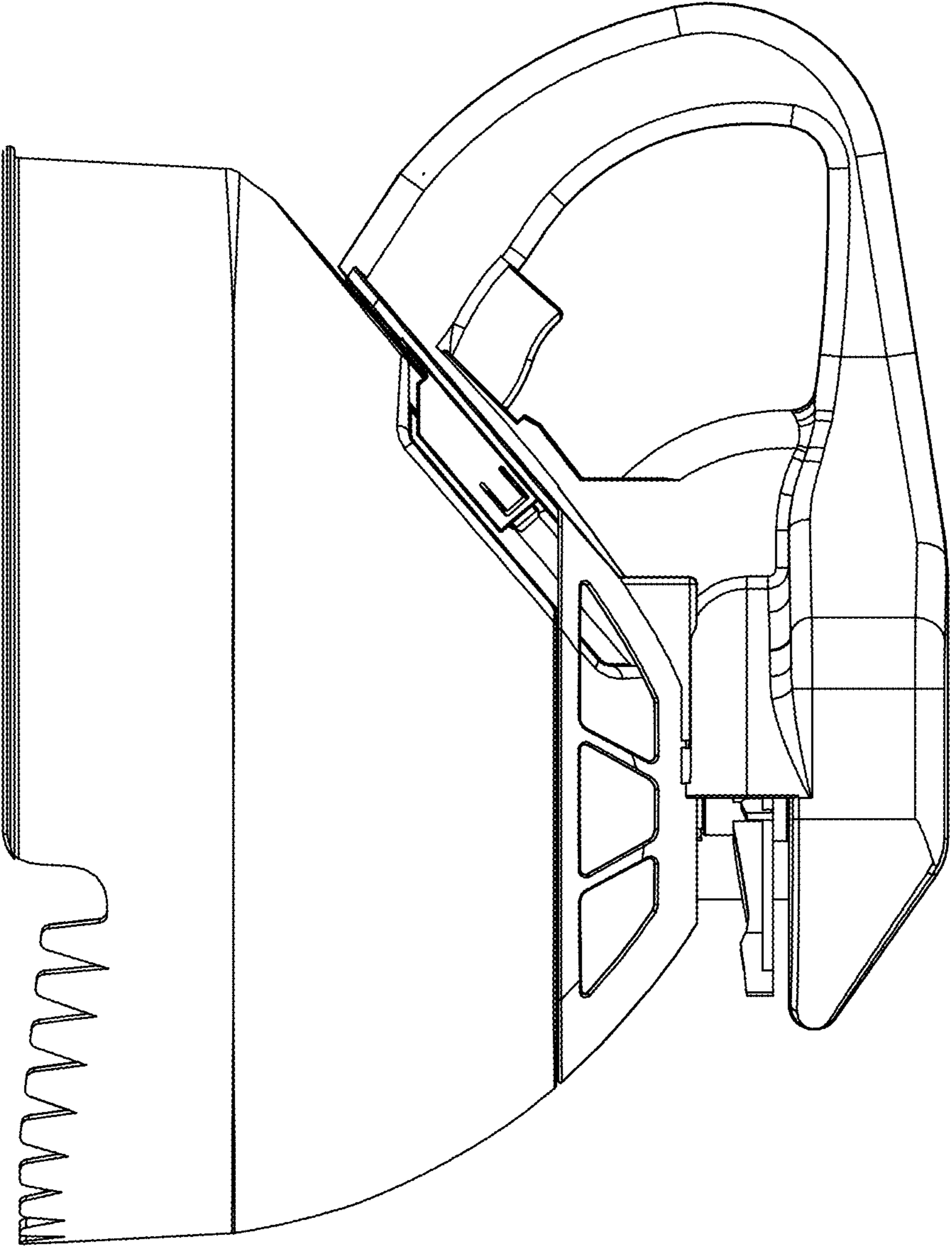


FIG. 3

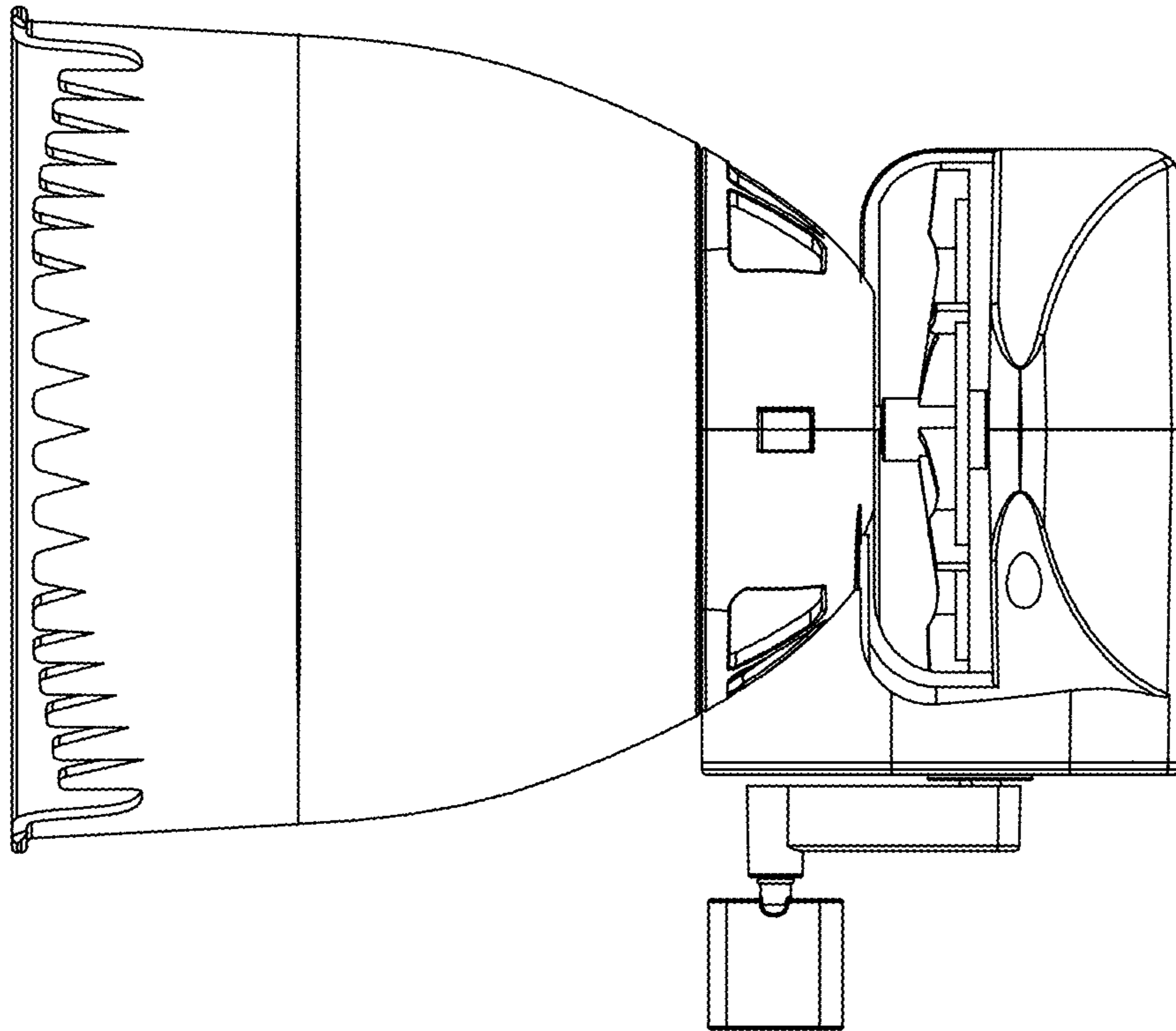


FIG. 4

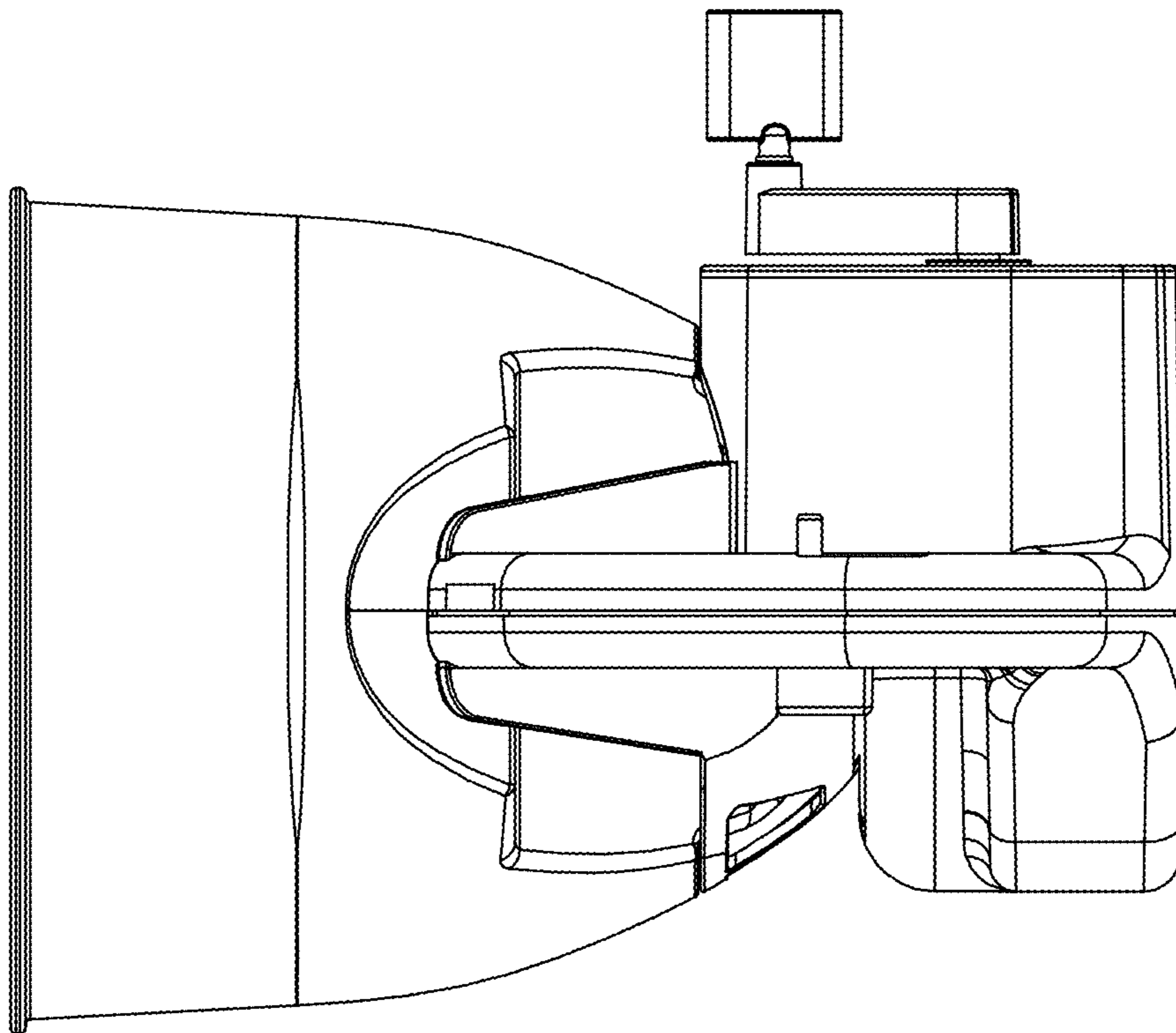


FIG. 5

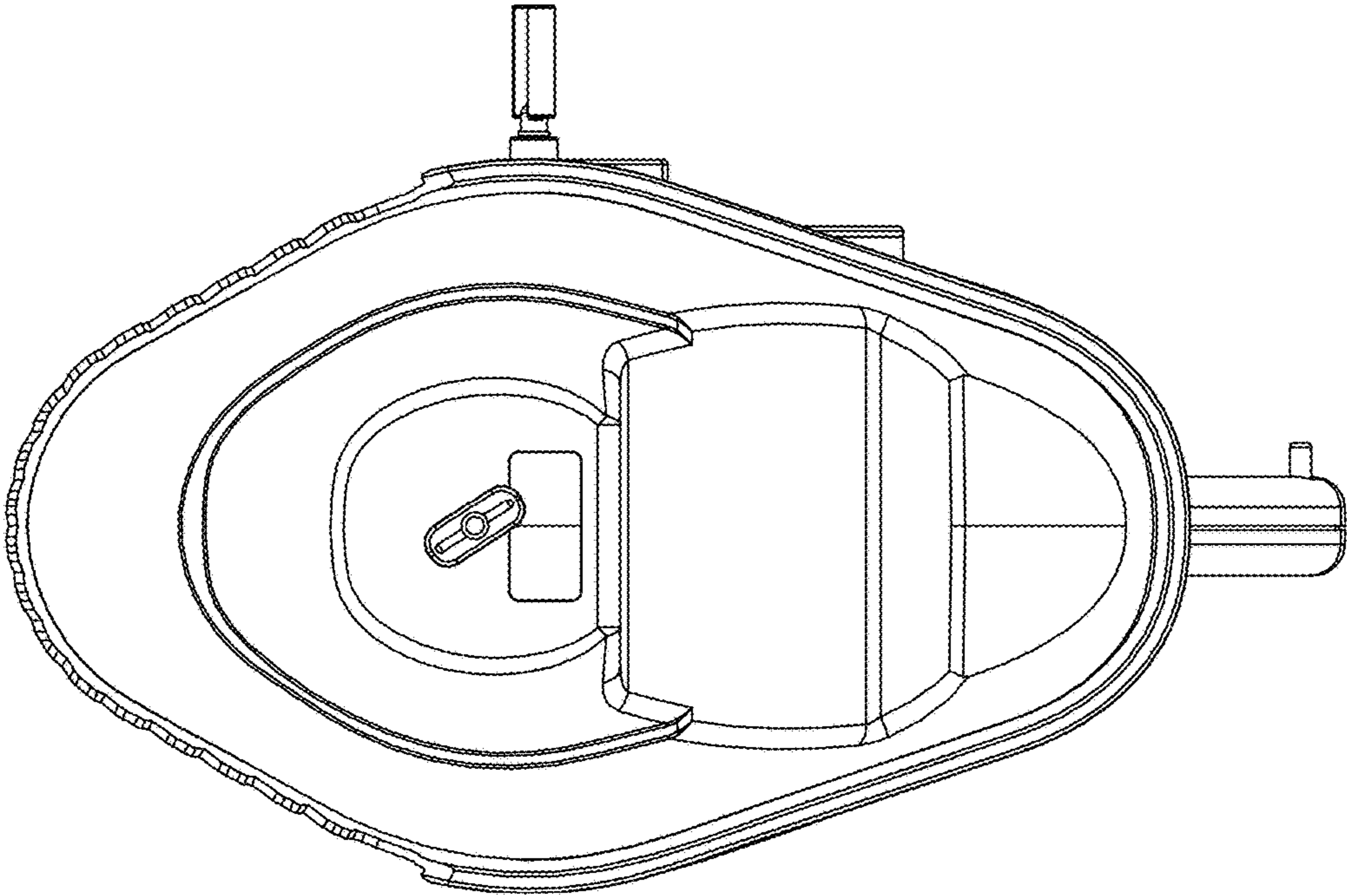


FIG. 6

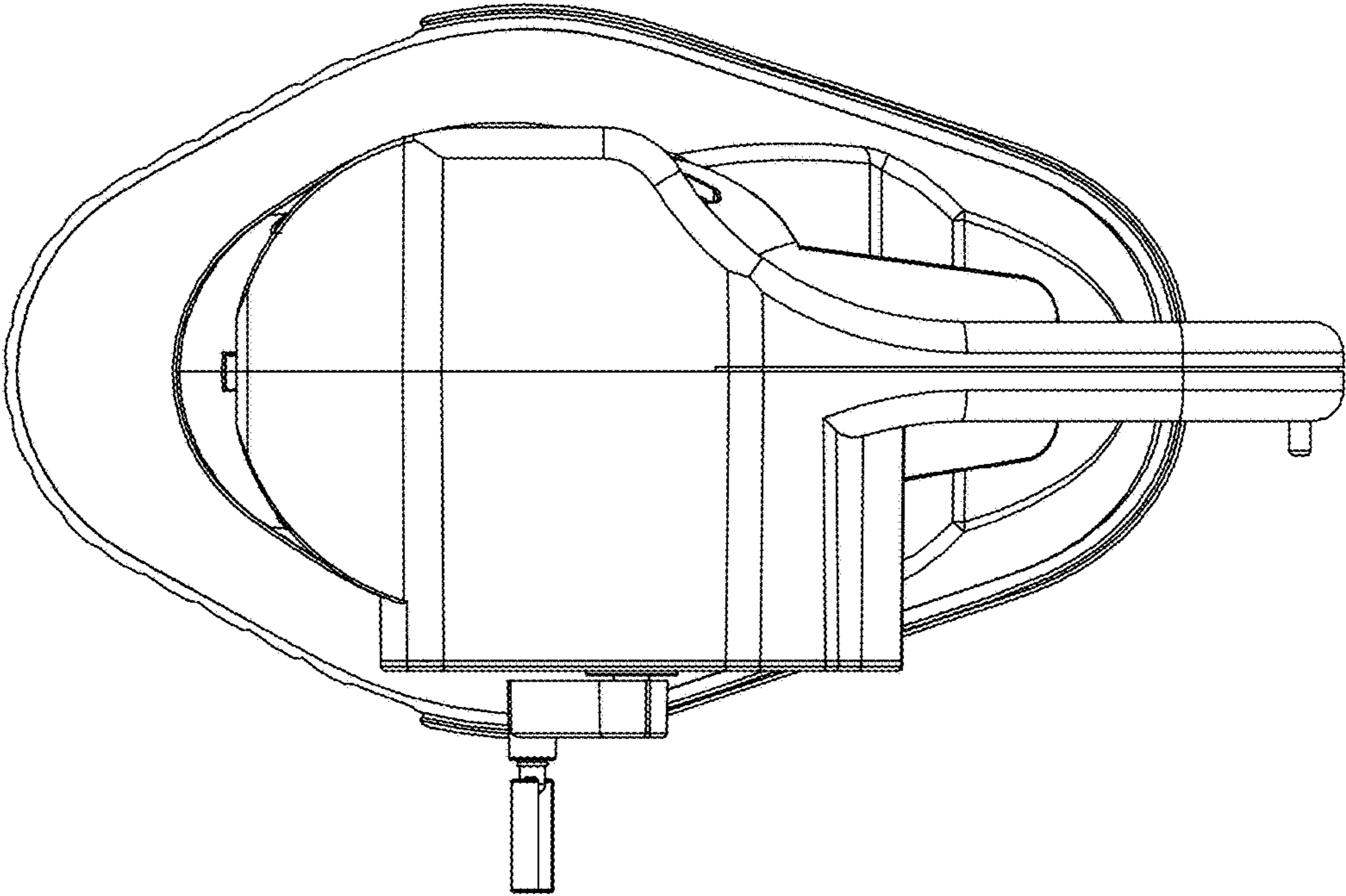


FIG. 7

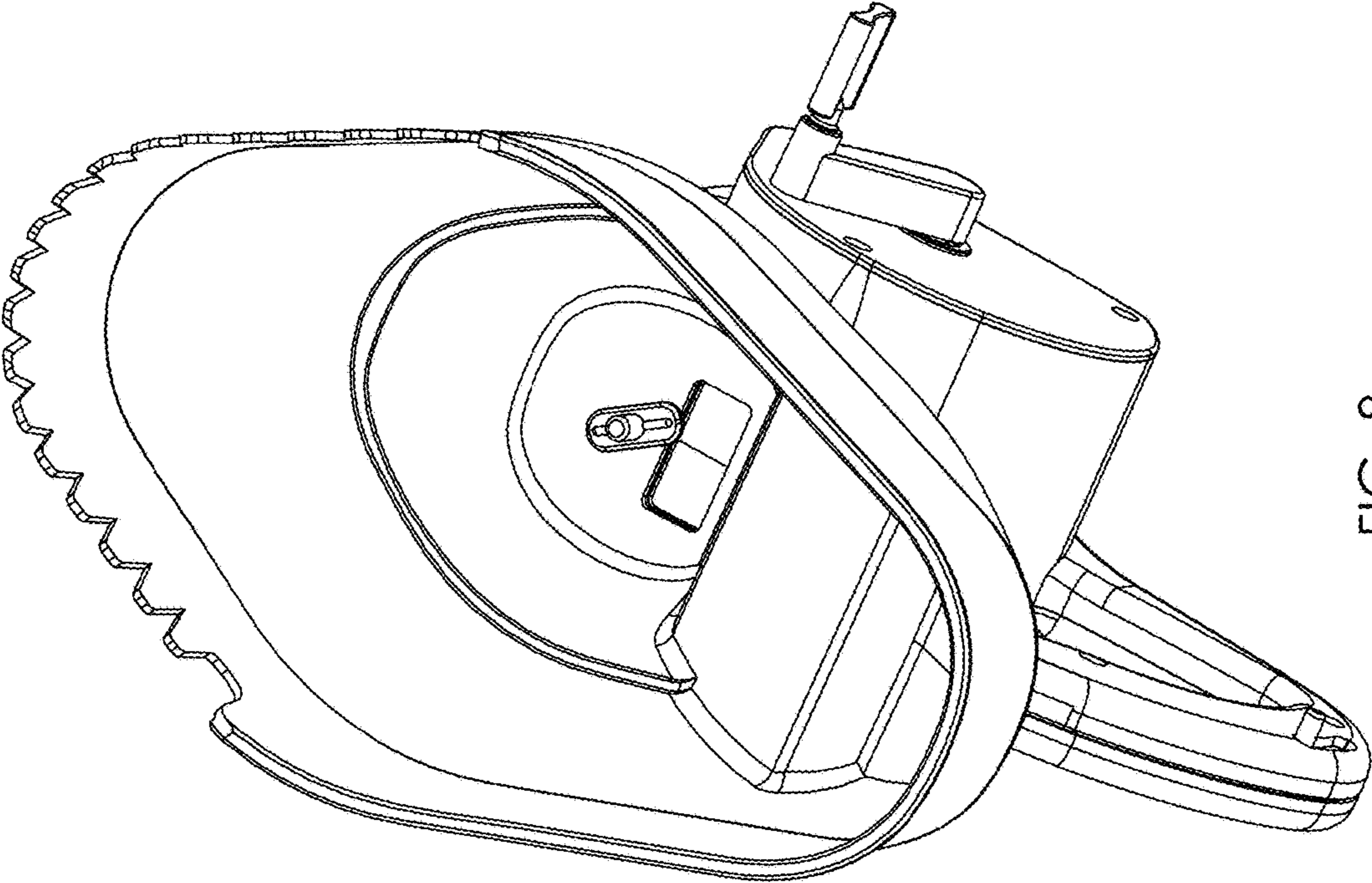


FIG. 8

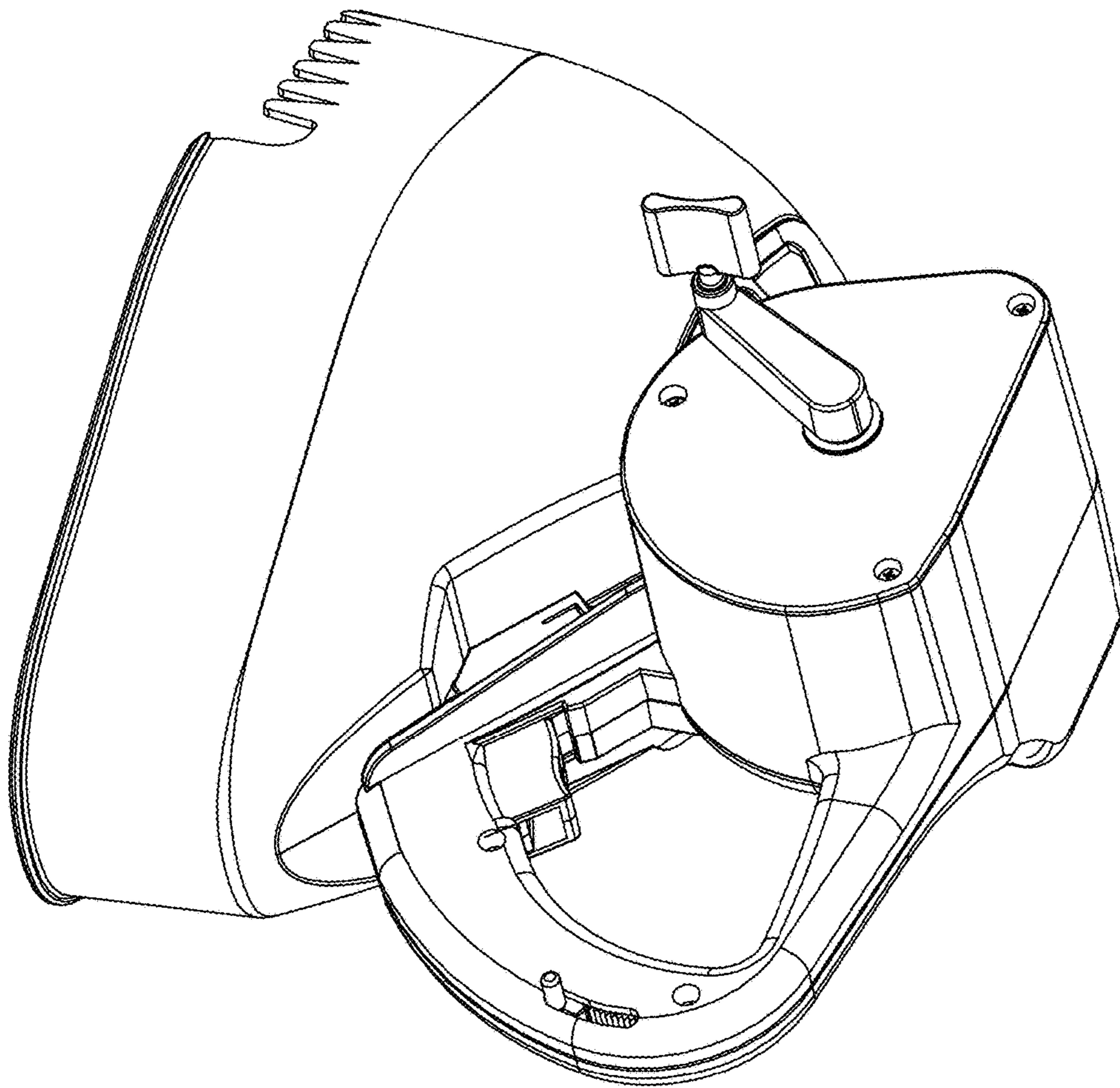


FIG. 9