



US00D823654S

(12) **United States Design Patent** (10) **Patent No.:** **US D823,654 S**  
**Harris** (45) **Date of Patent:** **\*\* Jul. 24, 2018**

(54) **PORTABLE BEVERAGE HOLDER**

(57) **CLAIM**

(71) Applicant: **BUDDY PRODUCTS, INC.**, Fort Lauderdale, FL (US)

The ornamental design for a portable beverage holder, as shown and described.

(72) Inventor: **Norman E. Harris**, West Palm Beach, FL (US)

(\*\*) Term: **15 Years**

**DESCRIPTION**

(21) Appl. No.: **29/587,737**

FIG. 1 is a top perspective view of a first embodiment of a portable beverage holder for holding beverages showing my design;

(22) Filed: **Dec. 15, 2016**

FIG. 2 is a bottom perspective view of a first embodiment of a portable beverage holder;

(51) **LOC (11) Cl.** ..... **07-06**

FIG. 3 is a top view of a first embodiment of a portable beverage holder;

(52) **U.S. Cl.**

USPC ..... **D7/707**

FIG. 4 is a bottom view of a first embodiment of a portable beverage holder;

(58) **Field of Classification Search**

USPC ..... D7/603-608, 701-708, 619.1-625

CPC ..... A47G 19/228; A45C 11/20; F25D 3/08;

F25D 31/002; F25D 31/006; F25D

31/007; F25D 31/008; A61J 1/165

See application file for complete search history.

FIG. 5 is a front view of a first embodiment of a portable beverage holder, with the back side being a mirror image of the front view thereof;

FIG. 6 is a left side view of a first embodiment of a portable beverage holder, with the right side view being a mirror image of the left side view thereof;

(56) **References Cited**

**U.S. PATENT DOCUMENTS**

5,924,303 A \* 7/1999 Hodosh ..... A45C 11/20  
220/592.17

D499,029 S \* 11/2004 Maarberg ..... D10/46.3

6,851,276 B2 \* 2/2005 Perrins ..... A45C 11/20  
62/371

D592,911 S \* 5/2009 Buchanan ..... D7/605

7,805,959 B2 \* 10/2010 Webb ..... F25D 3/08  
62/457.3

8,230,697 B2 \* 7/2012 Lavallee ..... F25D 3/08  
62/457.7

FIG. 7 is a top perspective view of a second embodiment of a portable beverage holder for holding beverages showing my design;

FIG. 8 is a bottom perspective view of a second embodiment of a portable beverage holder;

FIG. 9 is a top view of a second embodiment of a portable beverage holder;

FIG. 10 is a bottom view of a second embodiment of a portable beverage holder;

FIG. 11 is a front view of a second embodiment of a portable beverage holder, with the back view being mirror image of the front view thereof; and,

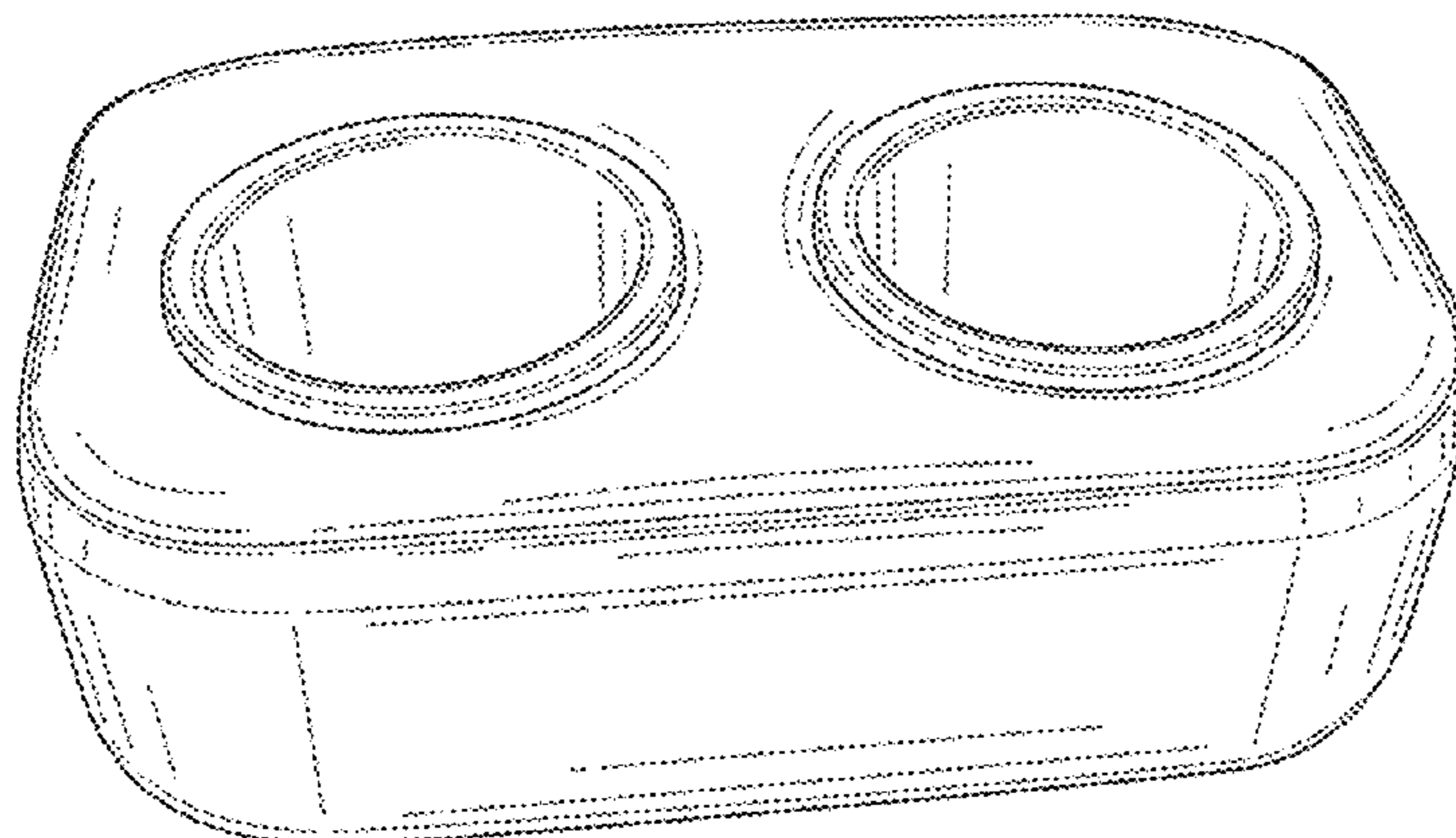
FIG. 12 is a left side view of a second embodiment of a portable beverage holder, with the right side view being a mirror image of the left side view thereof.

\* cited by examiner

*Primary Examiner* — Terry A Wallace

(74) *Attorney, Agent, or Firm* — Tucker Law, P.A.;  
Matthew Sean Tucker, Esq.

**1 Claim, 12 Drawing Sheets**



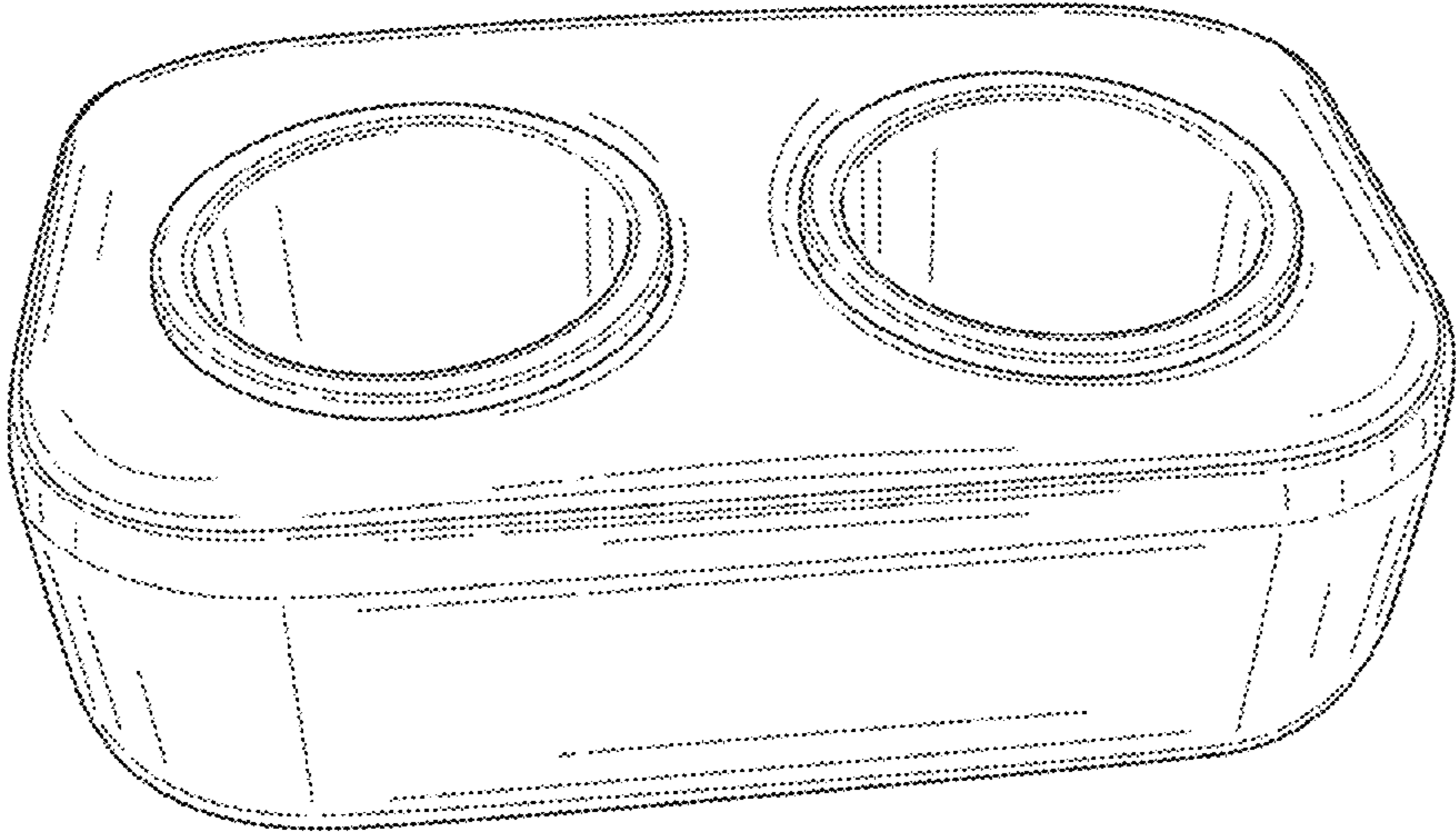


FIG. 1

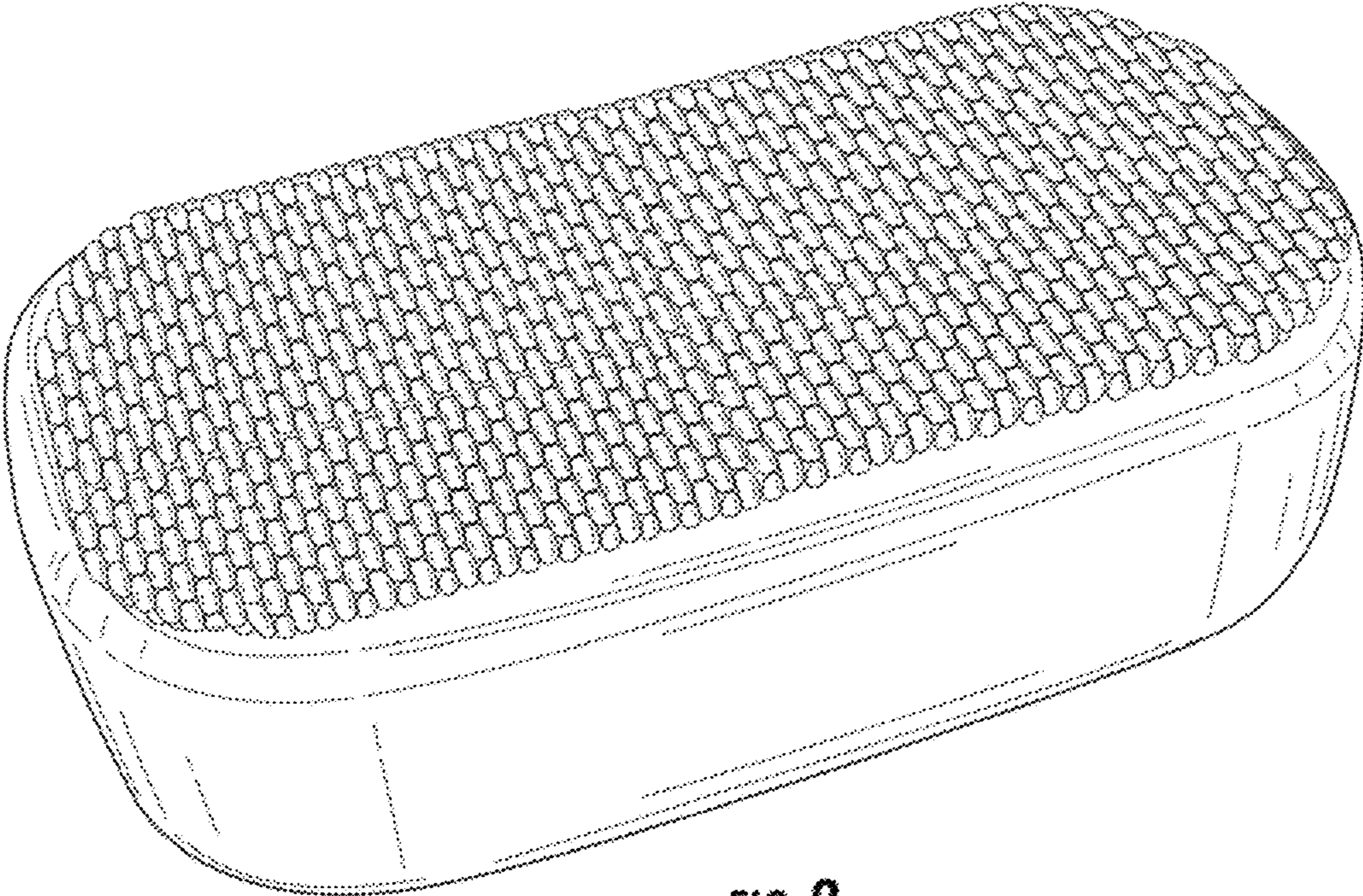


FIG. 2

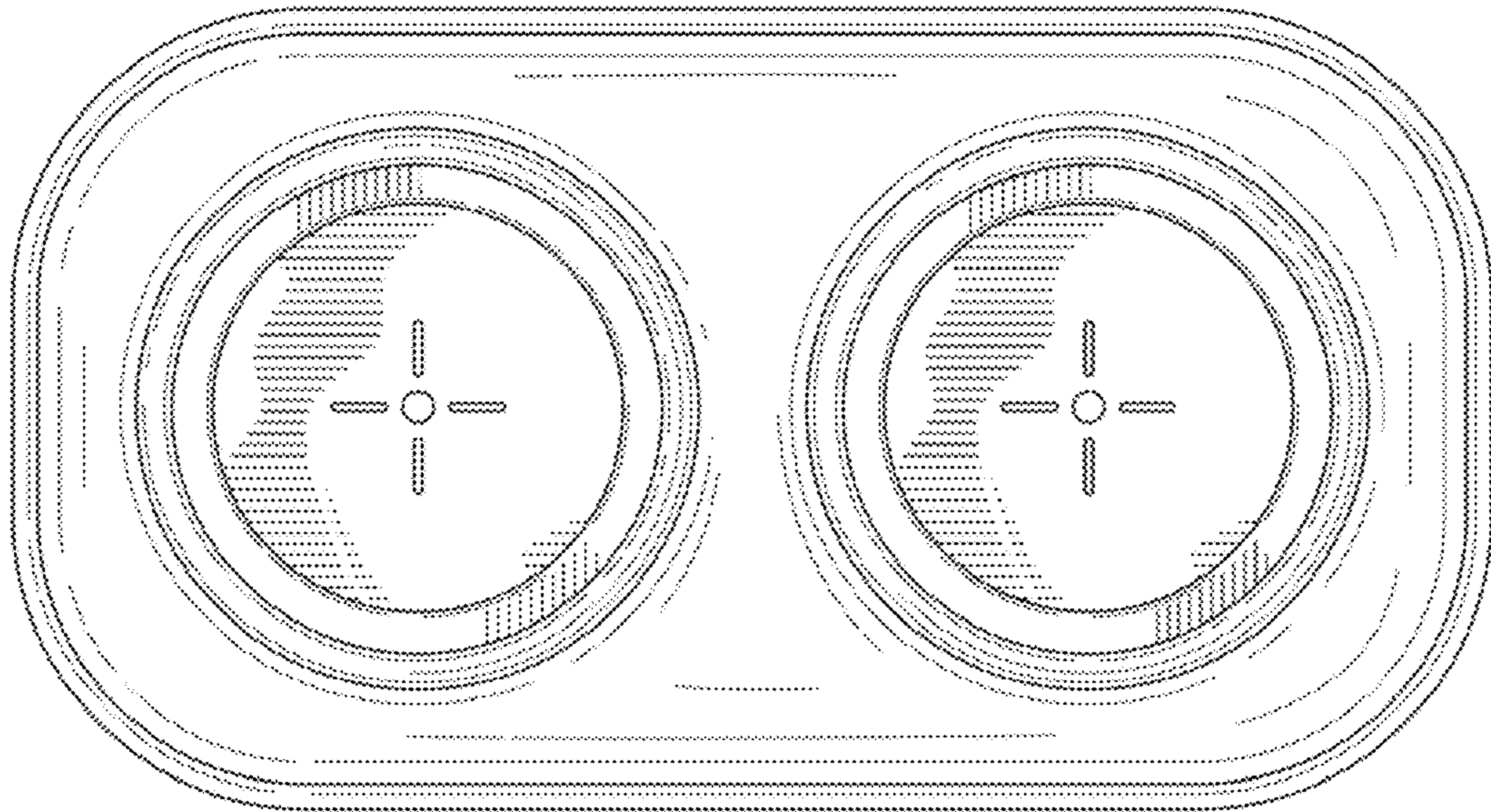


FIG. 3

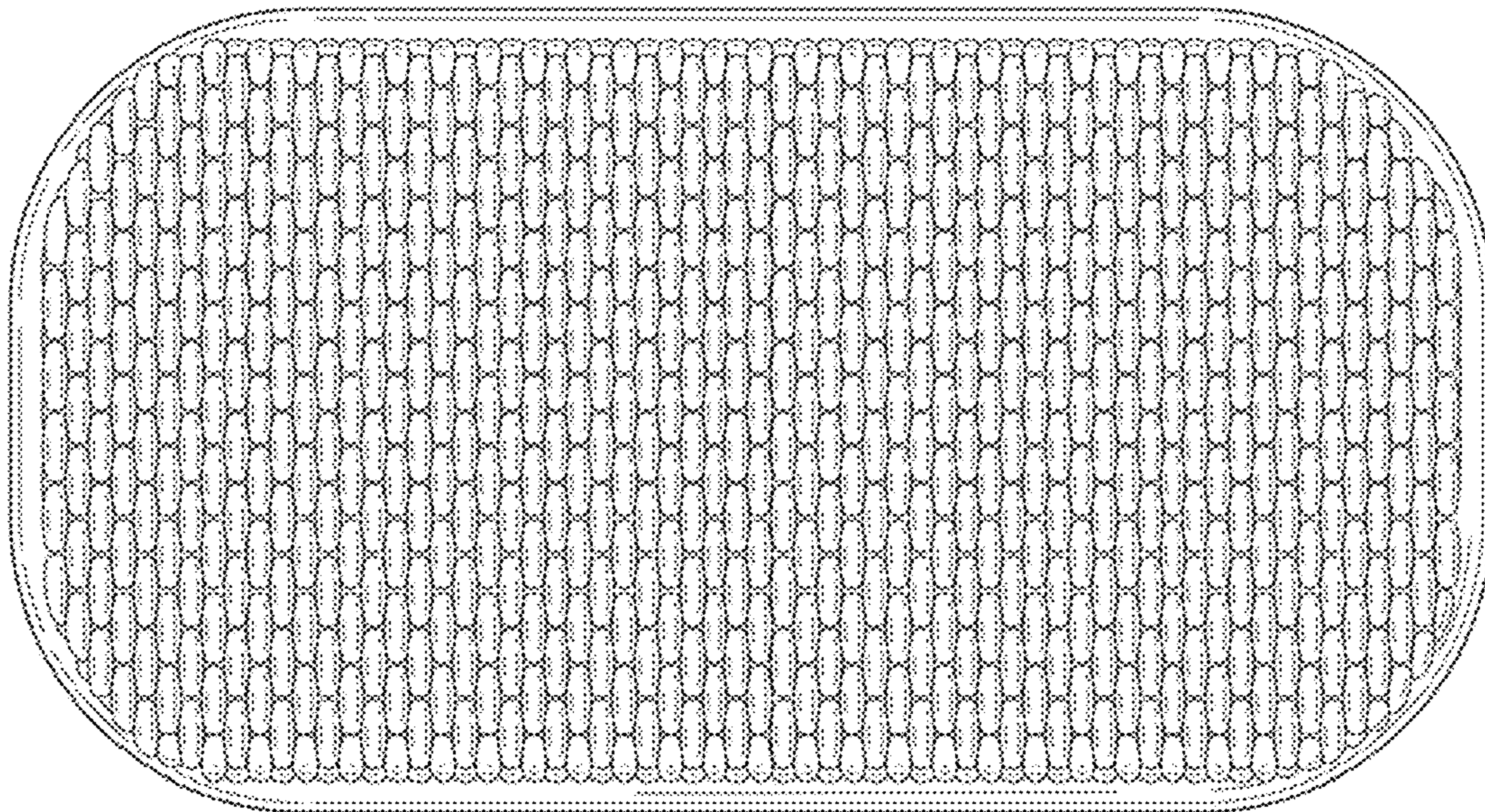


FIG. 4

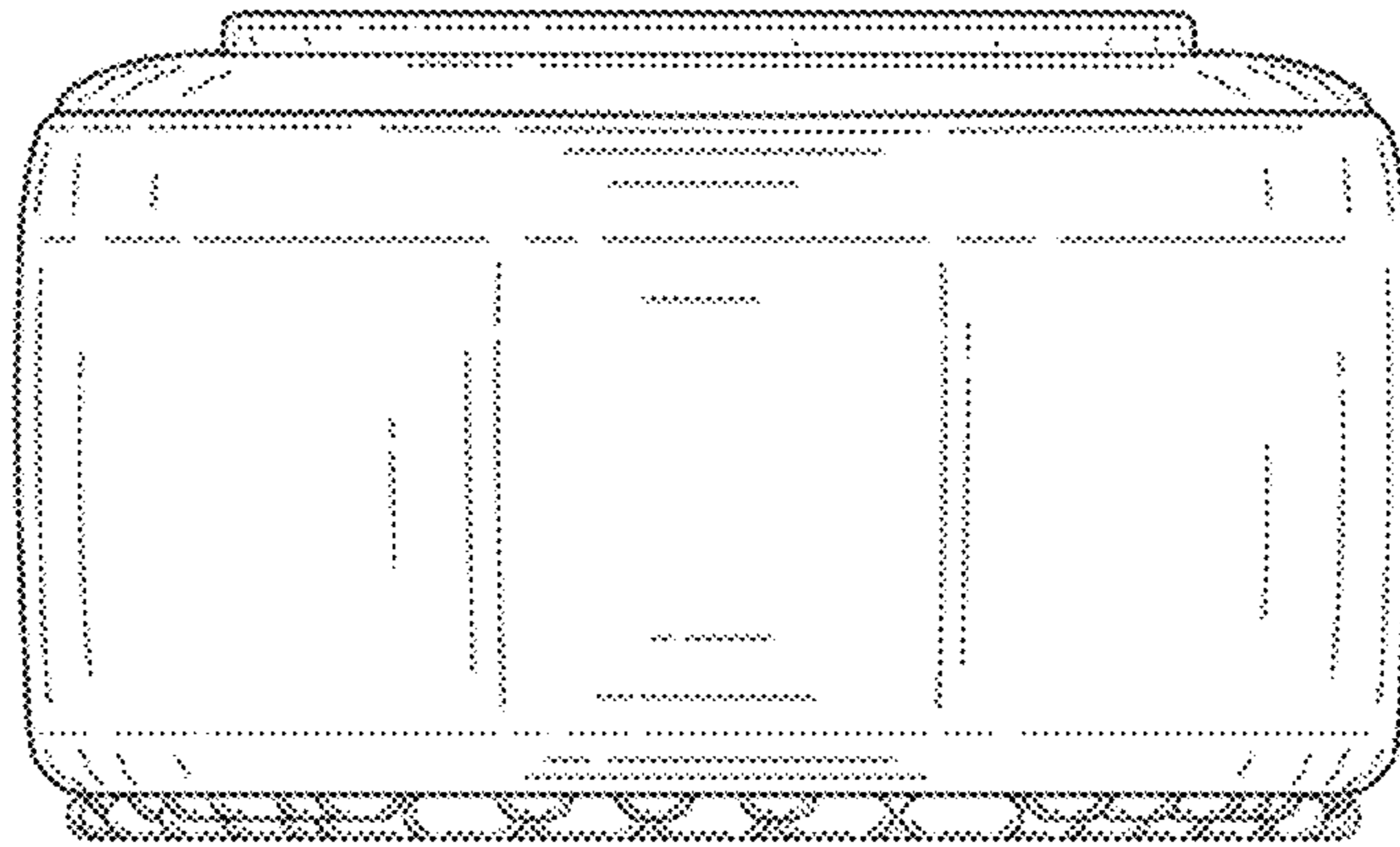


FIG. 5

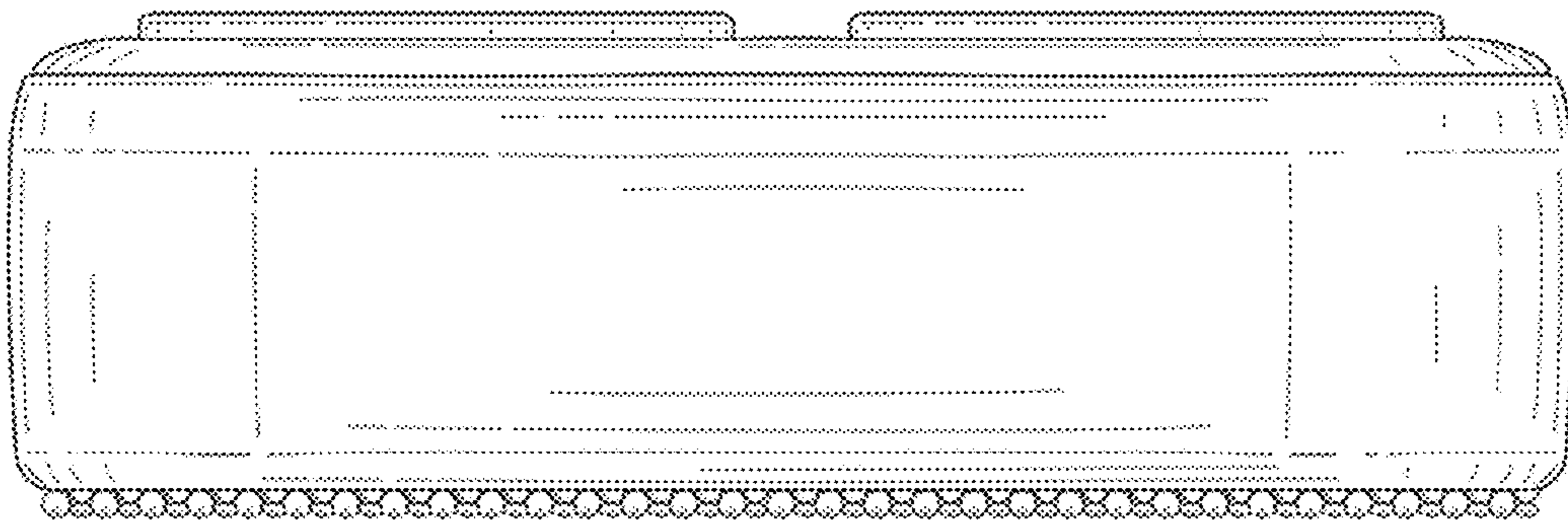


FIG. 6

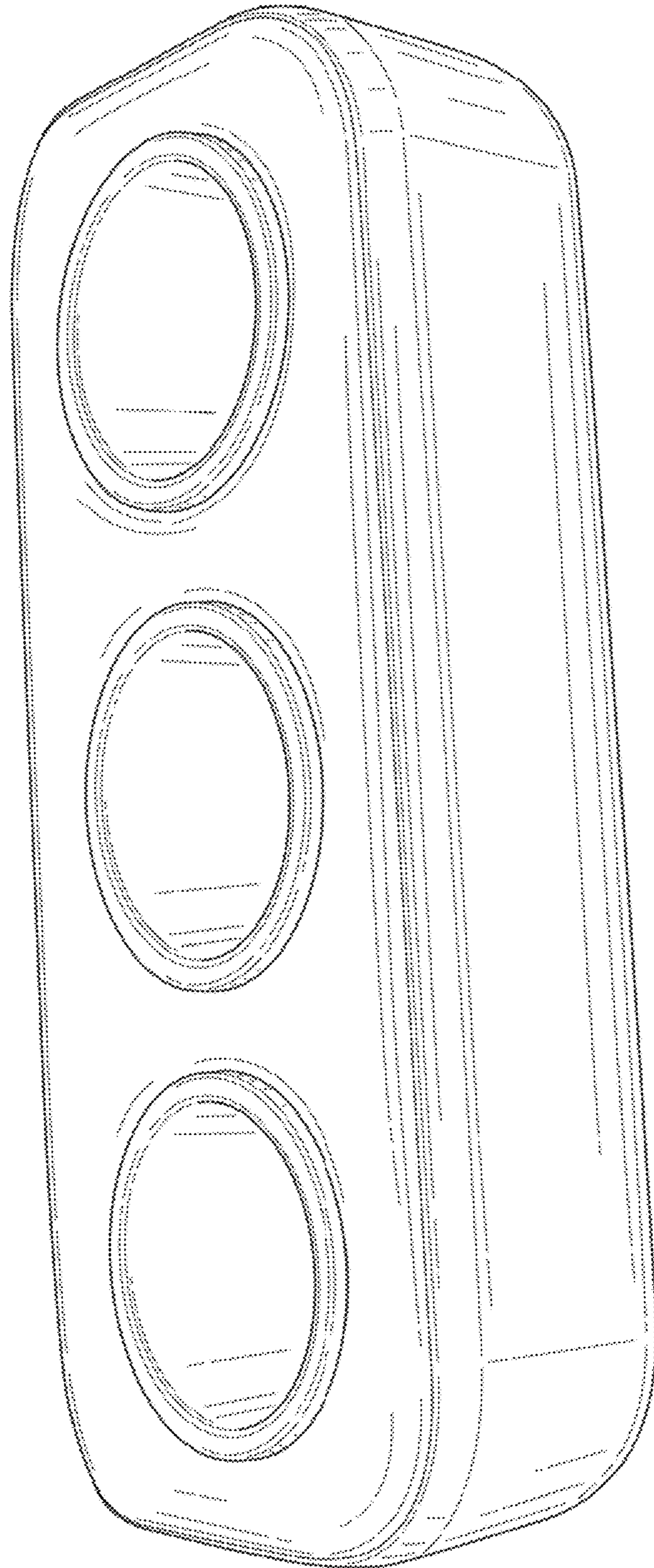


FIG. 7



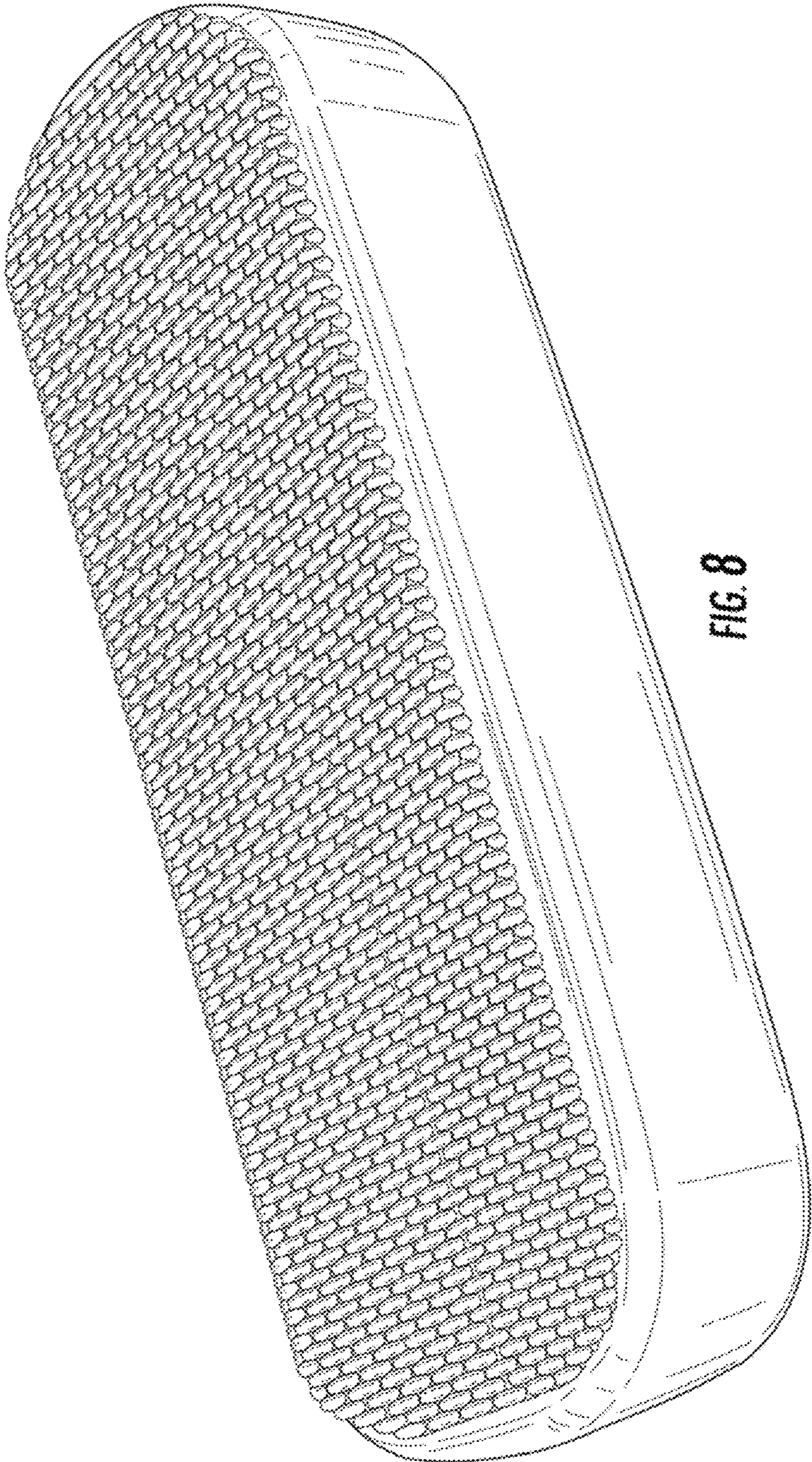


FIG. 8

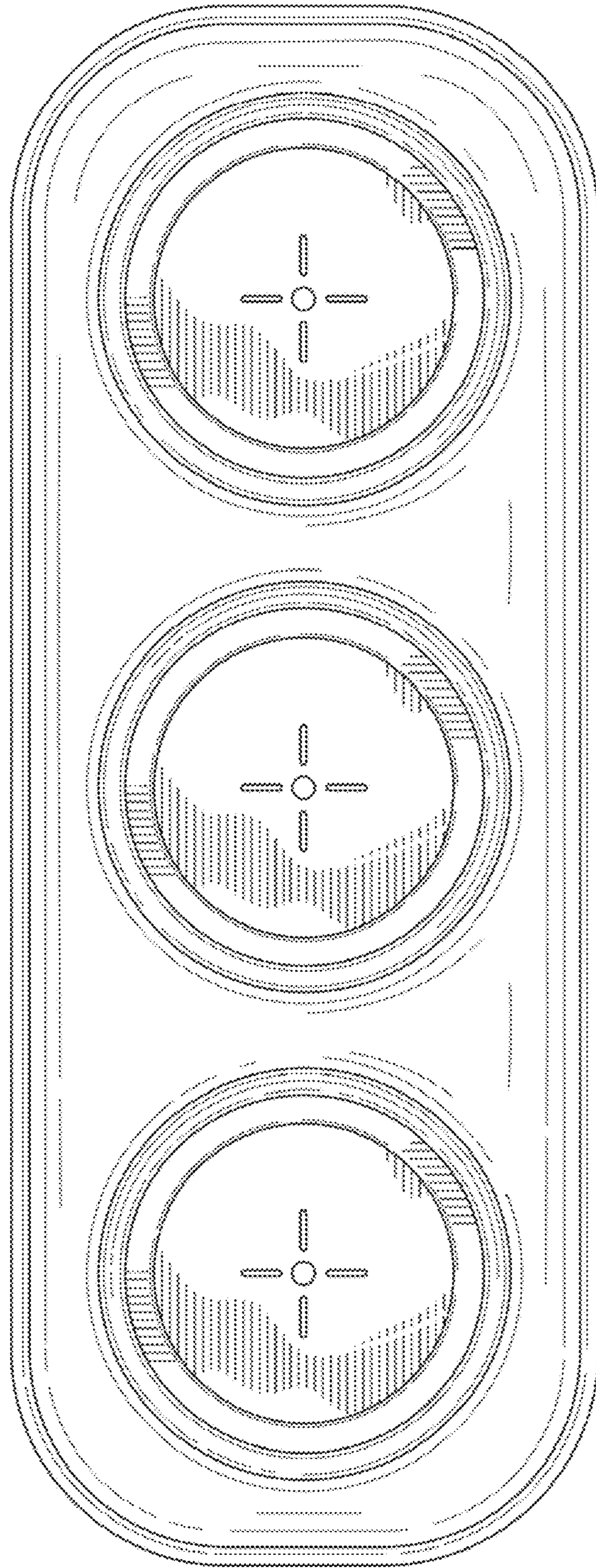


FIG. 9

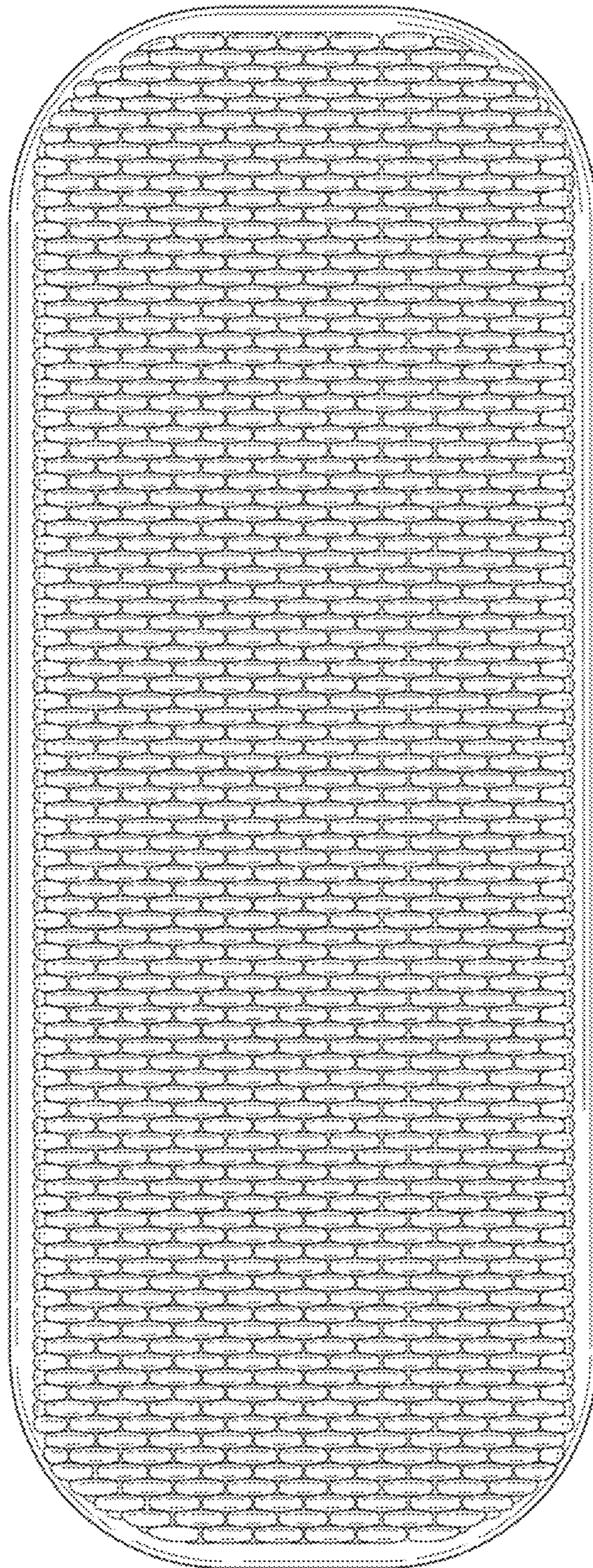
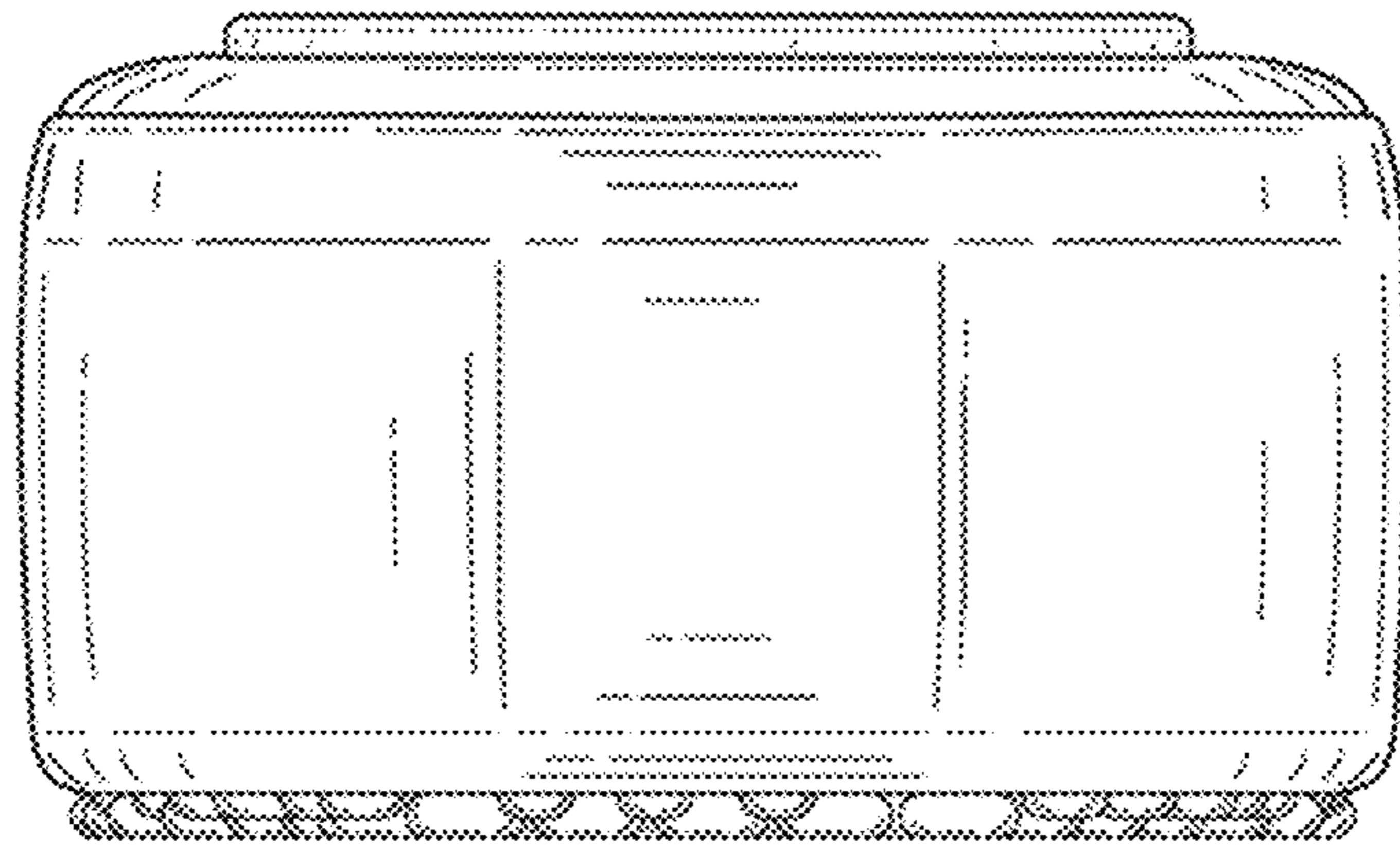


FIG. 10



**FIG. 11**

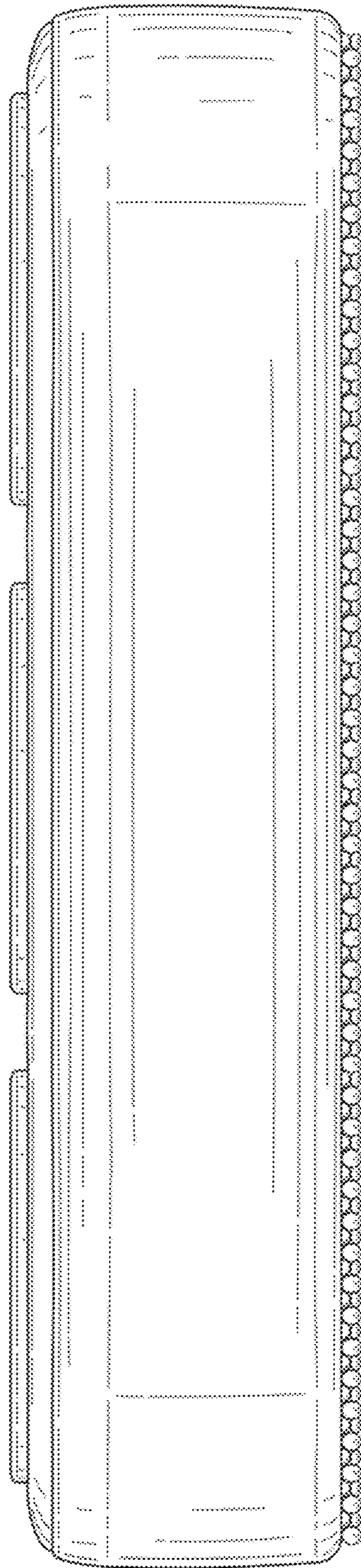


FIG. 12