



US00D823652S

(12) **United States Design Patent** (10) **Patent No.:** **US D823,652 S**
Dooley et al. (45) **Date of Patent:** **** Jul. 24, 2018**

(54) **MULTI-PURPOSE SCOOP**

(71) Applicants: **Thomas Dooley**, Media, PA (US); **Paul Lacotta**, Tenafly, NJ (US)

(72) Inventors: **Thomas Dooley**, Media, PA (US); **Paul Lacotta**, Tenafly, NJ (US)

(73) Assignee: **HELEN OF TROY LIMITED**, St. Michael (BB)

(**) Term: **15 Years**

(21) Appl. No.: **29/608,551**

(22) Filed: **Jun. 22, 2017**

(51) **LOC (11) Cl.** **07-04**

(52) **U.S. Cl.**
USPC **D7/691**

(58) **Field of Classification Search**
USPC D7/680-696, 669, 393, 395, 653-664;
D10/46.2, 46.3
CPC .. A47J 19/00; A47J 43/24; A47J 43/28; A47J
47/20; A01B 1/02; A47G 21/04; A47F
13/08

See application file for complete search history.

(56) **References Cited**

U.S. PATENT DOCUMENTS

D422,462 S *	4/2000	Rivkin	D7/691
D460,328 S *	7/2002	de Groote	D10/46.2
D501,374 S *	2/2005	Crowley	D7/681
D618,070 S *	6/2010	Jalet	D7/691
D736,043 S *	8/2015	Lee	D7/691

* cited by examiner

Primary Examiner — Terry A Wallace

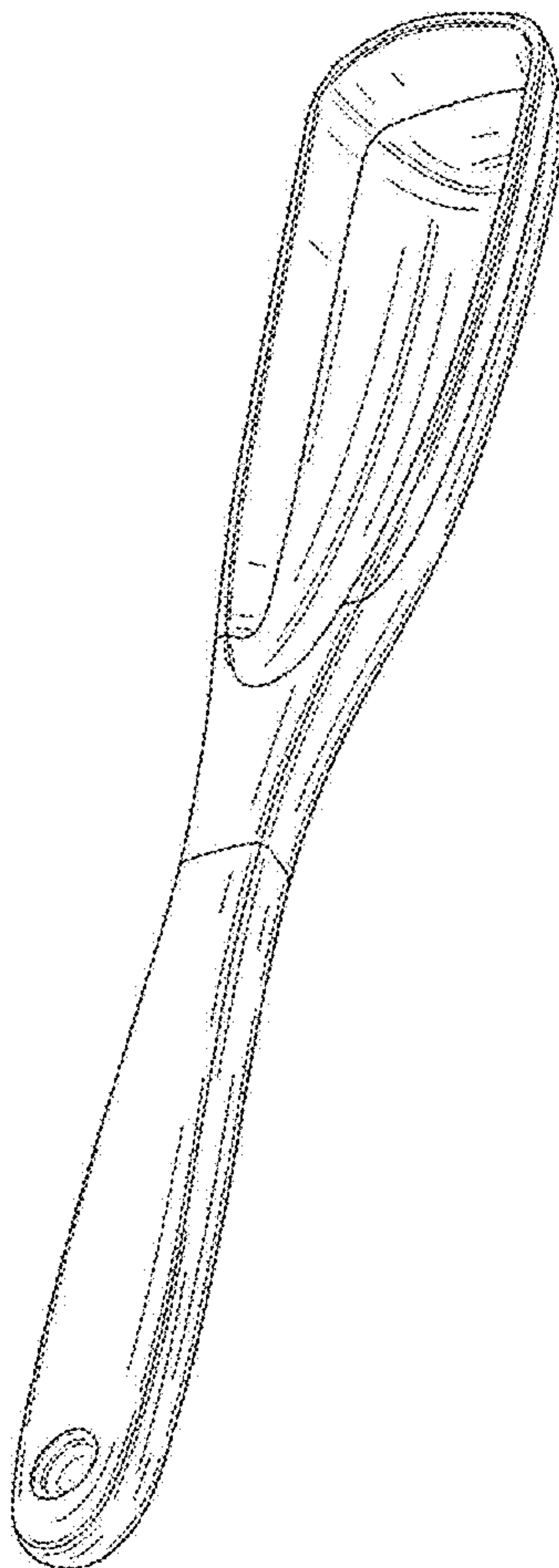
(57) **CLAIM**

The ornamental design for a multi-purpose scoop, as shown, and described.

DESCRIPTION

FIG. 1 is a perspective view of the multi-purpose scoop; FIG. 2 is a left side view of the multi-purpose scoop (with the right side a mirror image thereof); FIG. 3 is a top view of the multi-purpose scoop; FIG. 4 is a bottom view of the multi-purpose scoop; FIG. 5 is a front view of the multi-purpose scoop; and, FIG. 6 is a rear view of the multi-purpose scoop.

1 Claim, 6 Drawing Sheets



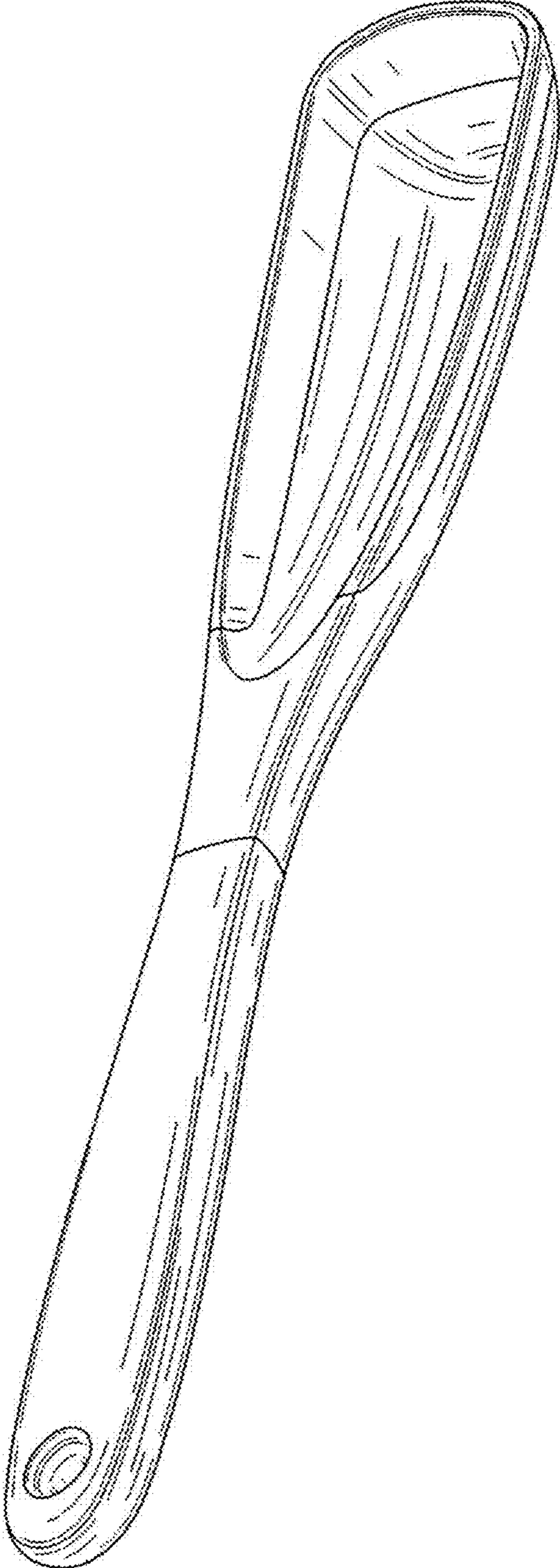


FIG. 1

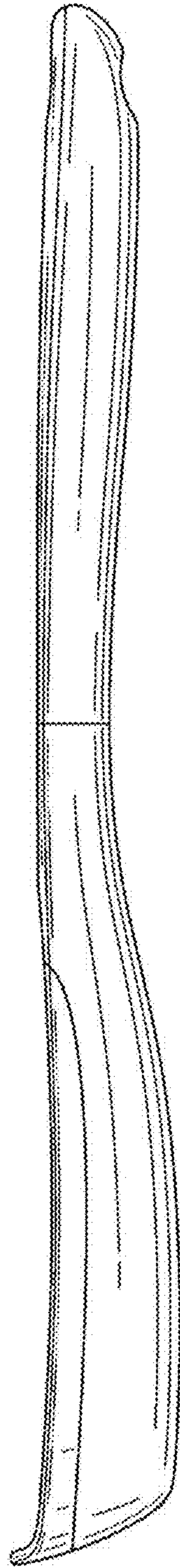


FIG. 2

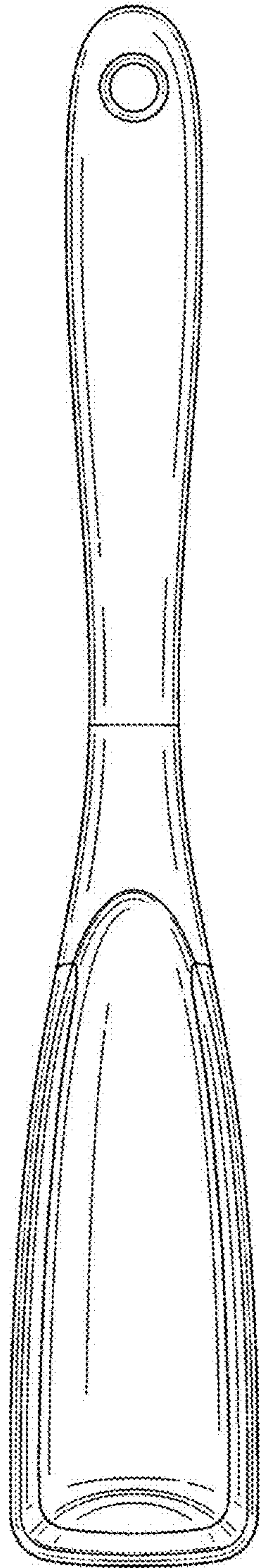


FIG. 3

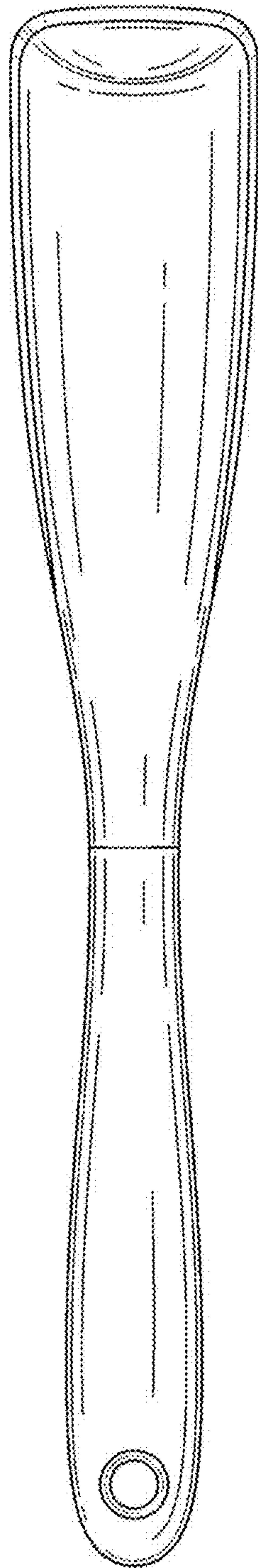


FIG. 4

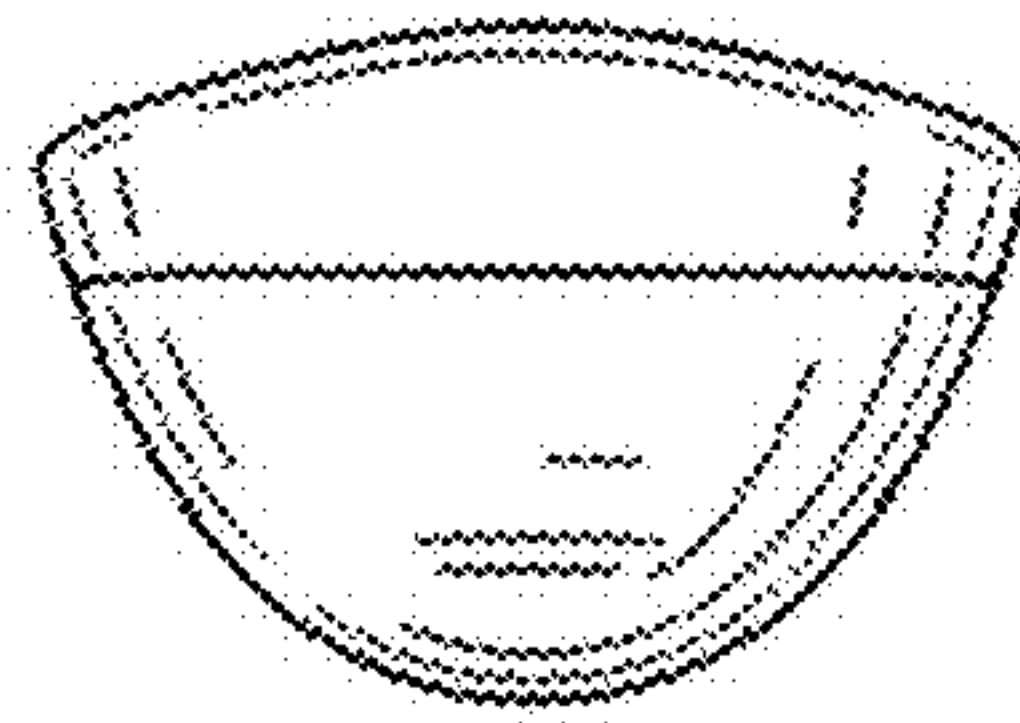


FIG. 5

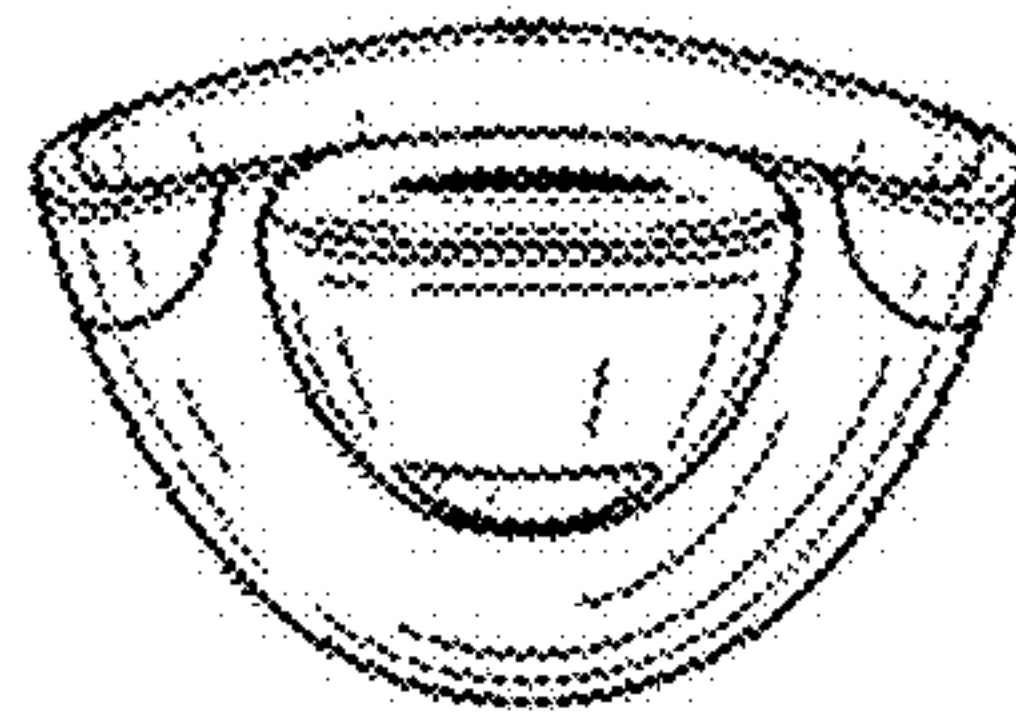


FIG. 6