



US00D823651S

(12) **United States Design Patent** (10) **Patent No.:** **US D823,651 S**
Repac (45) **Date of Patent:** **** Jul. 24, 2018**

(54) **HAND-OPERATED DEVICE FOR CHOPPING AND SLICING FOOD**

(71) Applicant: **Genius GmbH**, Limburg (DE)

(72) Inventor: **Cedomir Repac**, Brechen (DE)

(73) Assignee: **GENIUS GMBH**, Limburg (DE)

(**) Term: **15 Years**

(21) Appl. No.: **29/606,244**

(22) Filed: **Jun. 2, 2017**

Related U.S. Application Data

(62) Division of application No. 29/526,287, filed on May 7, 2015, now Pat. No. Des. 790,931.

Foreign Application Priority Data

Nov. 7, 2014 (EM) 002573956-0001
Nov. 7, 2014 (EM) 002573956-0006
Nov. 7, 2014 (EM) 002573956-0016

(51) **LOC (11) Cl.** **07-04**

(52) **U.S. Cl.**
USPC **D7/678; D7/672**

(58) **Field of Classification Search**
USPC D7/672-677, 354, 693-696, 678
CPC A47J 43/00; A47J 43/25; B26D 2210/02;
B26D 1/143; B26D 3/283; B26D 3/26;
B26D 3/185; B26D 2003/288; B26D
2003/286
See application file for complete search history.

(56) **References Cited**

U.S. PATENT DOCUMENTS

4,212,431 A 7/1980 Doyel
4,928,893 A 5/1990 Prindle

D330,316 S	10/1992	So	
D447,019 S	8/2001	Wong	
D447,391 S	9/2001	Bodum	
D499,615 S	12/2004	Nordgren	
D512,609 S	12/2005	Kaposi	
D545,642 S *	7/2007	Wong	D7/674
D548,547 S *	8/2007	Kaposi	D7/672
D618,517 S *	6/2010	Wong	D7/672
D632,139 S	2/2011	Repac	
D708,917 S *	7/2014	Wong	D7/672
D715,603 S	10/2014	McGuyer	
D730,704 S	6/2015	Repac	
D776,987 S *	1/2017	Repac	D7/672
D776,988 S *	1/2017	Repac	D7/672
D777,537 S *	1/2017	Repac	D7/672
9,597,815 B2 *	3/2017	Repac	B26D 3/283
D790,931 S *	7/2017	Repac	D7/678
2008/0029631 A1	2/2008	Boerner	
2009/0277343 A1 *	11/2009	Ghimire	B26D 3/26 99/537

(Continued)

Primary Examiner — Susan B Hattan

Assistant Examiner — Brett A Miller

(74) *Attorney, Agent, or Firm* — Hodgson Russ LLP

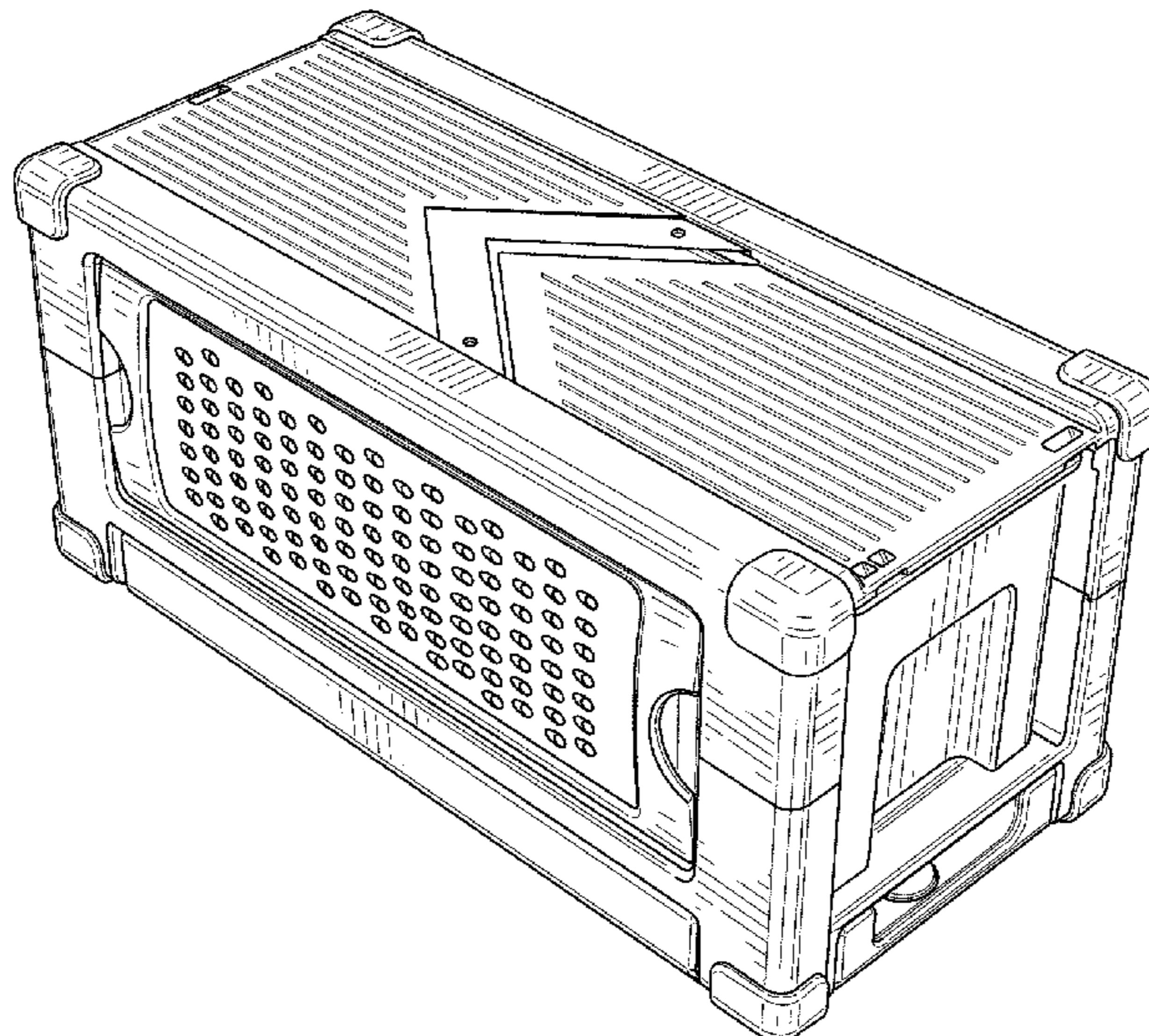
(57) **CLAIM**

The ornamental design for a hand-operated device for chopping and slicing food, as shown and described.

DESCRIPTION

FIG. 1 is a perspective view of a hand-operated device for chopping and slicing food;
FIG. 2 is a bottom plan view thereof;
FIG. 3 is a front elevation view thereof;
FIG. 4 is a right side elevation view thereof;
FIG. 5 is a left side elevation view thereof;
FIG. 6 is a top plan view thereof; and,
FIG. 7 is a rear elevation view thereof.
The broken lines depict portions of the device that form no part of the claim.

1 Claim, 7 Drawing Sheets



(56)

References Cited

U.S. PATENT DOCUMENTS

2015/0337889 A1 * 11/2015 Repac B26D 3/26
241/84.3
2015/0367525 A1 12/2015 Repac
2016/0158956 A1 6/2016 Repac

* cited by examiner

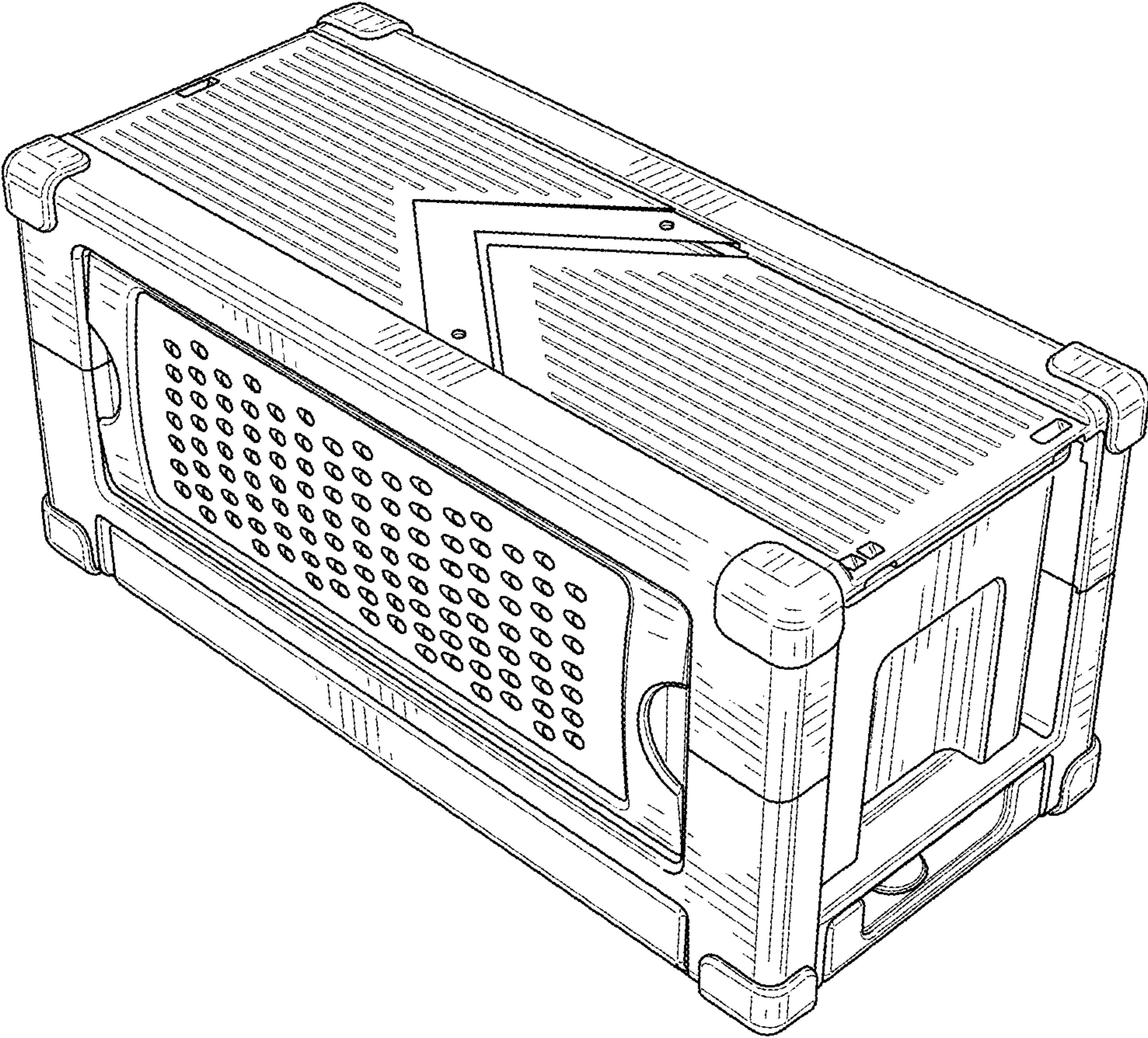


FIG. 1

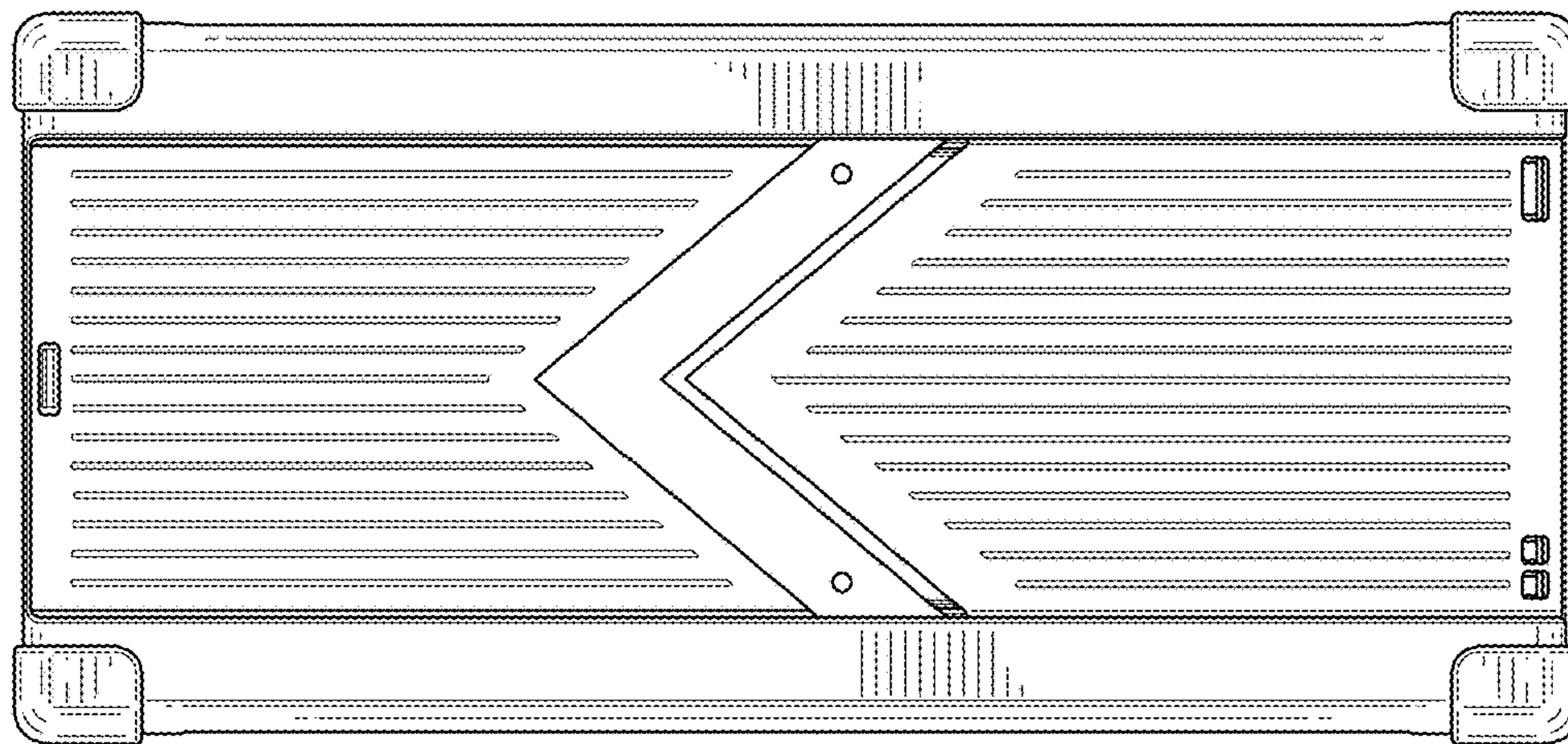


FIG. 2

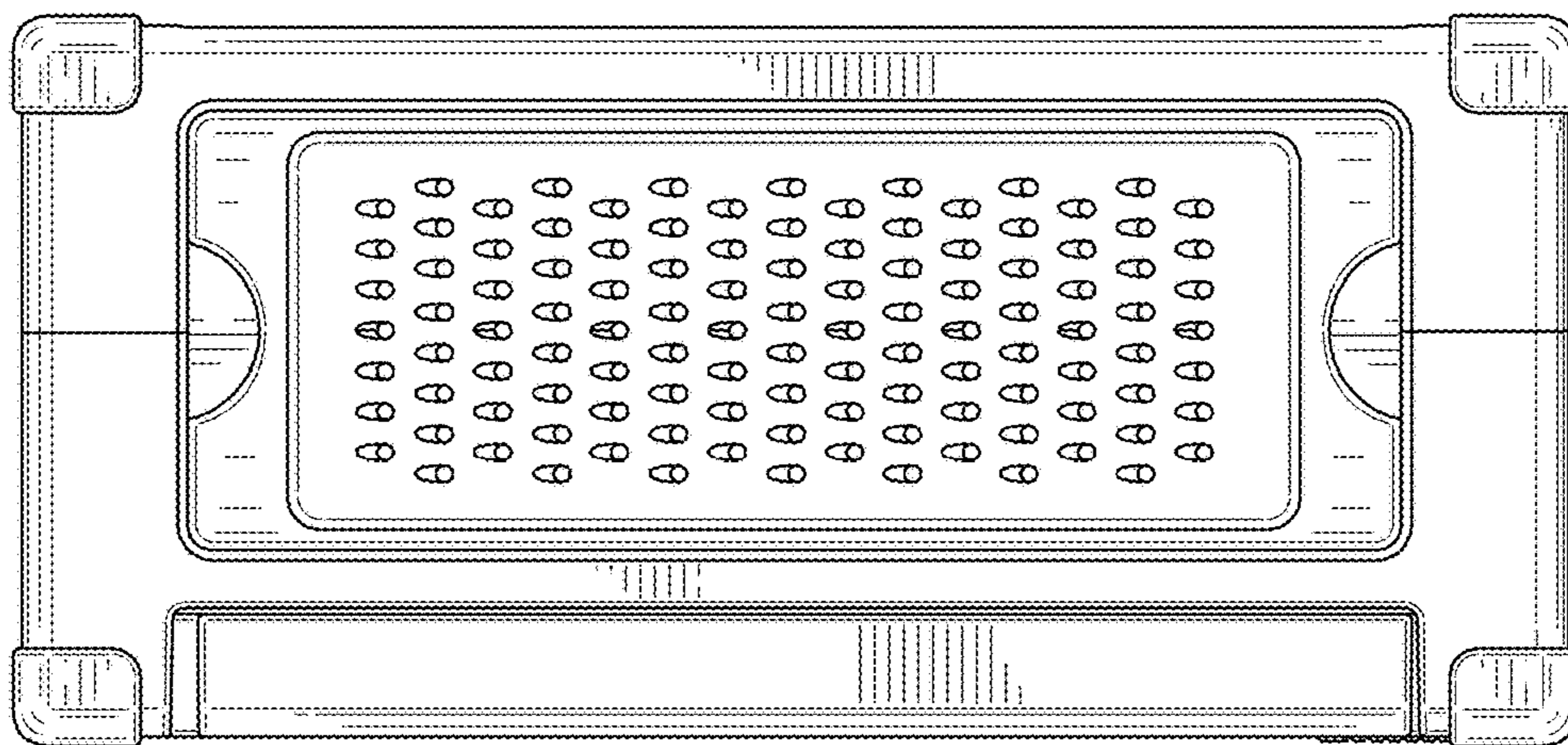


FIG. 3

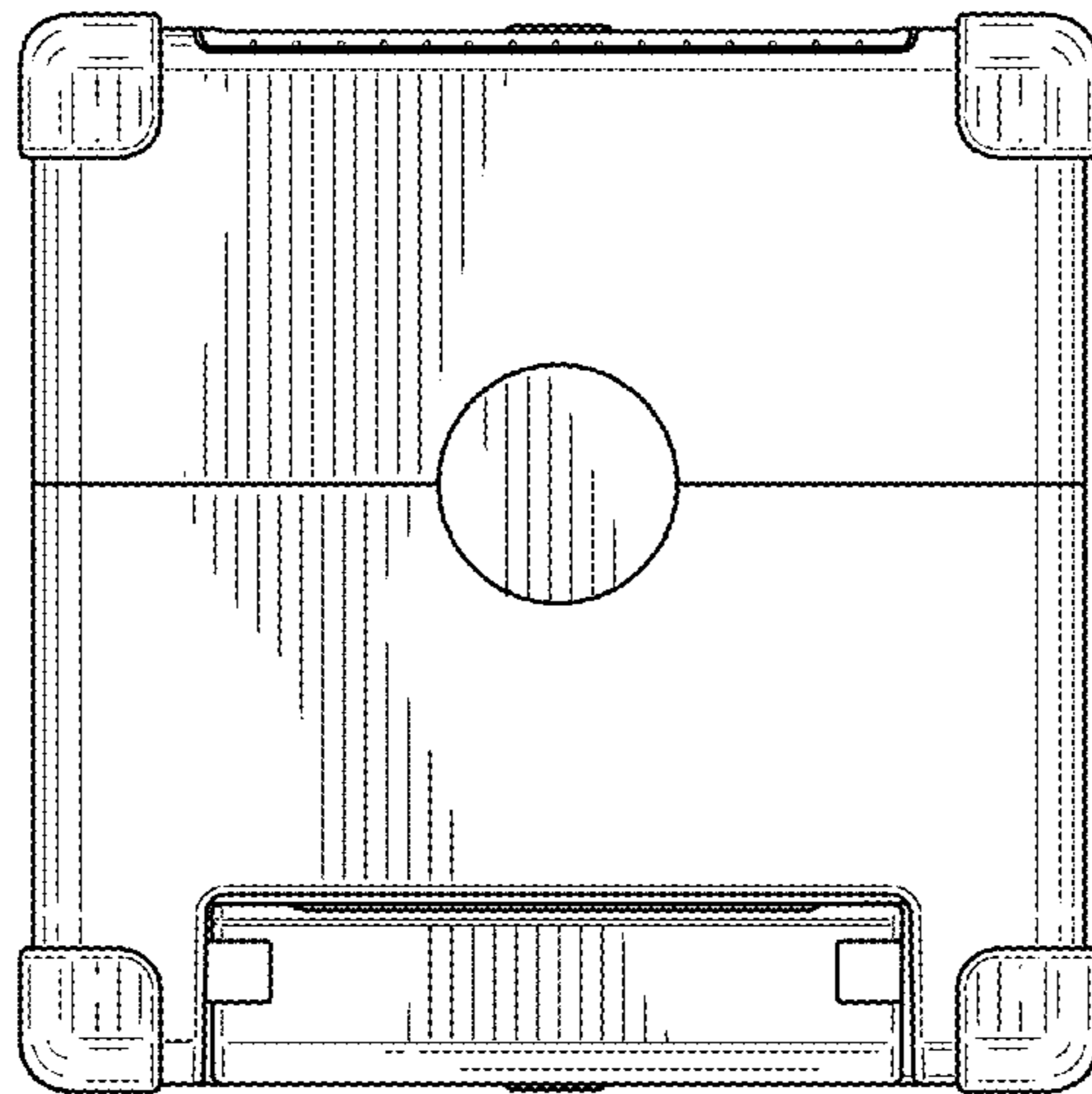


FIG. 4

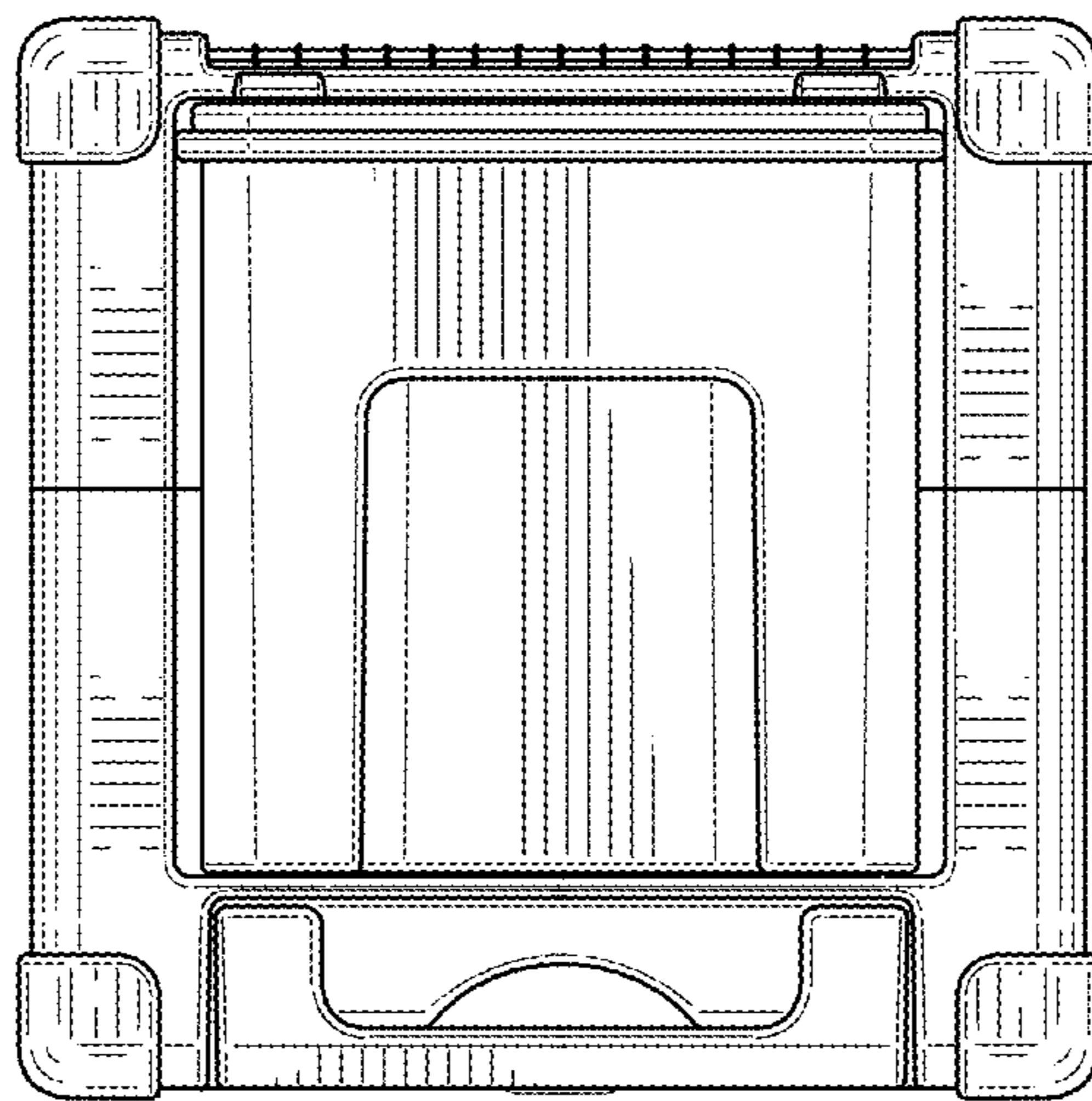


FIG. 5

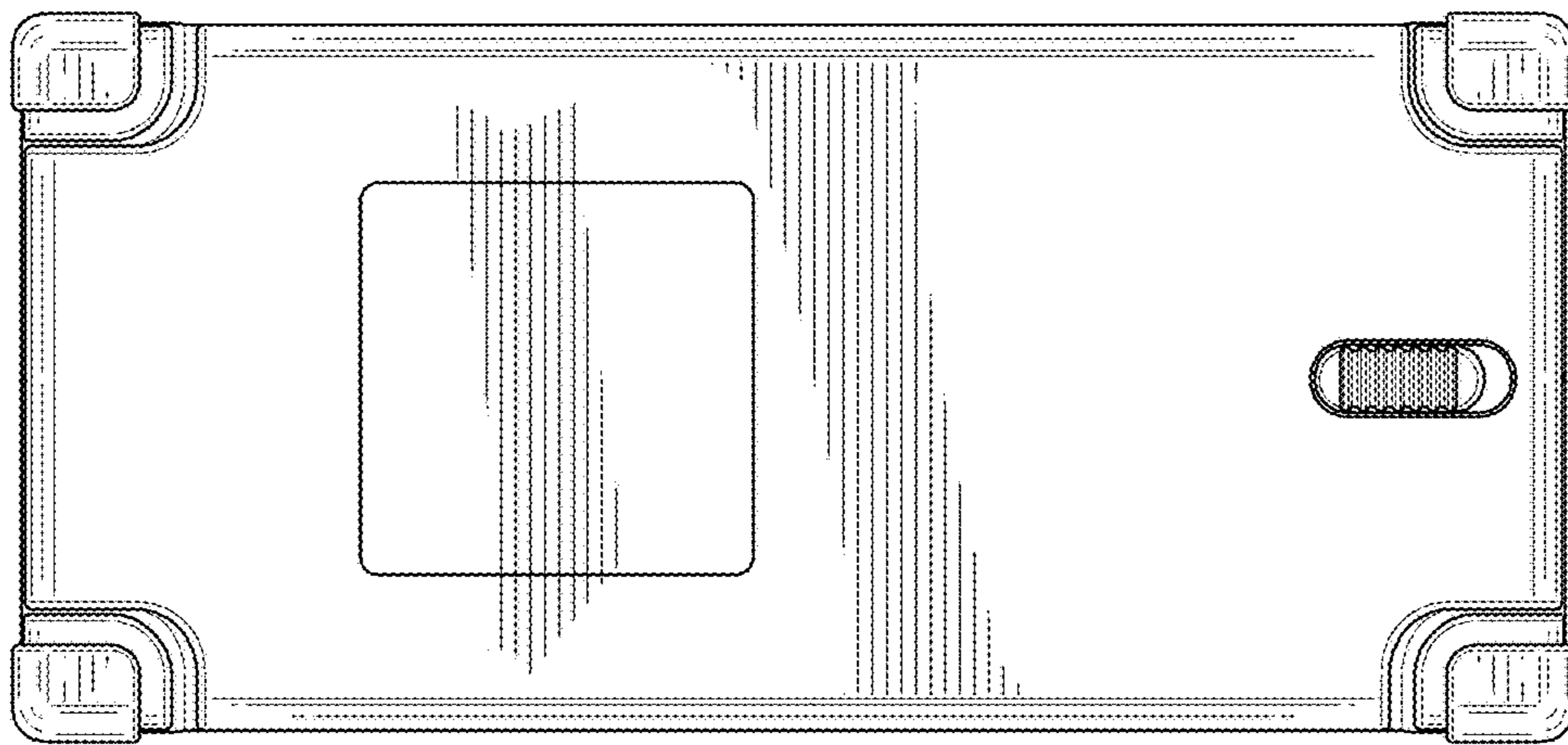


FIG. 6

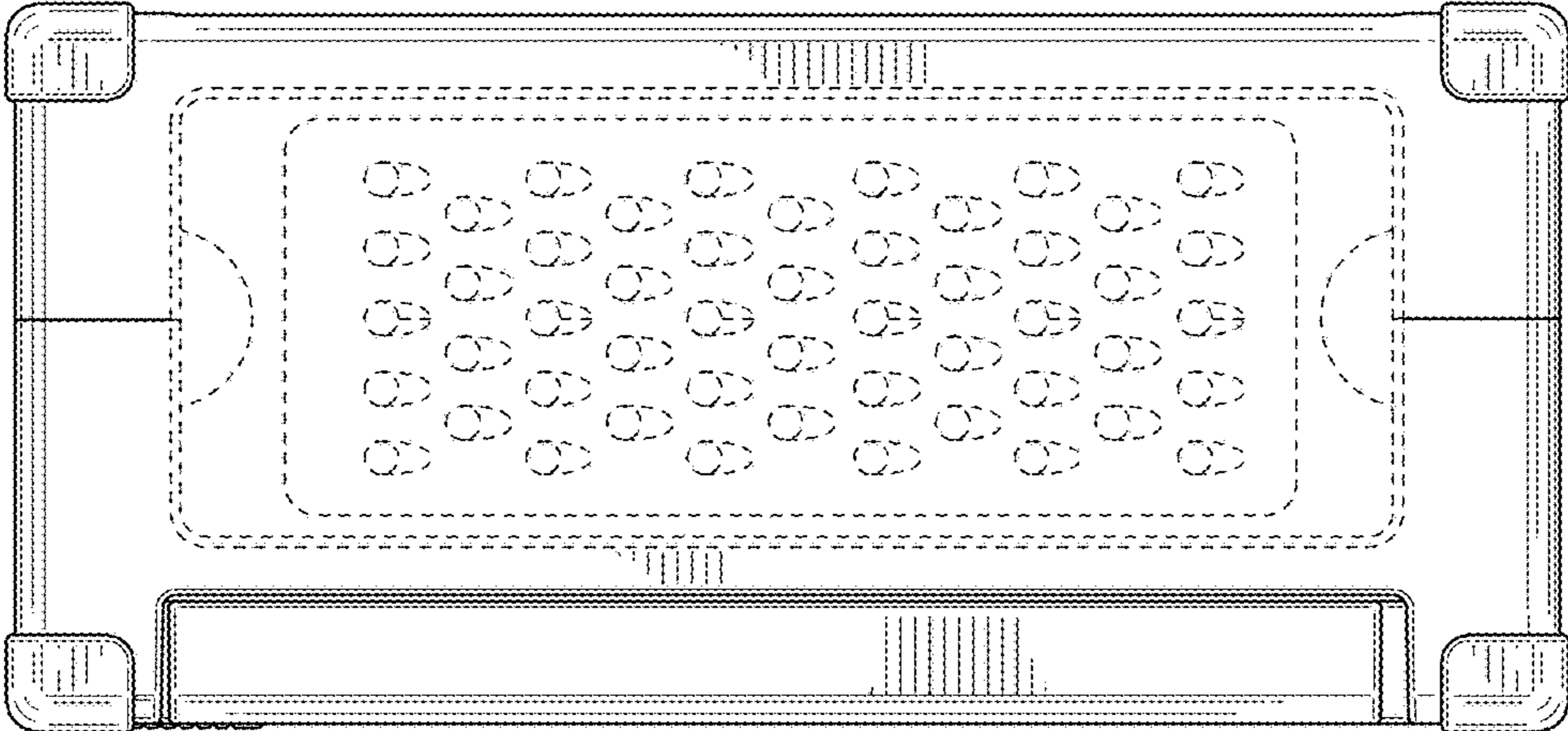


FIG. 7