



US00D823649S

(12) **United States Design Patent** (10) **Patent No.:** **US D823,649 S**
Bureau (45) **Date of Patent:** **** Jul. 24, 2018**

(54) **UTENSIL HOLDER**
 (71) Applicant: **Caroline Fournier Bureau, Quebec**
 (CA)
 (72) Inventor: **Caroline Fournier Bureau, Quebec**
 (CA)
 (**) Term: **15 Years**

D527,987 S 9/2006 Kelleghan
 D719,901 S * 12/2014 Krusinski D12/408
 D725,455 S * 3/2015 Carlini D8/303
 2009/0049949 A1 * 2/2009 Chen B62K 21/12
 74/551.1
 2009/0289511 A1 11/2009 Kim
 2011/0271950 A1 11/2011 Nilssen, III
 2013/0164421 A1 6/2013 Hill et al.

FOREIGN PATENT DOCUMENTS

(21) Appl. No.: **29/598,956**

WO WO0189343 11/2001
 WO WO2006020976 2/2006

(22) Filed: **Mar. 30, 2017**

* cited by examiner

(51) **LOC (11) Cl.** **07-07**

Primary Examiner — Derrick E Holland

(52) **U.S. Cl.**

Assistant Examiner — Janice Julia Patyk

USPC **D7/639**

(58) **Field of Classification Search**

(57) **CLAIM**

USPC D7/634, 637-639, 641; 30/298.4, 296.1;
 206/372, 373, 553; 211/70.7; 248/37.3,
 248/111; D9/672, 600

The ornamental design for a utensil holder, as shown and described.

CPC A47B 88/20; A47F 7/00; A47G 21/00;
 A47G 21/14; B26B 3/00

DESCRIPTION

See application file for complete search history.

FIG. 1 is a front isometric view of a utensil holder, showing my new design;
 FIG. 2 is a rear isometric view thereof;
 FIG. 3 is atop view thereof;
 FIG. 4 is a right side elevational view thereof, shown in enlarged scale;
 FIG. 5 is a left side elevational view thereof, shown in enlarged scale;
 FIG. 6 is a bottom view thereof;
 FIG. 7 is a front view thereof;
 FIG. 8 is a rear view thereof; and,
 FIG. 9 is a front isometric view thereof, shown in environmental use.

The broken lines in the figures illustrate environmental subject matter that form no part of the claimed design.

(56) **References Cited**

U.S. PATENT DOCUMENTS

2,572,797 A 10/1951 Zimmer
 3,115,107 A 12/1963 Glenn
 4,140,256 A 2/1979 King
 4,320,700 A * 3/1982 Stachowicz A47J 37/0786
 126/30
 5,064,157 A * 11/1991 O'Neal B62K 21/12
 248/230.1
 D354,841 S 1/1995 Bussell
 D393,438 S * 4/1998 Cartwright D12/178
 D397,587 S * 9/1998 Hollinger D7/631
 D436,004 S 1/2001 Wagner
 D454,753 S 3/2002 Pai
 6,363,812 B1 * 4/2002 Yamamura B62J 27/00
 180/319

1 Claim, 9 Drawing Sheets

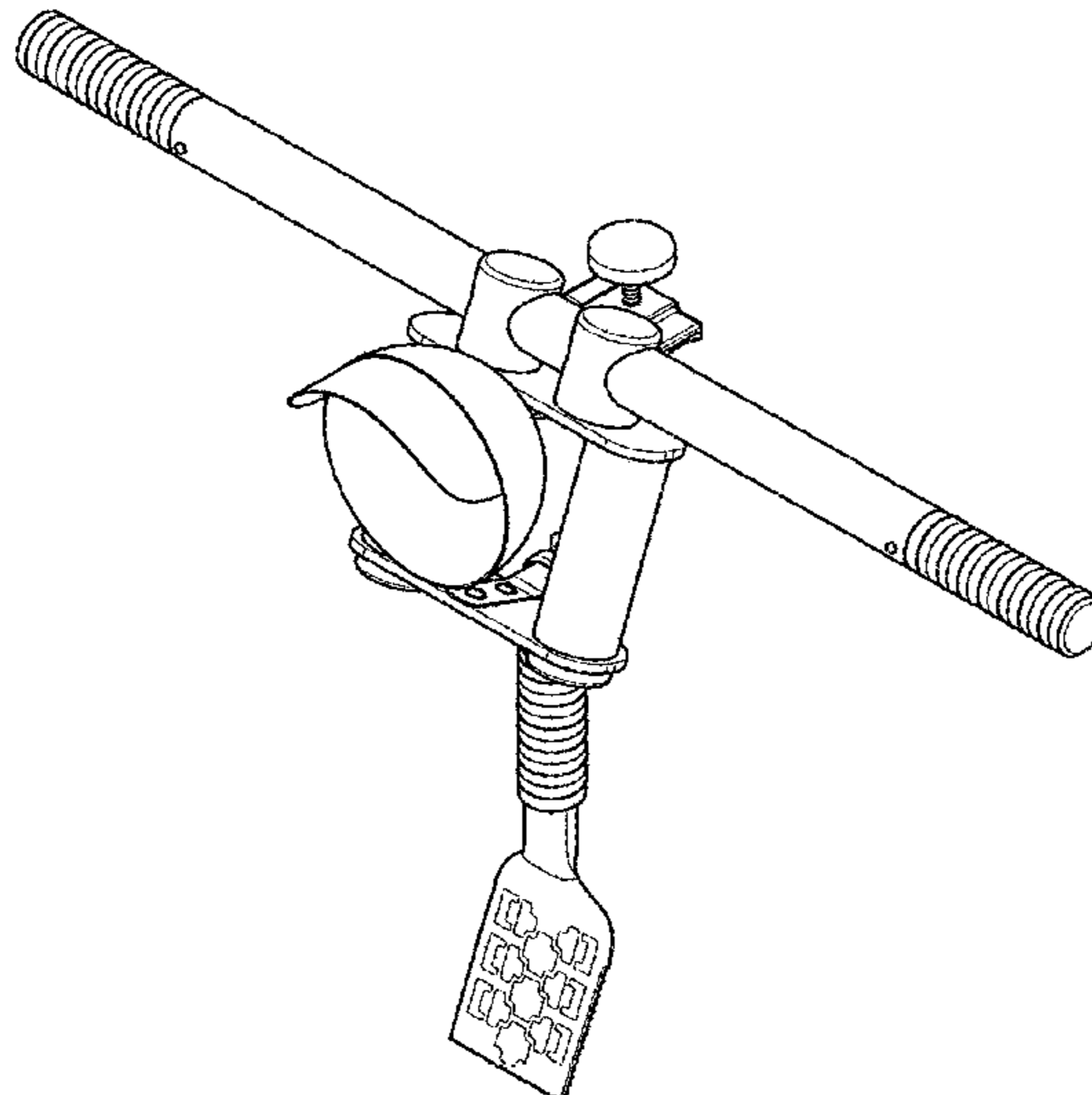


FIG. 1

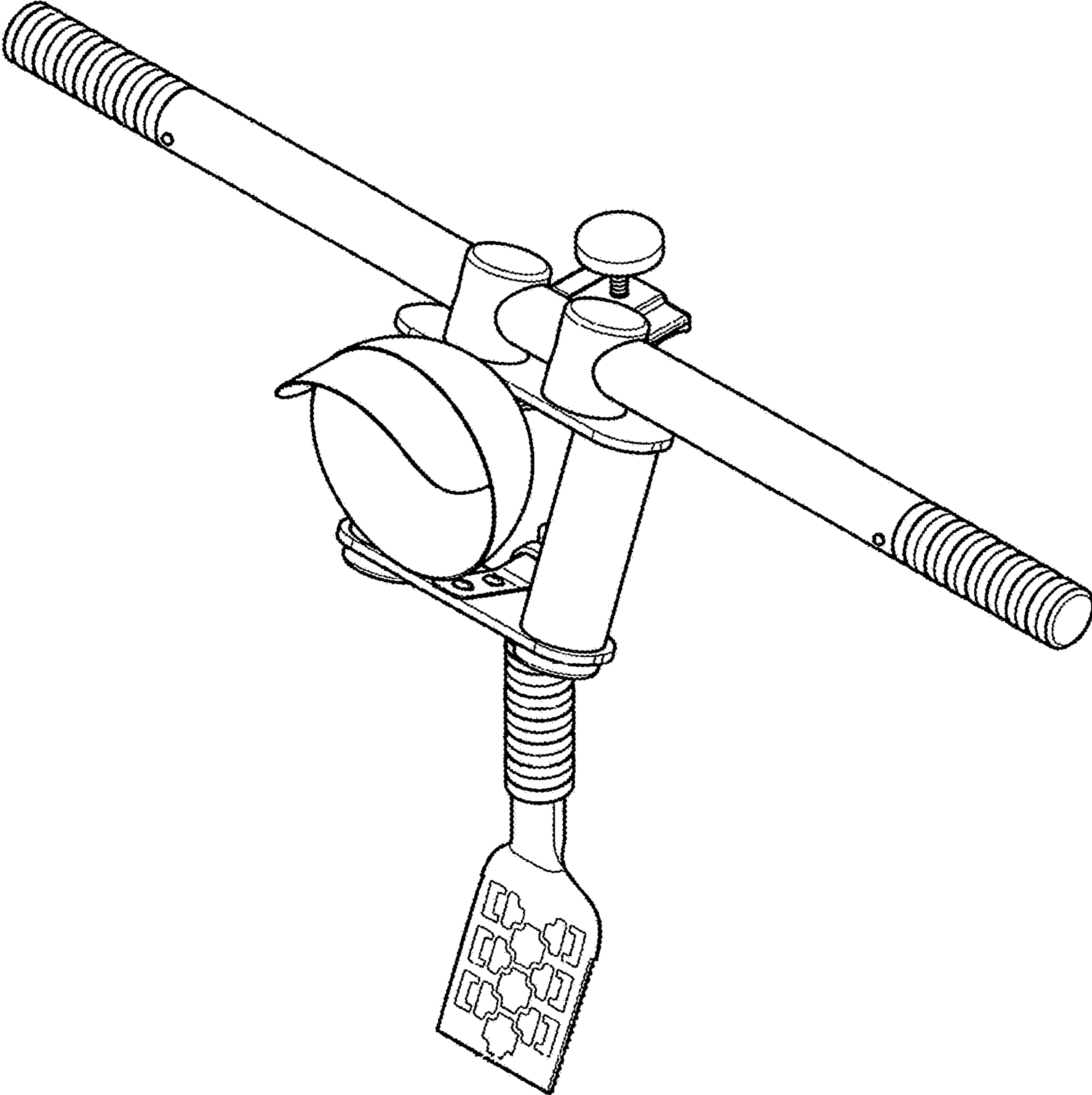


FIG. 2

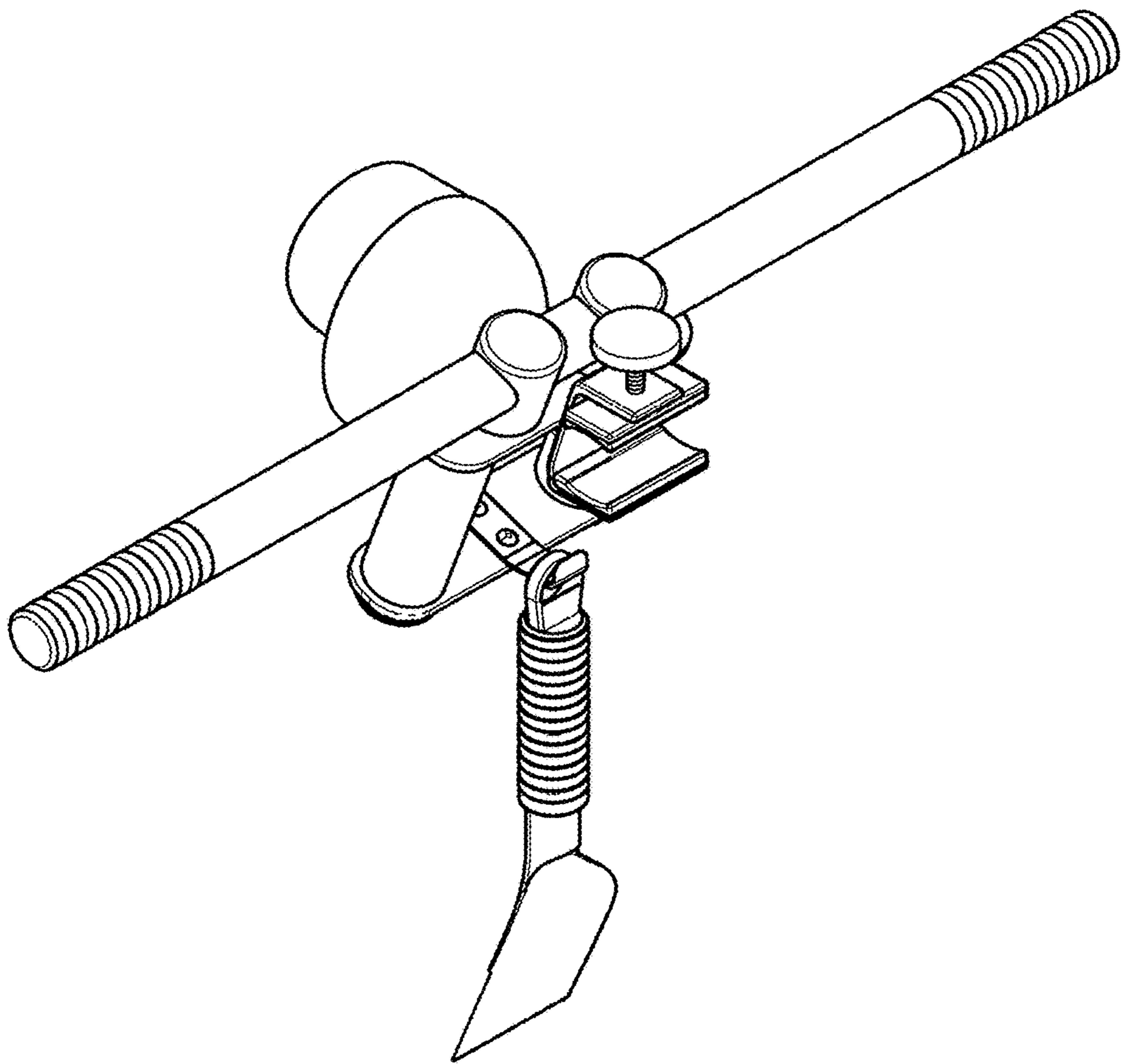
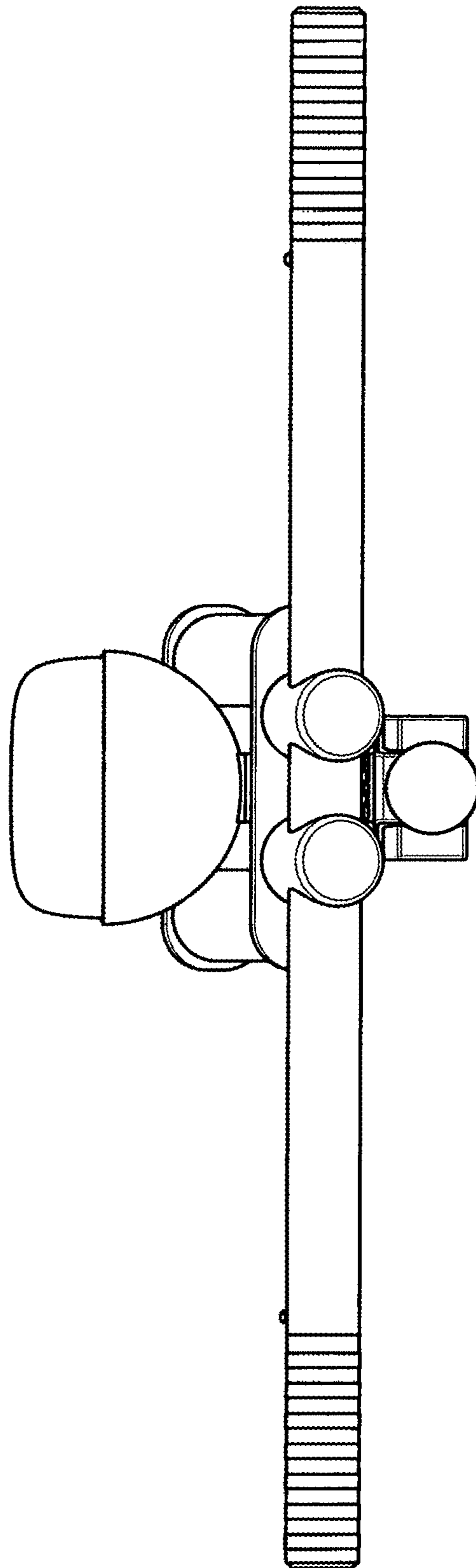


FIG. 3



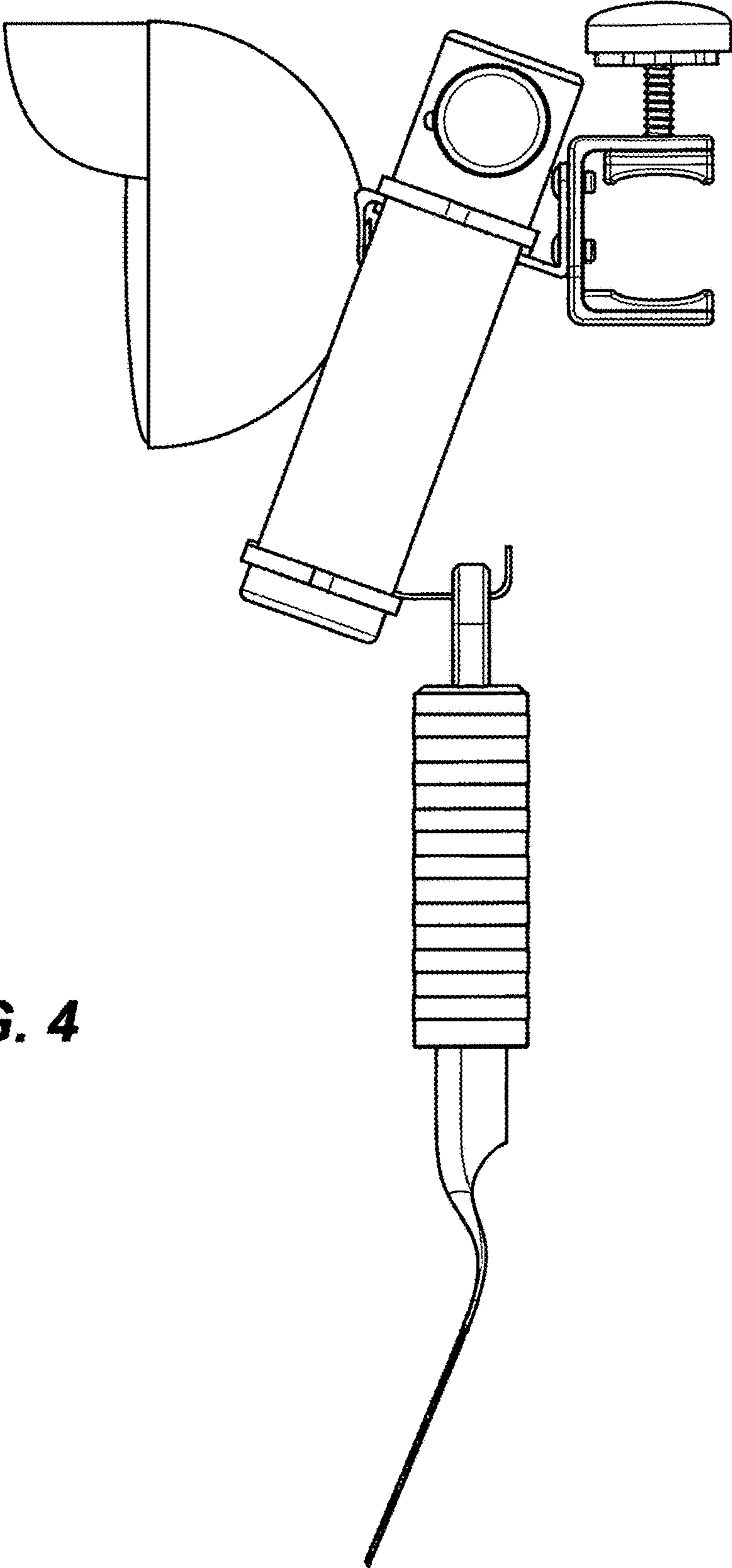


FIG. 4

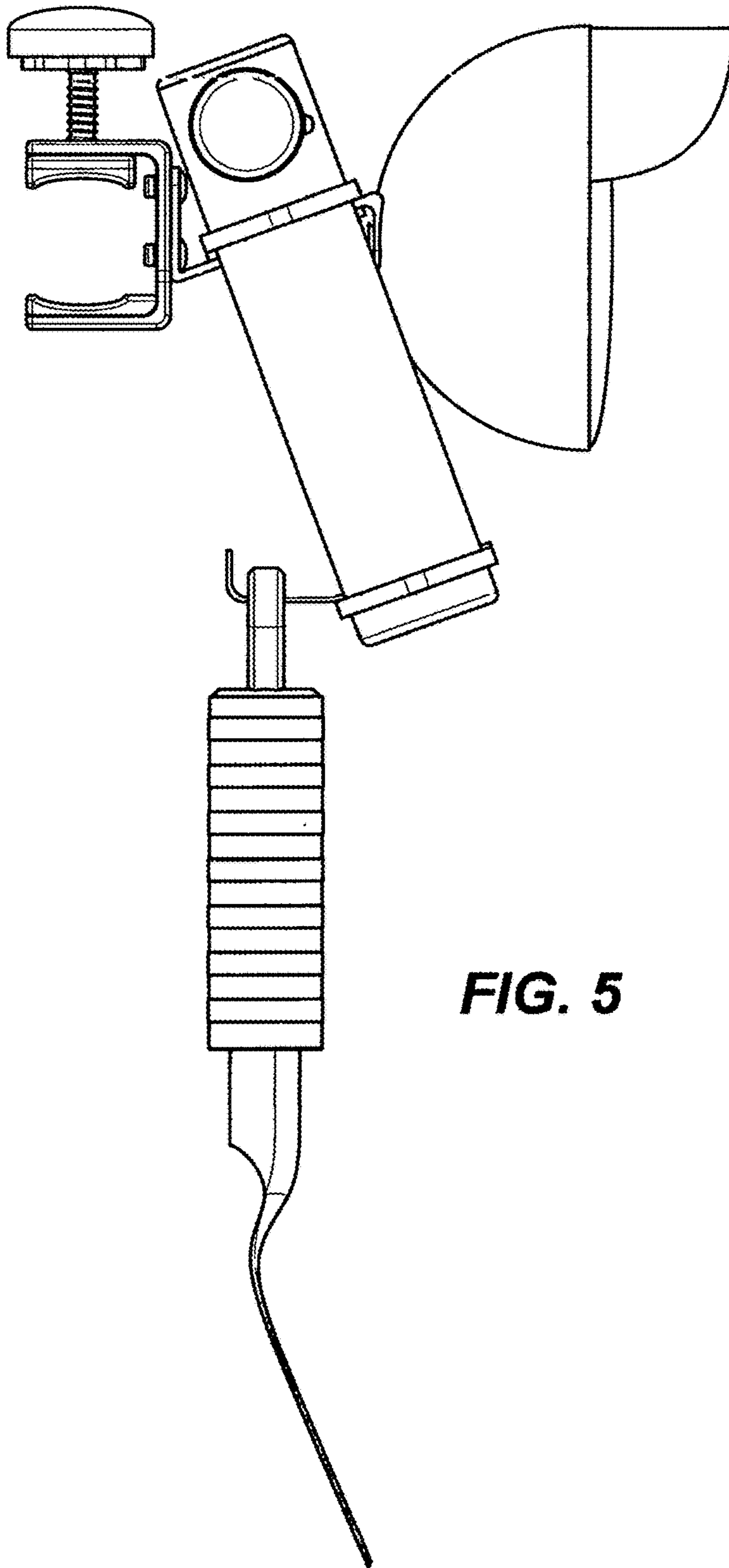


FIG. 5

FIG. 6

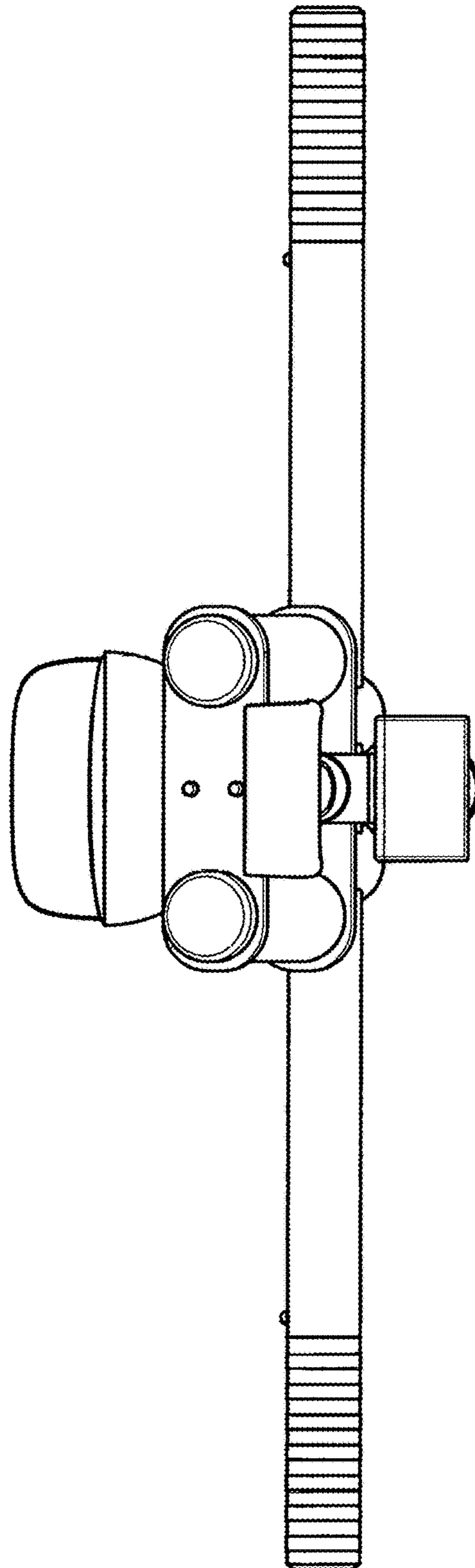


FIG. 7

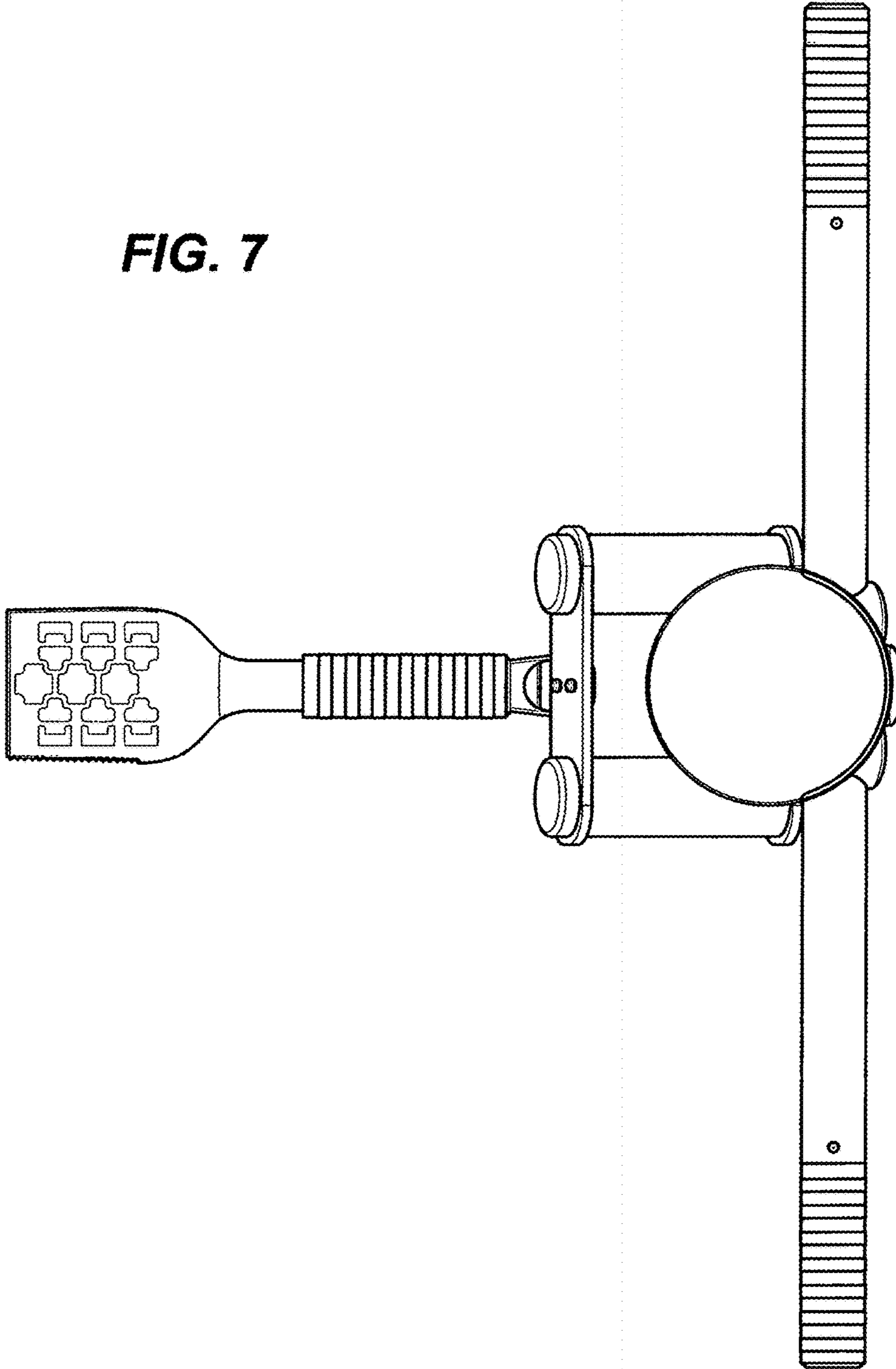


FIG. 8

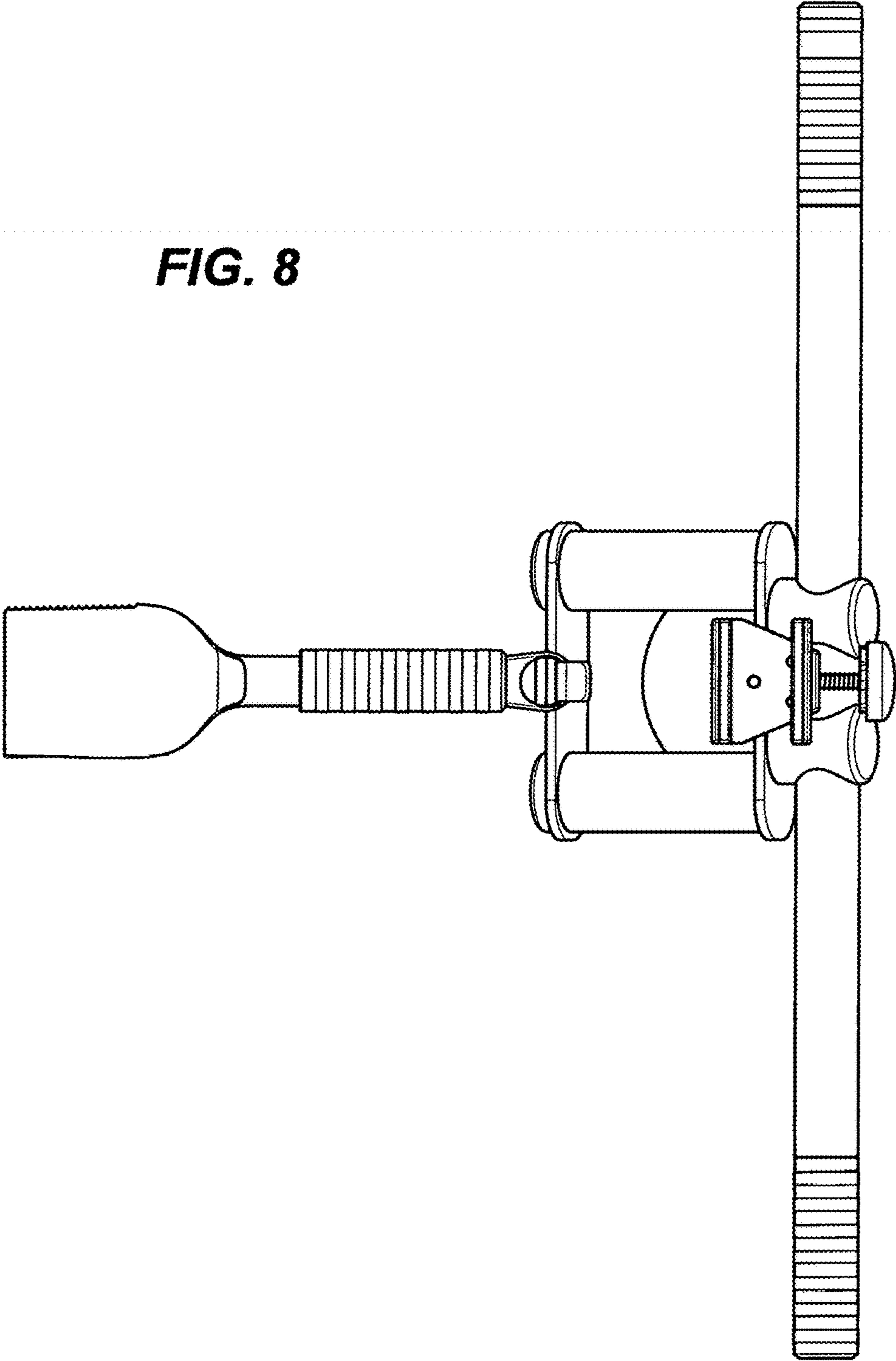


FIG. 9

