



US00D823648S

(12) **United States Design Patent**
Goodman et al.

(10) **Patent No.:** **US D823,648 S**
(45) **Date of Patent:** **** Jul. 24, 2018**

- (54) **NAPKIN HOLDER**
- (71) Applicant: **Spectrum Diversified Designs, LLC**,
Streetsboro, OH (US)
- (72) Inventors: **Aaron Goodman**, Beachwood, OH
(US); **Courtney Wilson**, Chardon, OH
(US)
- (73) Assignee: **SPECTRUM DIVERSIFIED
DESIGNS, LLC**, Streetsboro, OH (US)
- (**) Term: **15 Years**
- (21) Appl. No.: **29/590,678**
- (22) Filed: **Jan. 12, 2017**
- (51) **LOC (11) Cl.** **07-06**
- (52) **U.S. Cl.**
USPC **D7/631**
- (58) **Field of Classification Search**
USPC D3/306; D6/566-574; D7/631,
D7/637-641; D19/75, 81-86, 90, 92;
211/41.4, 70.7, 85.31, 90.03, 106, 126.8,
211/126.9, 133.2, 133.5; 220/485-488,
220/491; 248/37.3, 37.6, 153, 175
CPC .. A47F 7/00; A47F 7/14; A47G 21/00; A47G
21/16; G09F 1/14
See application file for complete search history.

| | | | |
|--------------|--------|-----------------|--------|
| D588,815 S * | 3/2009 | Ghiorghie | D3/304 |
| D697,376 S * | 1/2014 | Goodman | D7/631 |
| D728,255 S * | 5/2015 | Guindi | D6/513 |
| D764,171 S * | 8/2016 | Goodman | D3/306 |

OTHER PUBLICATIONS

InterDesign Gia Suction Kitchen Sink Caddy, announced Feb. 19, 2013, [online], site visited Nov. 9, 2017. Available from Internet, URL: <http://www.amazon.com> (Year: 2013).*

* cited by examiner

Primary Examiner — Derrick E Holland
Assistant Examiner — Janice Julia Patyk
(74) *Attorney, Agent, or Firm* — Tucker Ellis LLP;
Patrick F. Clunk

(57) **CLAIM**

The ornamental design for a napkin holder, as shown and described.

DESCRIPTION

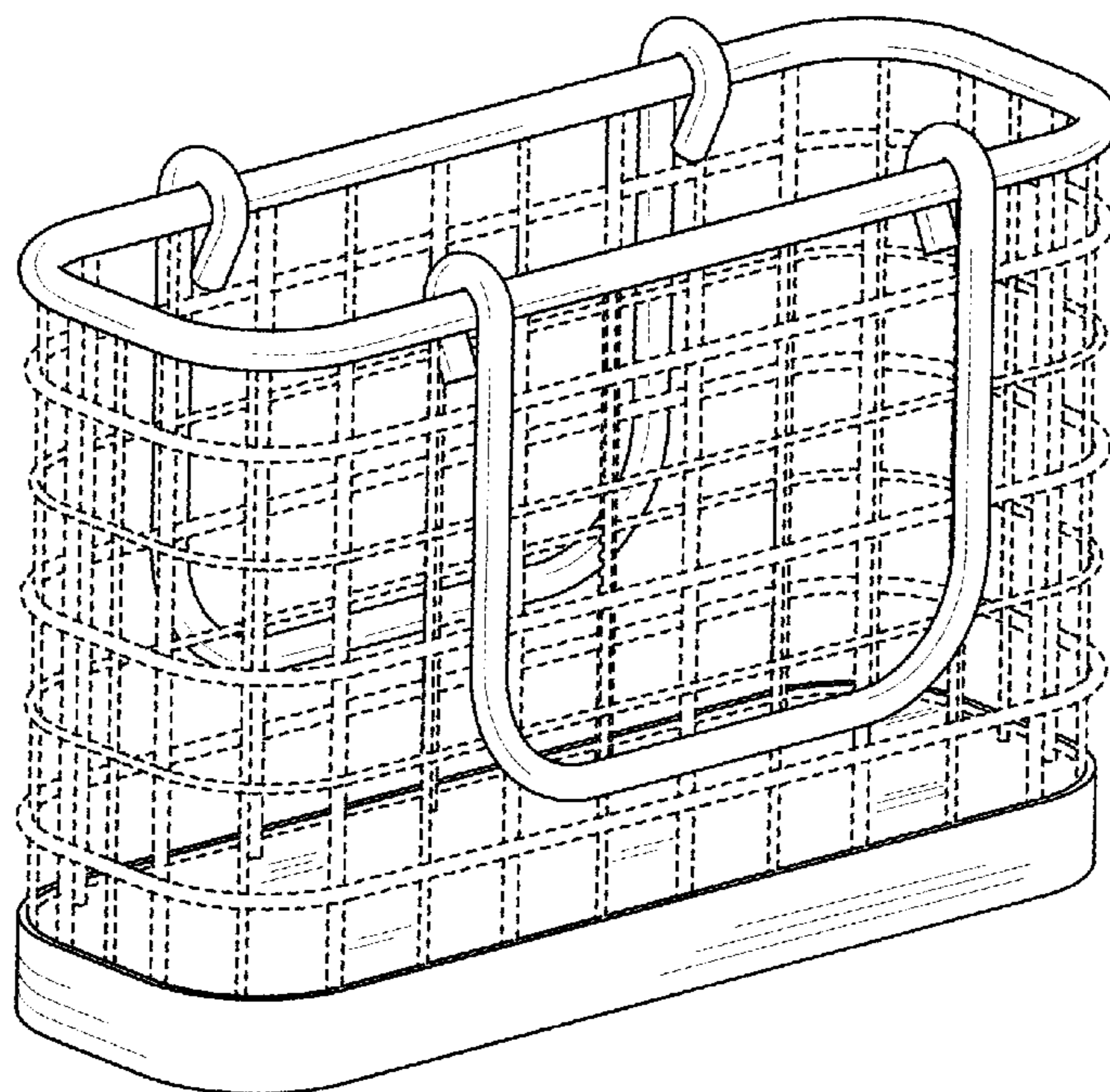
FIG. 1 is a perspective view of a napkin holder showing our new design.
FIG. 2 is a front view thereof, a rear view being the same thereof.
FIG. 3 is a right side view thereof, a left side view being the same thereof.
FIG. 4 is a top view thereof; and,
FIG. 5 is a bottom view thereof.
The broken lines in the figures illustrate the portions of the design that form no part of the claimed design.

1 Claim, 4 Drawing Sheets

(56) **References Cited**

U.S. PATENT DOCUMENTS

| | | | |
|--------------|---------|----------------|--------|
| D450,213 S * | 11/2001 | Snell | D6/566 |
| D554,419 S * | 11/2007 | Thompson | D6/566 |
| D563,708 S * | 3/2008 | Snell | D6/566 |



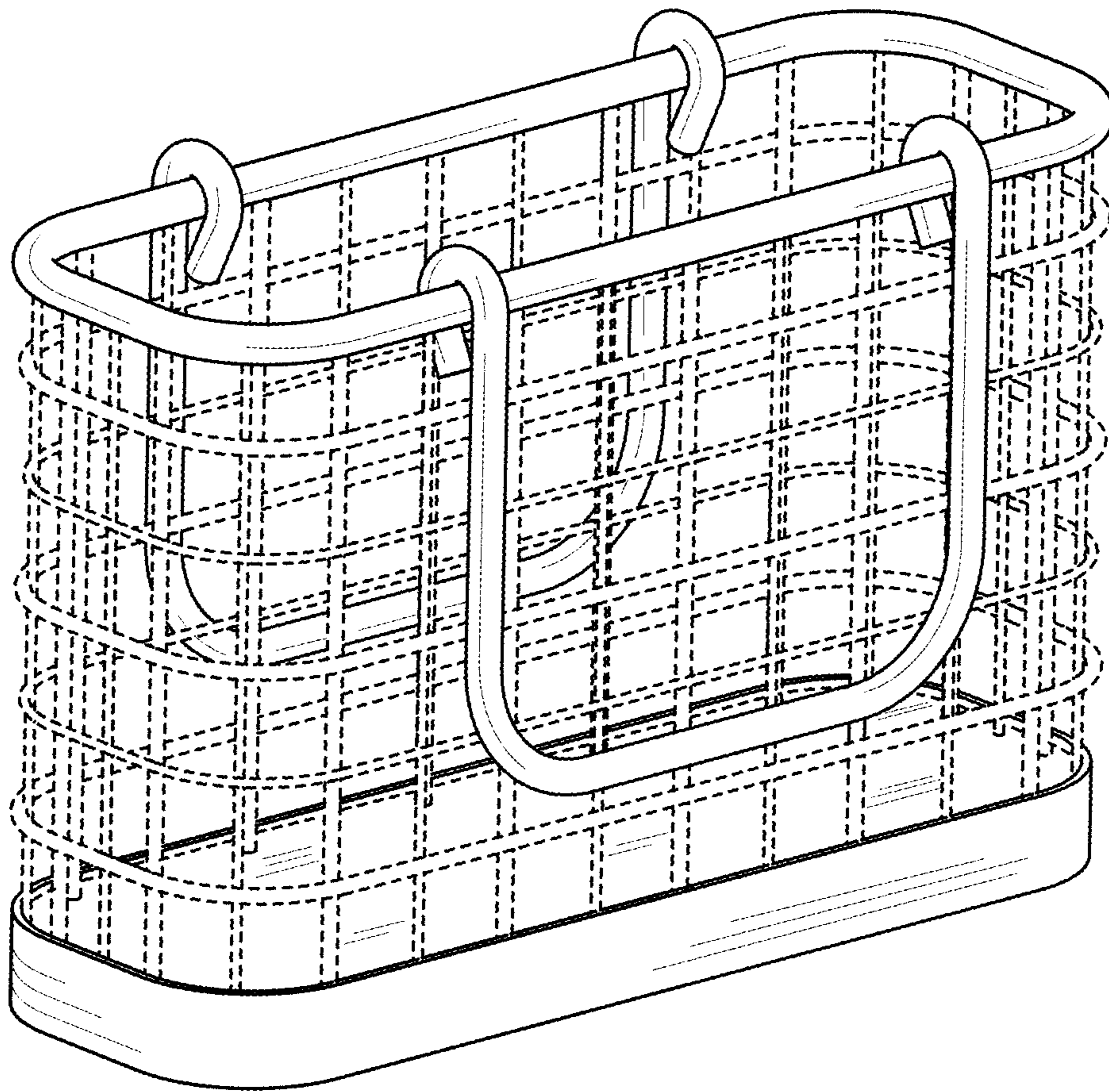


FIG. 1

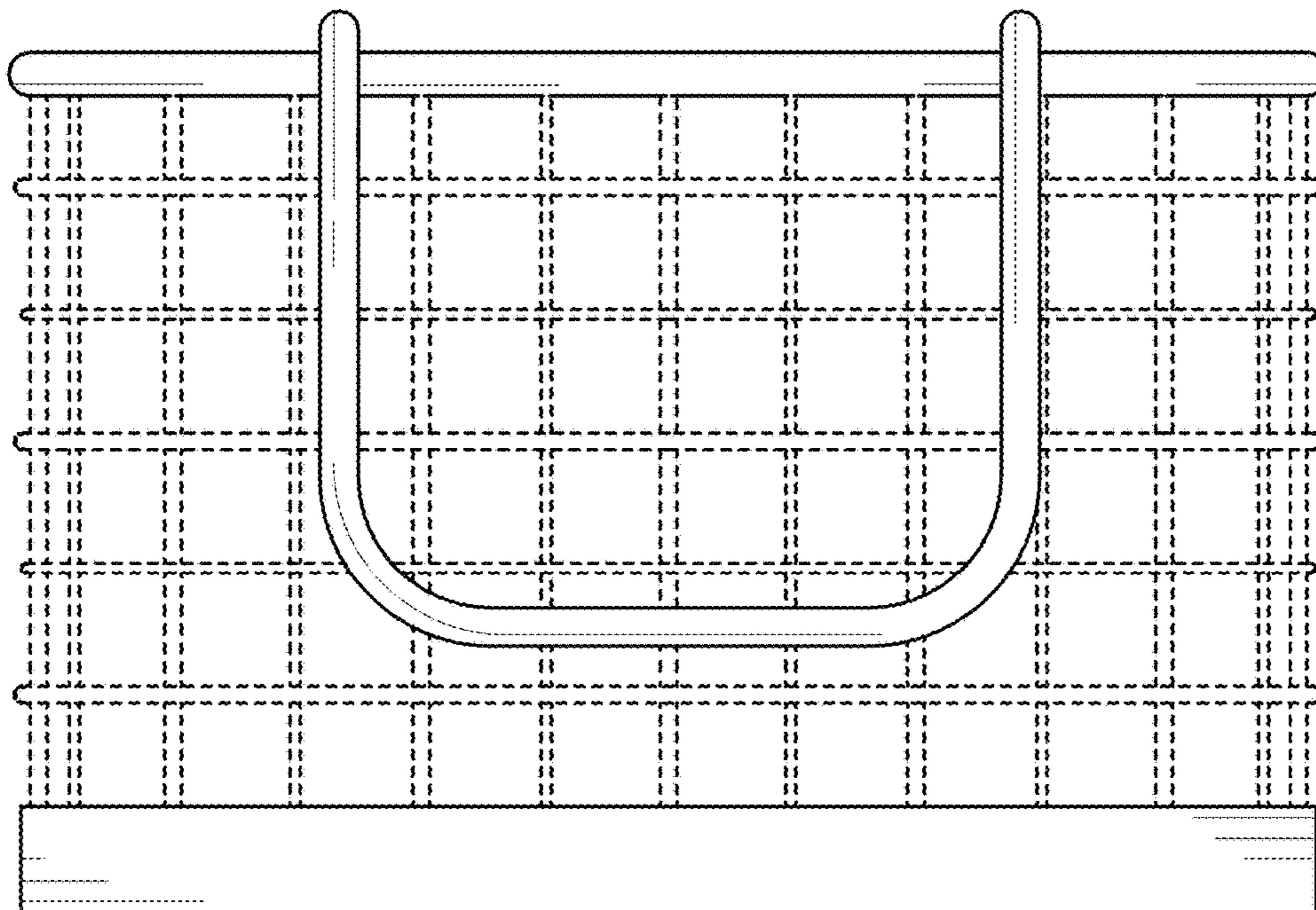


FIG. 2

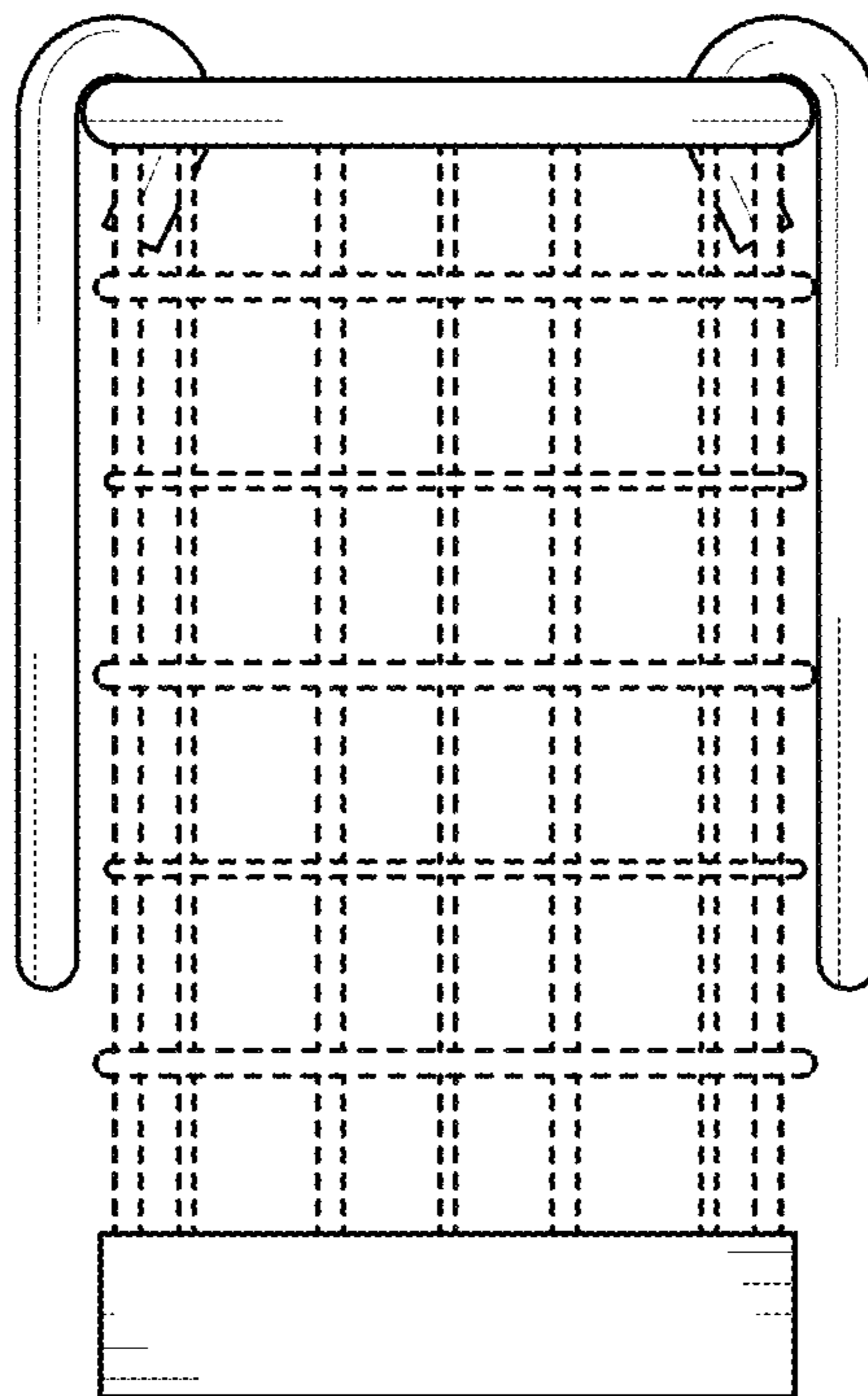


FIG. 3

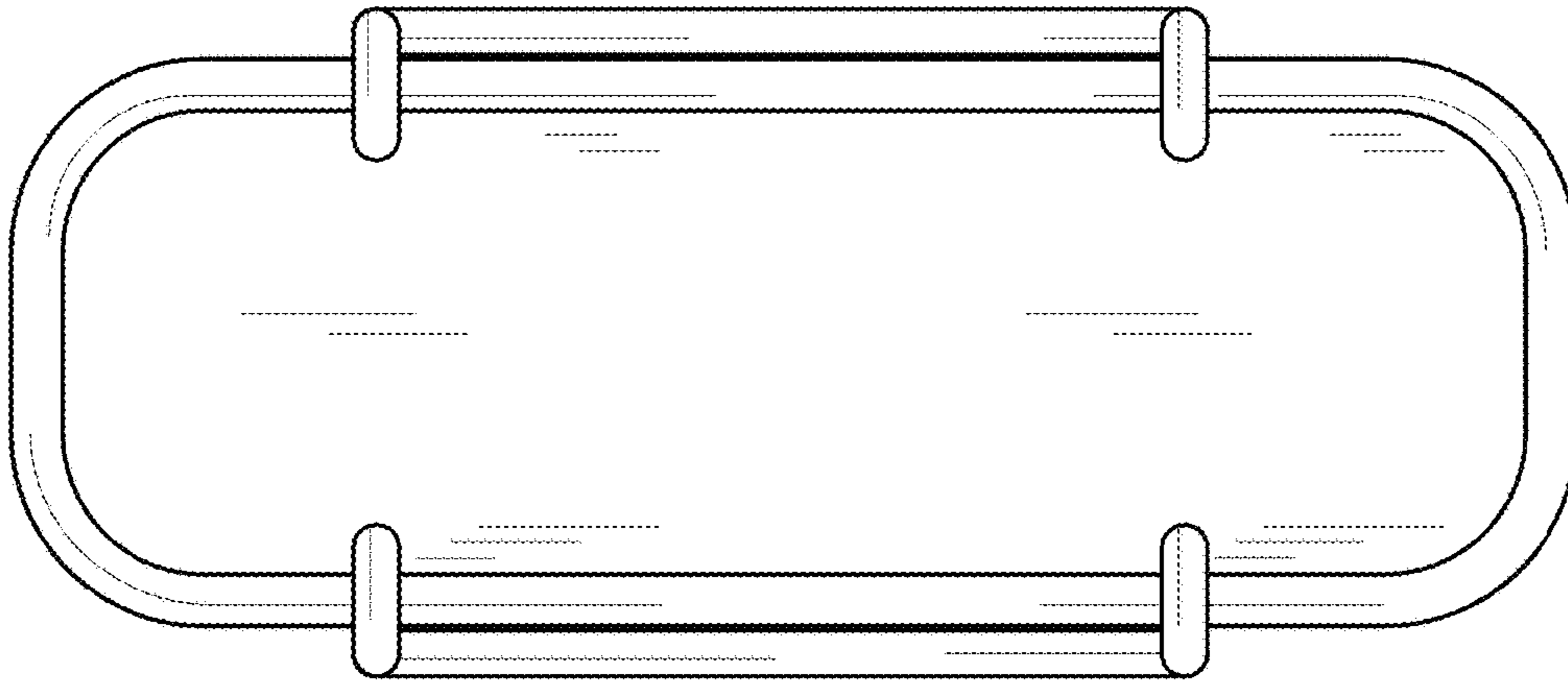


FIG. 4

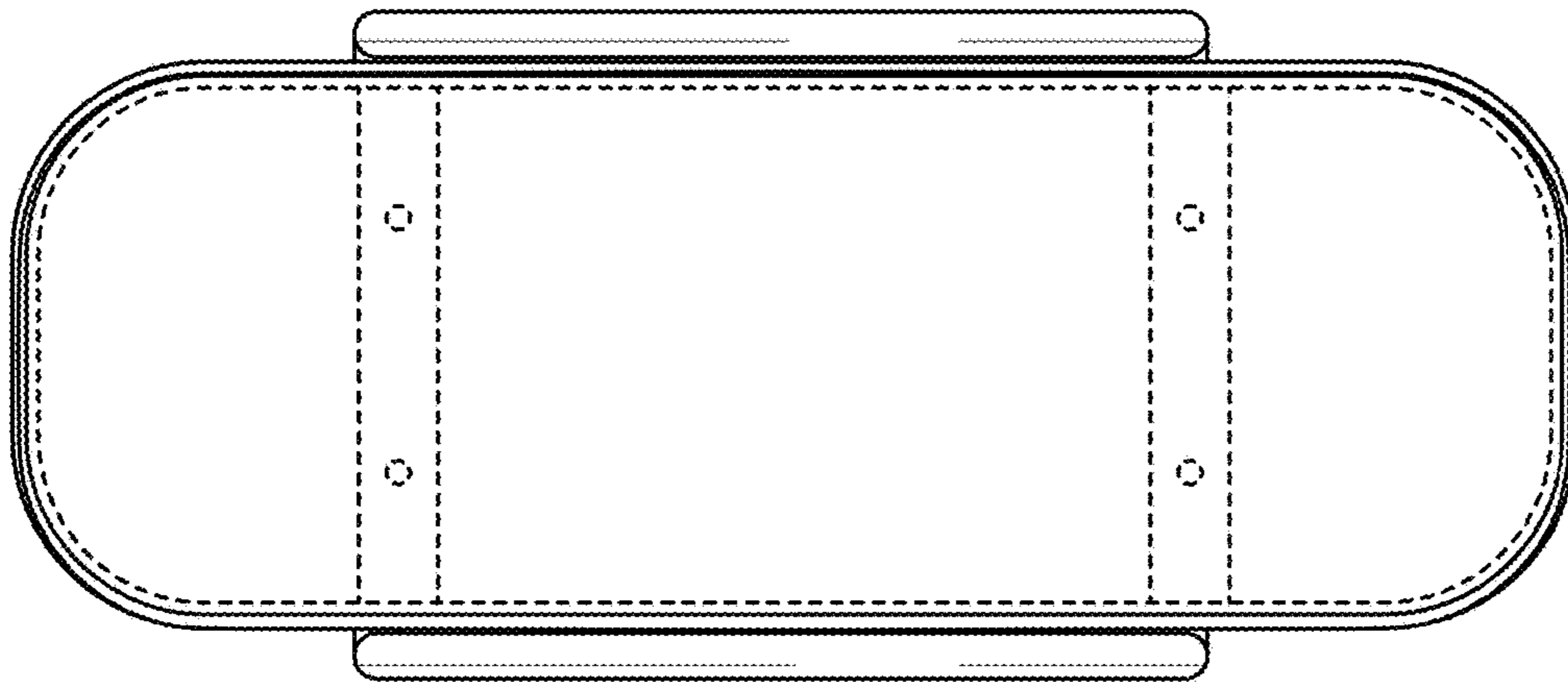


FIG. 5