



US00D823647S

(12) **United States Design Patent**
Curl, Jr.

(10) **Patent No.:** **US D823,647 S**
(45) **Date of Patent:** **** Jul. 24, 2018**

(54) **COASTER AND GLASS COMBINATION**

(71) Applicant: **James L Curl, Jr.**, Berkeley, CA (US)

(72) Inventor: **James L Curl, Jr.**, Berkeley, CA (US)

(**) Term: **15 Years**

(21) Appl. No.: **29/593,151**

(22) Filed: **Feb. 6, 2017**

(51) **LOC (11) Cl.** **09-03**

(52) **U.S. Cl.**
USPC **D7/624.1**

(58) **Field of Classification Search**
USPC D7/387, 388, 396.1, 396.2, 507, 509,
D7/523, 532, 619.1-625; D26/9;
D11/143, 144
CPC A47G 19/22; A47G 19/02; B65D 41/62;
B65D 41/56
See application file for complete search history.

4,801,782 A * 1/1989 Ineson A47J 36/2466
219/438
D358,071 S * 5/1995 Gill D7/605
D376,284 S * 12/1996 Keeley D6/520
D426,463 S * 6/2000 Landis, II D9/428
D528,372 S 9/2006 Garrard et al.
D538,603 S 3/2007 Garrard et al.
D563,733 S * 3/2008 Wang D7/603
D578,827 S 10/2008 Barducci
D624,790 S 10/2010 Wray et al.
8,544,810 B2 10/2013 Watkins et al.
D755,447 S * 5/2016 Andrews D30/129
D770,239 S * 11/2016 Lonner D7/629

(Continued)

Primary Examiner — Karen S Acker
Assistant Examiner — Omeed Agilee
(74) *Attorney, Agent, or Firm* — Adams Law Office;
Sharon Adams

(57) **CLAIM**

The ornamental design for a coaster and glass combination,
as shown and described.

(56) **References Cited**

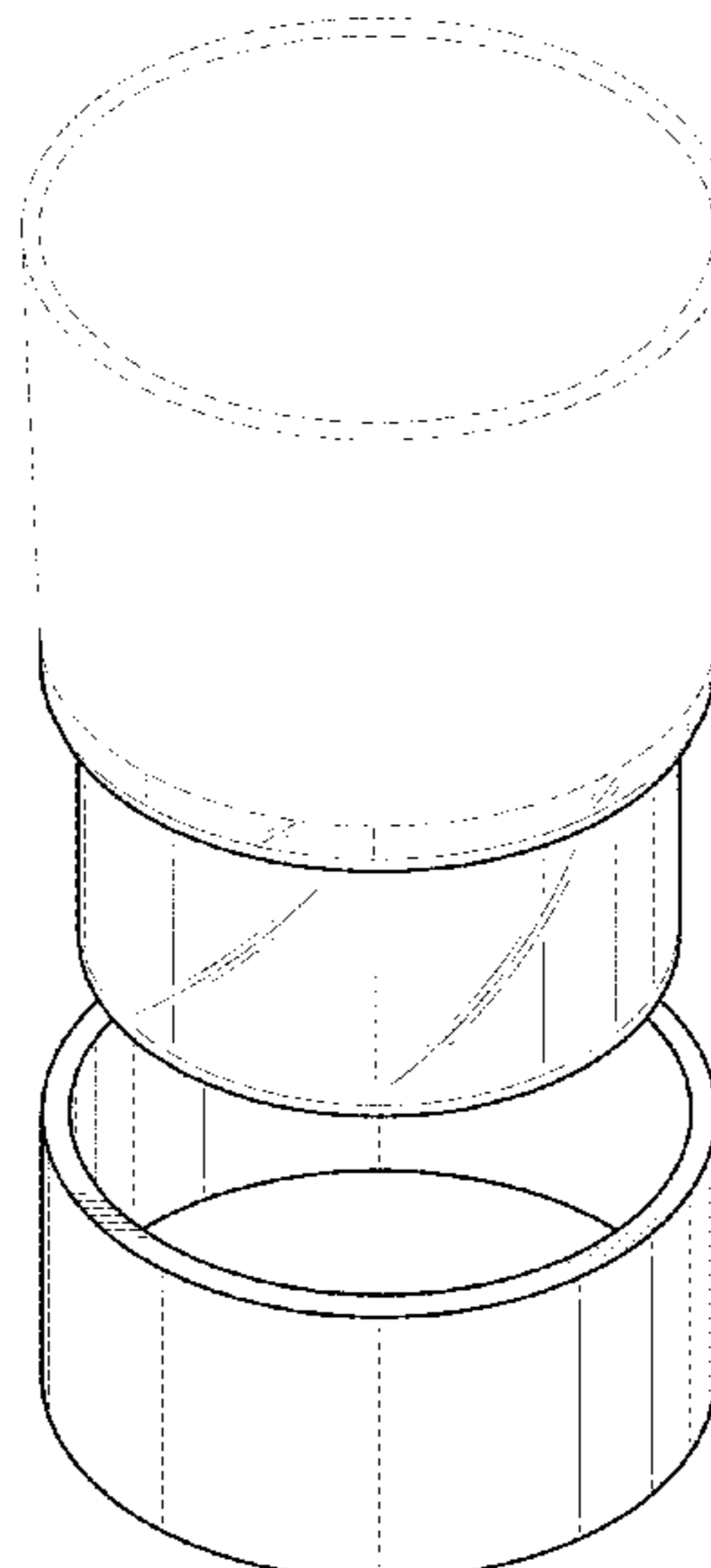
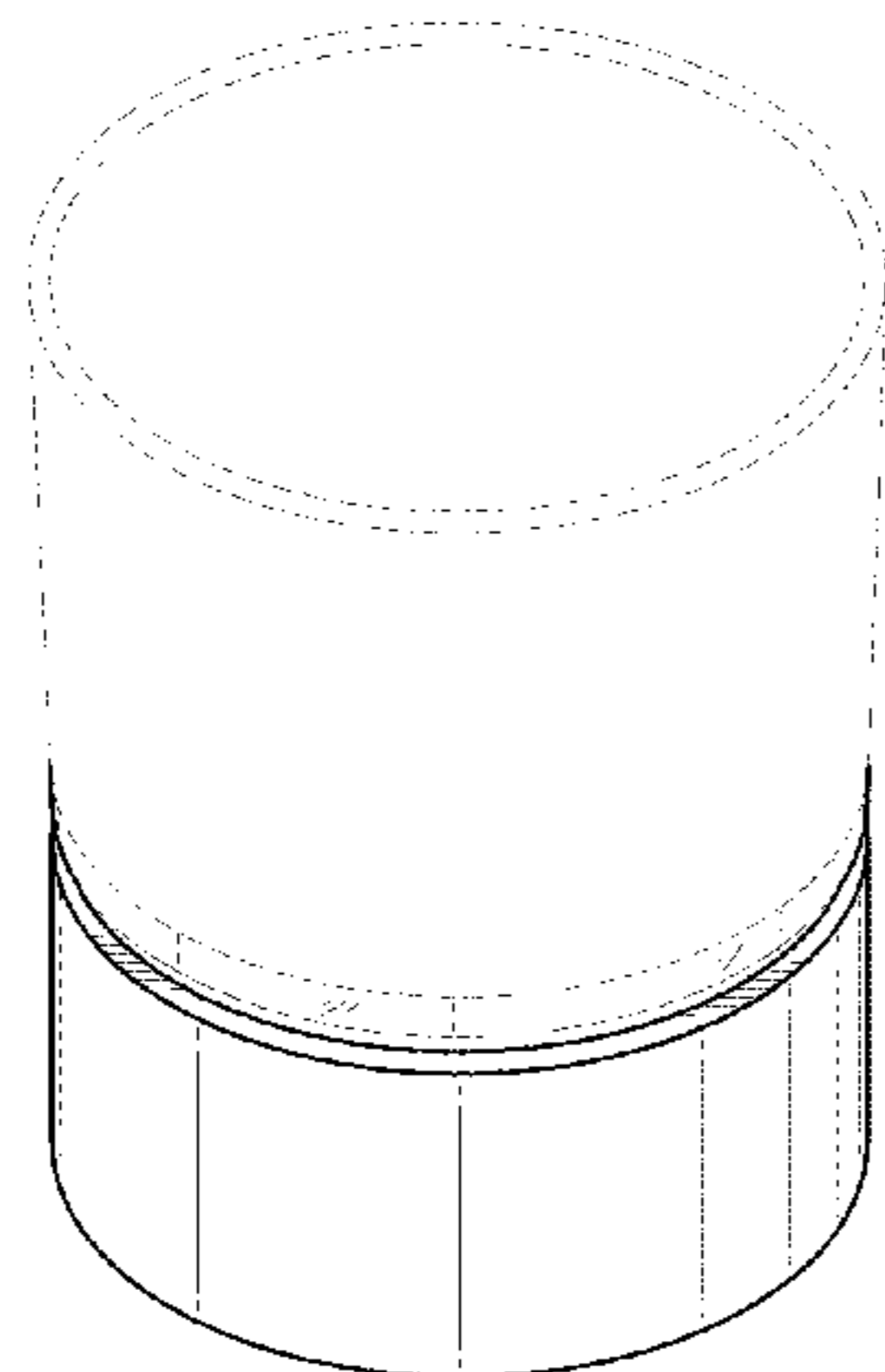
U.S. PATENT DOCUMENTS

2,014,268 A 3/1933 Tenney
2,113,888 A 11/1937 Kaparin
2,276,678 A * 3/1942 Wheeler B65D 51/28
206/216
D156,562 S 4/1948 Robinson
2,641,911 A 11/1951 Raymond et al.
2,779,495 A * 1/1957 Davis A47G 23/03
215/394
2,782,948 A * 2/1957 Steinberg A47G 23/03
215/393
2,832,493 A 4/1958 Murphy
3,013,689 A 8/1959 Shropshire
3,028,702 A * 4/1962 St Cyr A47G 23/0216
215/395
4,040,549 A * 8/1977 Sadler B60N 3/103
215/376
4,305,533 A * 12/1981 Wightman A47G 19/2211
219/430

DESCRIPTION

FIG. 1 is a top perspective view of the coaster and glass combination.
FIG. 2 is a bottom perspective view thereof.
FIG. 3 is a side elevational view thereof, all the other side elevational views being identical to FIG. 3.
FIG. 4 is a top plan view thereof.
FIG. 5 is bottom plan view thereof.
FIG. 6 is a cross-sectional view thereof, taken along lines 6-6 in FIG. 3.
FIG. 7 is a top perspective exploded view thereof; and, FIG. 8 is a side elevational exploded view thereof, all the other side elevational views being identical to FIG. 8.
The broken lines in the drawings depict portions of the coaster and glass combination that form no part of the claimed design.

1 Claim, 7 Drawing Sheets



(56)

References Cited

U.S. PATENT DOCUMENTS

D789,156 S * 6/2017 Engler D7/624.2
D797,508 S * 9/2017 Gobrecht D11/143
D799,266 S * 10/2017 Schroedter D7/507
2017/0113836 A1* 4/2017 Labedzki B65D 21/083
2017/0280926 A1* 10/2017 Khalifa A47J 31/44

* cited by examiner

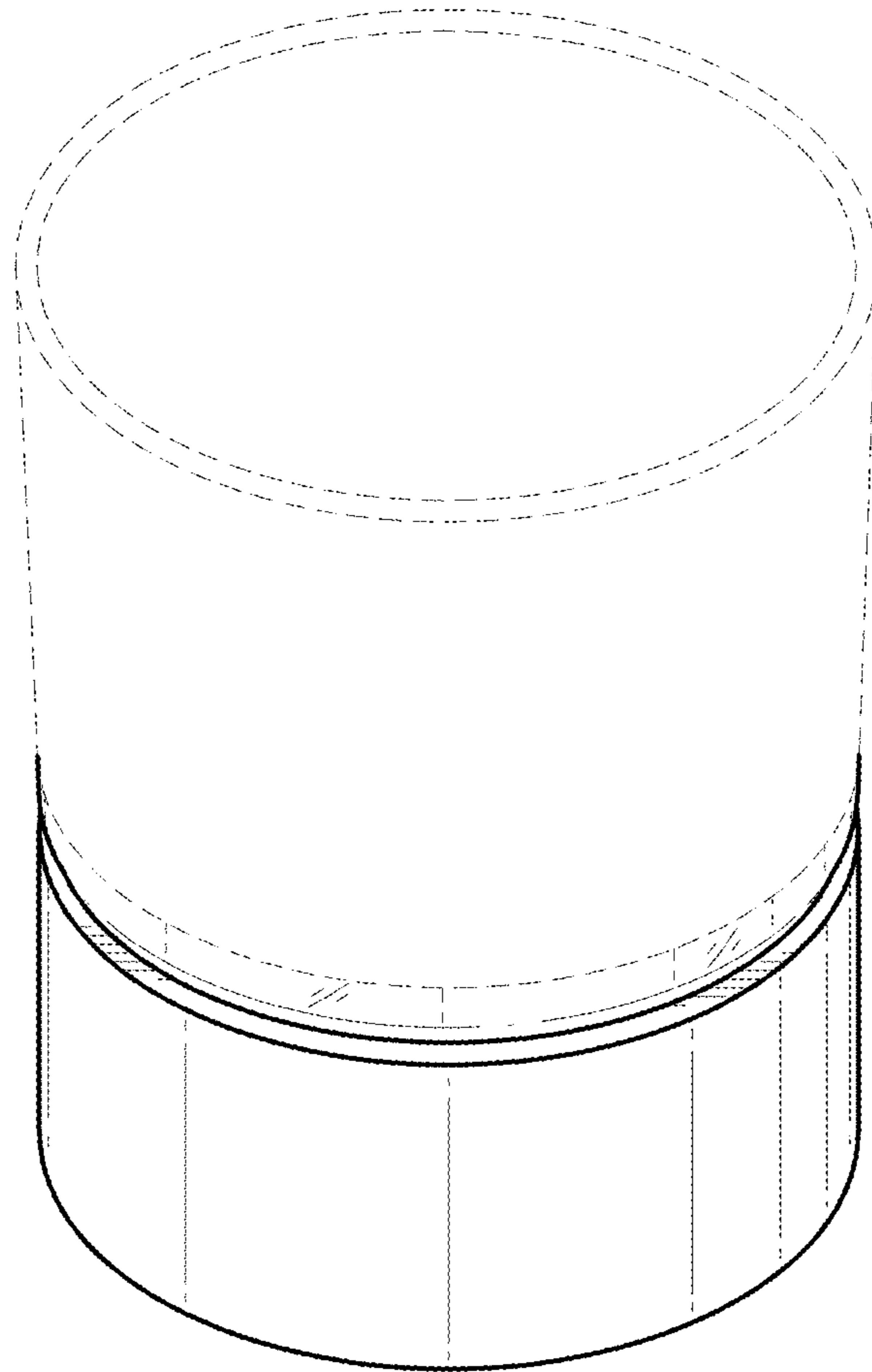


FIG. 1

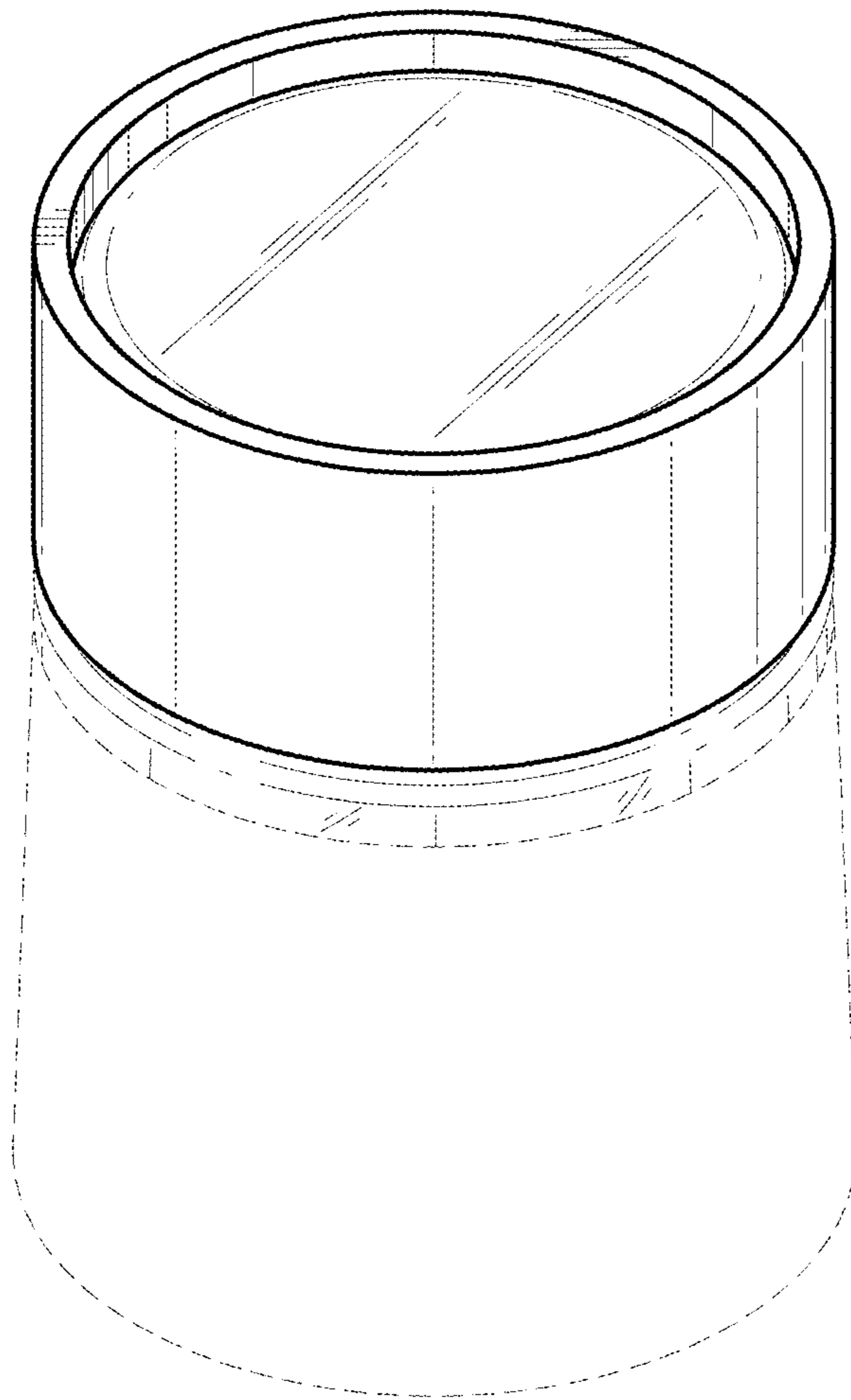


FIG. 2

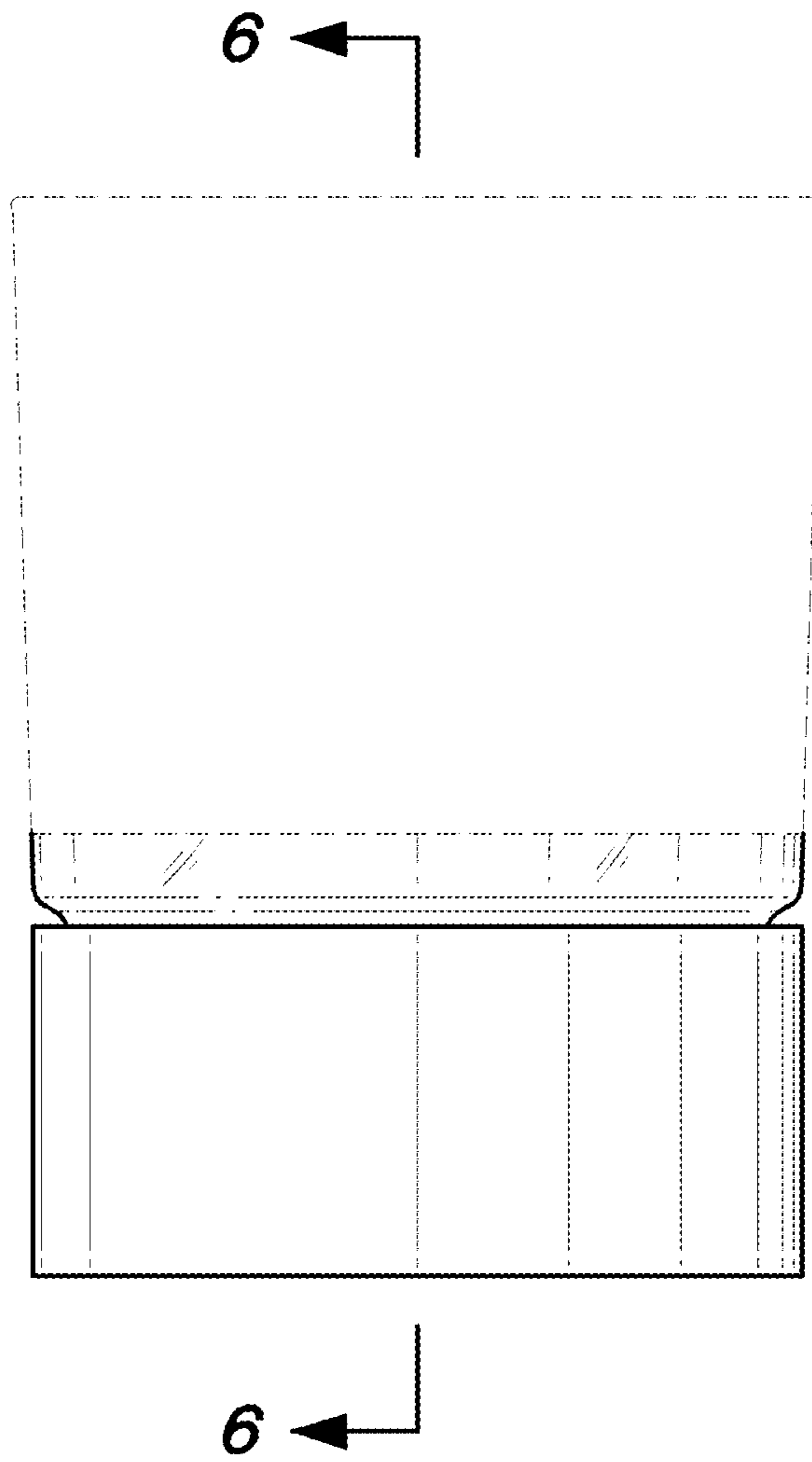


FIG. 3

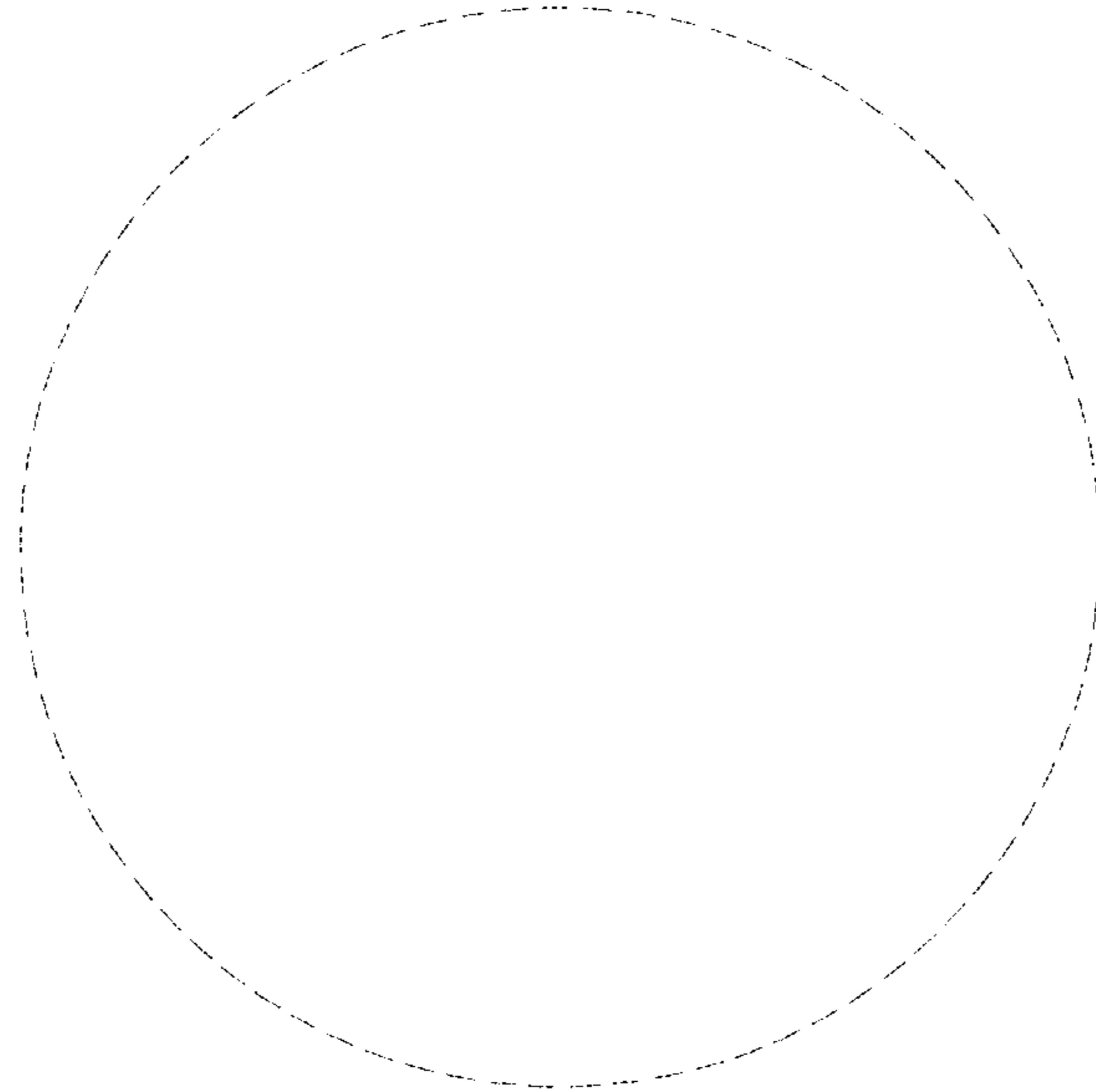


FIG. 4

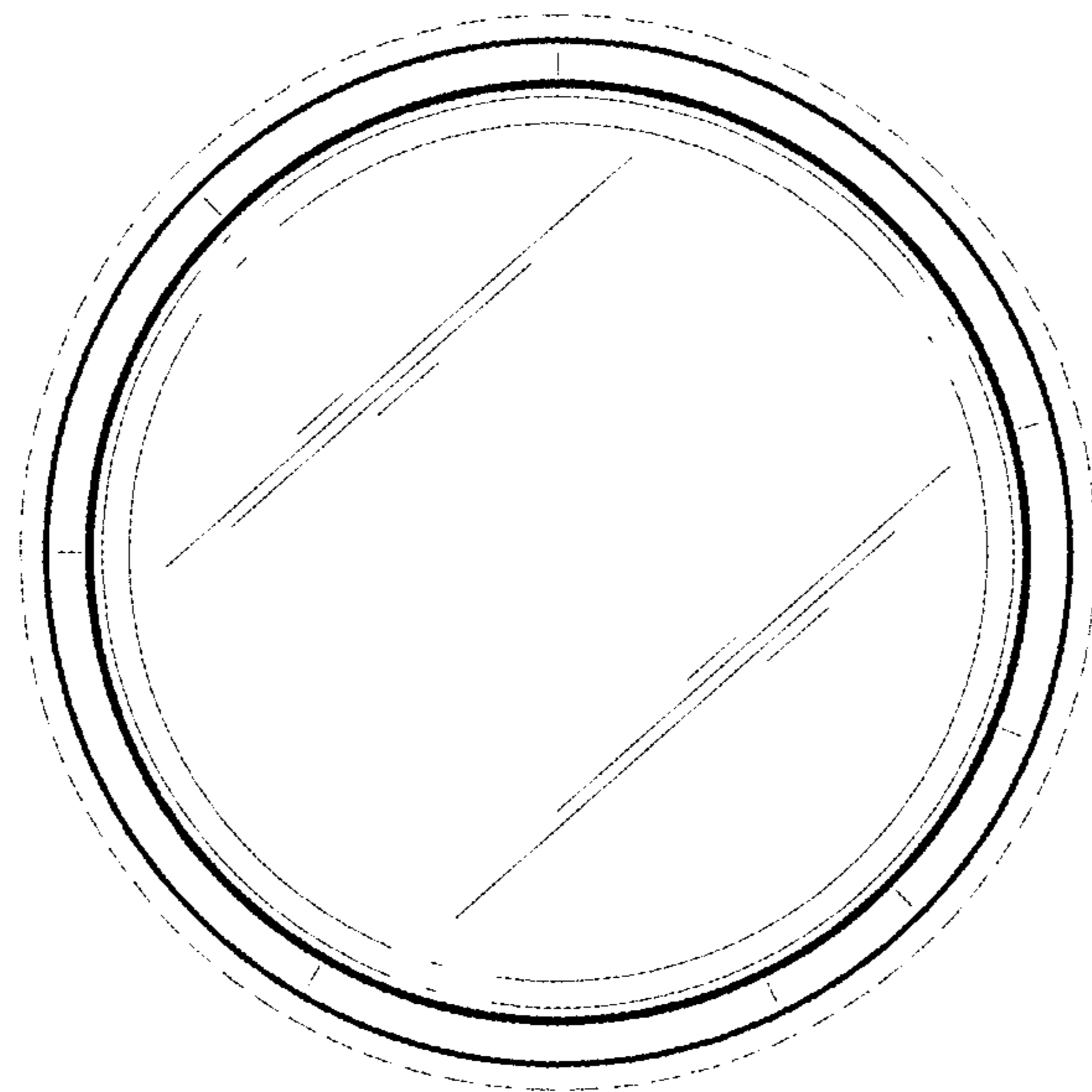


FIG. 5

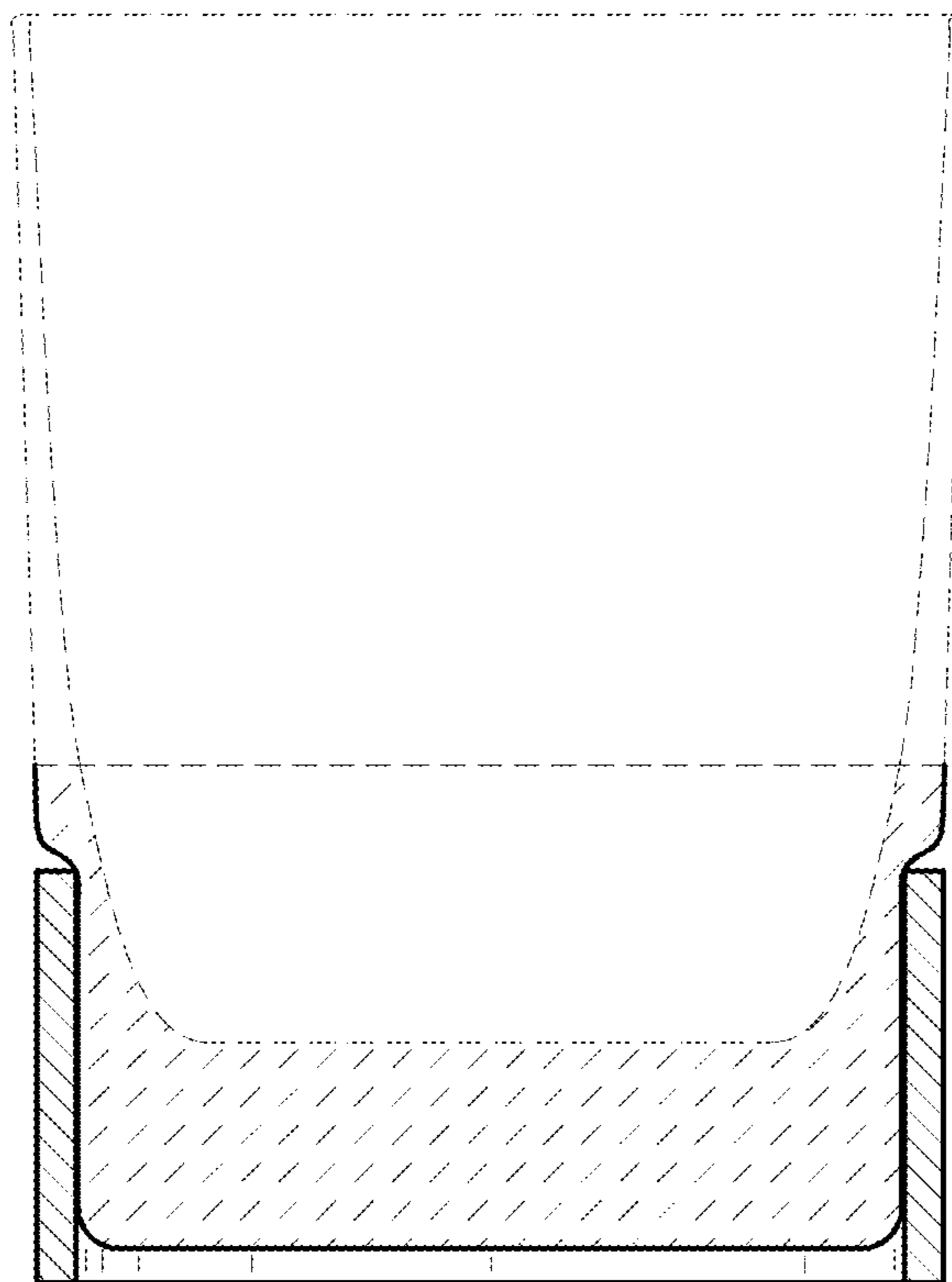


FIG. 6

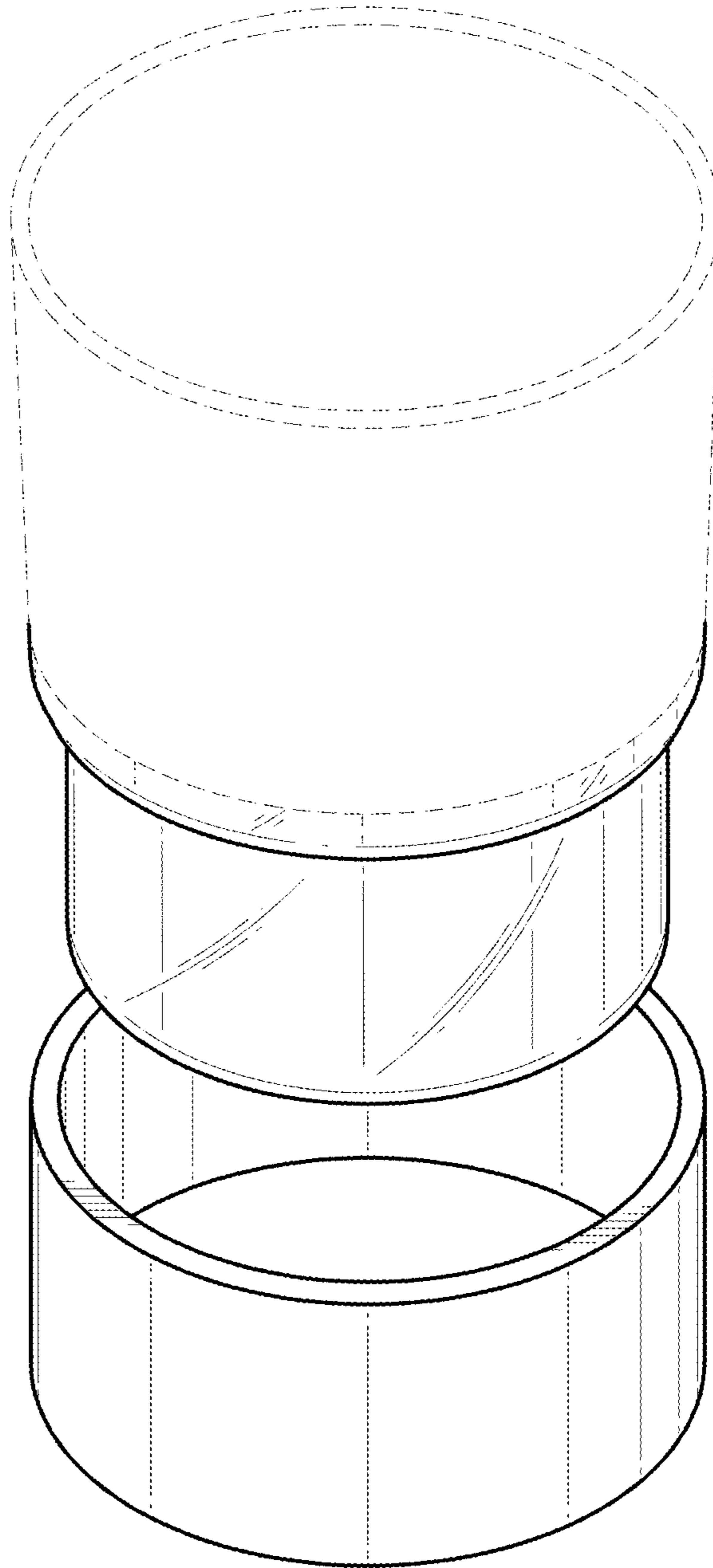


FIG. 7

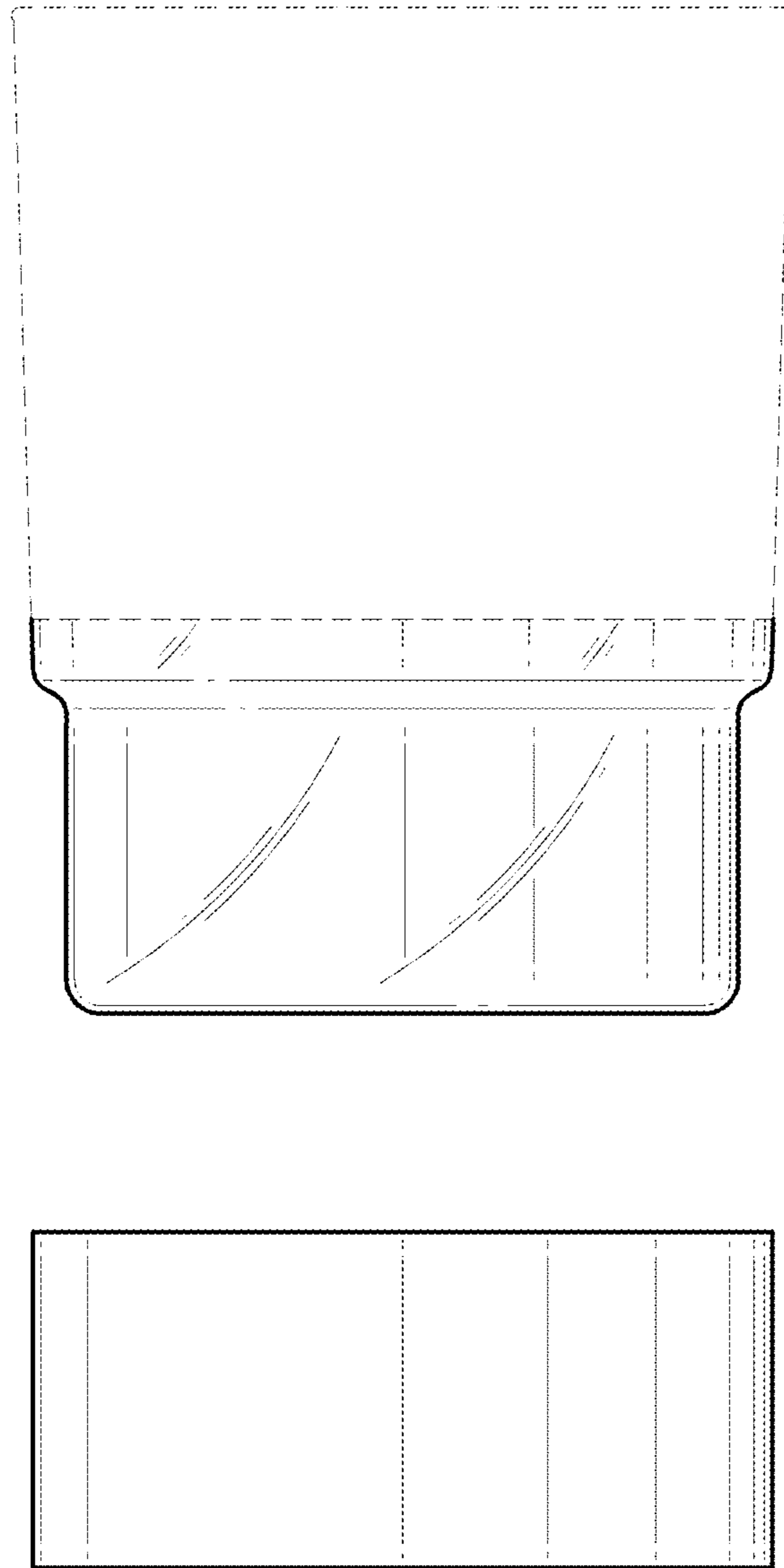


FIG. 8