



US00D823643S

(12) **United States Design Patent**
Paul

(10) **Patent No.:** **US D823,643 S**

(45) **Date of Patent:** **** Jul. 24, 2018**

(54) **BOWL**

(71) Applicant: **Grubb Holdings, LLC**, Carl Junction, MO (US)

(72) Inventor: **Thomas R. Paul**, Carl Junction, MO (US)

(73) Assignee: **Grubb Holdings, LLC**, Carl Junction, MO (US)

(**) Term: **15 Years**

(21) Appl. No.: **29/610,626**

(22) Filed: **Jul. 13, 2017**

(51) **LOC (11) Cl.** **07-01**

(52) **U.S. Cl.**
USPC **D7/584**

(58) **Field of Classification Search**
USPC D7/500, 584
CPC A47G 19/2205; A47G 2019/122
See application file for complete search history.

(56) **References Cited**

U.S. PATENT DOCUMENTS

5,439,128	A *	8/1995	Fishman	A45F 3/20 206/218
D478,474	S *	8/2003	Zettle	D7/545
D478,475	S *	8/2003	Backes	D7/545
D545,137	S *	6/2007	Furlong	D7/629
D564,711	S *	3/2008	Modi	D30/129
D565,253	S *	3/2008	Modi	D30/129
D591,590	S *	5/2009	Wilson	D9/428
D611,769	S *	3/2010	Hauser	D7/584
D614,453	S *	4/2010	Curtin	D7/629

D629,264	S *	12/2010	Curtin	D7/602
D651,865	S *	1/2012	Smyers	D7/584
D676,284	S *	2/2013	Pallotto	D7/629
D689,730	S *	9/2013	Goto	D7/354
D746,640	S *	1/2016	Myoung	D7/527
D761,061	S *	7/2016	McConnell	D7/587
D770,233	S *	11/2016	Raphael	D7/584
D787,274	S *	5/2017	Gagnon	D7/586
D792,745	S *	7/2017	Wu	D7/587
D795,017	S *	8/2017	Freeman	D7/584
2005/0127074	A1 *	6/2005	Kusuma	B65D 21/086 220/6
2008/0099476	A1 *	5/2008	Fung	A47J 36/02 220/6

* cited by examiner

Primary Examiner — Cynthia R Underwood

(74) *Attorney, Agent, or Firm* — Martin & Associates, LLC; Derek P. Martin

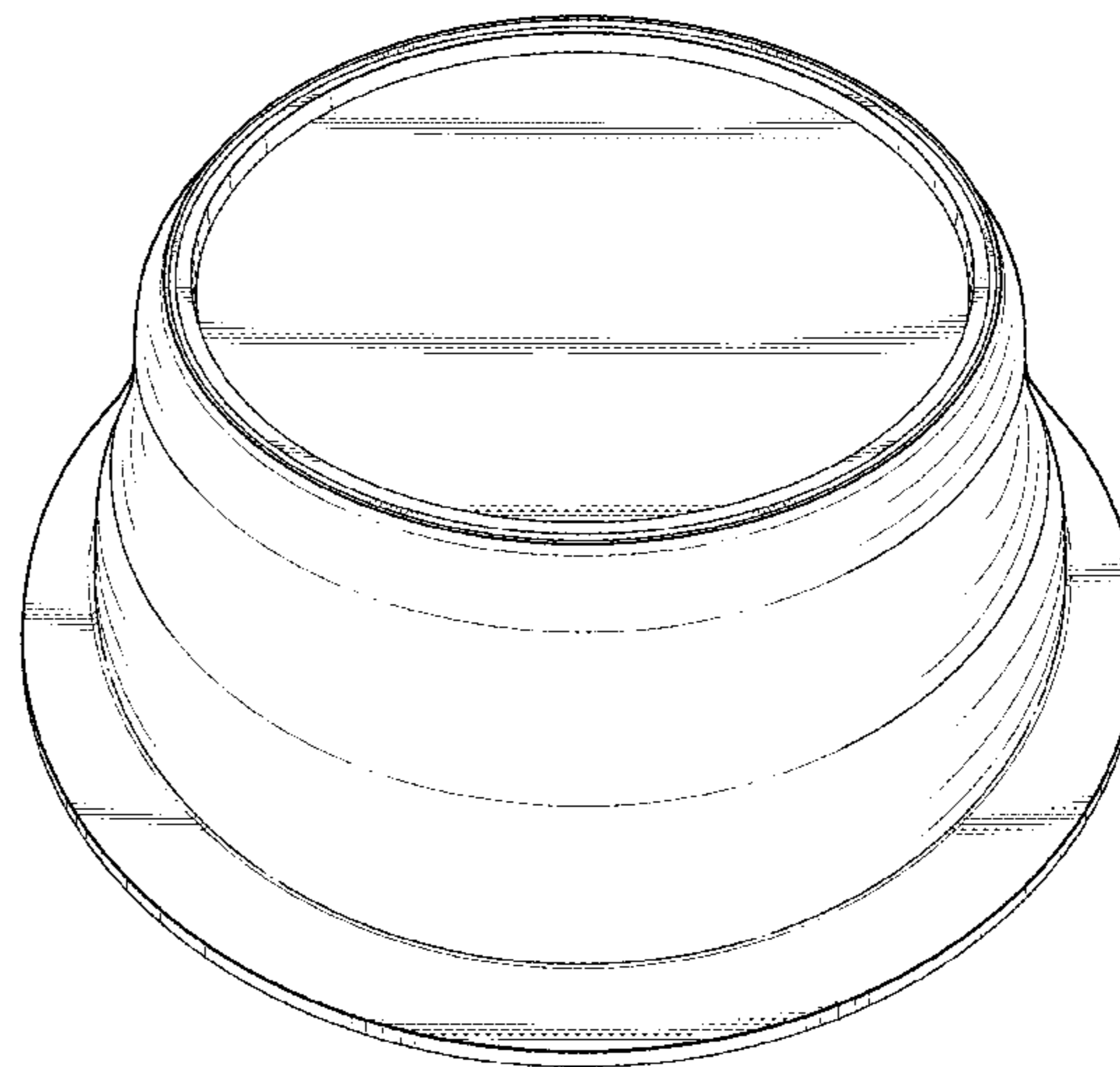
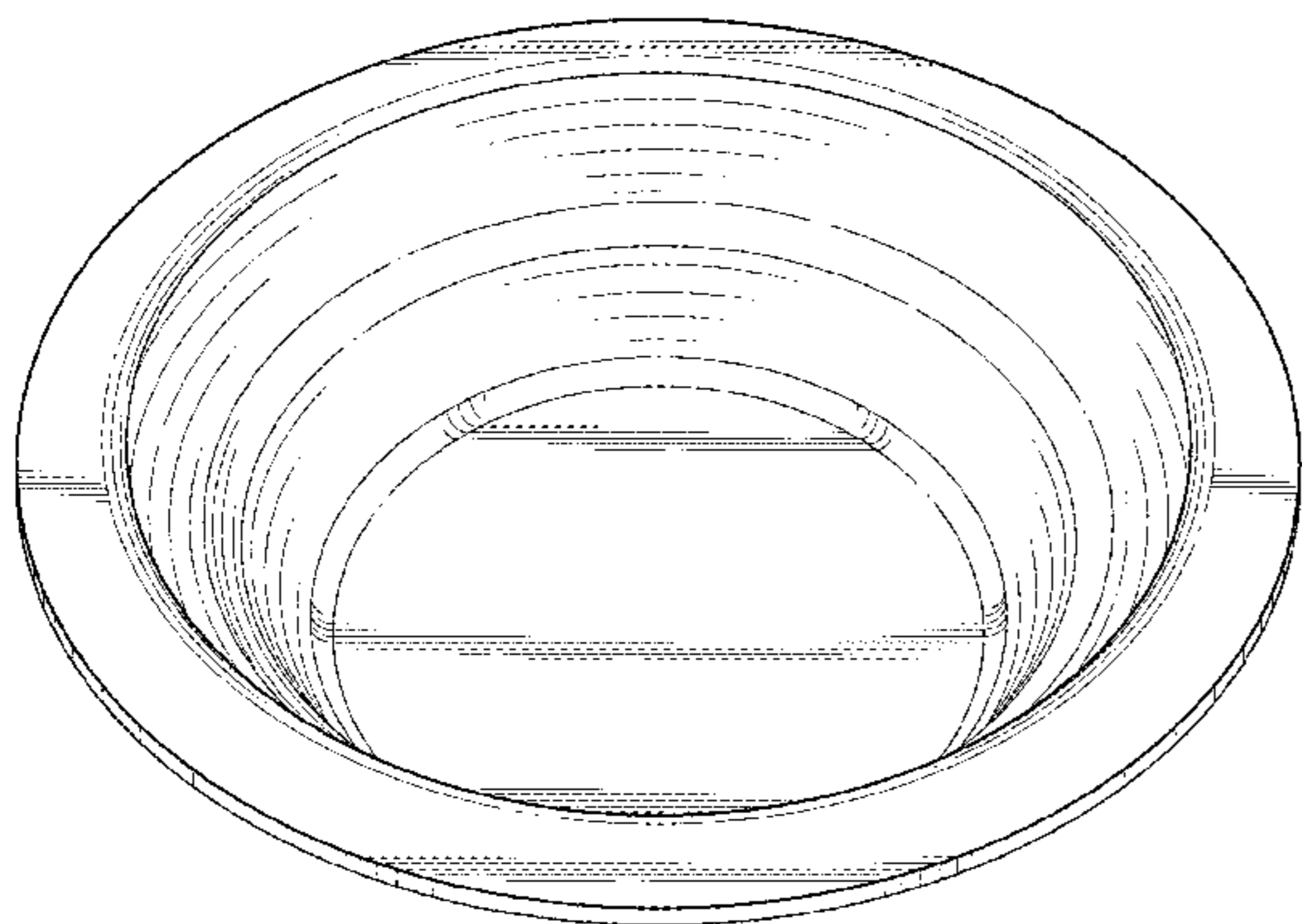
(57) **CLAIM**

The ornamental design for a bowl, as shown and described.

DESCRIPTION

FIG. 1 is a top perspective view of a bowl;
FIG. 2 is a bottom perspective view thereof;
FIG. 3 is a side view thereof, with the opposing side view, front view, and back view being identical;
FIG. 4 is a top view thereof;
FIG. 5 is a bottom view thereof;
FIG. 6 is a cross-sectional view thereof taken along the line 6-6 in FIG. 3; and,
FIG. 7 is an enlarged cross-sectional view of the portion of the bowl in area 7 in FIG. 6.

1 Claim, 4 Drawing Sheets



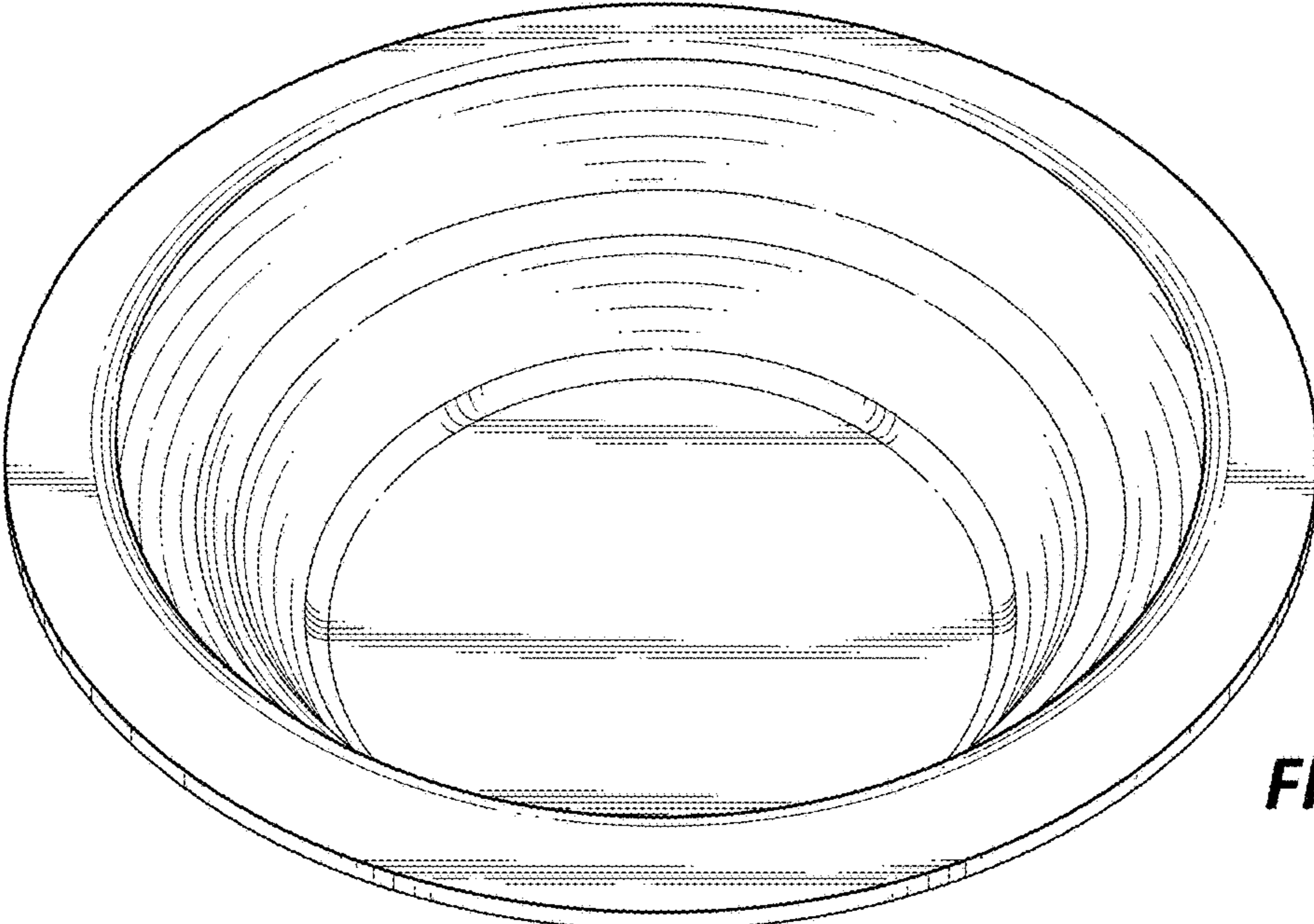


FIG. 1

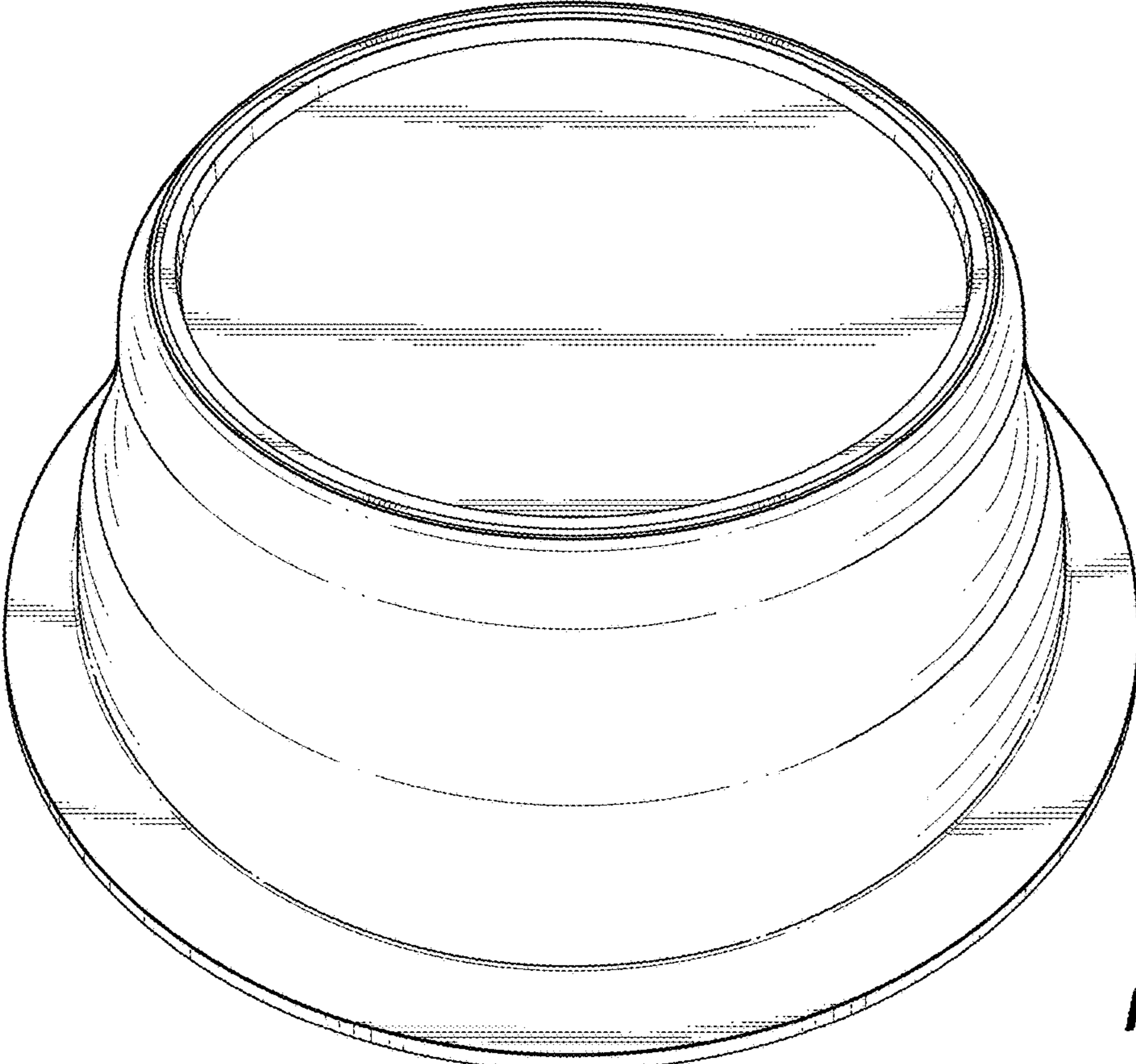


FIG. 2

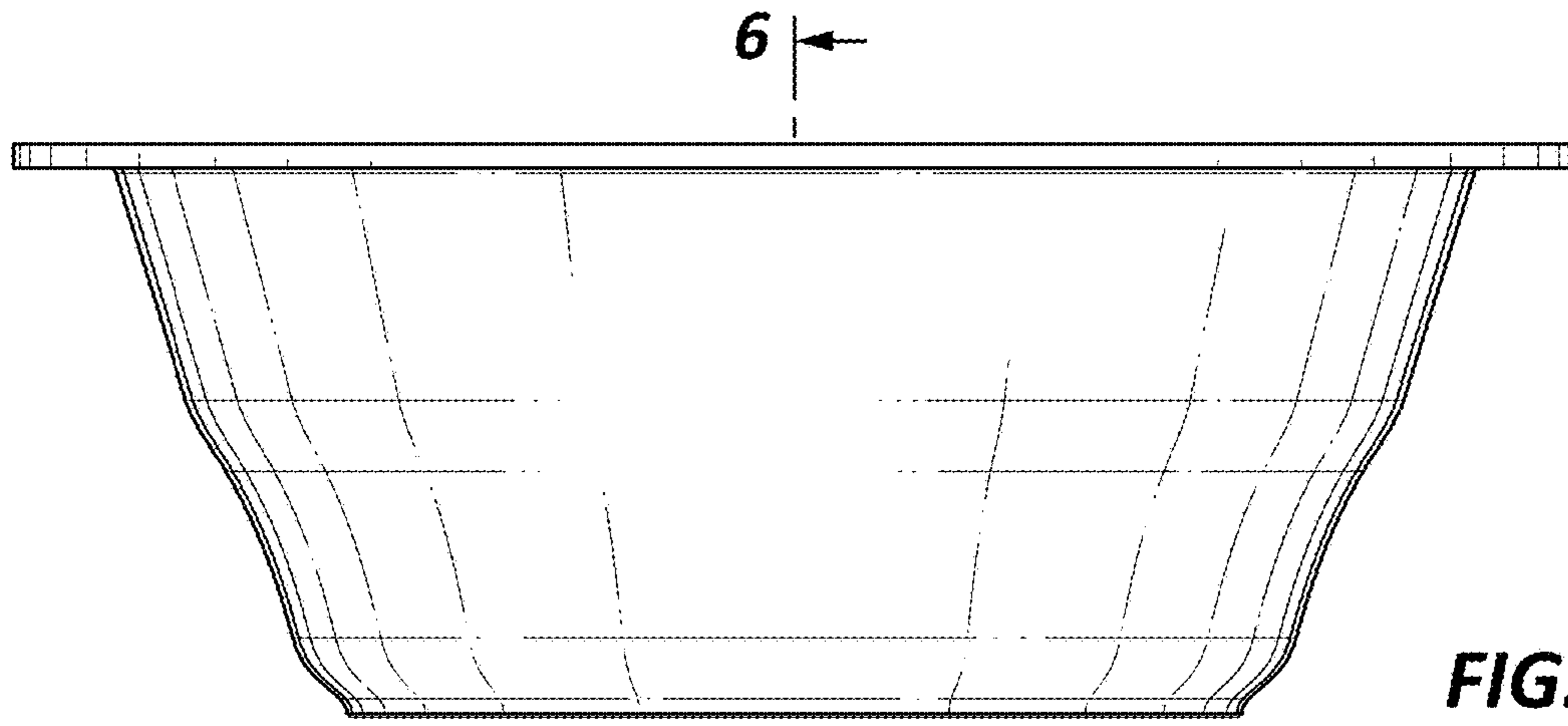


FIG. 3

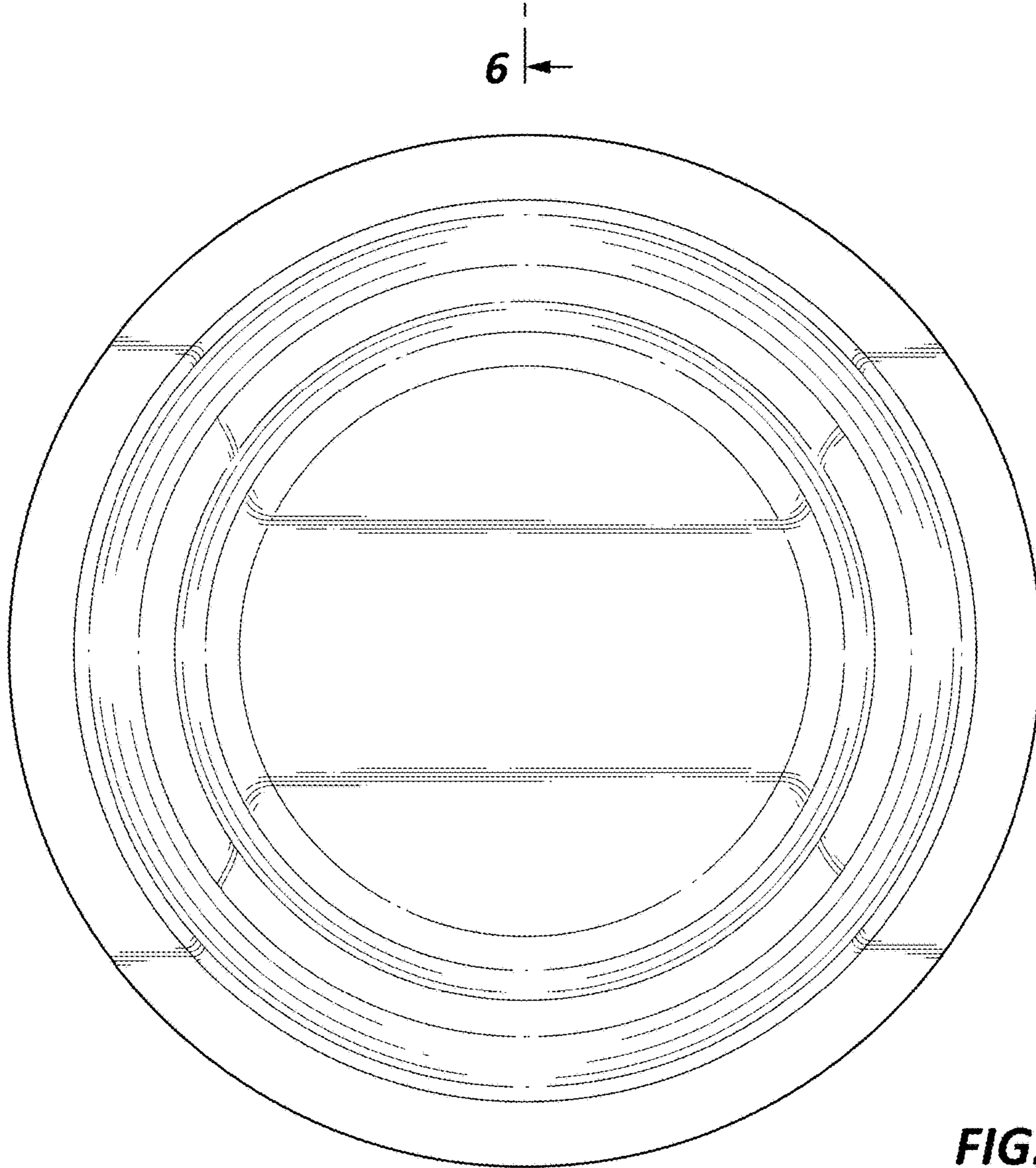


FIG. 4

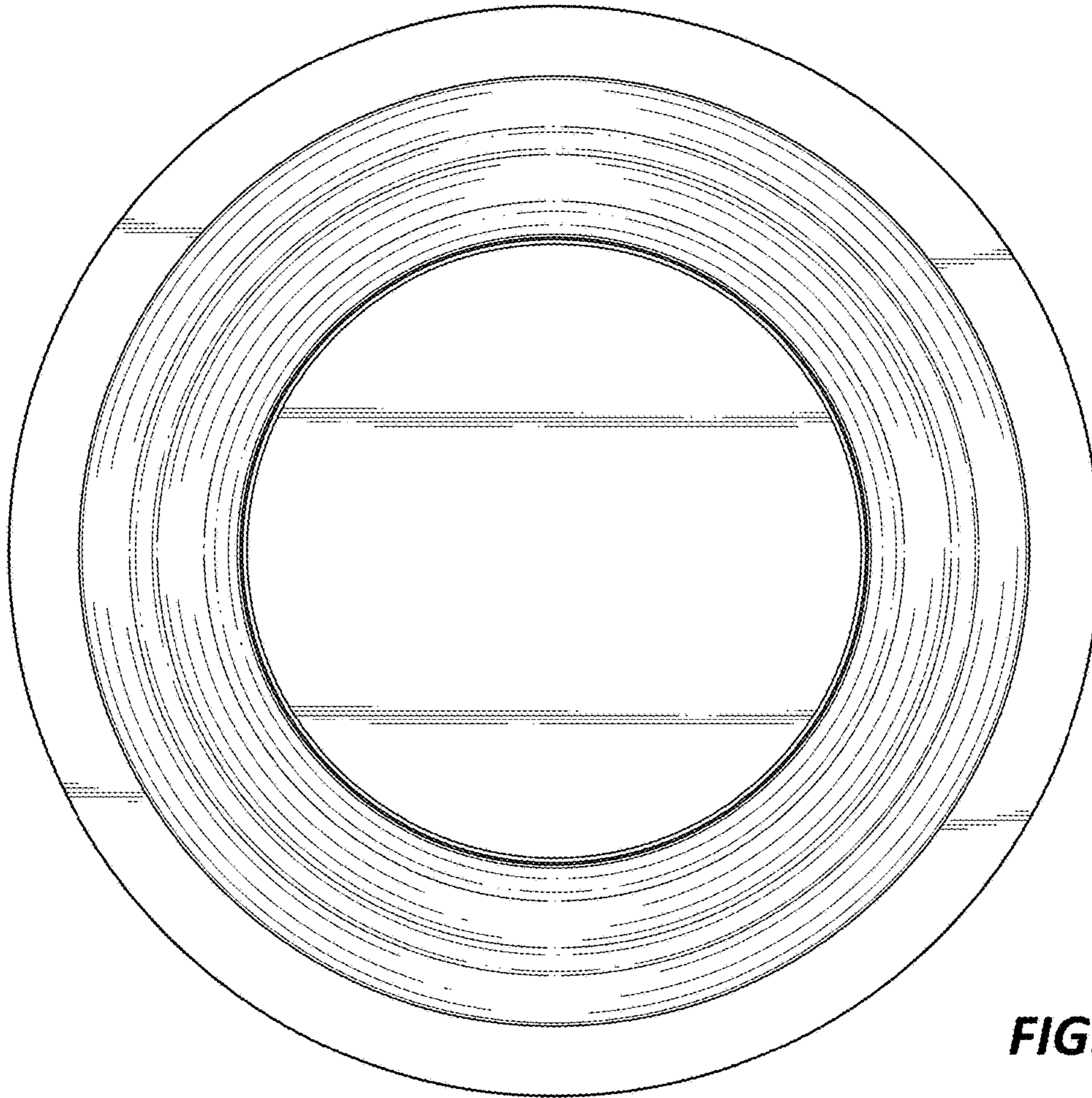


FIG. 5

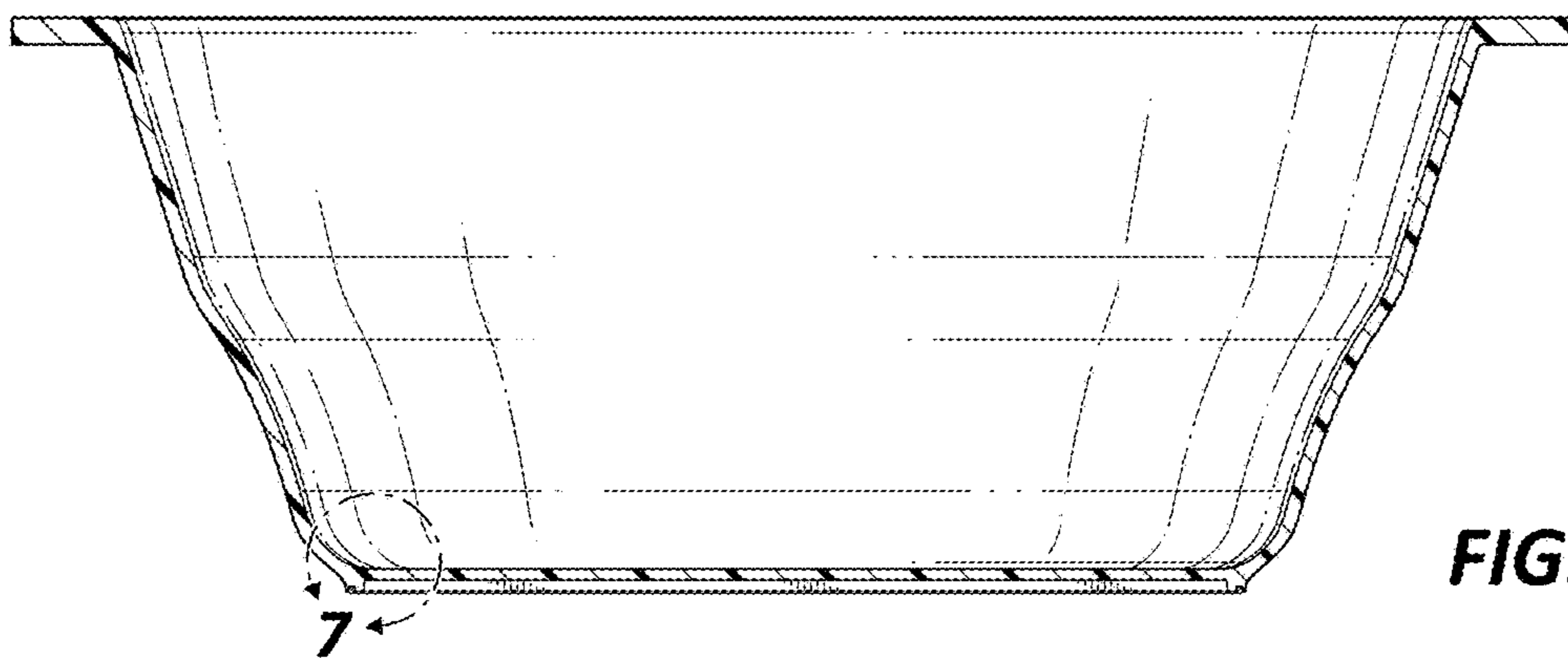


FIG. 6

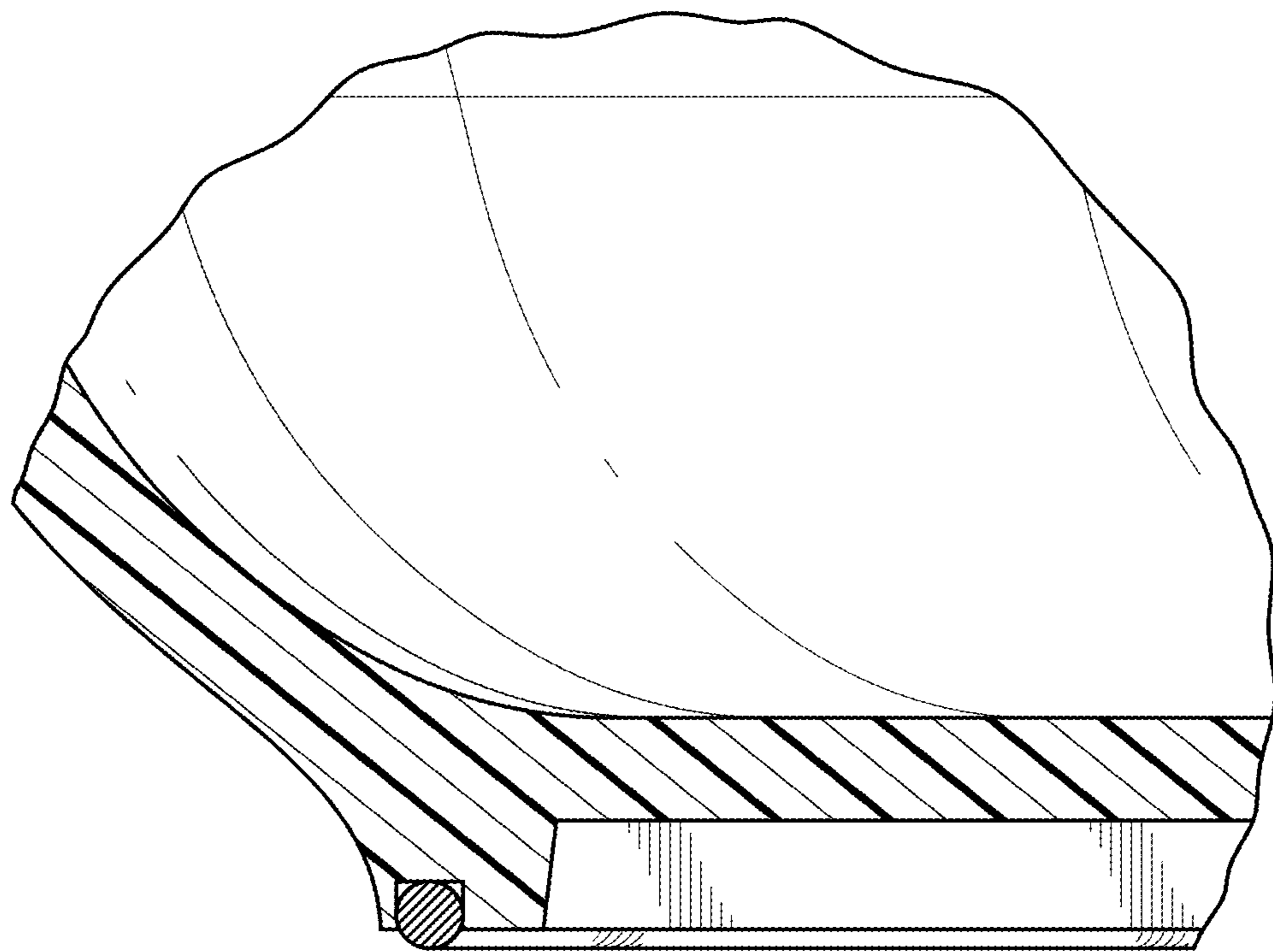


FIG. 7