



US00D823638S

(12) **United States Design Patent** (10) **Patent No.:** **US D823,638 S**
Smith et al. (45) **Date of Patent:** **** Jul. 24, 2018**

(54) **UTENSIL FOR A TODDLER**

(56) **References Cited**

(71) Applicant: **TOMY INTERNATIONAL, INC.**,
Dyersville, IA (US)

U.S. PATENT DOCUMENTS

(72) Inventors: **Collin Smith**, Gilbert, AZ (US); **Casey L. Moore**, Mesa, AZ (US); **Kathryn Wozniak**, Scottsdale, AZ (US); **Mariel Z. Pina**, Chandler, AZ (US); **Leda Belden**, Chandler, AZ (US); **Hideo Tone**, Chandler, AZ (US)

D421,875 S	*	3/2000	Sundberg	D7/395
D482,248 S	*	11/2003	Roehrig	D7/663
D542,619 S	*	5/2007	Hung	D8/107
D562,103 S	*	2/2008	Lin	D8/107
D580,715 S	*	11/2008	Finell	D7/643
D629,650 S	*	12/2010	Funka, Jr.	D7/395
D650,218 S	*	12/2011	Loaiza	D7/395
D690,156 S	*	9/2013	Apple	D7/401.2

* cited by examiner

(73) Assignee: **TOMY INTERNATIONAL, INC.**,
Dyersville, IA (US)

Primary Examiner — Ricky Pham

(**) Term: **15 Years**

(74) *Attorney, Agent, or Firm* — Lando & Anastasi, LLP

(21) Appl. No.: **29/617,194**

(57) **CLAIM**

(22) Filed: **Sep. 12, 2017**

The ornamental design for a utensil for a toddler, as shown and described.

(51) **LOC (11) Cl.** **07-03**

(52) **U.S. Cl.**
USPC **D7/401.2**; D7/395; D7/642; D7/653

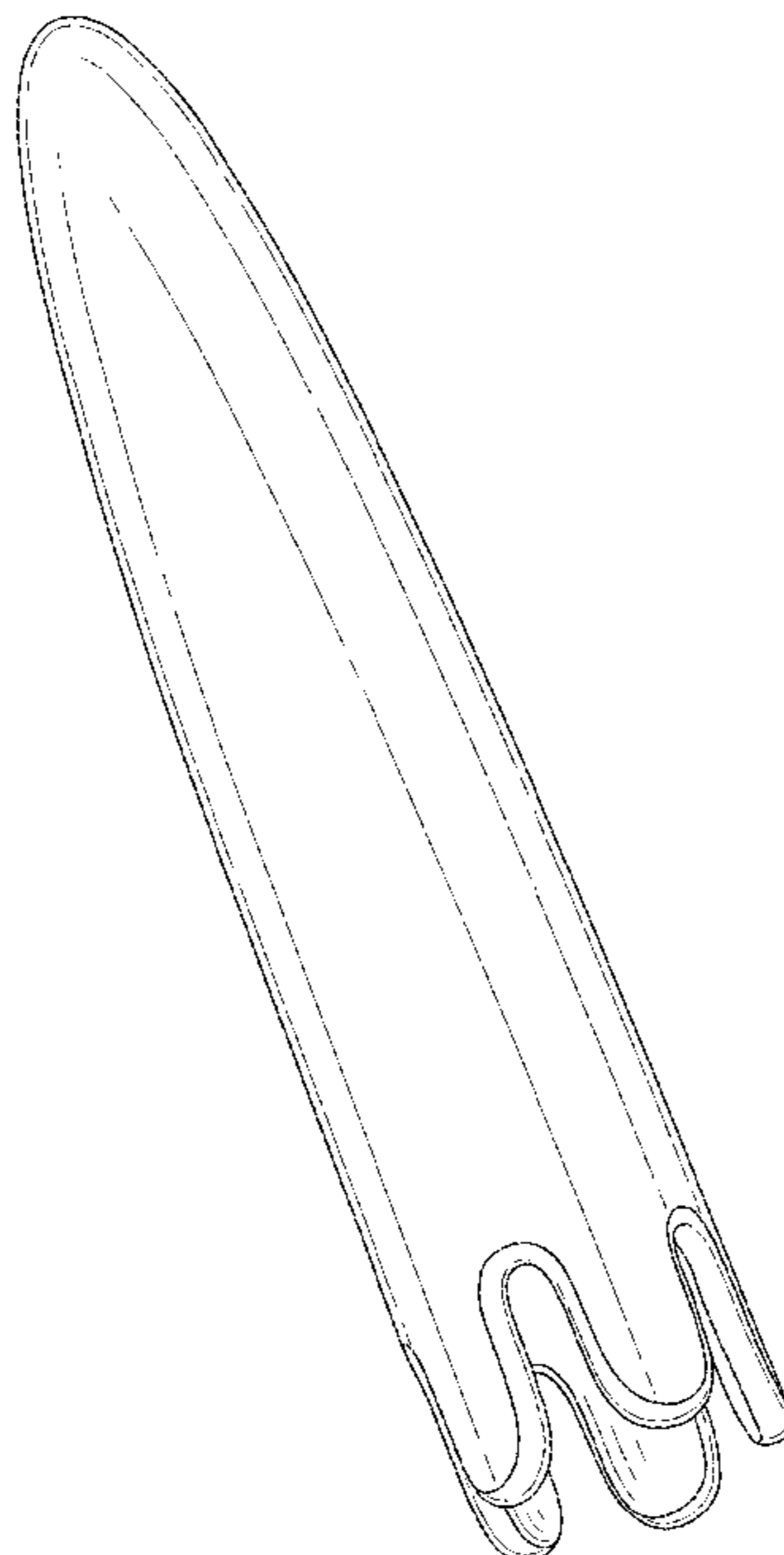
(58) **Field of Classification Search**
USPC D7/368, 395, 401.2, 642-645, 653-664,
D7/669, 675-677, 683, 688-689, 691;
D8/107, 300-301; D22/117-118
CPC ... A01D 9/02; A01D 9/04; A01D 9/06; A47G
21/00; A47G 21/004; A47G 21/005;
A47G 21/02; A47G 21/023; A47G 21/04;
A47G 21/06; A47G 21/08; A47J 43/28;
A47J 43/281; A47J 43/282; A61F 13/10;
A61J 7/0023; B25G 1/00; B25G 1/01;
B25G 1/02; B25G 3/00; B65D 75/56;
B65D 75/563; B65D 75/566; B67B 7/00;
B67B 7/724; B67B 7/73

See application file for complete search history.

DESCRIPTION

FIG. 1 is a perspective view of a utensil for a toddler design; FIG. 2 is a front elevational view thereof; FIG. 3 is a rear elevational view thereof; FIG. 4 is a left side view thereof; FIG. 5 is a right side view thereof; FIG. 6 is a top plan view thereof; and, FIG. 7 is a bottom plan view thereof. Any broken lines showing portions of the utensil for a toddler design in FIGS. 1-7 are for illustrative purposes only and form no part of the claimed design.

1 Claim, 6 Drawing Sheets



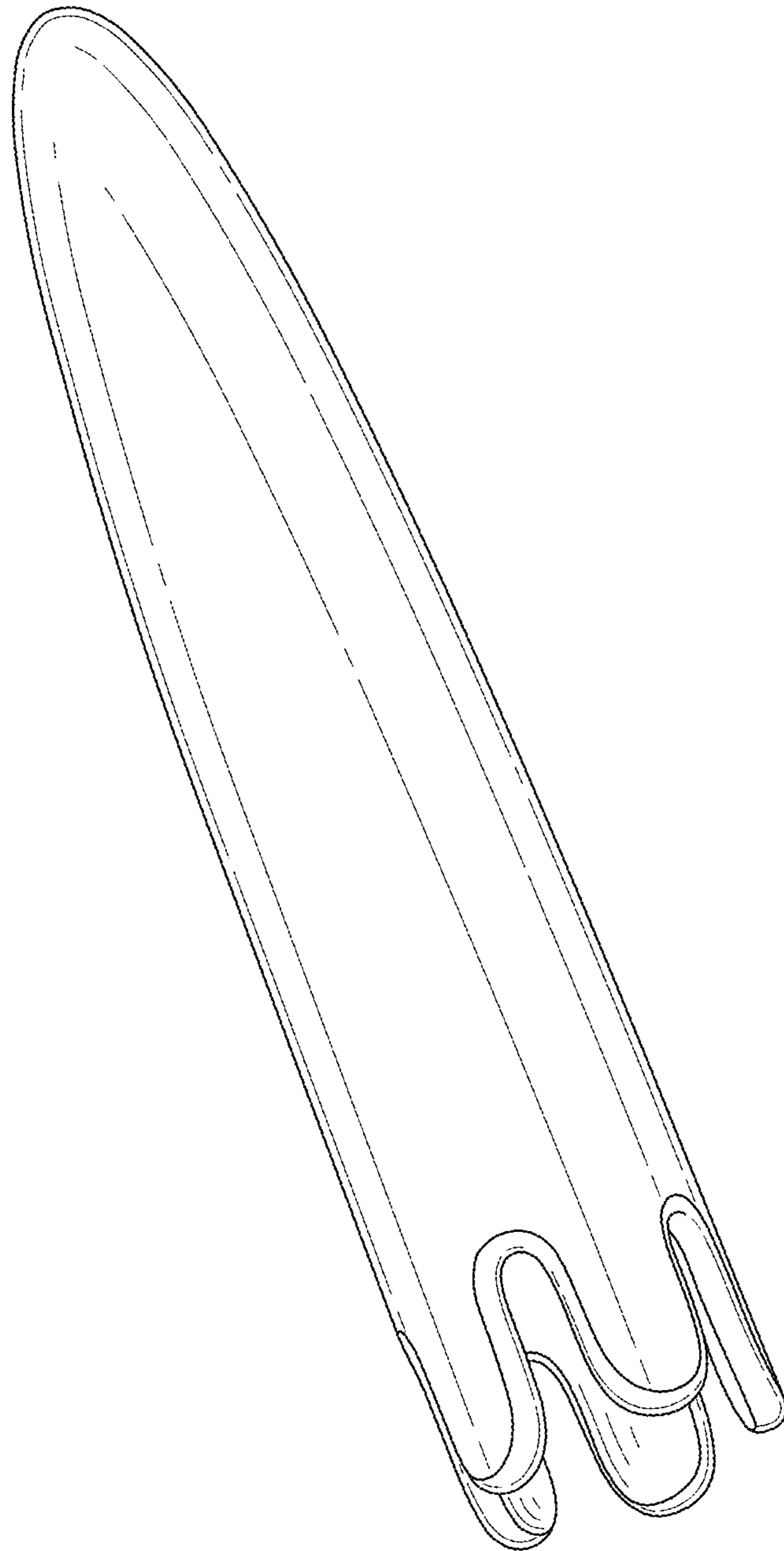


FIG. 1

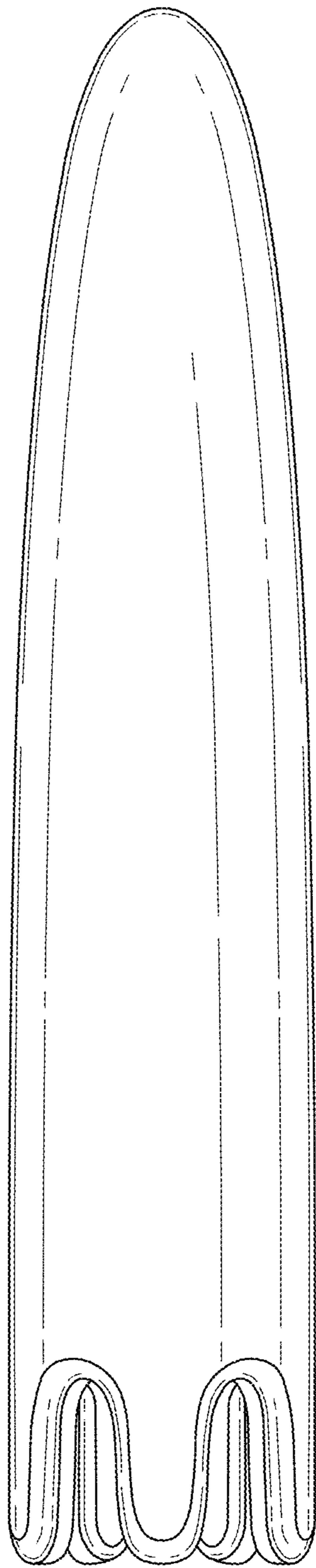


FIG. 2

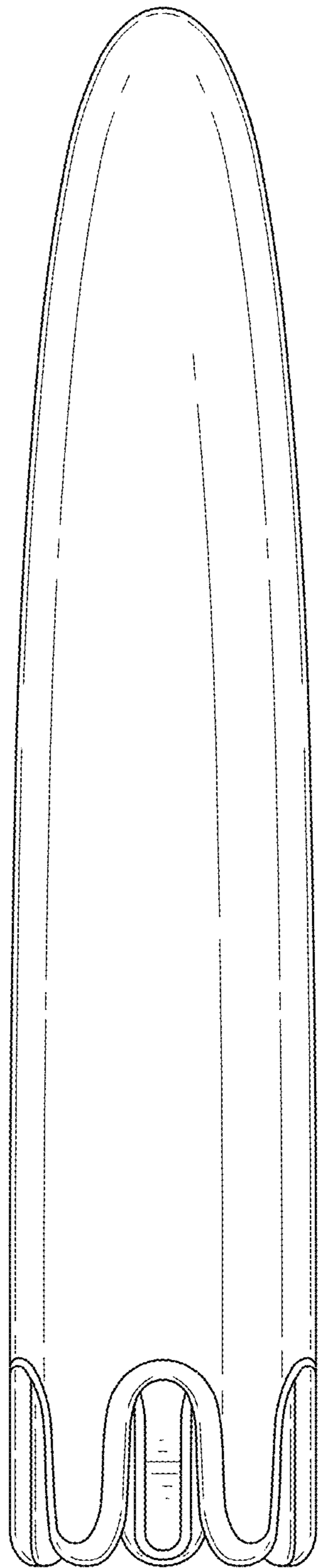


FIG. 3

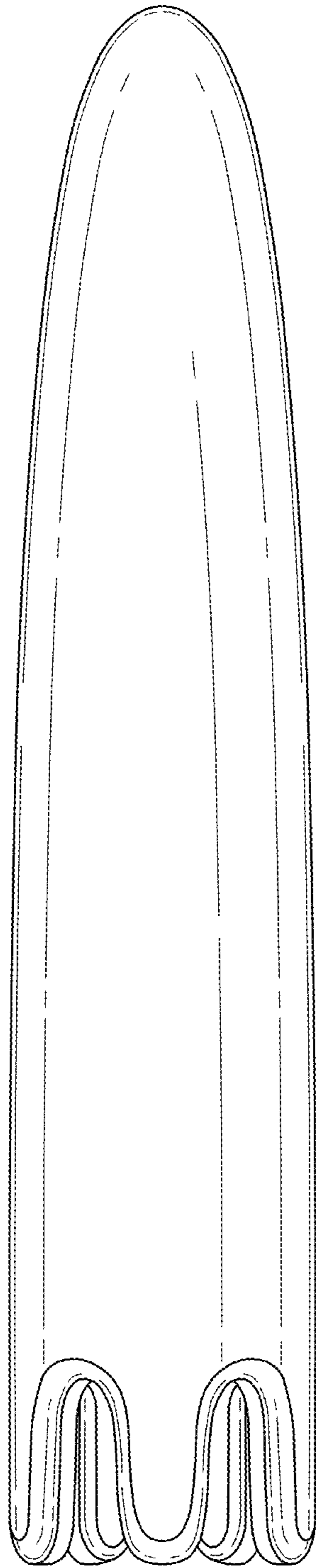


FIG. 4

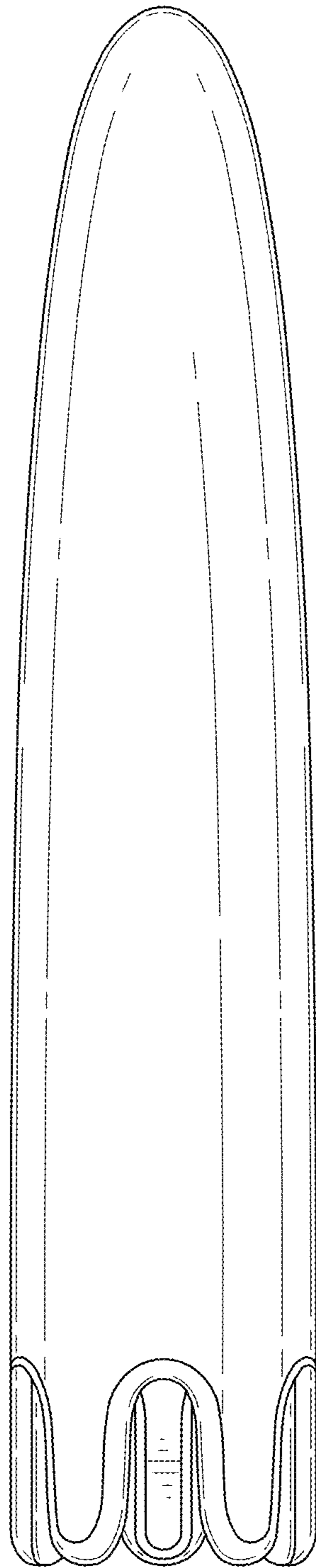


FIG. 5

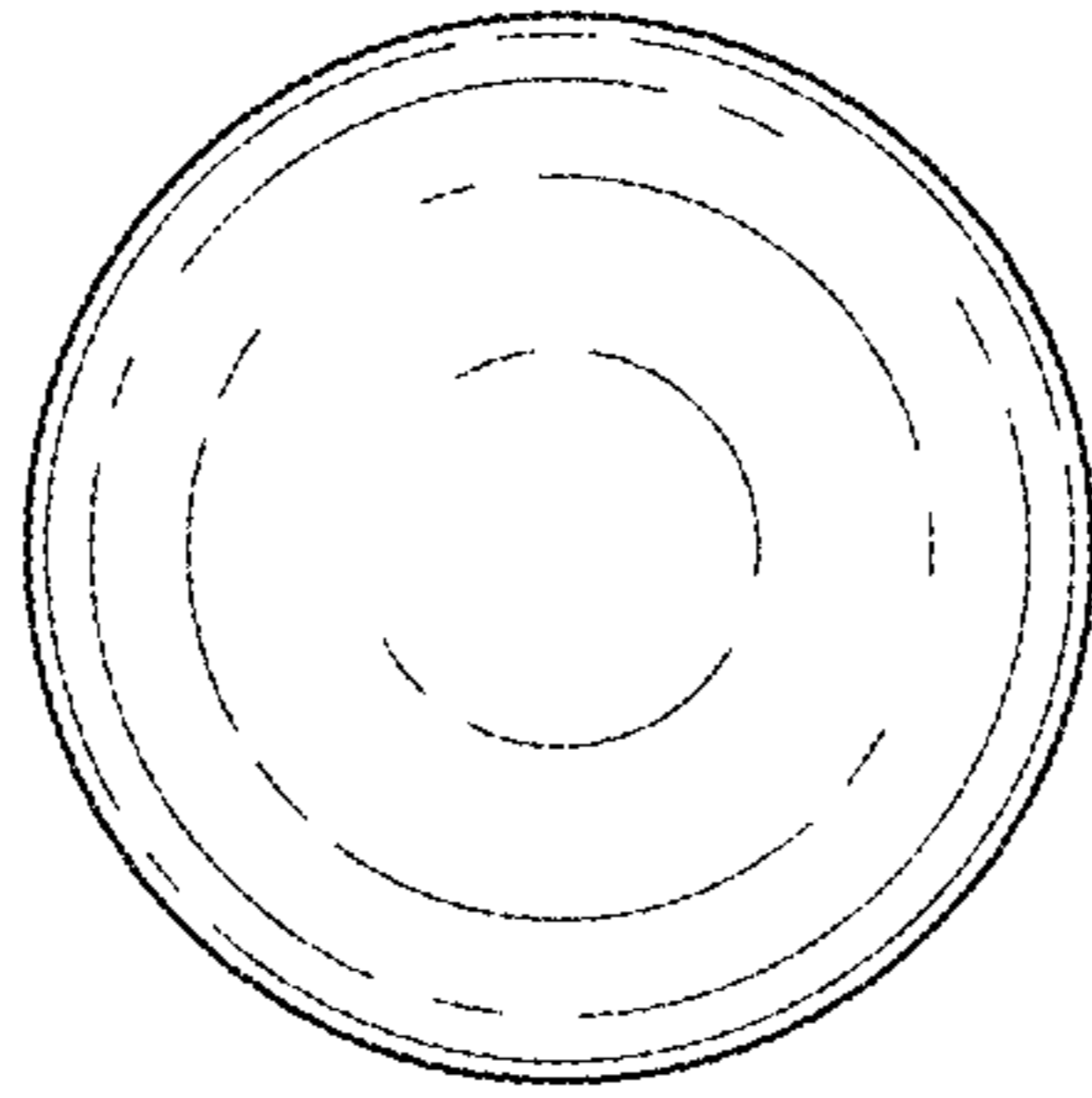


FIG. 6

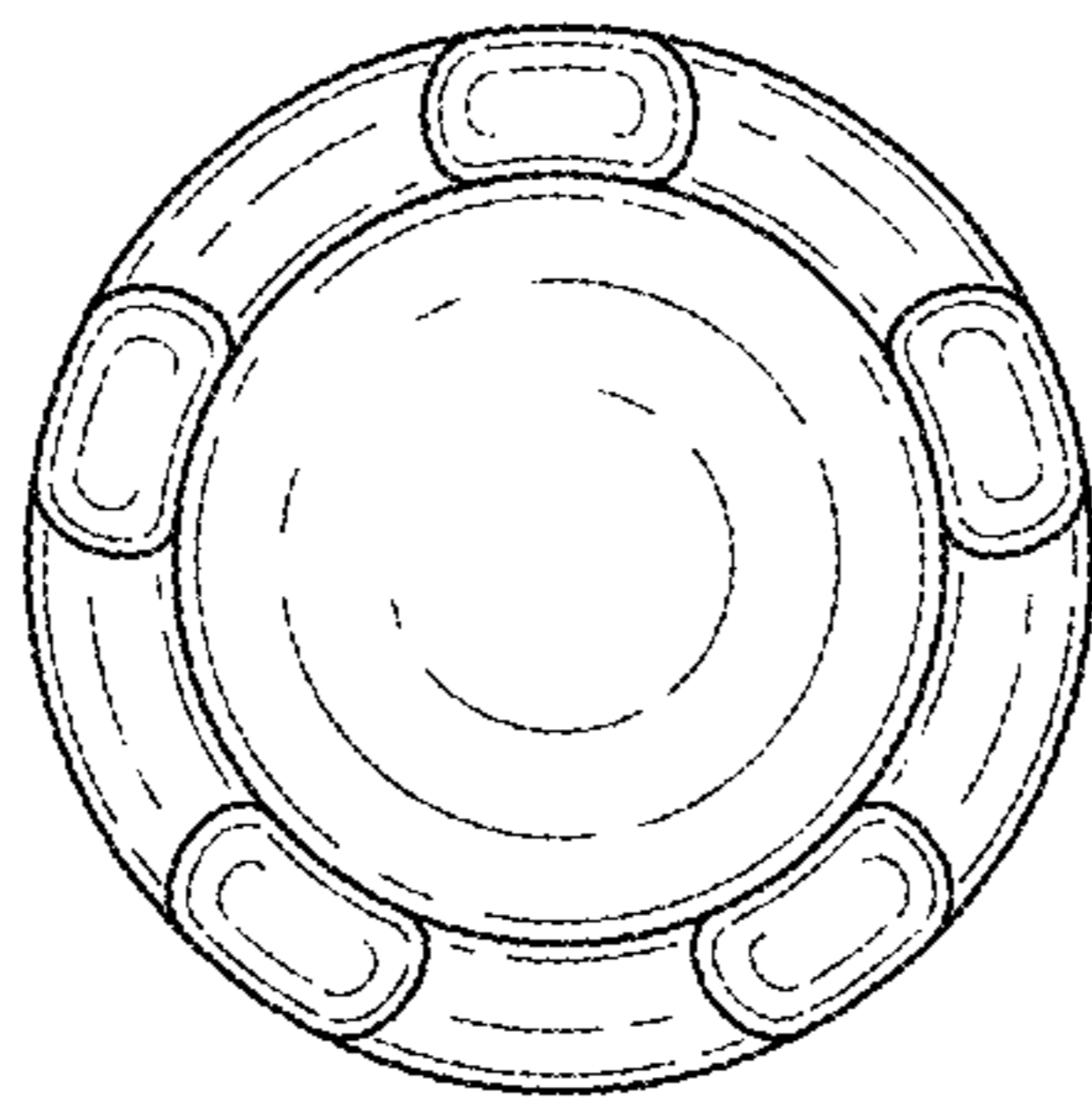


FIG. 7