



US00D823637S

(12) **United States Design Patent** (10) **Patent No.:** **US D823,637 S**
Coakley (45) **Date of Patent:** **** Jul. 24, 2018**

(54) **BLENDER BASE**

(56)

References Cited

- (71) Applicant: **SharkNinja Operating LLC**,
Needham, MA (US)
- (72) Inventor: **Devin Coakley**, Bellingham, MA (US)
- (73) Assignee: **SHARKNINJA OPERATING LLC**,
Needham, MA (US)
- (**) Term: **15 Years**
- (21) Appl. No.: **29/604,189**
- (22) Filed: **May 16, 2017**

U.S. PATENT DOCUMENTS

D242,208 S	11/1976	Madl et al.
D404,606 S	1/1999	Huang
D404,607 S	1/1999	Huang
D450,978 S	11/2001	Smith
D488,344 S	4/2004	Seum et al.
D502,047 S	2/2005	Ledingham et al.
D512,265 S	12/2005	McCurrach
D526,531 S	8/2006	Drees et al.
D533,395 S	12/2006	Drees et al.
D551,915 S	10/2007	Chang Chien
D552,412 S	10/2007	Steiner
D552,419 S	10/2007	Picozza et al.
D553,904 S	10/2007	Romandy
D567,578 S	4/2008	Chiappetta
D568,096 S	5/2008	Sun
D577,537 S	9/2008	Lee
D587,961 S	3/2009	Lavy
7,581,668 B2	9/2009	Mally
D605,462 S	12/2009	Picozza et al.
D611,760 S	3/2010	Ball
D617,136 S	6/2010	Bock et al.
D617,145 S	6/2010	Picozza et al.
D625,141 S	10/2010	Moore
D637,870 S	5/2011	Bock
D642,857 S	8/2011	Bodum
D644,480 S	9/2011	Czach et al.
D645,301 S	9/2011	Tse
D647,357 S	10/2011	Audette et al.
D647,367 S	10/2011	Audette et al.
D647,368 S	10/2011	Audette et al.
D654,305 S	2/2012	Gursel et al.
D655,981 S	3/2012	Gursel et al.
D658,430 S	5/2012	Hoare et al.
D660,642 S	5/2012	Boozer et al.
D667,259 S	9/2012	Lee et al.
D667,260 S	9/2012	Lee et al.
D667,261 S	9/2012	Lee et al.
D668,100 S	10/2012	Palermo et al.
D674,235 S	1/2013	Lee et al.
D674,658 S	1/2013	Fouquet
D677,976 S	3/2013	Palermo et al.
D690,152 S	9/2013	Palermo et al.
D694,573 S	12/2013	Norland et al.
D694,574 S	12/2013	Norland et al.
D694,582 S	12/2013	Norland
D694,583 S	12/2013	Norland
D695,060 S	12/2013	Penaherrera et al.
D696,063 S	12/2013	Coakley et al.
D702,078 S	4/2014	Coakley et al.

Related U.S. Application Data

(60) Division of application No. 29/531,840, filed on Jun. 30, 2015, now Pat. No. Des. 795,005, which is a continuation of application No. 29/519,682, filed on Mar. 6, 2015, now Pat. No. Des. 793,153.

(51) **LOC (11) Cl.** **31-00**

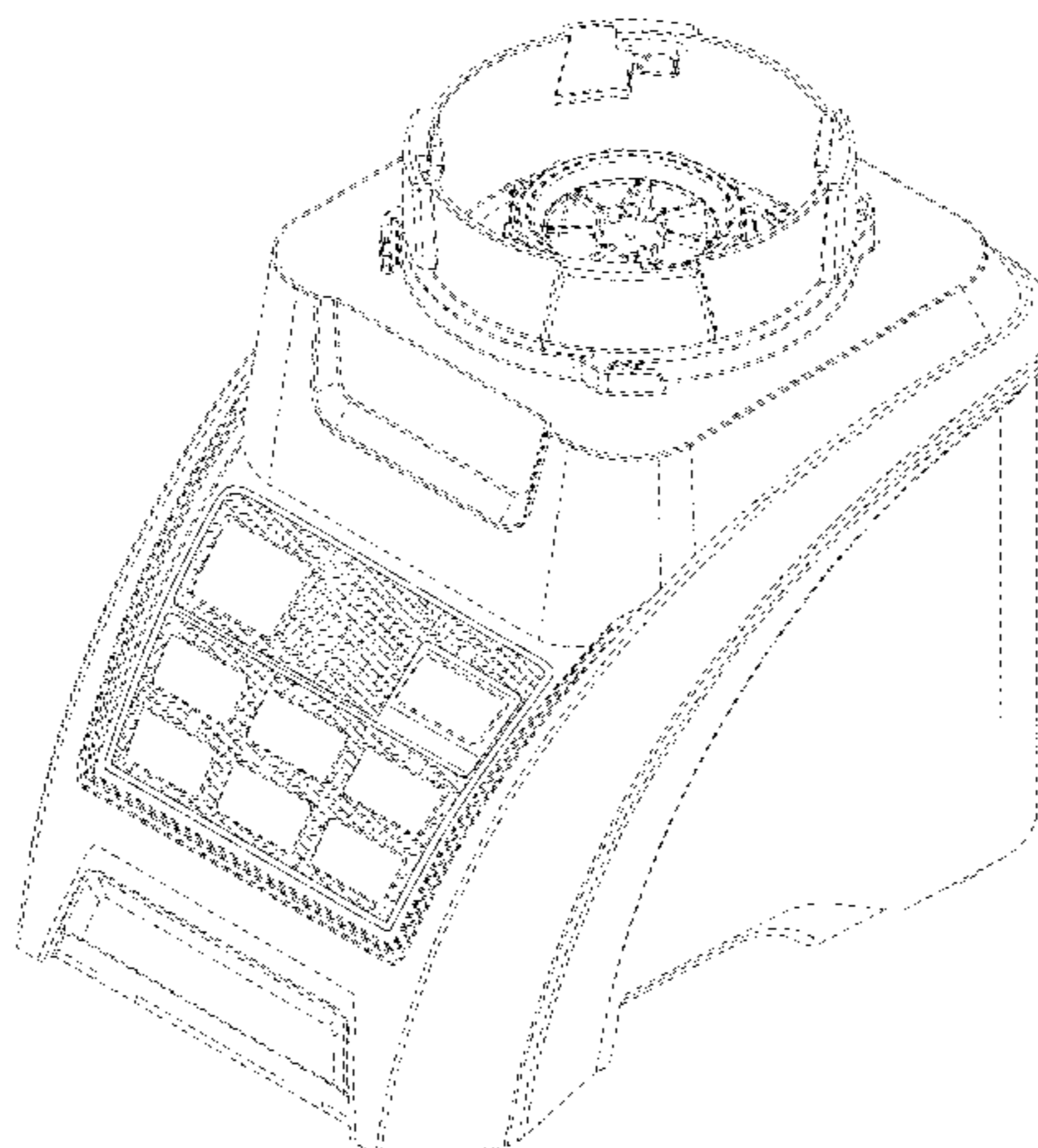
(52) **U.S. Cl.**
USPC **D7/386; D7/376; D7/378; D7/412; D7/413**

(58) **Field of Classification Search**

USPC D7/372, 376–386, 412–413, 602, 629,
D7/665–666, 669, 679, 693–694

CPC A21C 1/02; A21C 1/04; A23N 1/00; A23N
1/02; A47J 43/04; A47J 43/25; A47J
43/27; A47J 43/042; A47J 43/044; A47J
43/046; A47J 43/075; A47J 43/0716;
A47J 43/0722; A47J 43/0727; B01F 3/00;
B01F 3/0807; B01F 3/0853; B01F
13/0059; B01F 13/0064; B02C 1/08;
B02C 2/04; B02C 4/42; B02C 4/142;
B02C 4/143; B02C 4/423; B02C 13/1835;
B02C 25/00; B28C 5/10; B28C 5/12;
B28C 5/14; B28C 5/16

See application file for complete search history.



D704,502 S	5/2014	Coakley et al.	
D711,688 S	8/2014	Prats	
D730,681 S	6/2015	Smith et al.	
D730,682 S	6/2015	Tu	
D730,683 S	6/2015	Tu	
D731,850 S	6/2015	Smith	
D733,488 S	7/2015	Tu	
D745,317 S	12/2015	Dichraff et al.	
9,265,381 B2	2/2016	Beber et al.	
D755,003 S	5/2016	Palermo et al.	
D761,617 S	7/2016	Dennisur et al.	
D765,462 S	9/2016	Davies	
D765,465 S	9/2016	Du	
D766,649 S	9/2016	Suzuki	
9,439,538 B2 *	9/2016	Paget	A47J 43/0716
D771,999 S	11/2016	Kettavong et al.	
D772,011 S	11/2016	Barquin et al.	
D772,650 S	11/2016	Barquin et al.	
D773,247 S	12/2016	Barquin et al.	
D773,248 S	12/2016	Barquin et al.	
D773,249 S	12/2016	Barquin et al.	
D778,665 S *	2/2017	Barquin	D7/376
D780,507 S *	3/2017	Barquin	D7/376
D783,340 S *	4/2017	Palermo	D7/376
D783,355 S *	4/2017	Tu	D7/376
D786,613 S	5/2017	McConnell et al.	
D786,614 S	5/2017	Smith et al.	
D786,615 S	5/2017	Tsai	
D787,882 S	5/2017	McConnell et al.	
D789,735 S	6/2017	Palermo et al.	
D789,736 S	6/2017	Palermo et al.	
D793,153 S *	8/2017	Tu	D7/376
D794,384 S *	8/2017	Lee	D7/376
D795,005 S *	8/2017	Coakley	D7/376
D797,496 S *	9/2017	Gee, II	D7/376
D797,505 S *	9/2017	Tu	D7/376
2008/0089170 A1	4/2008	Larsen et al.	
2008/0089171 A1	4/2008	Larsen et al.	
2008/0219089 A1	9/2008	Sandford et al.	
2009/0129200 A1	5/2009	Breviere et al.	
2010/0246319 A1	9/2010	Pryor, Jr. et al.	
2014/0247686 A1 *	9/2014	Arnett	A47J 43/046 366/205
2016/0220071 A1 *	8/2016	Hewitt	A47J 43/0727
2016/0331182 A1 *	11/2016	Golino	B02C 25/00

FOREIGN PATENT DOCUMENTS

EM 0013887970002 8/2013

OTHER PUBLICATIONS

Application for Registration of an Industrial Design Examiner's Report; Canadian Application No. 172856; dated May 31, 2017; 3 Pages.

Application for Registration of an Industrial Design Examiner's Report; Canadian Application No. 172857; dated May 31, 2017; 3 Pages.

Notice of Completion of Formalities for Patent Register and Notice of Grant of Design Patent Right; Chinese Application No. 2017300502943; dated Jun. 19, 2017; 5 Pages.

Notice of Completion of Formalities for Patent Register and Notice of Grant of Design Patent Right; Chinese Application No. 2017300505640; dated Jul. 11, 2017; 5 Pages.

Notice of Completion of Formalities for Patent Register and Notice of Grant of Design Patent Right; Chinese Application No. 201730050566X; dated Jul. 10, 2017; 5 Pages.

Notice of Completion of Formalities for Patent Register and Notice of Grant of Design Patent Right; Chinese Application No. 2017300523386; dated Jun. 6, 2017; 5 Pages.

Notice of Completion of Formalities for Patent Register and Notice of Grant of Design Patent Right; Chinese Application No. 2017300541897; dated Jul. 18, 2017; 5 Pages.

Notice of Completion of Formalities for Patent Register and Notice of Grant of Design Patent Right; Chinese Application No. 2017300544679; dated Jul. 6, 2017; 5 Pages.

Notice of Completion of Formalities for Patent Register and Notice of Grant of Design Patent Right; Chinese Application No. 2017300546640; dated Jun. 21, 2017; 5 Pages.

Requirement for Restriction/Election; U.S. Appl. No. 29/576,018, filed Aug. 31, 2016; Food Processor and Parts Thereof; dated Jul. 6, 2017; 7 Pages.

Requirement for Restriction/Election; U.S. Appl. No. 29/576,020, filed Aug. 31, 2016; Food Processor and Parts Thereof; dated Jul. 5, 2017; 7 Pages.

Requirement for Restriction/Election; U.S. Appl. No. 29/576,021, filed Aug. 31, 2016; Food Processor and Parts Thereof; dated Jul. 6, 2017; 7 Pages.

Design No. 28449; Soviet Design Gazette; vol. 3; Published: Sep. 15, 1990; pp. 180-181.

Japanese Design No. D1491535 (S); Publication Date: Mar. 3, 2014; Machine Translation; 9 Pages.

Japanese Design No. D1491536 (S); Publication Date: Mar. 3, 2014; Machine Translation; 9 Pages.

Japanese Design No. D1518840 (S); Publication Date: Mar. 9, 2015; Machine Translation; 10 Pages.

Japanese Design No. D1523840 (S); Publication Date: May 18, 2015; Machine Translation; 9 Pages.

Japanese Design No. D1528172 (S); Publication Date: Jul. 6, 2015; Machine Translation; 9 Pages.

Japanese Design No. D1533047 (S); Publication Date: Sep. 7, 2015; Machine Translation; 9 Pages.

Notice of Allowance; Blender Base; U.S. Appl. No. 29/531,840, filed Jun. 30, 2015; dated Oct. 4, 2016; 7 Pages.

Notice of Allowance; Blender Base; U.S. Appl. No. 29/531,840, filed Jun. 30, 2015; dated Nov. 25, 2016, 11 Pages.

Notice of Allowance; Blender Base; U.S. Appl. No. 29/531,840, filed Jun. 30, 2015; dated Feb. 16, 2017; 11 Pages.

Notice of Allowance; Blender; U.S. Appl. No. 29/519,682, filed Mar. 6, 2015; dated Aug. 12, 2016; 6 Pages.

Notice of Allowance; Blender; U.S. Appl. No. 29/519,682, filed Mar. 6, 2015; dated Sep. 23, 2016; 12 Pages.

Notice of Allowance; Blender; U.S. Appl. No. 29/527,670, filed May 21, 2015; dated Aug. 9, 2016; 7 Pages.

Notice of Allowance; Blender; U.S. Appl. No. 29/527,670, filed May 21, 2015; dated Sep. 27, 2016; 12 Pages.

Notice of Allowance; U.S. Appl. No. 29/519,682, filed Mar. 6, 2015; Blender; dated Jan. 9, 2017; 11 Pages.

Notice of Allowance; U.S. Appl. No. 29/527,670, filed May 21, 2015; Blender; dated Jan. 9, 2017; 11 Pages.

Notice of References; Japanese Design Application No. 2015-19809; dated Jan. 8, 2016; 2 Pages.

Notice of References; Japanese Design Application No. 2015-19810; dated Jan. 8, 2016; 2 Pages.

Notice of References; Japanese Design Application No. 2015-19811; dated Jan. 8, 2016; 2 Pages.

Notice of References; Japanese Design Application No. 2015-19812; dated Jan. 8, 2016; 2 Pages.

Notice of References; Japanese Design Application No. 2015-19813; dated Jan. 8, 2016; 2 Pages.

Notice of References; Japanese Design Application No. 2015-19814; dated Jan. 8, 2016; 2 Pages.

Notice of References; Japanese Design Application No. 2015-19815; dated Jan. 8, 2016; 2 Pages.

Notice of References; Japanese Design Application No. 2015-19816; dated Jan. 8, 2016; 2 Pages.

Notice of References; Japanese Design Application No. 2015-19817; dated Jan. 8, 2016; 2 Pages.

Requirement for Restriction/Election; Blender; U.S. Appl. No. 29/519,682, filed Mar. 6, 2015; 6 Pages.

Requirement for Restriction/Election; Blender; U.S. Appl. No. 29/527,670, filed May 21, 2015; 6 Pages.

Requirement for Restriction/Election; Blender; U.S. Appl. No. 29/531,840, filed Jun. 30, 2015; 7 Pages.

Walmart; "Oster 600-Watt Fusion Blender, BRLY07-B00-000"; URL: <http://www.walmart.com/ip/Oster-600-Watt-Fusion-Blender/9604653>; URL Accessed: Jul. 29, 2016; 8 Pages.

Notice of Completion of Formalities for Patent Register and Notice of Grant of Design Patent Right; Chinese Application No. 201730052179X; dated Aug. 2, 2017; 5 Pages.

Notification of Reasons for Rejection; Japanese Design Application No. 2017-003904; dated Jun. 9, 2017; 3 Pages.

Notification of Reasons for Rejection; Japanese Design Application No. 2017-003905; dated Jun. 9, 2017; 3 Pages.

Notice of Allowance; U.S. Appl. No. 29/600,126; filed Apr. 10, 2017; Blender; dated Nov. 15, 2017; 21 Pages.

Notice of Decision for Design Registration; Korean Application No. 30-2017-0009484; dated Nov. 5, 2017; 6 Pages.

Notice of Decision for Design Registration; Korean Application No. 30-2017-0009485; dated Nov. 5, 2017; 6 Pages.

Notice of Allowance; U.S. Appl. No. 29/576,021, filed Aug. 31, 2016; Food Processor and Parts Thereof; dated Nov. 15, 2017, 34 Pages.

Notice of Completion of Formalities for Patent Register and Notice of Grant of Design Patent Right; Chinese Application No. 2017300521056; dated Aug. 29, 2017; 5 Pages.

Notice of Decision for Design Registration; Korean Design Application No. 30-2017-0009475; dated Aug. 18, 2017; 6 Pages.

Notice of Decision for Design Registration; Korean Design Application No. 30-2017-0009476; dated Sep. 11, 2017; 6 Pages.

Notice of Decision for Design Registration; Korean Design Application No. 30-2017-0009477; dated Aug. 18, 2017; 6 Pages.

Notice of Decision for Design Registration; Korean Design Application No. 30-2017-0009479; dated Aug. 22, 2017; 6 Pages.

Notice of Decision for Design Registration; Korean Design Application No. 30-2017-0009482; dated Aug. 22, 2017; 6 Pages.

Notice of Decision for Design Registration; Korean Design Application No. 30-2017-0009483; dated Aug. 18, 2017; 6 Pages.

Notice of Decision for Design Registration; Korean Design Application No. 30-2017-0009486; dated Aug. 22, 2017; 6 Pages.

Notice of Decision for Design Registration; Korean Design Application No. 30-2017-0009488; dated Aug. 22, 2017; 6 Pages.

Notice of Preliminary Rejection; Korean Application No. 30-2017-0009484; dated Aug. 18, 2017; 7 Pages.

Notice of Preliminary Rejection; Korean Application No. 30-2017-0009485; dated Aug. 18, 2017; 6 Pages.

Application for Registration of an Industrial Design Examiner's Report; Canadian Application No. 172856; dated Sep. 20, 2017; 2 Pages.

Application for Registration of an Industrial Design Examiner's Report; Canadian Application No. 172857; dated Sep. 20, 2017; 2 Pages.

Japanese Design No. D1545614 (S); dated Mar. 14, 2016; Machine Translation; 6 Pages.

Notice of Allowance; Japanese Application No. 2017-003904; dated Oct. 6, 2017; 4 Pages.

Notice of Allowance; Japanese Application No. 2017-003905; dated Oct. 6, 2017; 4 Pages.

Notice of Allowance; U.S. Appl. No. 29/576,018, filed Aug. 31, 2016; Food Processor and Parts Thereof; dated Oct. 25, 2017; 27 Pages.

Notice of Allowance; U.S. Appl. No. 29/576,020, filed Aug. 31, 2016; Food Processor and Parts Thereof; dated Oct. 16, 2017; 32 Pages.

Requirement for Restriction/Election; Blender; U.S. Appl. No. 29/600,129, filed Apr. 10, 2017; dated Oct. 10, 2017; 30 Pages.

* cited by examiner

Primary Examiner — Ricky Pham
(74) *Attorney, Agent, or Firm* — Cantor Colburn LLP
(57)

CLAIM

The ornamental design for a blender base, as shown and described.

DESCRIPTION

FIG. 1 is a perspective view of an embodiment of a blender base showing our new design;
FIG. 2 is a front elevational view thereof;
FIG. 3 is a rear elevational view thereof;
FIG. 4 is a left side elevational view thereof;
FIG. 5 is a right side elevational view thereof;
FIG. 6 is a top plan view thereof; and,
FIG. 7 is a bottom plan view thereof.
The broken lines in the drawings illustrate part of the container form no part of the claimed design.

1 Claim, 7 Drawing Sheets

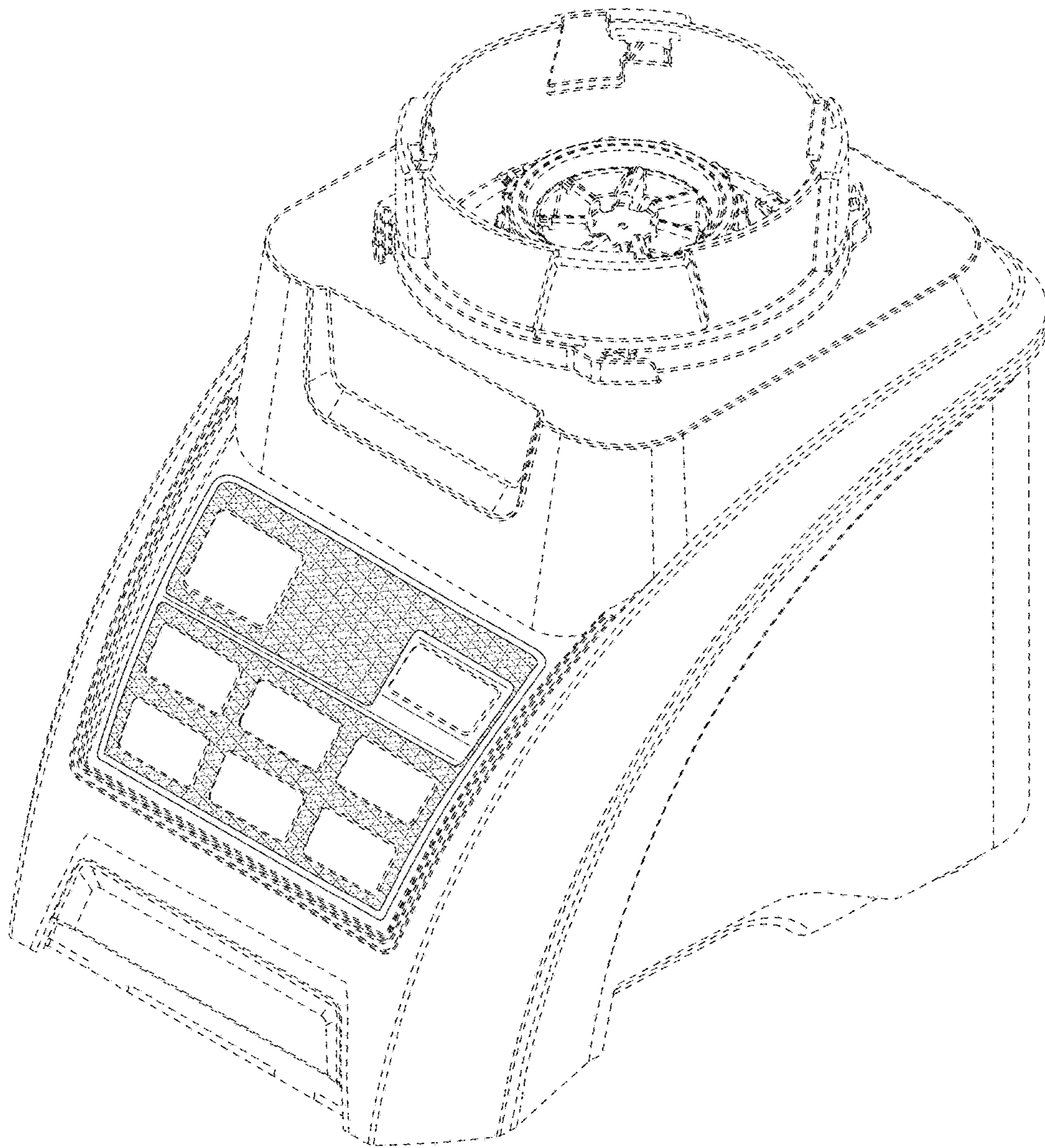


FIG. 1

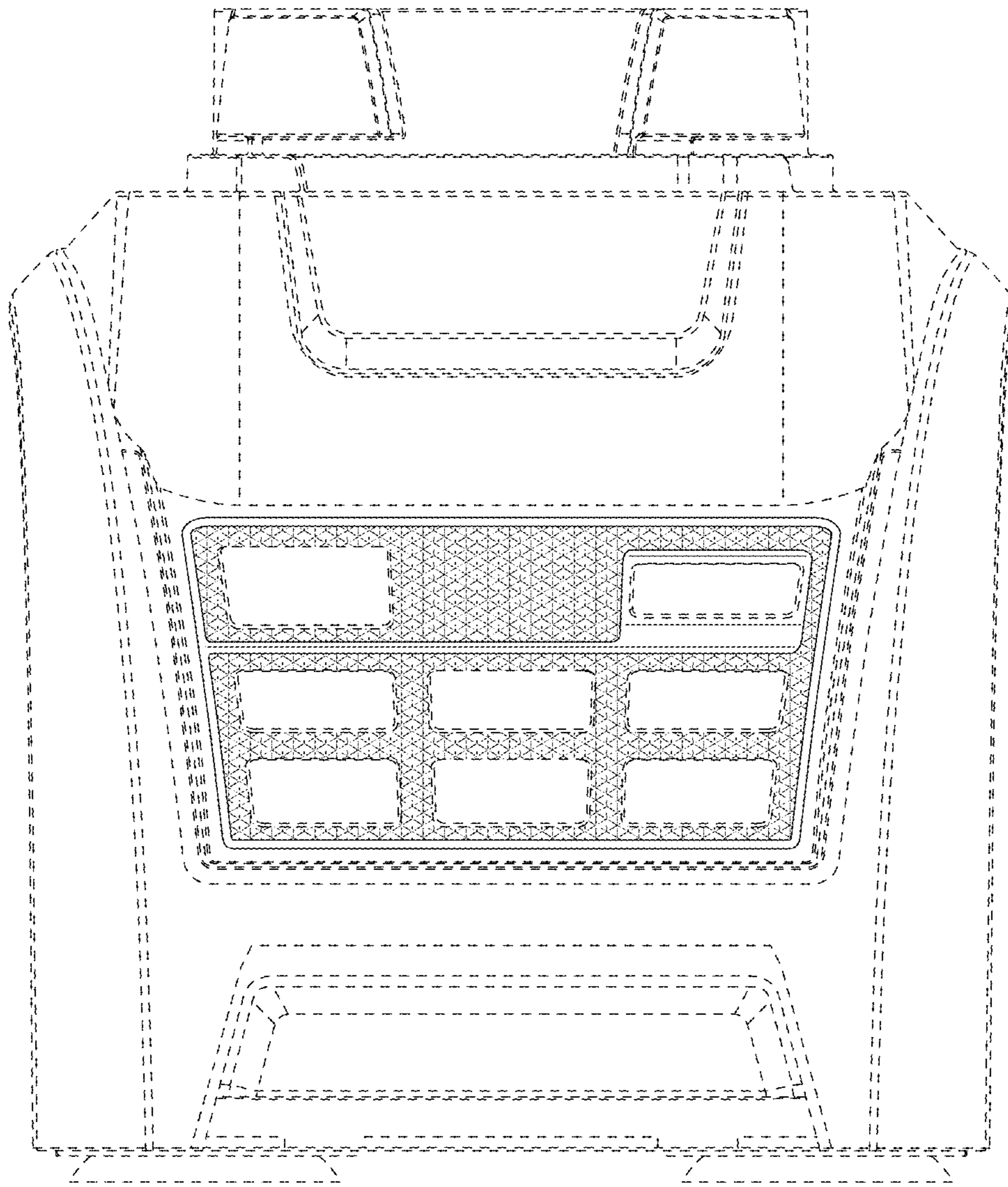


FIG. 2

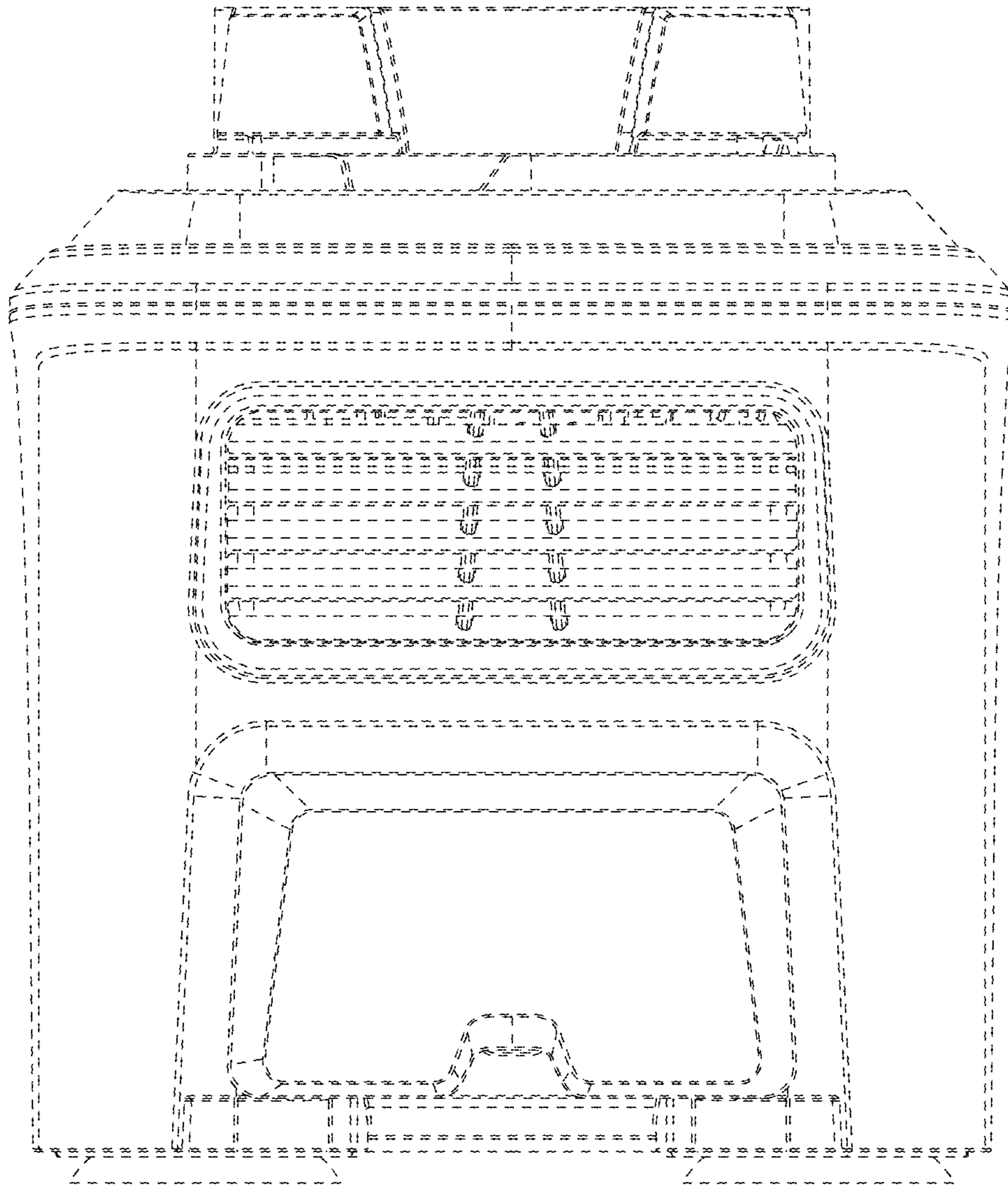


FIG. 3

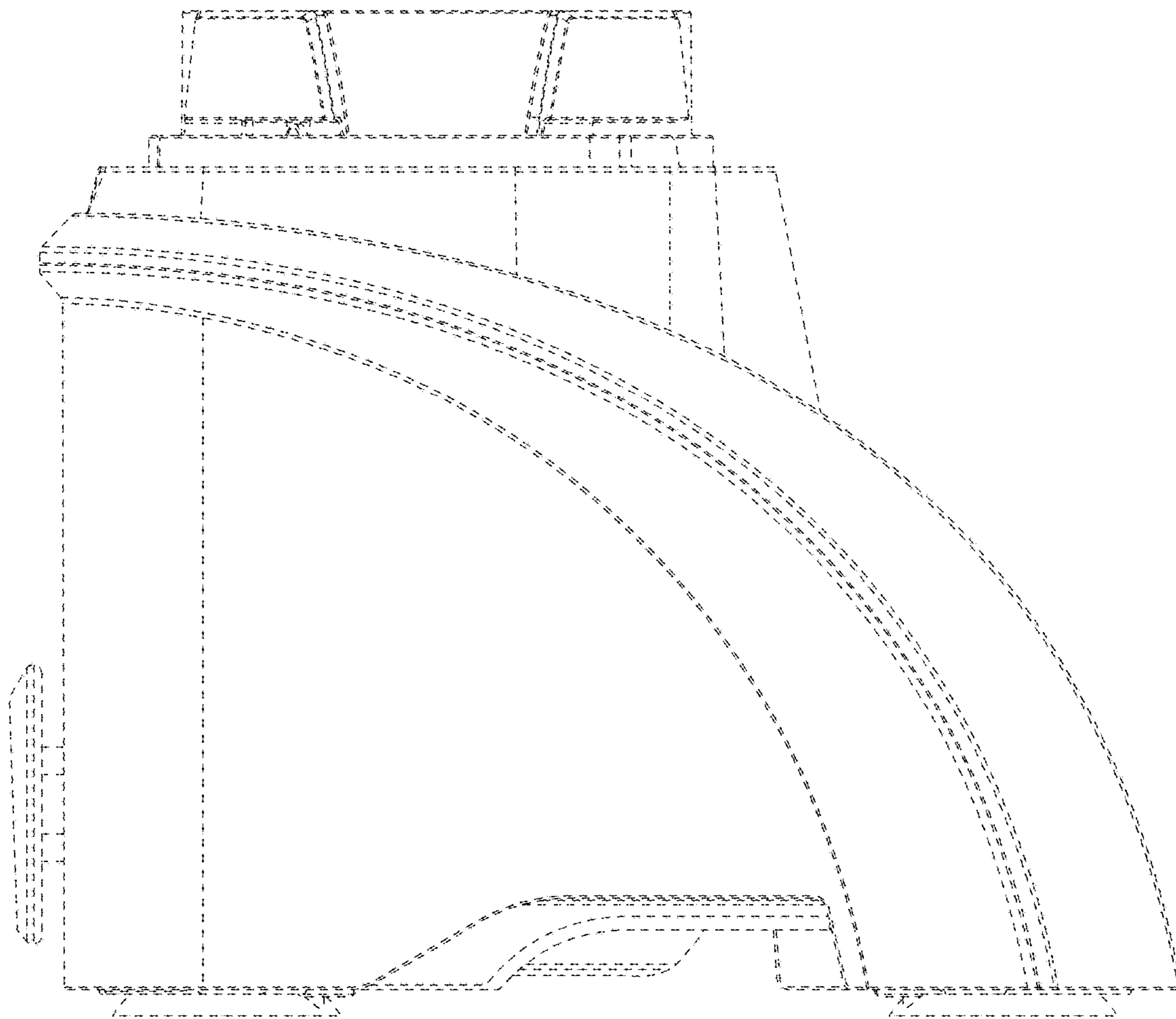


FIG. 4

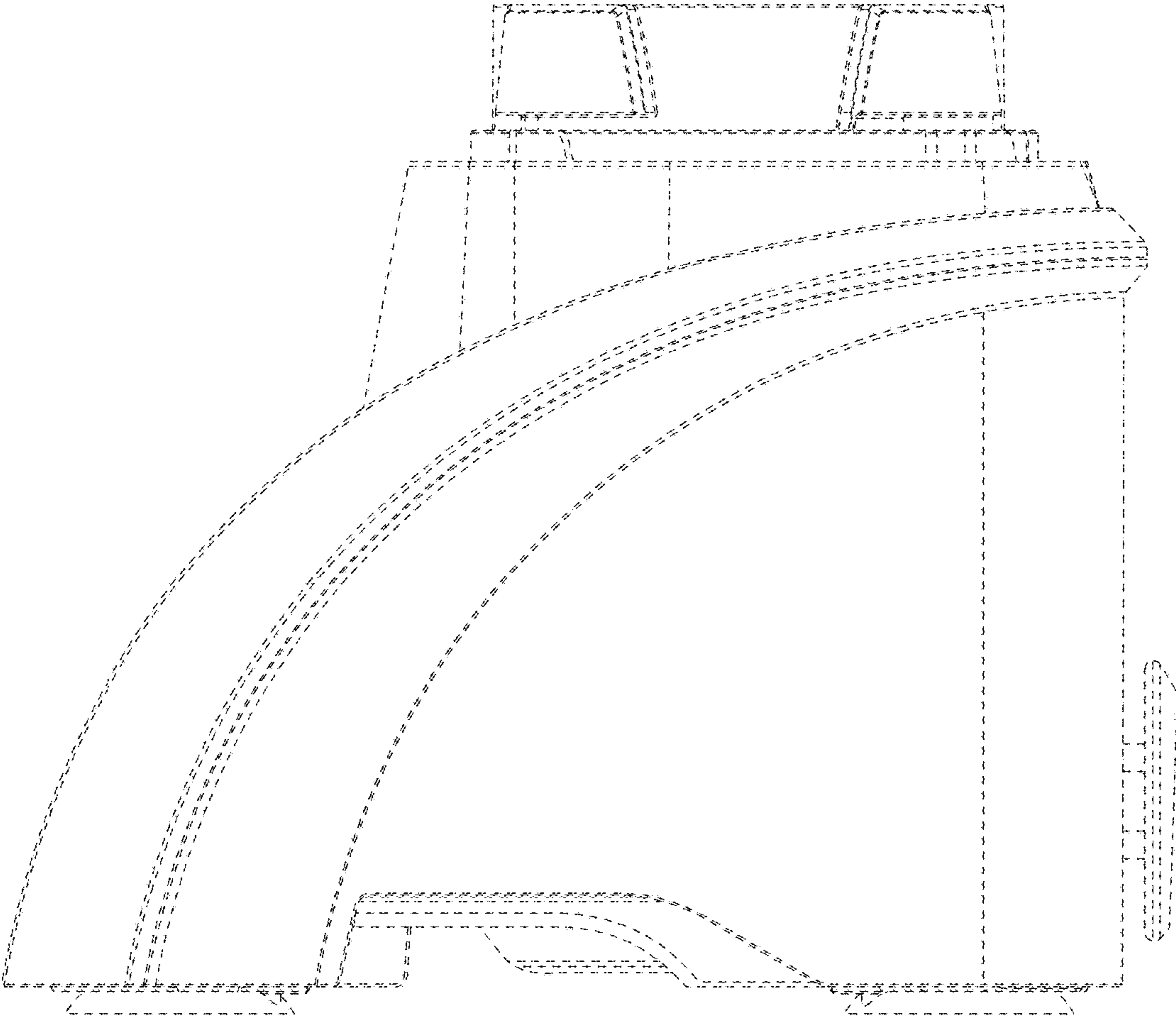


FIG. 5

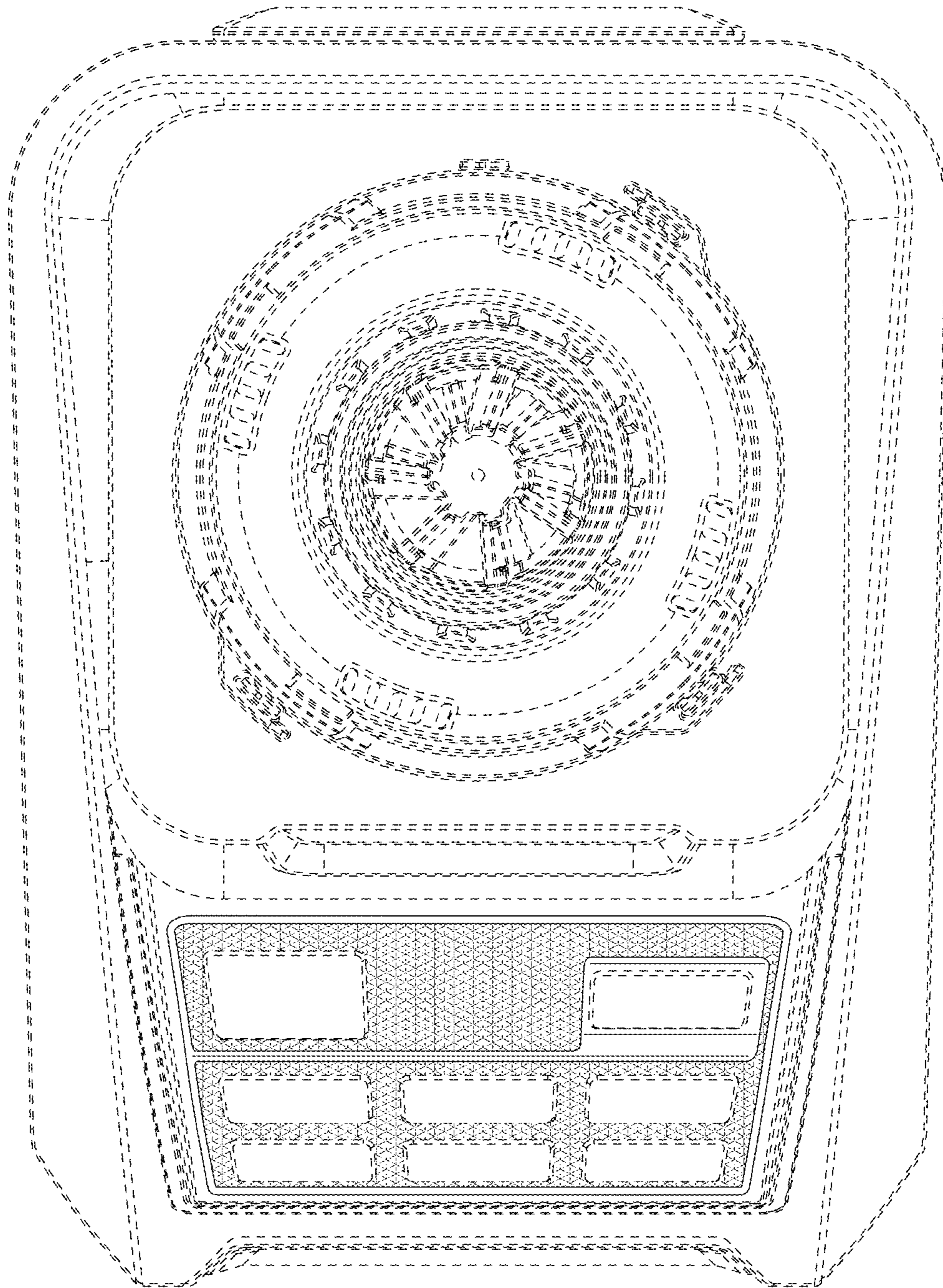


FIG. 6

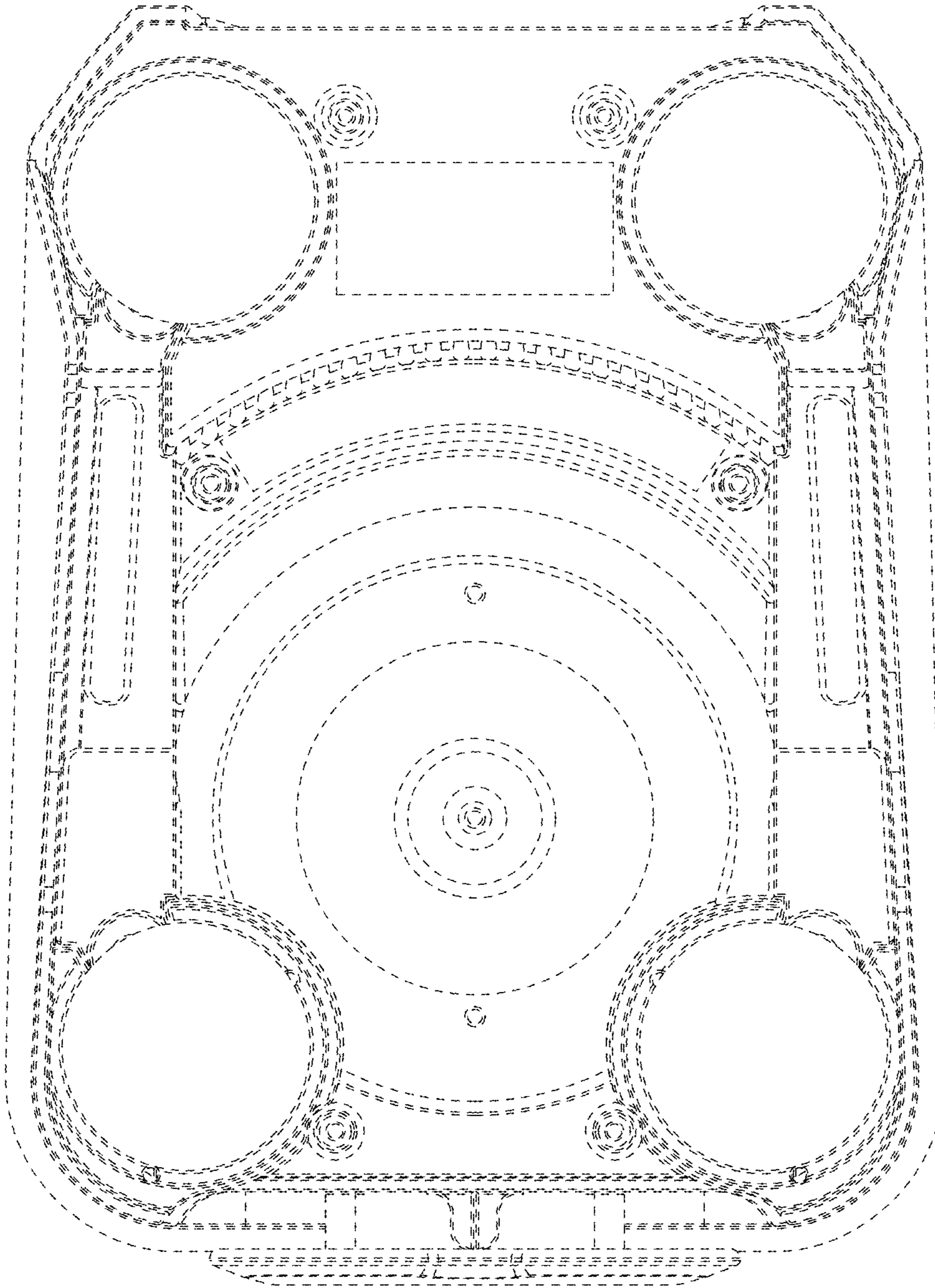


FIG. 7