



US00D823636S

(12) **United States Design Patent**  
**Bloomfield et al.**

(10) **Patent No.:** **US D823,636 S**

(45) **Date of Patent:** **\*\* Jul. 24, 2018**

- (54) **EMULSIFIER**
- (71) Applicant: **Lifetime Brands, Inc.**, Garden City, NY (US)
- (72) Inventors: **Lindsey Bloomfield**, Seattle, WA (US); **Brendan Debusk**, Seattle, WA (US)
- (73) Assignee: **Lifetime Brands, Inc.**, Garden City, NY (US)

(\*\*) Term: **15 Years**

(21) Appl. No.: **29/604,380**

(22) Filed: **May 17, 2017**

(51) **LOC (11) Cl.** ..... **31-00**

(52) **U.S. Cl.**  
USPC ..... **D7/377**

(58) **Field of Classification Search**  
 USPC ..... D7/372, 376–386, 412–413, 602, 629, D7/665–66, 669, 679, 693–694  
 CPC .... A21C 1/02; A21C 1/04; A23N 1/00; A23N 1/02; A47J 43/04; A47J 43/25; A47J 43/27; A47J 43/042; A47J 43/044; A47J 43/046; A47J 43/075; A47J 43/0722; A47J 43/0727; A47J 43/082; B01F 3/00; B01F 3/0807; B01F 3/0853; B01F 13/0059; B01F 13/0064; B02C 1/08; B02C 2/04; B02C 4/42; B02C 4/142; B02C 4/143; B02C 4/423; B02C 13/1835; B28C 5/10; B28C 5/12; B28C 5/14; B28C 5/16

See application file for complete search history.

(56) **References Cited**

**U.S. PATENT DOCUMENTS**

- D181,143 S \* 10/1957 Gundelfinger ..... 366/256
- D187,040 S \* 1/1960 Strauss ..... D7/597
- 3,235,130 A \* 2/1966 Waither ..... A47G 19/24  
222/142.9
- D300,107 S \* 3/1989 Trombly ..... D7/317
- D315,480 S \* 3/1991 Wu ..... D7/679

- 5,597,096 A \* 1/1997 Jeppesen ..... B65D 43/0212  
215/317
- D484,371 S \* 12/2003 Tang ..... D7/679
- D530,968 S \* 10/2006 Bodum ..... D7/300.1
- D580,702 S \* 11/2008 Holcomb ..... D7/377
- D609,535 S \* 2/2010 Kavanaugh ..... D7/679
- D676,713 S \* 2/2013 Jalet ..... D7/598
- D682,605 S \* 5/2013 Krus ..... D7/376
- D698,250 S \* 1/2014 Wade ..... D9/435

(Continued)

**OTHER PUBLICATIONS**

Chef'n® Emulstir™ Emulsifier and Salad Dressing Mixer, reviewed Sep. 26, 2016 [online], retrieved Feb. 27, 2018, retrieved from internet, <<https://www.bedbathandbeyond.com/store/product/chef-39-n-reg-emulstir-emulsifier-and-salad-dressing-mixer/1016036528>>.\*

(Continued)

*Primary Examiner* — Barbara Fox  
*Assistant Examiner* — Messina L Smith  
(74) *Attorney, Agent, or Firm* — Seed Intellectual Property Law Group LLP

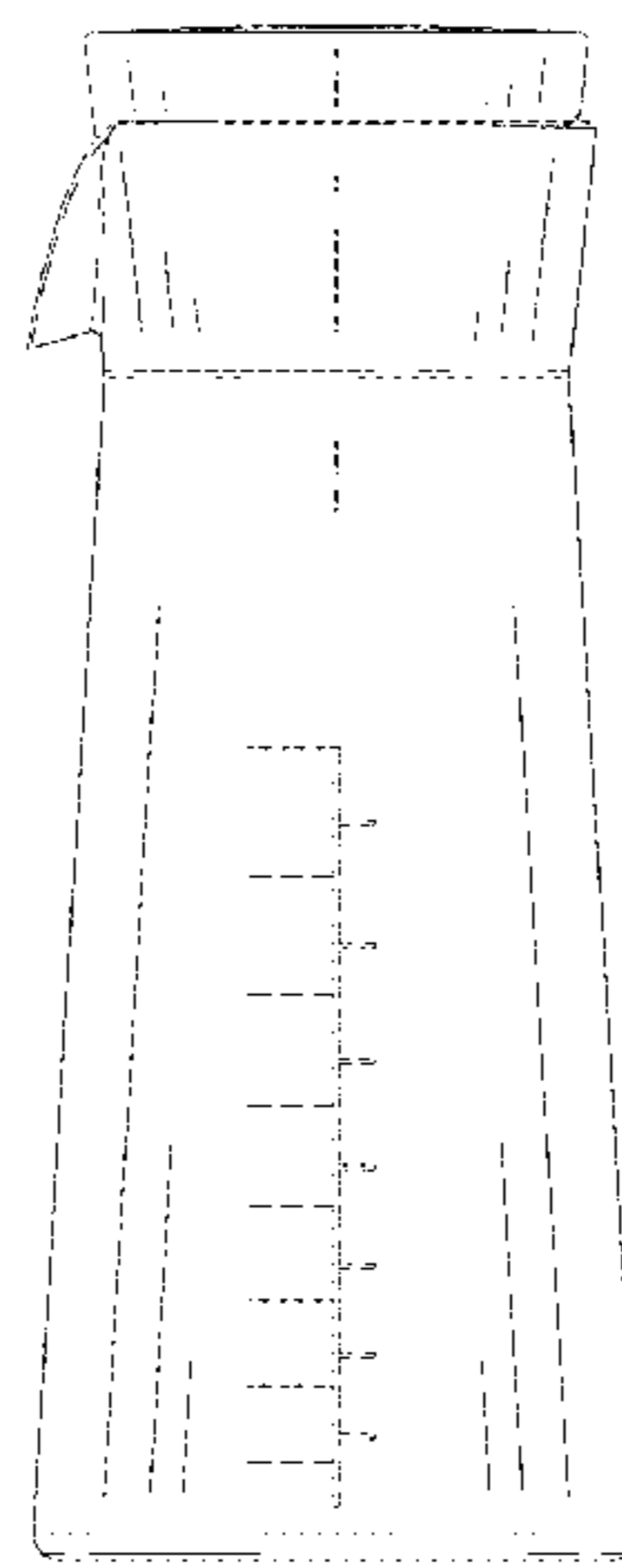
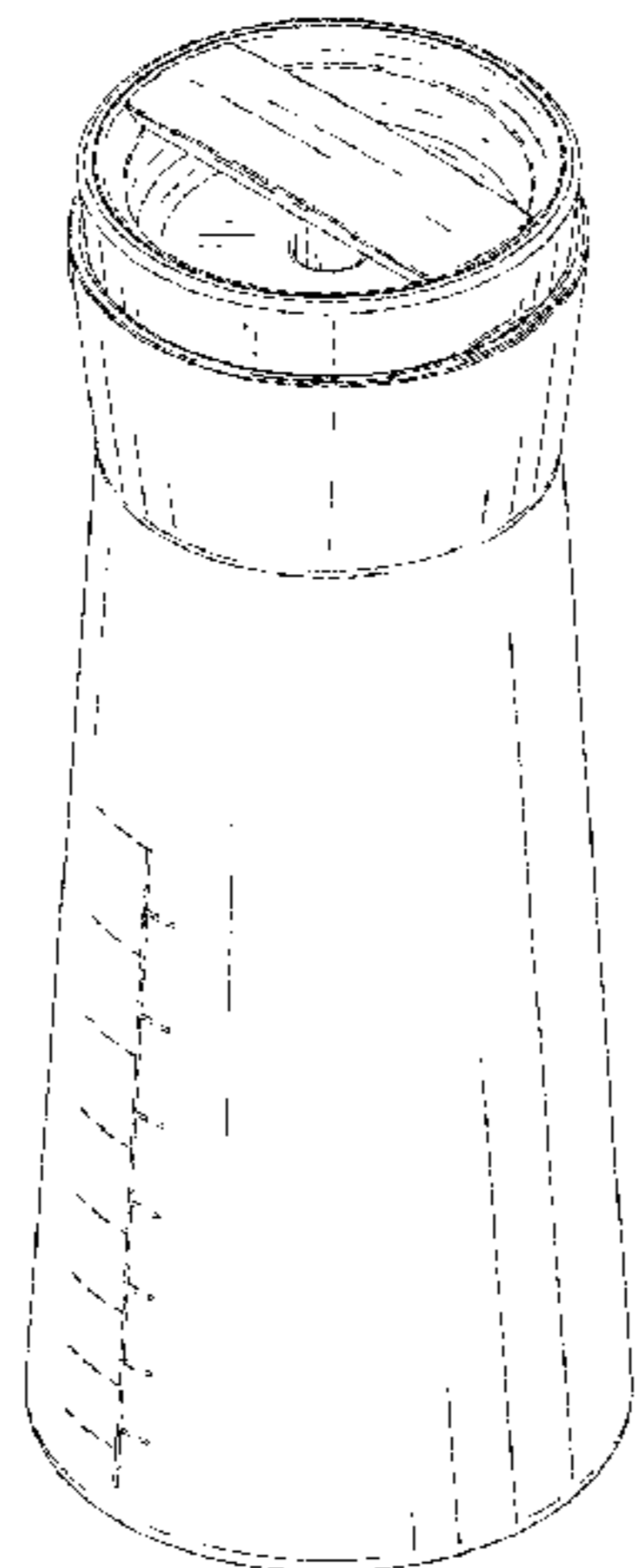
(57) **CLAIM**

The ornamental design for an emulsifier, as shown and described.

**DESCRIPTION**

FIG. 1 is a top perspective view of an emulsifier showing my new design.  
FIG. 2 is a bottom perspective view thereof.  
FIG. 3 is a left side elevational view thereof.  
FIG. 4 is a right side elevational view thereof.  
FIG. 5 is a front elevational view thereof.  
FIG. 6 is a rear elevational view thereof.  
FIG. 7 is a top plan view thereof; and,  
FIG. 8 is a bottom plan view thereof.  
The broken lines in the drawings depict portions of the emulsifier that form no part of the claimed design.

**1 Claim, 5 Drawing Sheets**



(56)

**References Cited**

U.S. PATENT DOCUMENTS

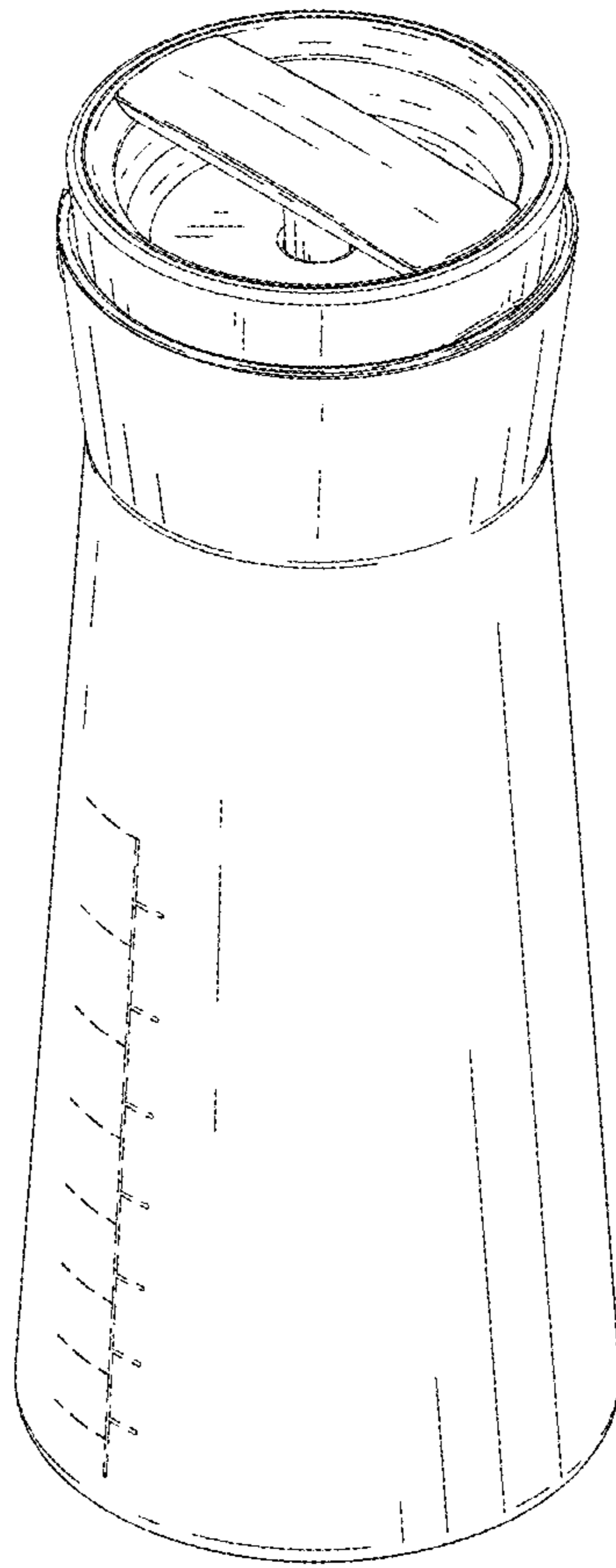
D746,691 S \* 1/2016 Uchida ..... D9/504  
D756,700 S \* 5/2016 Warman ..... D7/373  
D804,917 S \* 12/2017 Treacy ..... D7/669  
D807,595 S \* 1/2018 Valle ..... D30/199

OTHER PUBLICATIONS

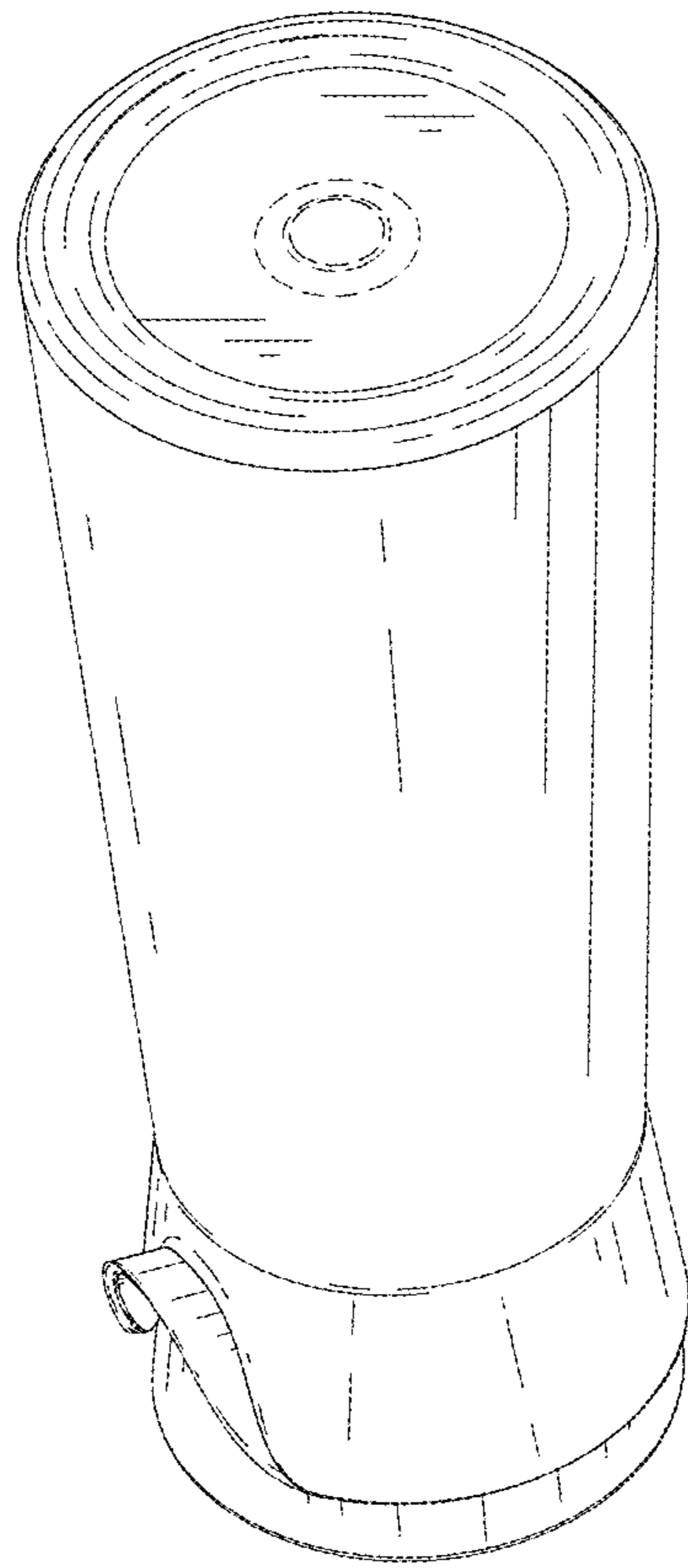
19 oz. Dressing Shaker, reviewed Apr. 14, 2016 [online], retrieved Feb. 27, 2018, retrieved from internet, <<https://www.bedbathandbeyond.com/store/product/19-oz-dressing-shaker/1047492677>>.\*

Jokari Salad Dressing Cruet, posted 2002-2018 [online], retrieved Feb. 27, 2018, retrieved from internet, <<https://www.everythingkitchens.com/jokari-salad-dressing-cruet-229852.html>>.\*

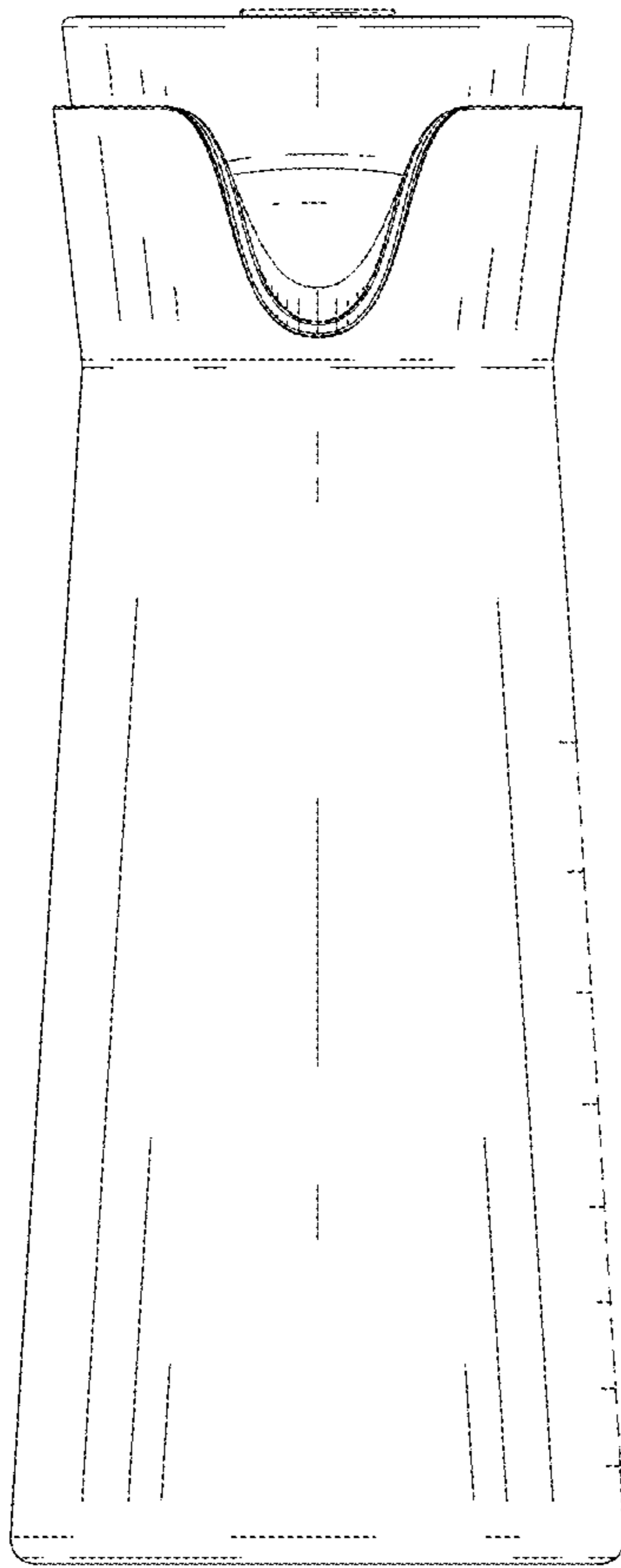
\* cited by examiner



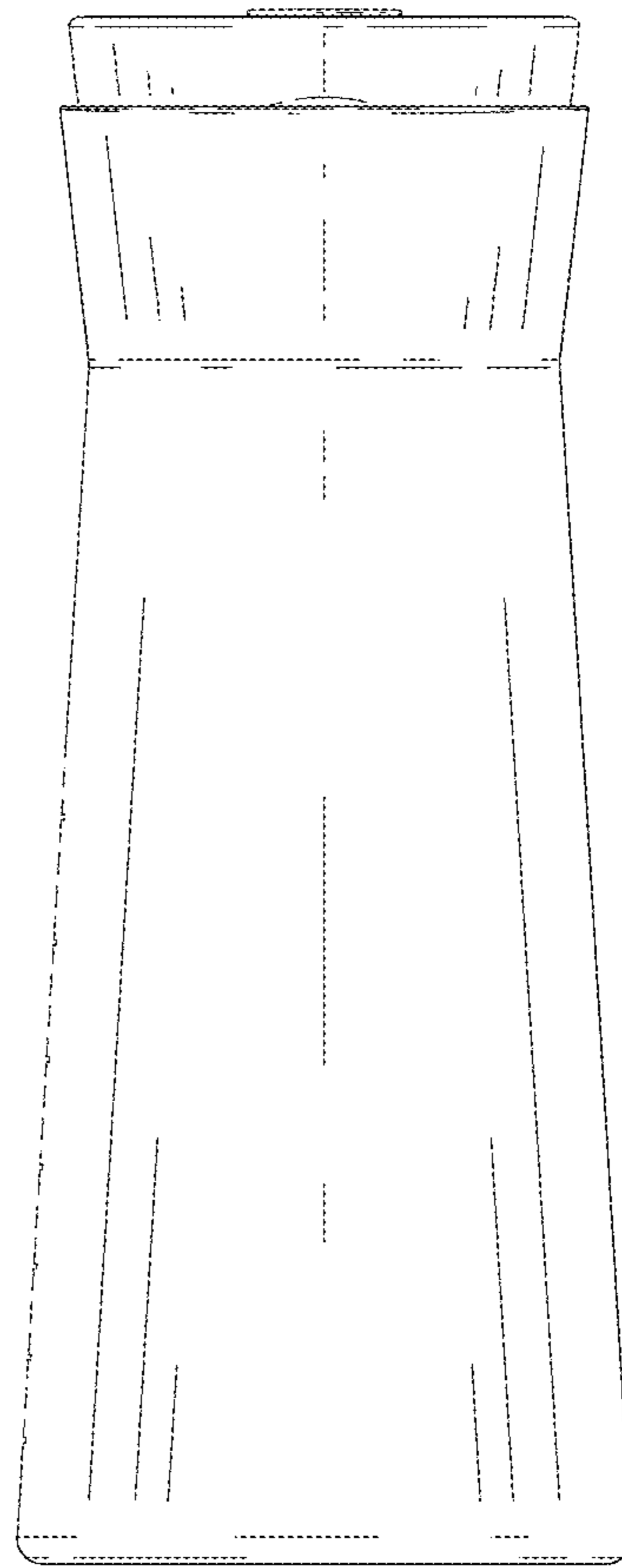
*FIG. 1*



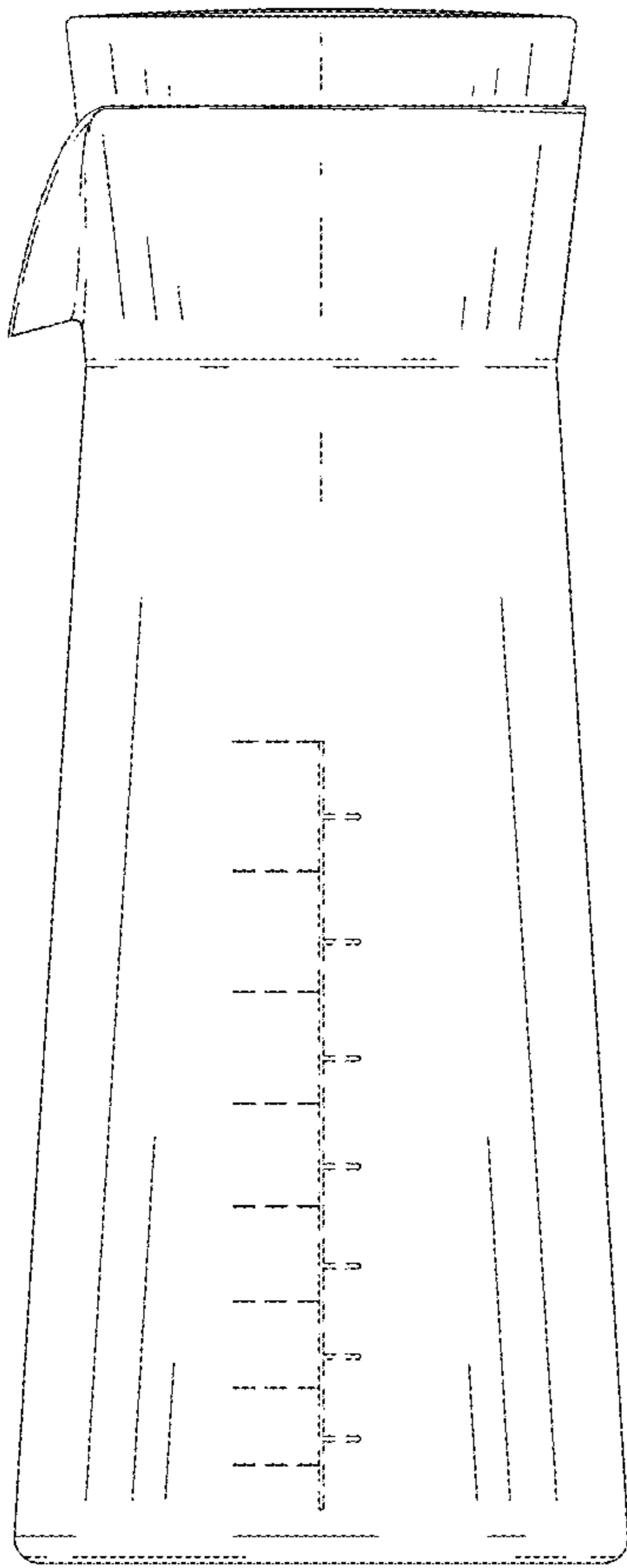
*FIG. 2*



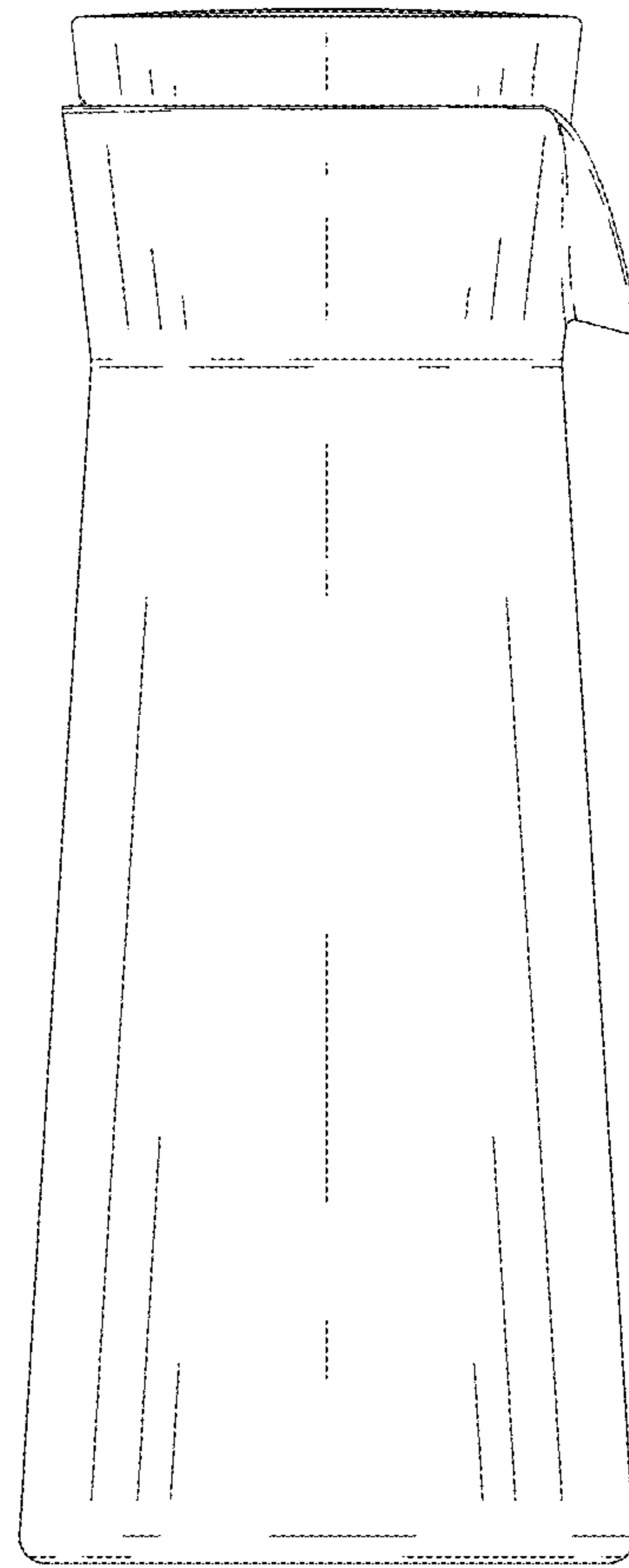
*FIG. 3*



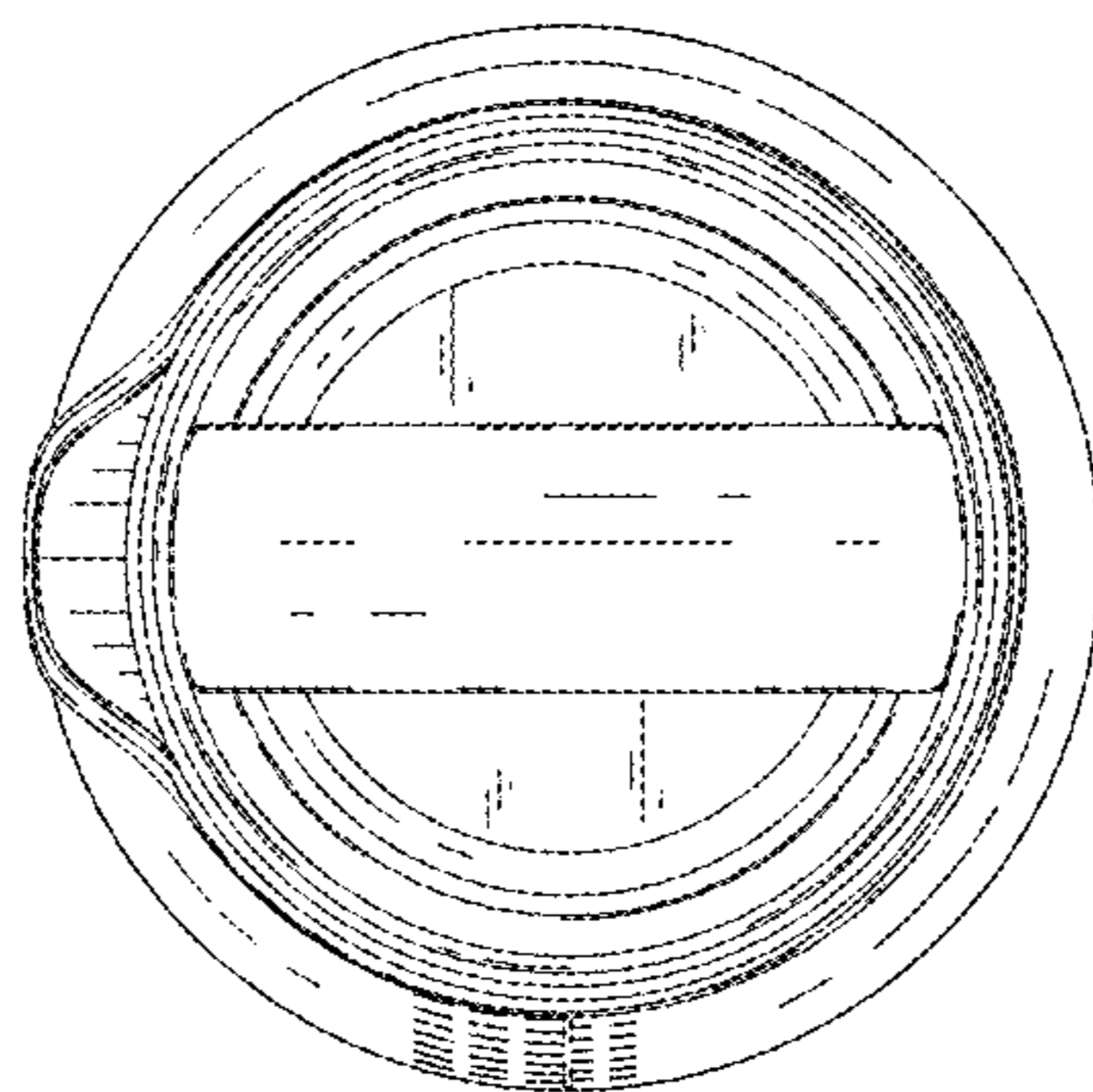
*FIG. 4*



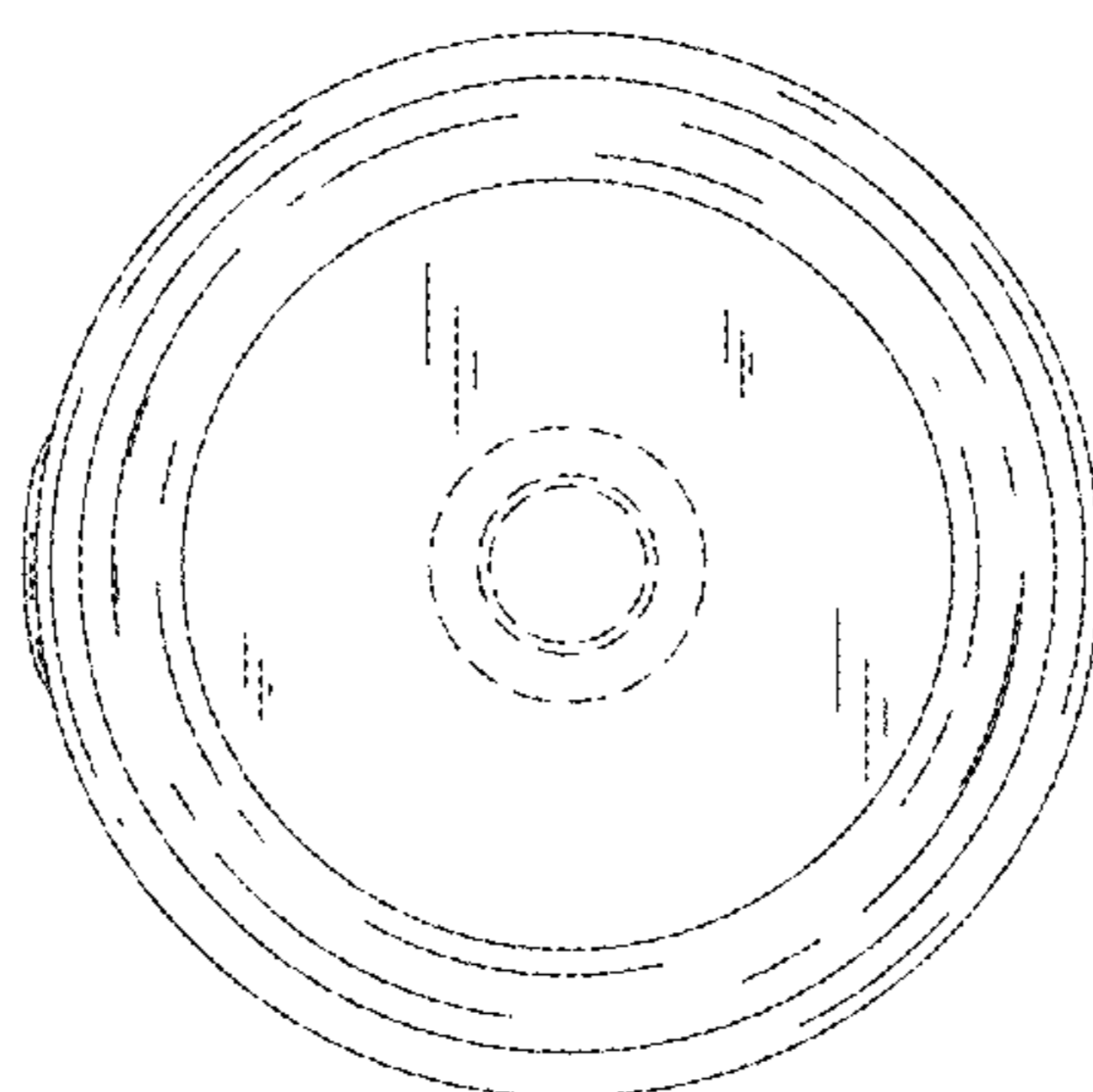
*FIG. 5*



*FIG. 6*



*FIG. 7*



*FIG. 8*