



US00D823635S

(12) **United States Design Patent** (10) **Patent No.:** **US D823,635 S**
Gabbay (45) **Date of Patent:** **** Jul. 24, 2018**

(54) **BUTTERFLY PAN**
(71) Applicant: **Soleiman Gabbay**, Commerce, CA (US)
(72) Inventor: **Soleiman Gabbay**, Commerce, CA (US)
(73) Assignee: **GIBSON OVERSEAS INC.**, Commerce, CA (US)
(**) Term: **14 Years**
(21) Appl. No.: **29/514,088**
(22) Filed: **Feb. 25, 2015**
(51) **LOC (11) Cl.** **07-02**
(52) **U.S. Cl.**
USPC **D7/361; D7/354**
(58) **Field of Classification Search**
USPC D2/608, 712; D6/564; D7/323, D7/354-363, 391, 393-396, 409; D24/125; D26/73
CPC A47G 19/12; A47J 27/00; A47J 27/002; A47J 27/08; A47J 27/21; A47J 27/58; A47J 36/025; A47J 36/06; A47J 36/12; A47J 37/00; A47J 37/10; A47J 37/101; A47J 37/103; A47J 37/12; A47J 37/1204; A47J 45/061; A47J 45/071; A47J 45/08; H05B 6/12

See application file for complete search history.

(56) **References Cited**

U.S. PATENT DOCUMENTS

D377,438 S *	1/1997	Brunianyn	D7/361
D483,483 S *	12/2003	Woon	D24/125
D540,110 S *	4/2007	Nichols	D7/354
D555,418 S *	11/2007	Cheng	D7/354
D628,851 S *	12/2010	Bergne	D7/354
D637,432 S *	5/2011	Clavette	D3/271.11
D661,459 S *	6/2012	Butler	D2/608
D682,453 S *	5/2013	Glenn	D26/68
D724,819 S *	3/2015	Wexler	D2/712
D755,559 S *	5/2016	Gabbay	D7/354
D756,162 S *	5/2016	Gabbay	D7/354
D756,163 S *	5/2016	Gabbay	D7/354
D758,123 S *	6/2016	Gabbay	D7/354

* cited by examiner

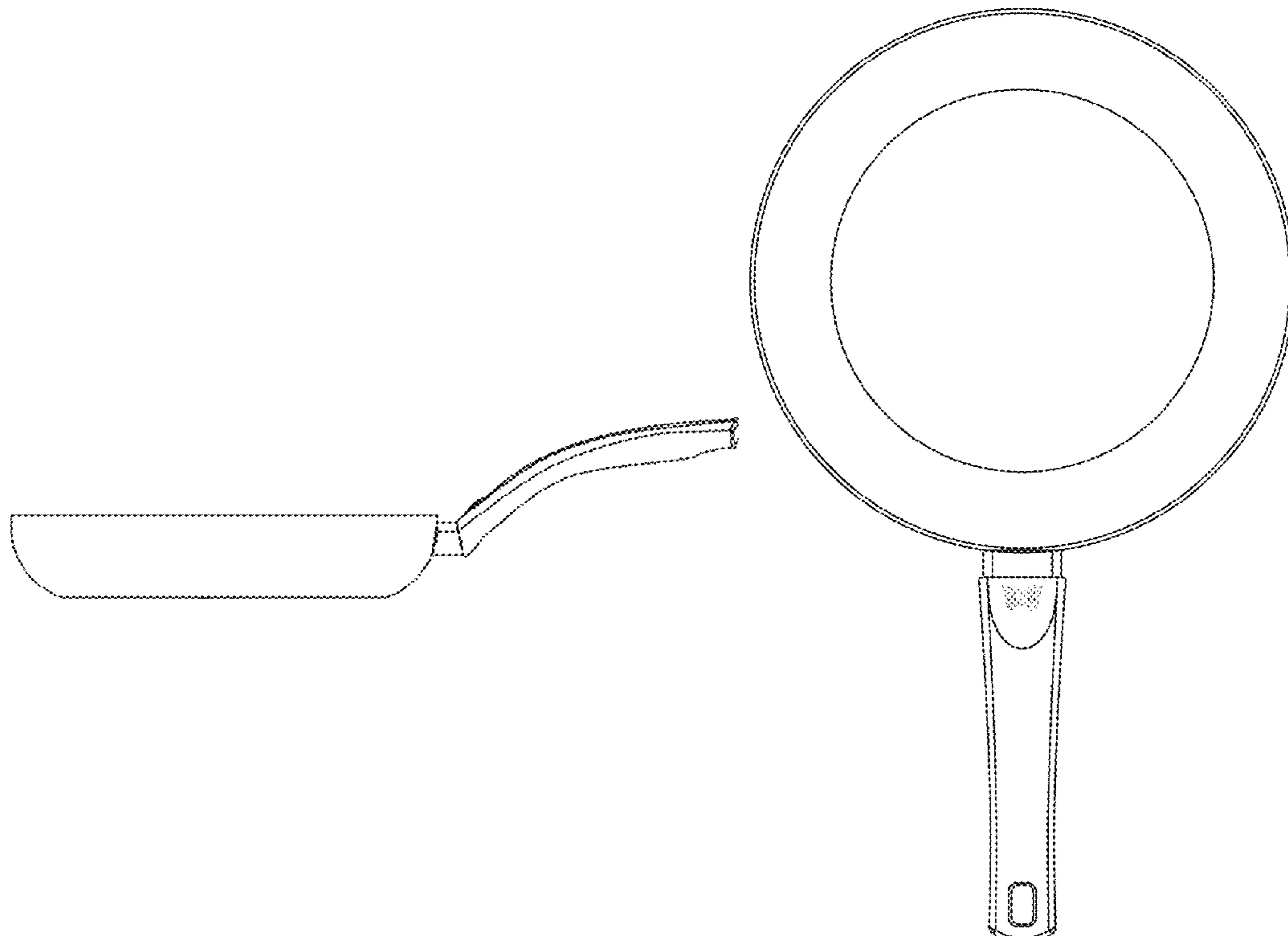
Primary Examiner — Ricky Pham

(57) **CLAIM**
The ornamental design for a butterfly pan, as shown and described.

DESCRIPTION

FIG. 1 is the front view of a butterfly pan showing my new design;
FIG. 2 is the rear view thereof;
FIG. 3 is the left side elevation view thereof;
FIG. 4 is the right side elevation view thereof;
FIG. 5 is the top plan view thereof; and,
FIG. 6 is the bottom plan view thereof.

1 Claim, 5 Drawing Sheets



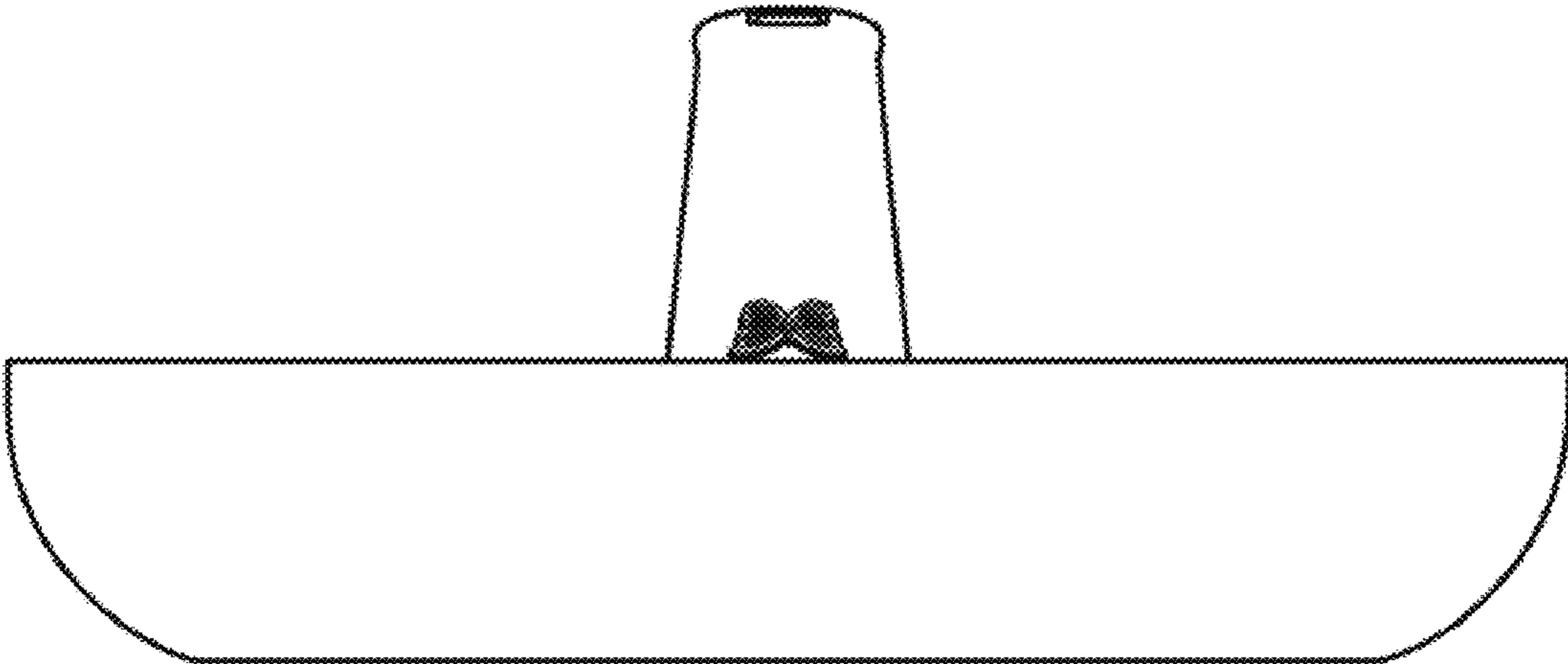


Fig. 1

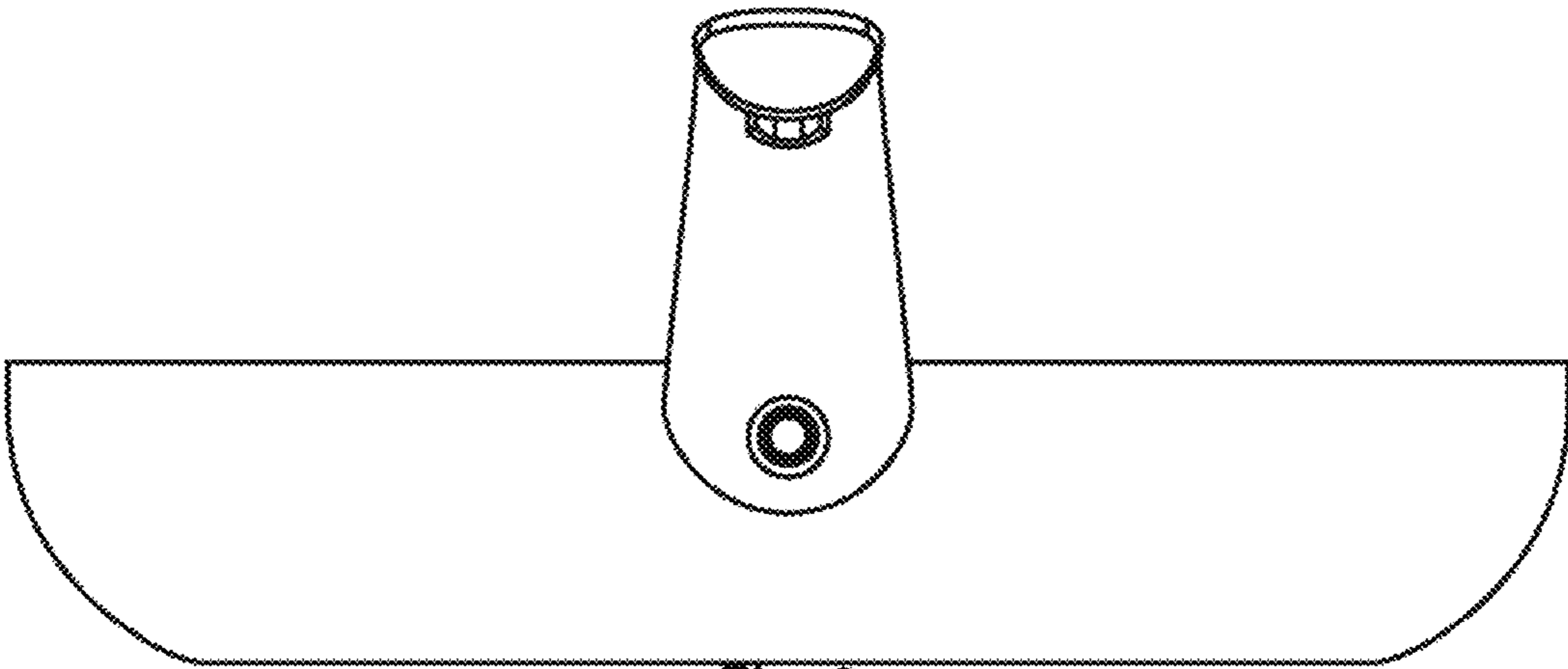


Fig. 2

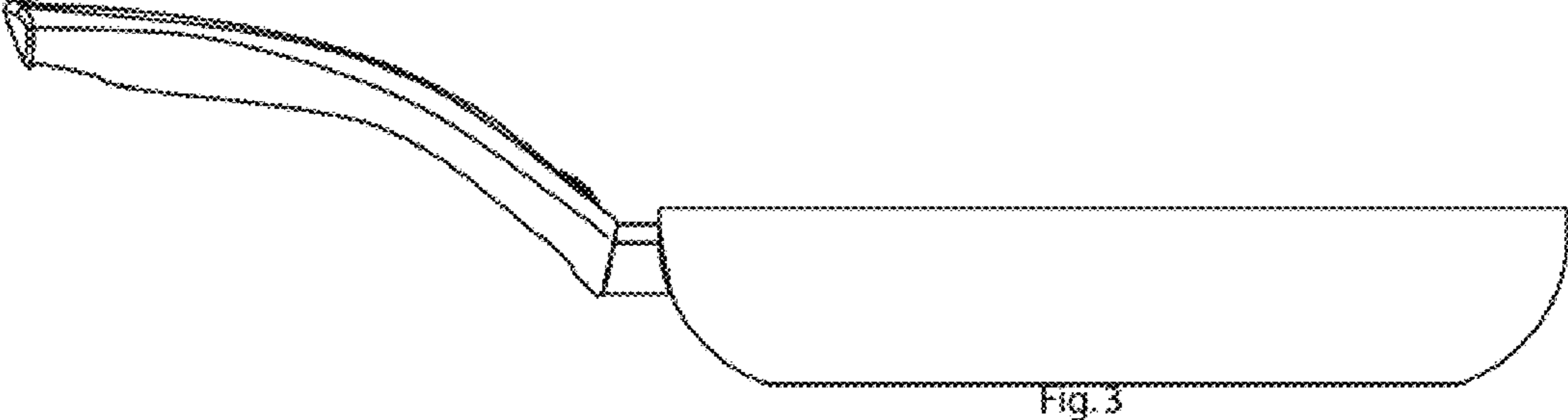


Fig. 3

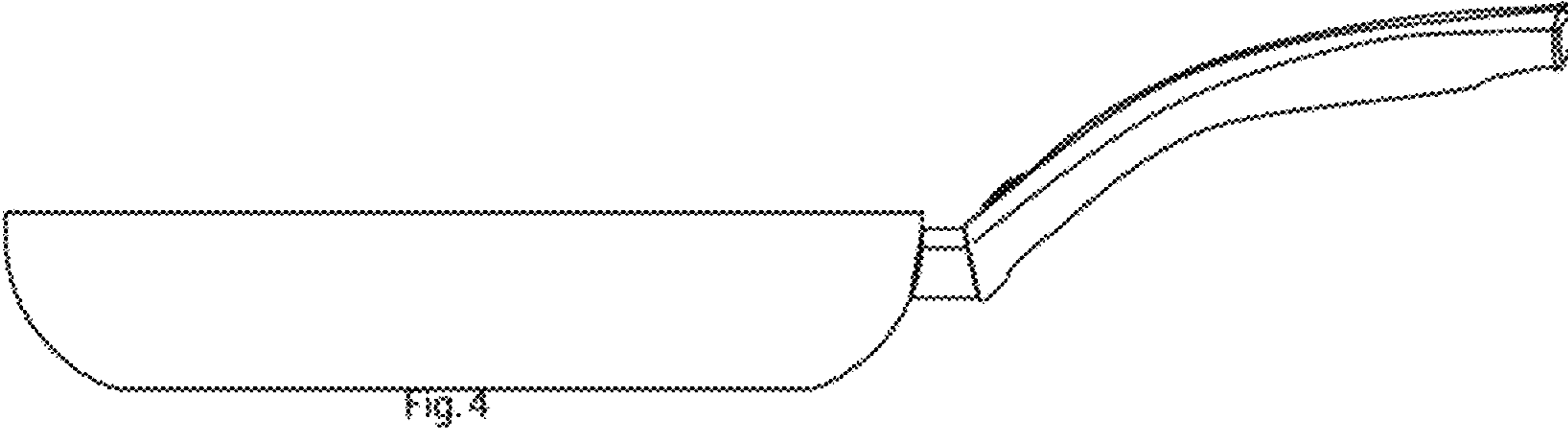


Fig. 4

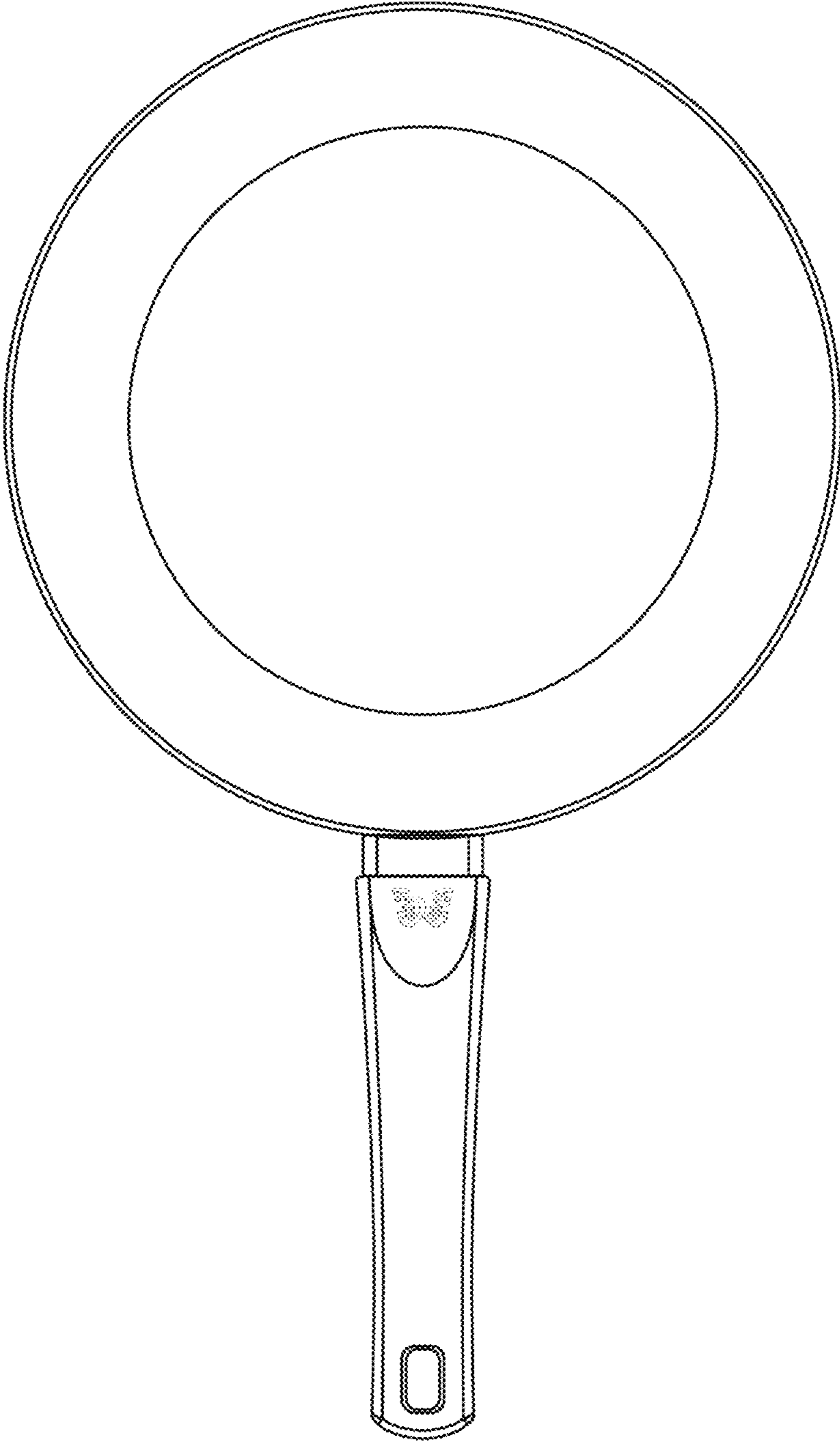


Fig. 5

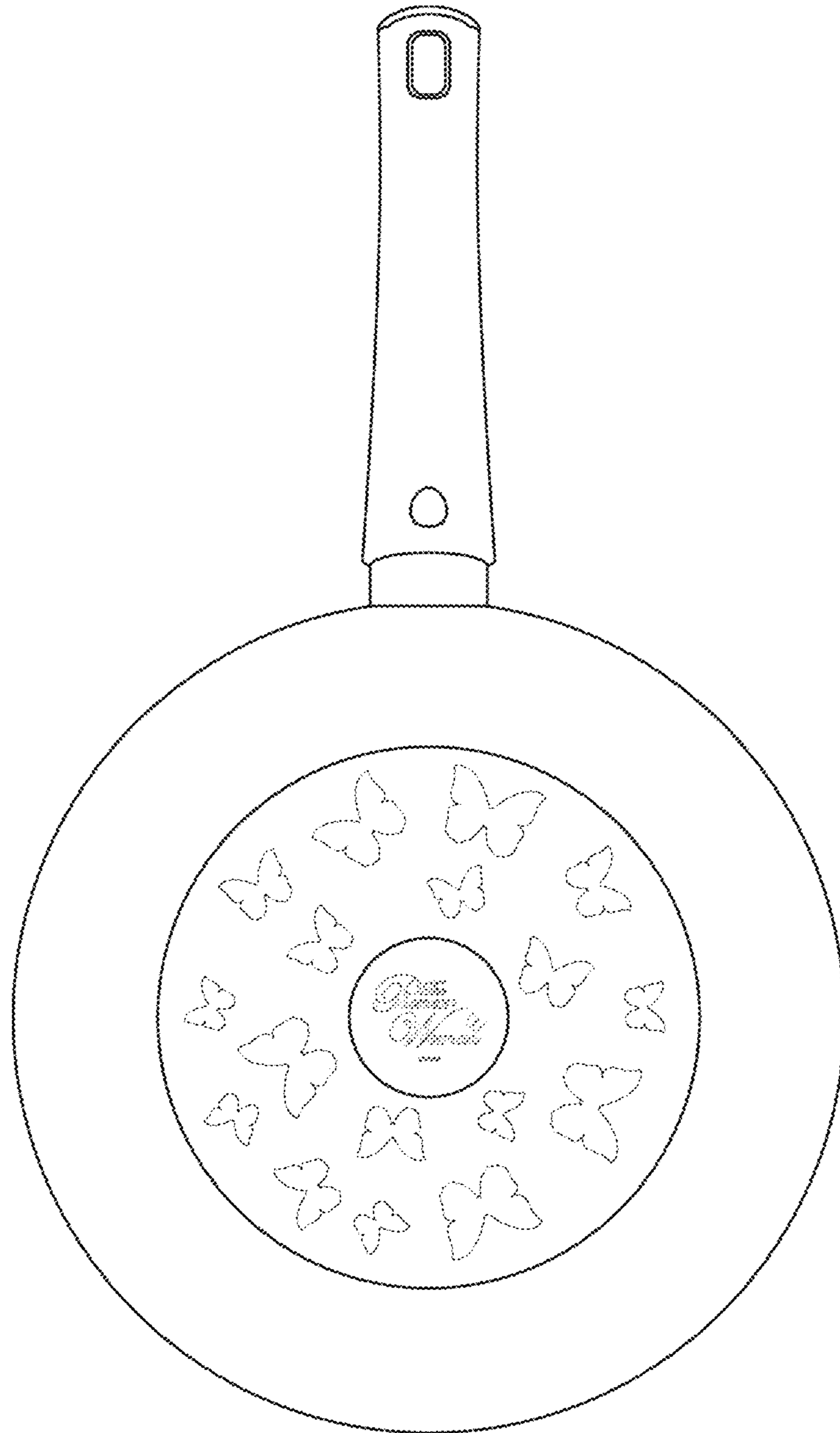


Fig. 6