



US00D823634S

(12) **United States Design Patent**
Miyawaki

(10) **Patent No.:** **US D823,634 S**

(45) **Date of Patent:** **** Jul. 24, 2018**

(54) **ELECTRIC RICE COOKER**

(71) Applicant: **IRIS OHYAMA INC.**, Sendai-shi,
Miyagi (JP)

(72) Inventor: **Masayuki Miyawaki**, Kakuda (JP)

(73) Assignee: **IRIS OHYAMA INC.**, Sendai-shi (JP)

(**) Term: **15 Years**

(21) Appl. No.: **29/618,252**

(22) Filed: **Sep. 20, 2017**

(30) **Foreign Application Priority Data**

Apr. 25, 2017 (JP) 2017-008836

(51) **LOC (11) Cl.** **07-02**

(52) **U.S. Cl.**
USPC **D7/354**

(58) **Field of Classification Search**

USPC D7/323, 354-361
CPC .. A47J 27/00; A47J 27/04; A47J 27/05; A47J
27/08; A47J 27/09; A47J 27/092; A47J
36/025; A47J 36/06; A47J 36/08; A47J
36/10; A47J 36/12; A47J 37/12; A47J
37/1204; A47J 37/1209; H05B 6/02;
H05B 6/06; H05B 6/12

See application file for complete search history.

(56) **References Cited**

U.S. PATENT DOCUMENTS

D330,825 S * 11/1992 Sekita D7/354
D410,815 S * 6/1999 Oger D7/354

D475,570 S * 6/2003 Josancy D7/354
D505,293 S * 5/2005 Jung D7/354
D604,092 S * 11/2009 Kotani D7/354
D637,452 S * 5/2011 Nakatani D7/354
D641,586 S * 7/2011 Martin D7/354
D684,806 S * 6/2013 Nakatani D7/354
D698,593 S * 2/2014 Ishikawa D7/354
D698,594 S * 2/2014 Ishikawa D7/354
D712,695 S * 9/2014 Horimoto D7/354
D715,090 S * 10/2014 Lin D7/354
D765,460 S * 9/2016 Akiyama D7/354

* cited by examiner

Primary Examiner — Ricky Pham

(74) *Attorney, Agent, or Firm* — Studebaker & Brackett
PC

(57) **CLAIM**

The ornamental design for an electric rice cooker, as shown
and described.

DESCRIPTION

FIG. 1 is a front, top and right-side perspective view of an
electric rice cooker showing my new design;
FIG. 2 is a front view thereof;
FIG. 3 is a rear view thereof;
FIG. 4 is a top view thereof;
FIG. 5 is a bottom view thereof;
FIG. 6 is a right-side view thereof;
FIG. 7 is a left-side view thereof; and,
FIG. 8 is a cross-sectional view taken along line A-A in FIG.
2.

1 Claim, 8 Drawing Sheets

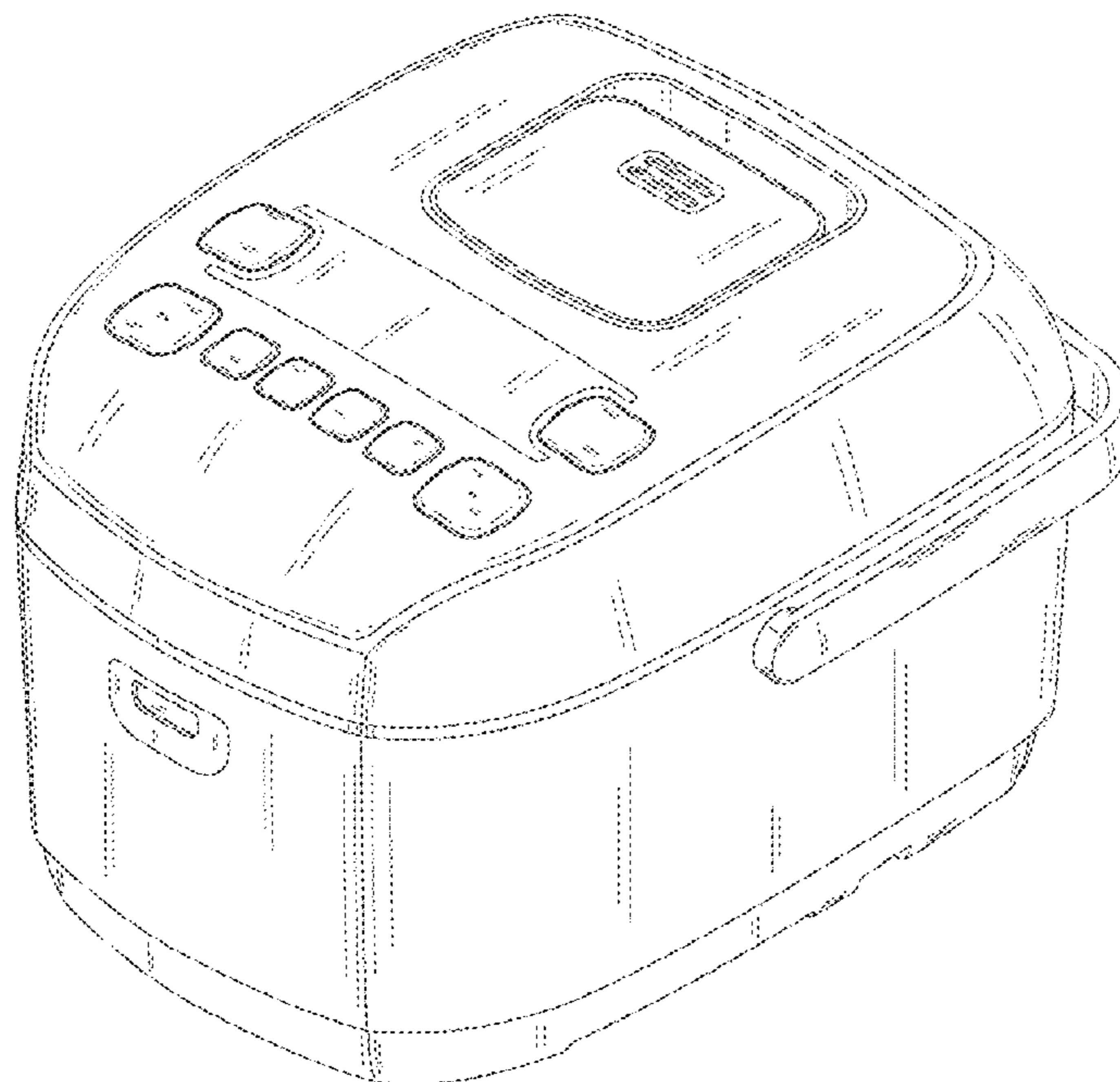


FIG. 1

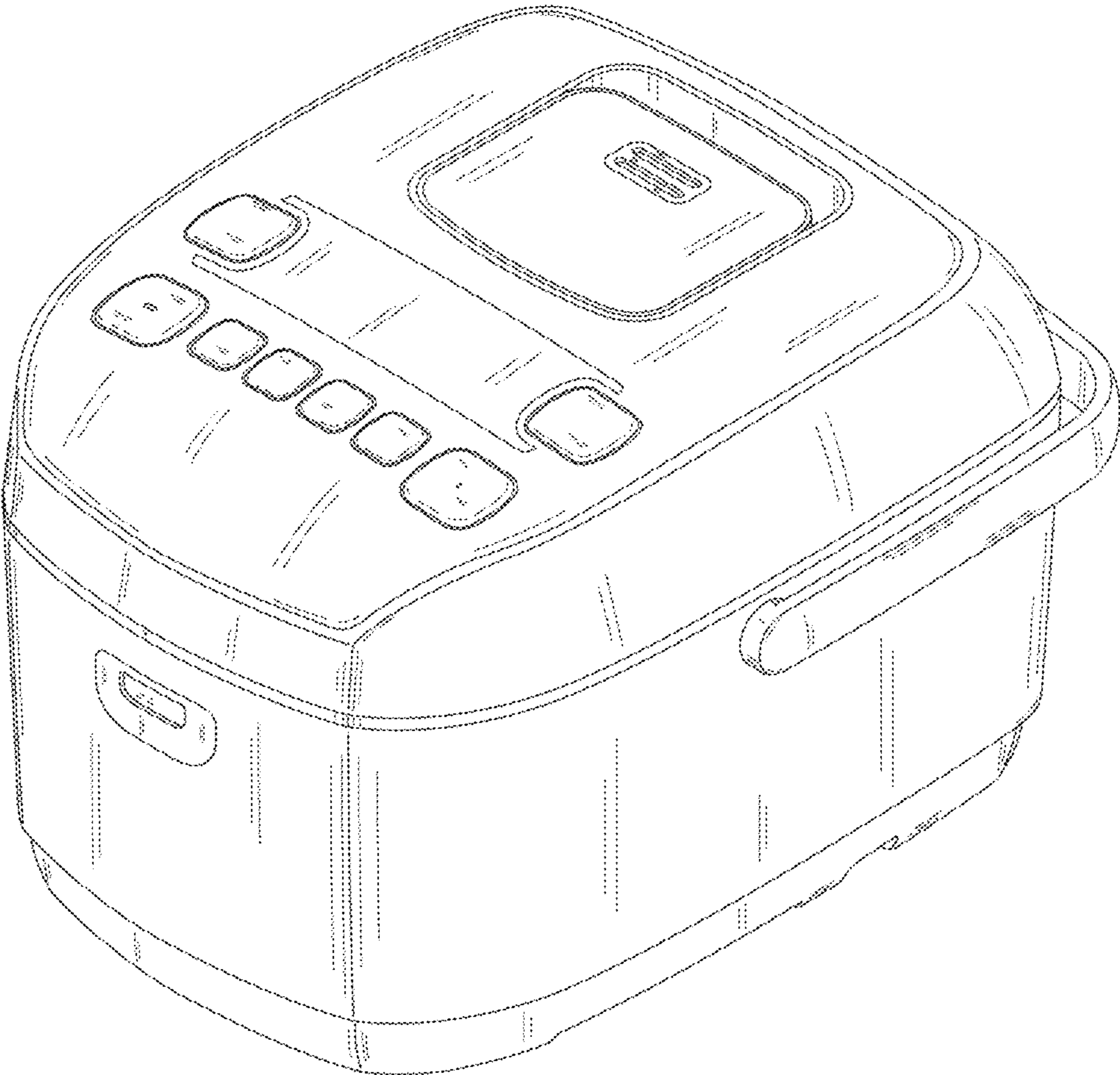


FIG. 2

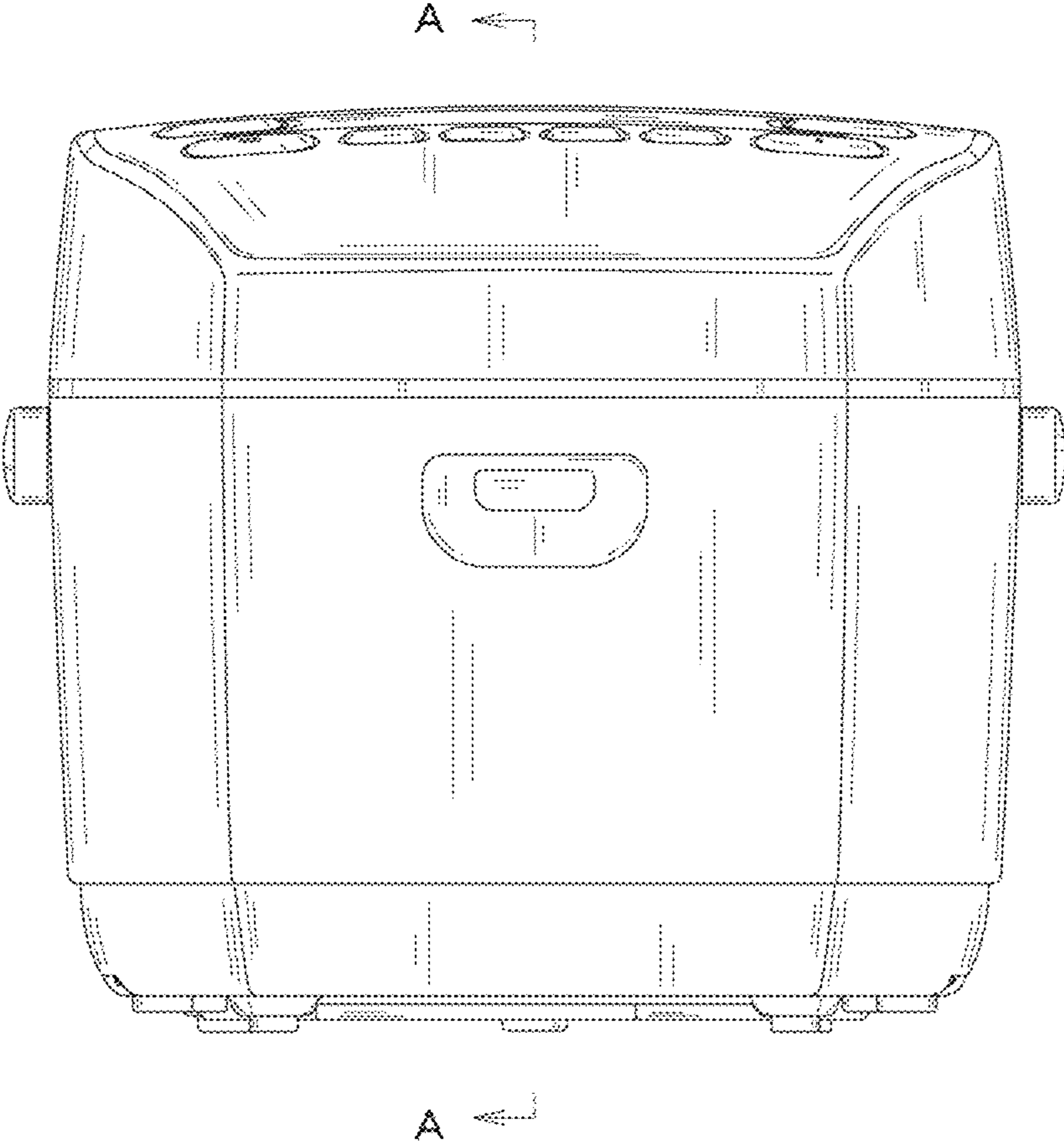


FIG. 3

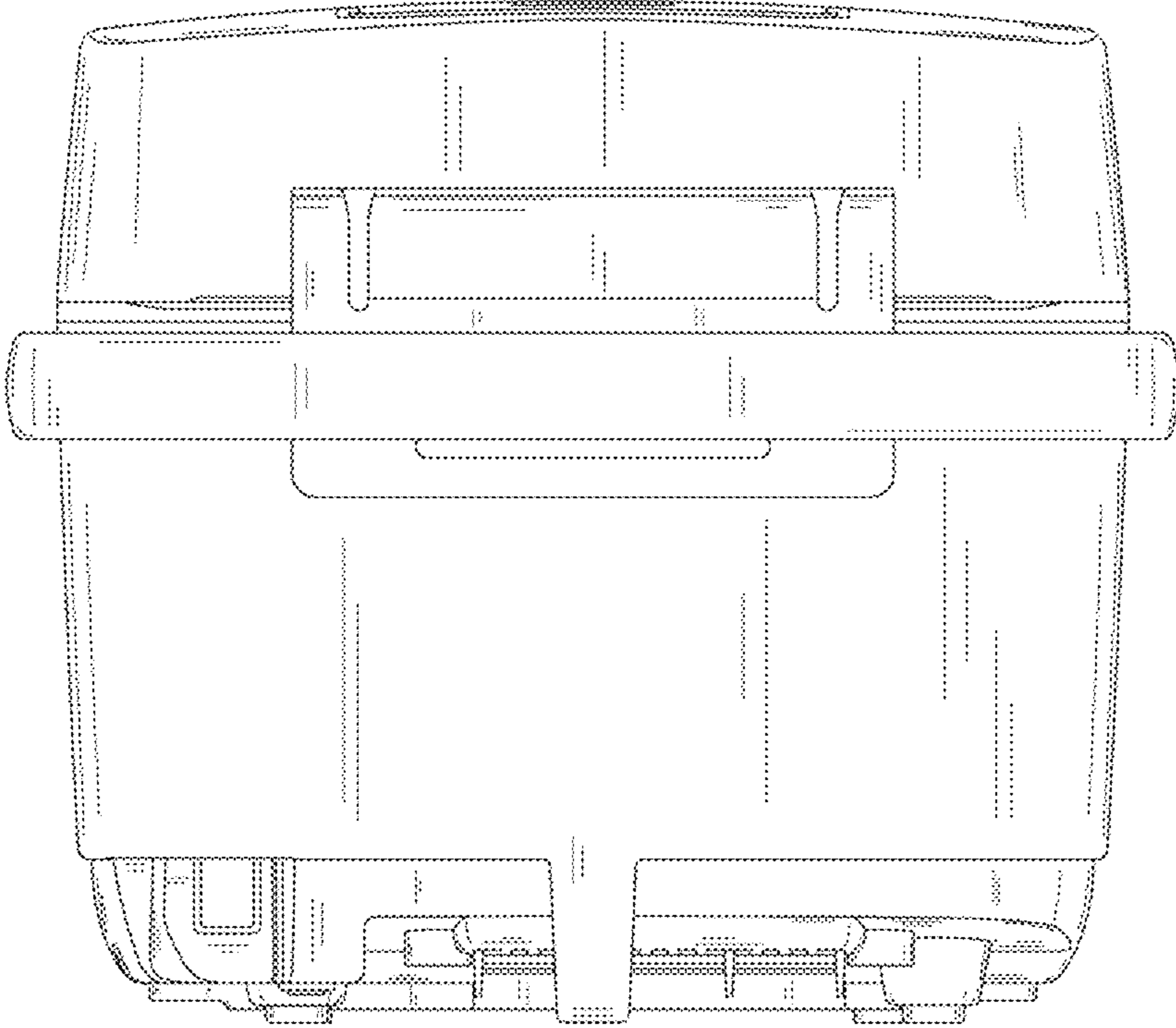


FIG. 4

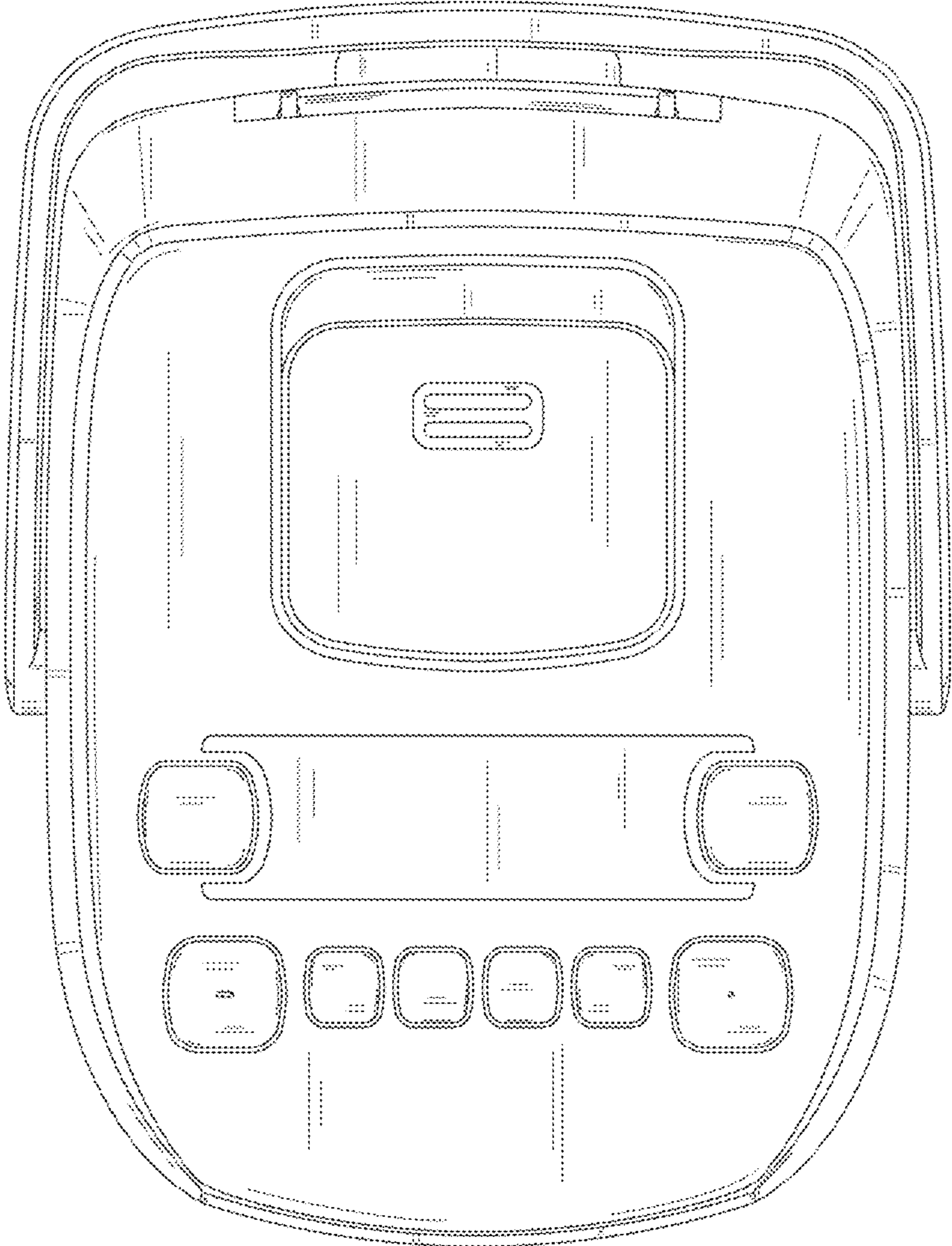


FIG. 5

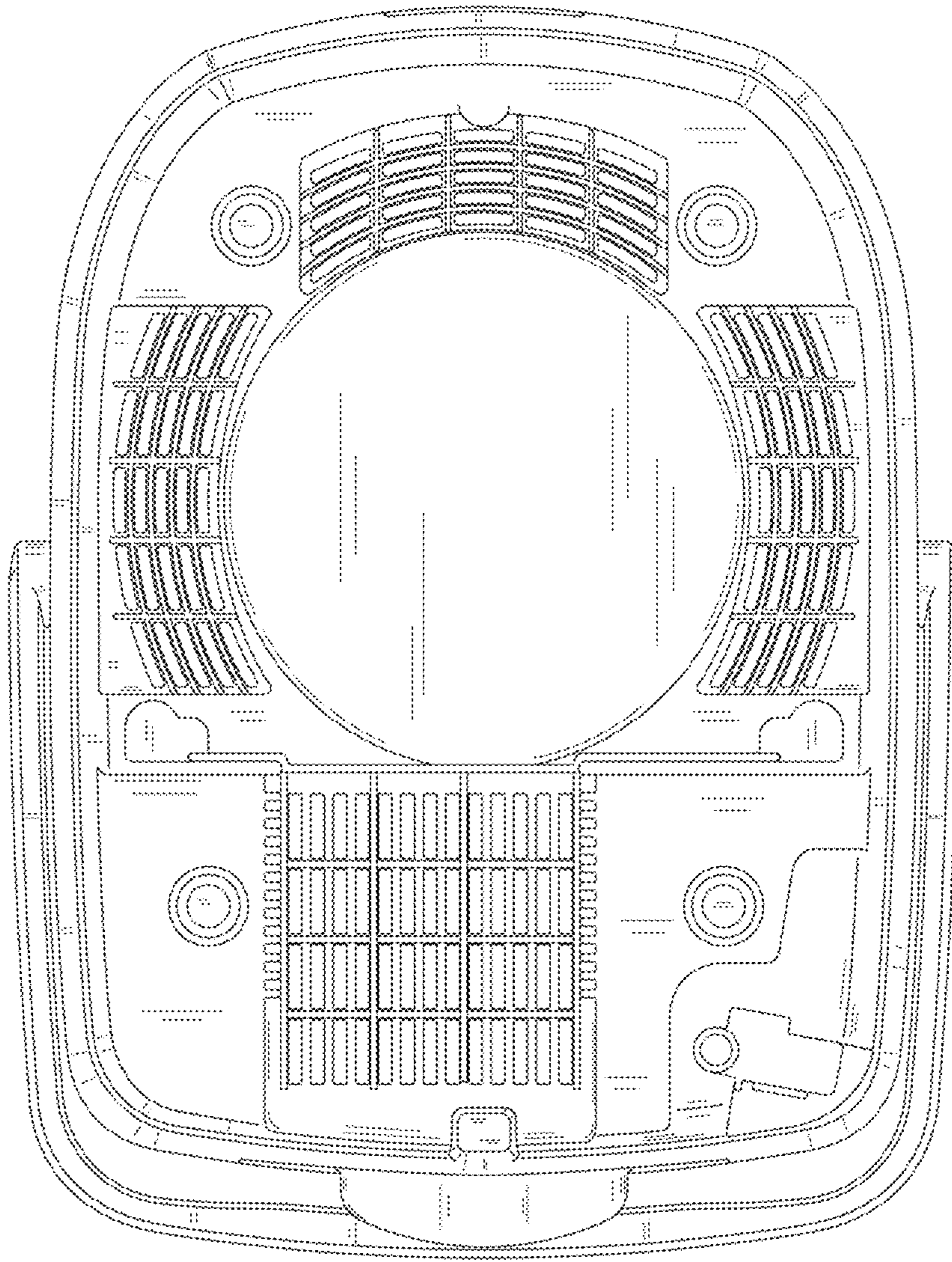


FIG. 6

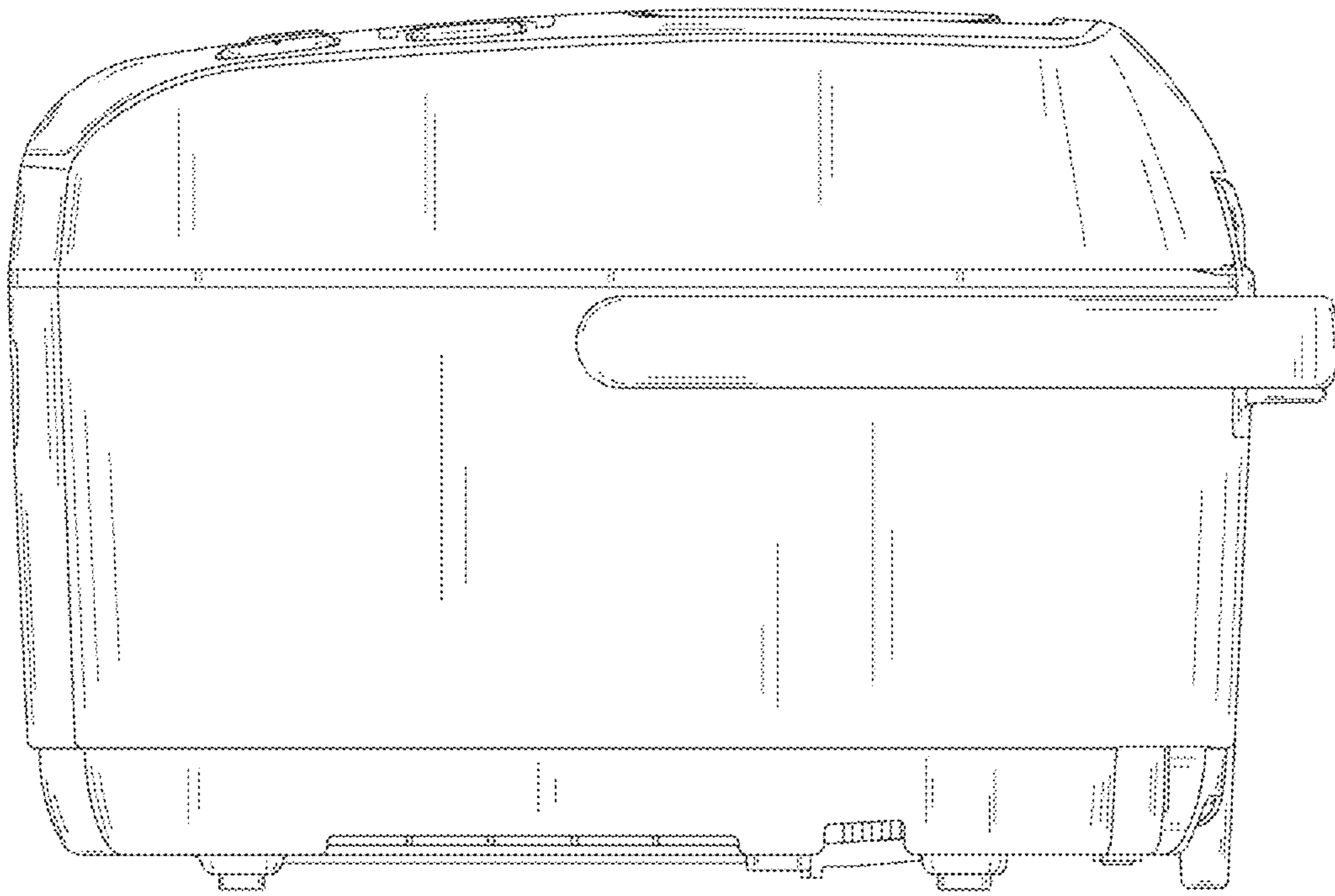


FIG. 7

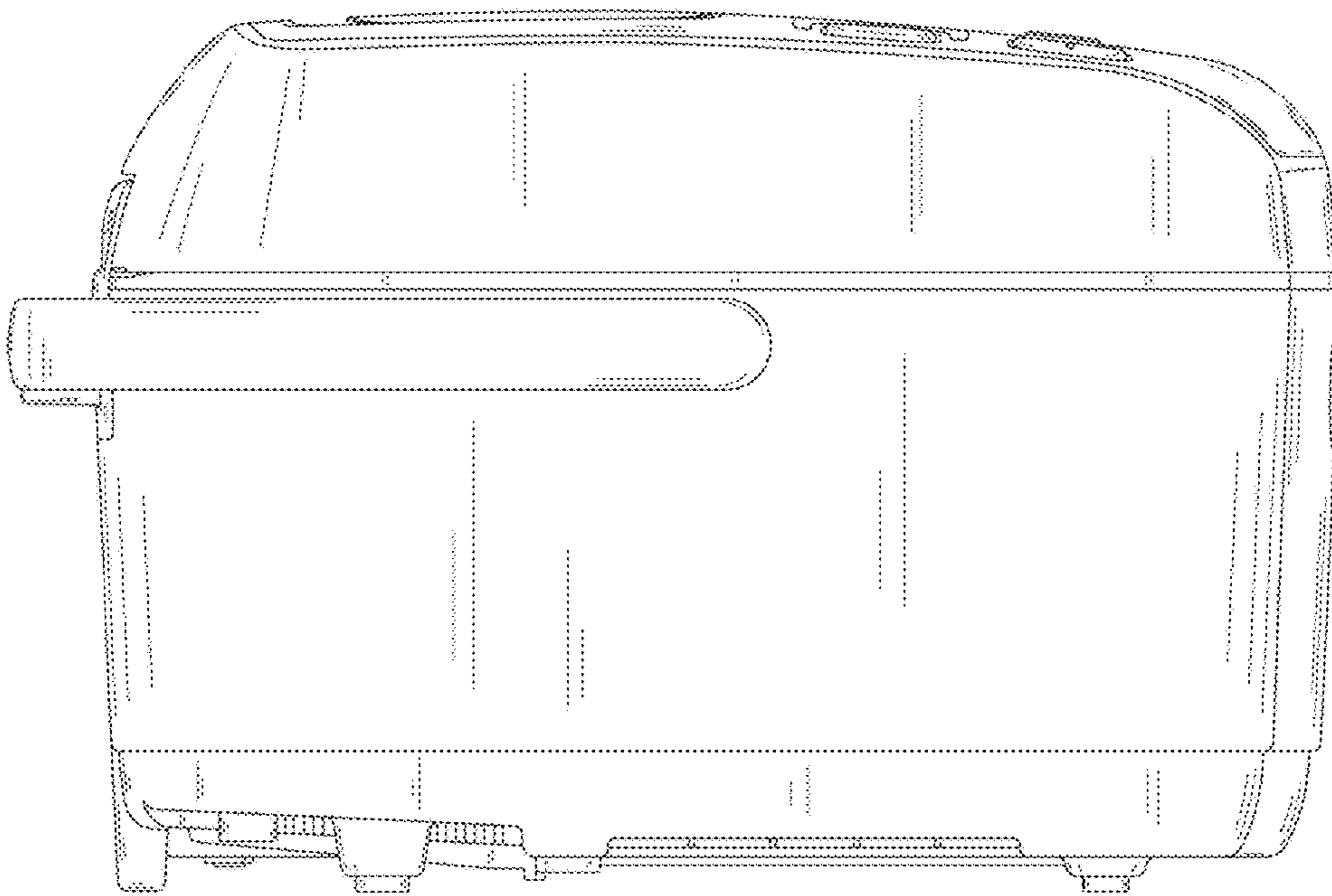


FIG. 8

