



US00D823633S

(12) **United States Design Patent**  
**Dash et al.**

(10) **Patent No.:** **US D823,633 S**  
(45) **Date of Patent:** **\*\* Jul. 24, 2018**

- (54) **COOKING APPLIANCE**
- (71) Applicant: **TSANN KUEN (ZHANGZHOU) ENTERPRISE CO., LTD.**, Fujian (CN)
- (72) Inventors: **Evan Dash**, Port Washington, NY (US); **Wenyu Chang**, Tainan (TW)
- (73) Assignee: **TSANN KUEN (ZHANGZHOU) ENTERPRISE CO., LTD.** (CN)
- (\*\*) Term: **15 Years**
- (21) Appl. No.: **29/591,478**
- (22) Filed: **Jan. 20, 2017**
- (51) **LOC (11) Cl.** ..... **07-02**
- (52) **U.S. Cl.**  
USPC ..... **D7/352**
- (58) **Field of Classification Search**  
USPC ..... D7/323, 328-330, 337, 347, 352-364, D7/367, 402, 409-411  
CPC . A21B 5/023; A47J 27/60; A47J 27/62; A47J 37/04; A47J 37/06; A47J 37/067; A47J 37/0605; A47J 37/0611; A47J 37/0623; A47J 37/0629; A47J 37/0676; A47J 2037/06; A47J 2037/0611; F24C 15/10; F24C 15/102; H05B 6/02; H05B 6/062  
See application file for complete search history.

D450,977 S *	11/2001	Lin	.....	D7/352
D453,658 S *	2/2002	Brady	.....	D7/352
D473,417 S *	4/2003	Martres	.....	D7/352
D509,704 S *	9/2005	To	.....	D7/352
D522,798 S *	6/2006	Wilgus	.....	D7/337
D532,642 S *	11/2006	Wilgus	.....	D7/337
D533,392 S *	12/2006	Yeung	.....	D7/352
D670,956 S *	11/2012	Kokenis	.....	D7/352
D689,323 S *	9/2013	Endres	.....	D7/352

\* cited by examiner

*Primary Examiner* — Ricky Pham

(74) *Attorney, Agent, or Firm* — Belles Katz LLC

(57) **CLAIM**

We claim the ornamental design for a cooking appliance, as shown and described.

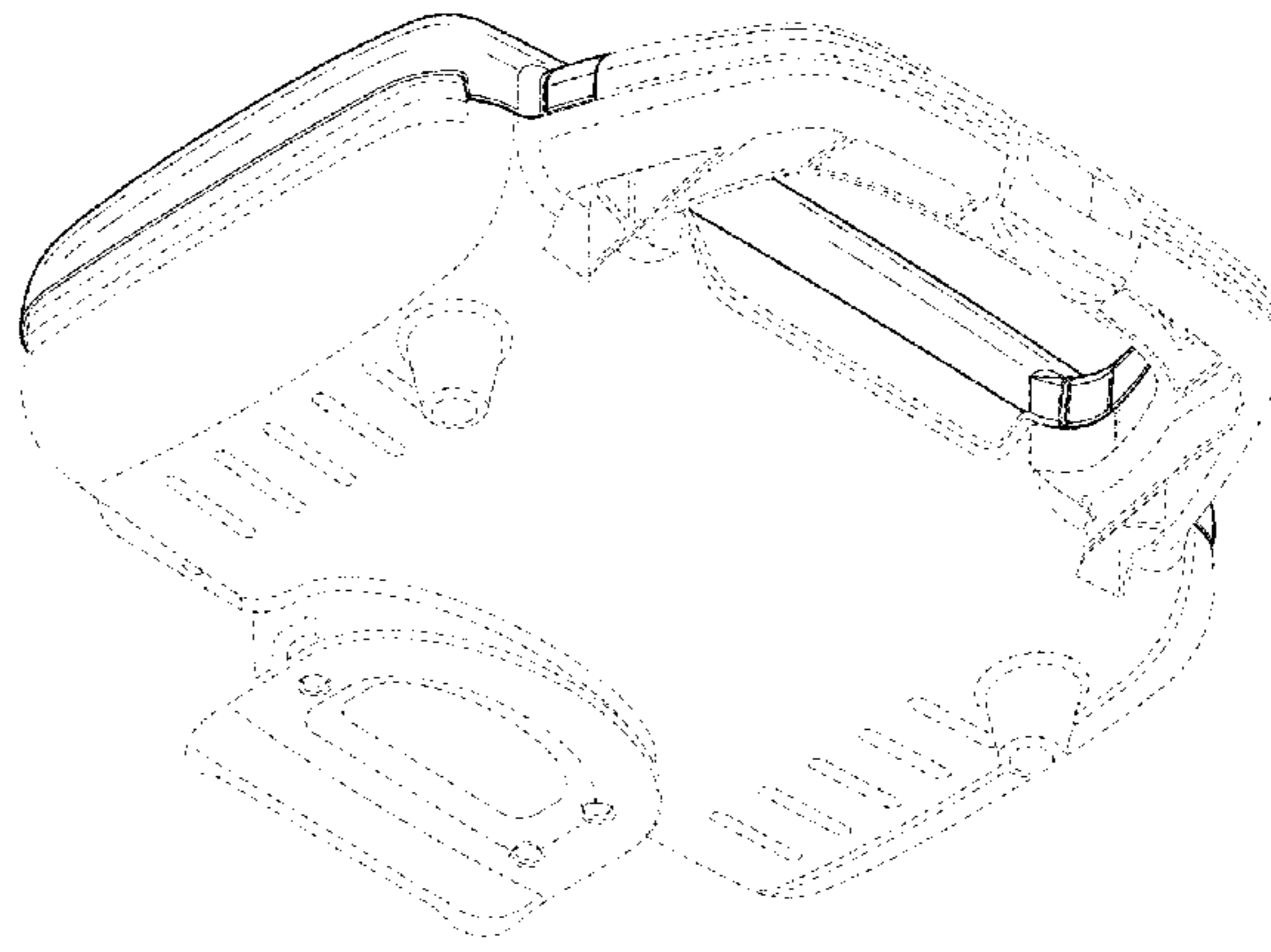
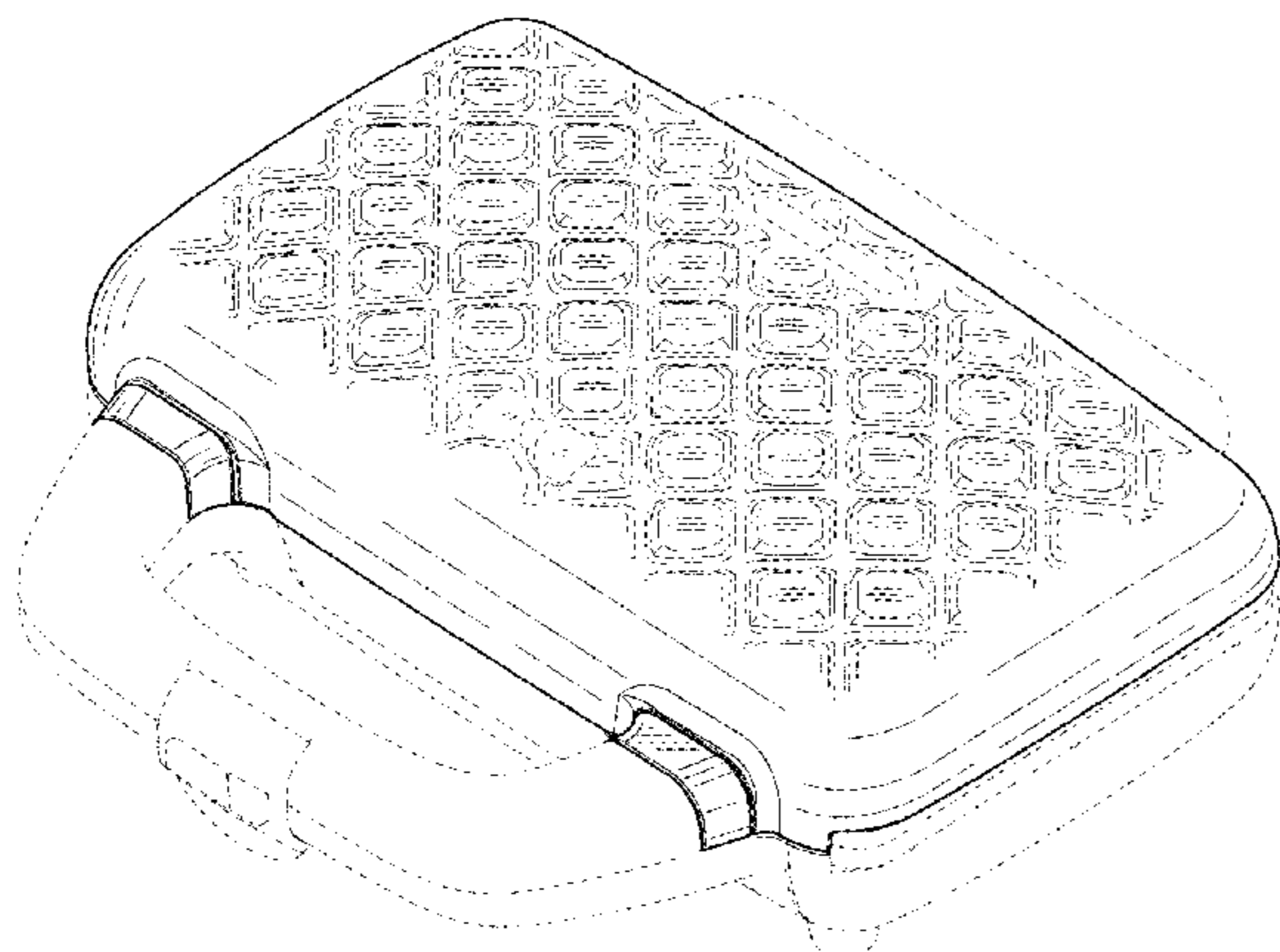
**DESCRIPTION**

FIG. 1 is a front top right perspective view of a cooking appliance in accordance with the present invention; FIG. 2 is a front top left perspective view thereof; FIG. 3 is a rear top left perspective view thereof; FIG. 4 is a rear top right perspective view thereof; FIG. 5 is a front bottom right perspective view thereof; FIG. 6 is a front bottom left perspective view thereof; FIG. 7 is a rear bottom left perspective view thereof; FIG. 8 is a rear bottom right perspective view thereof; FIG. 9 is a top plan view thereof; FIG. 10 is a bottom plan view thereof; FIG. 11 is a front elevation view thereof; FIG. 12 is a rear elevation view thereof; FIG. 13 is a left-side elevation view thereof; and, FIG. 14 is a right-side elevation view thereof.

The broken lines in the drawings illustrate portions of the article that form no part of the claimed design.

**1 Claim, 14 Drawing Sheets**

- (56) **References Cited**  
U.S. PATENT DOCUMENTS  
D407,598 S \* 4/1999 Deni ..... D7/337  
D409,876 S \* 5/1999 Gruaz ..... D7/352  
D430,453 S \* 9/2000 Lin ..... D7/352  
D446,679 S \* 8/2001 Lin ..... D7/352



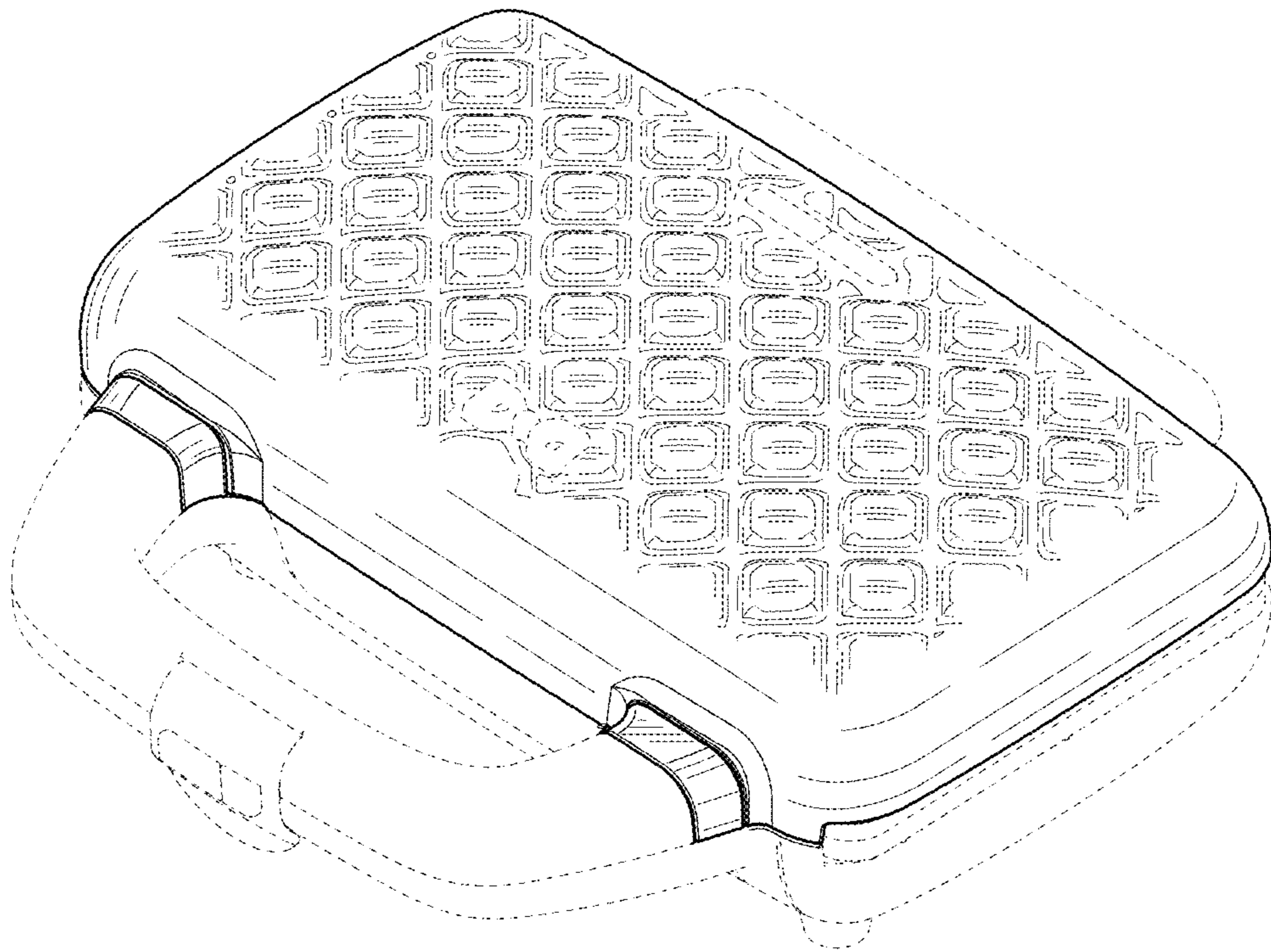


FIG. 1

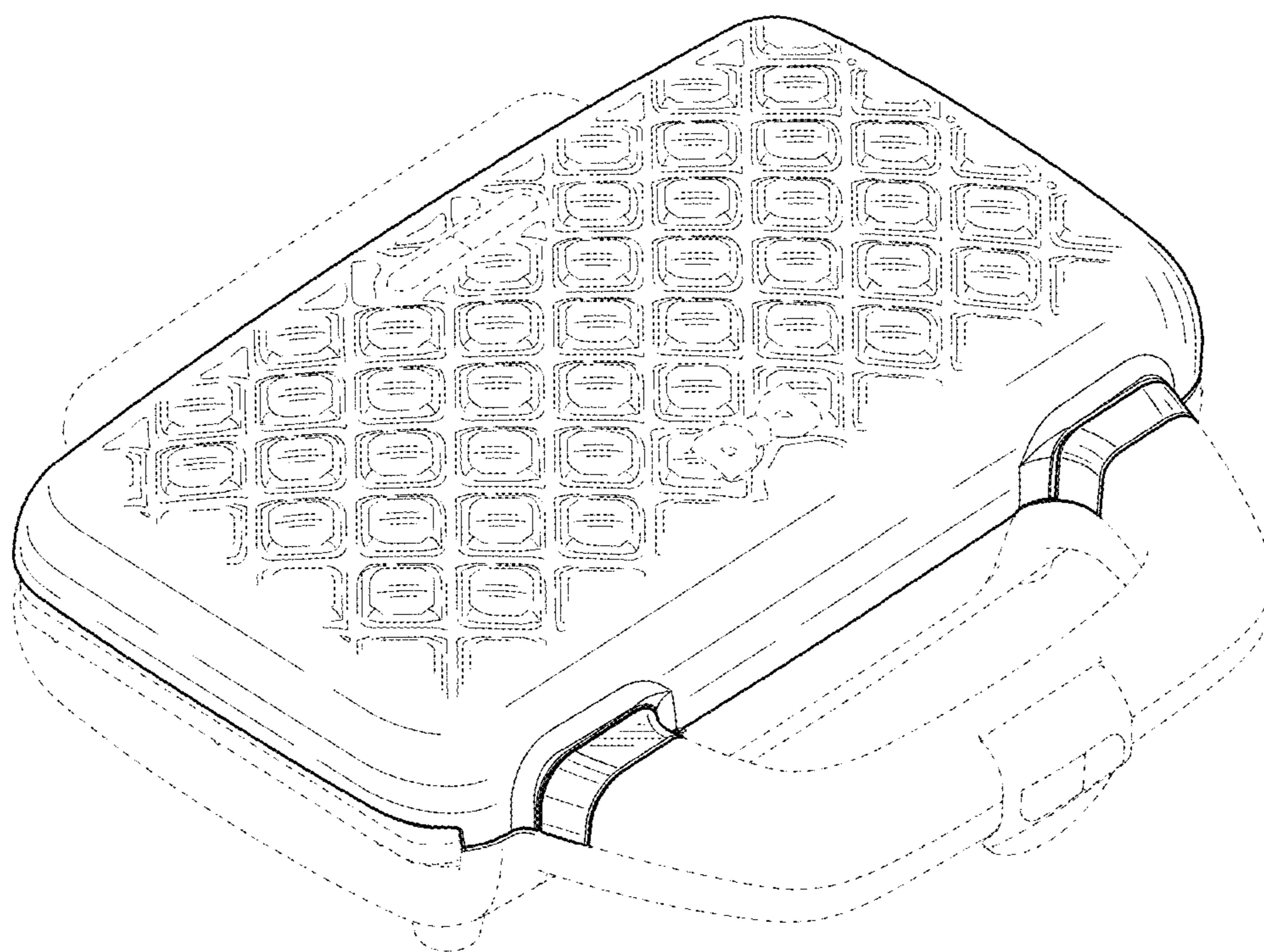


FIG. 2

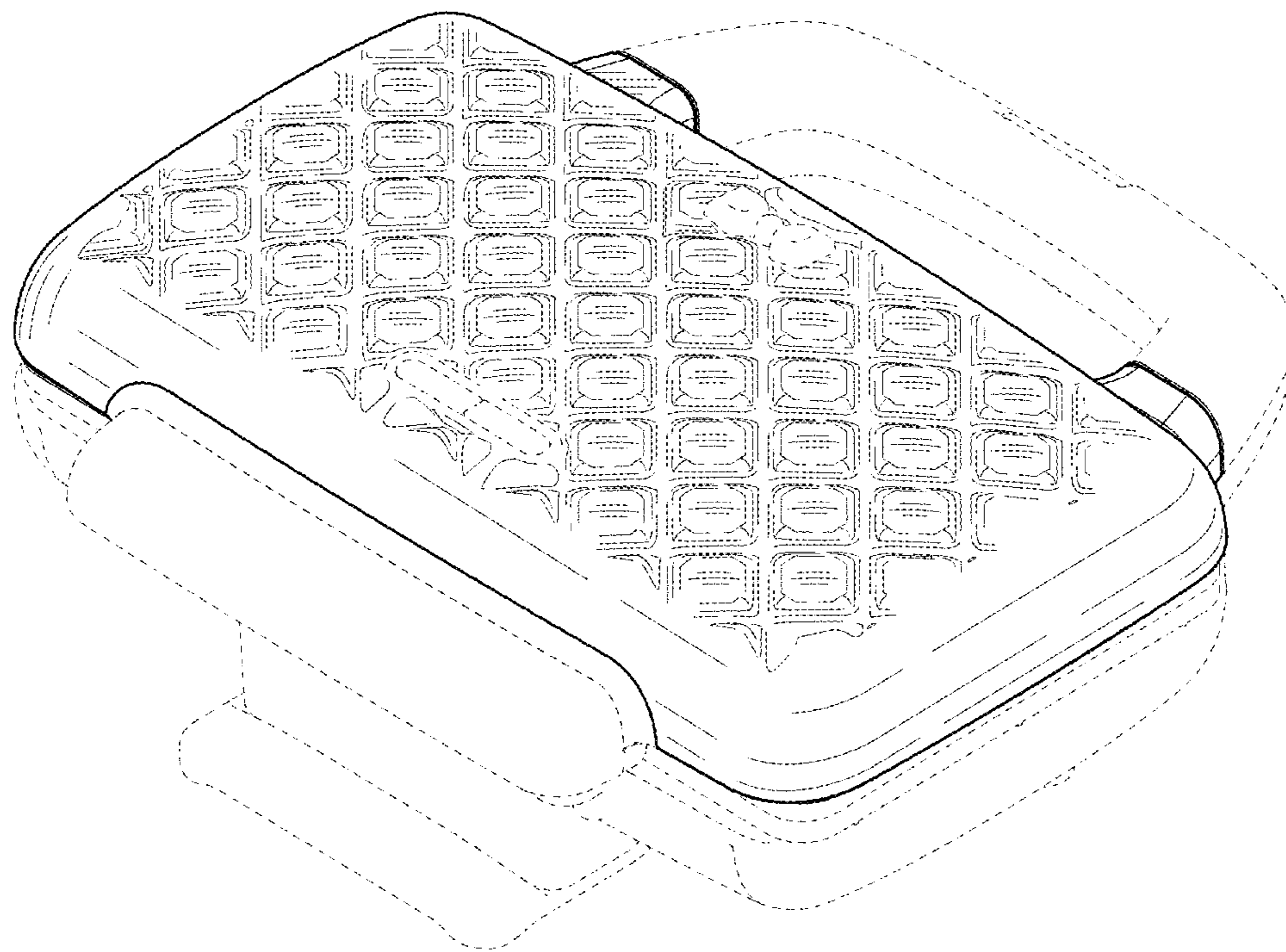


FIG. 3

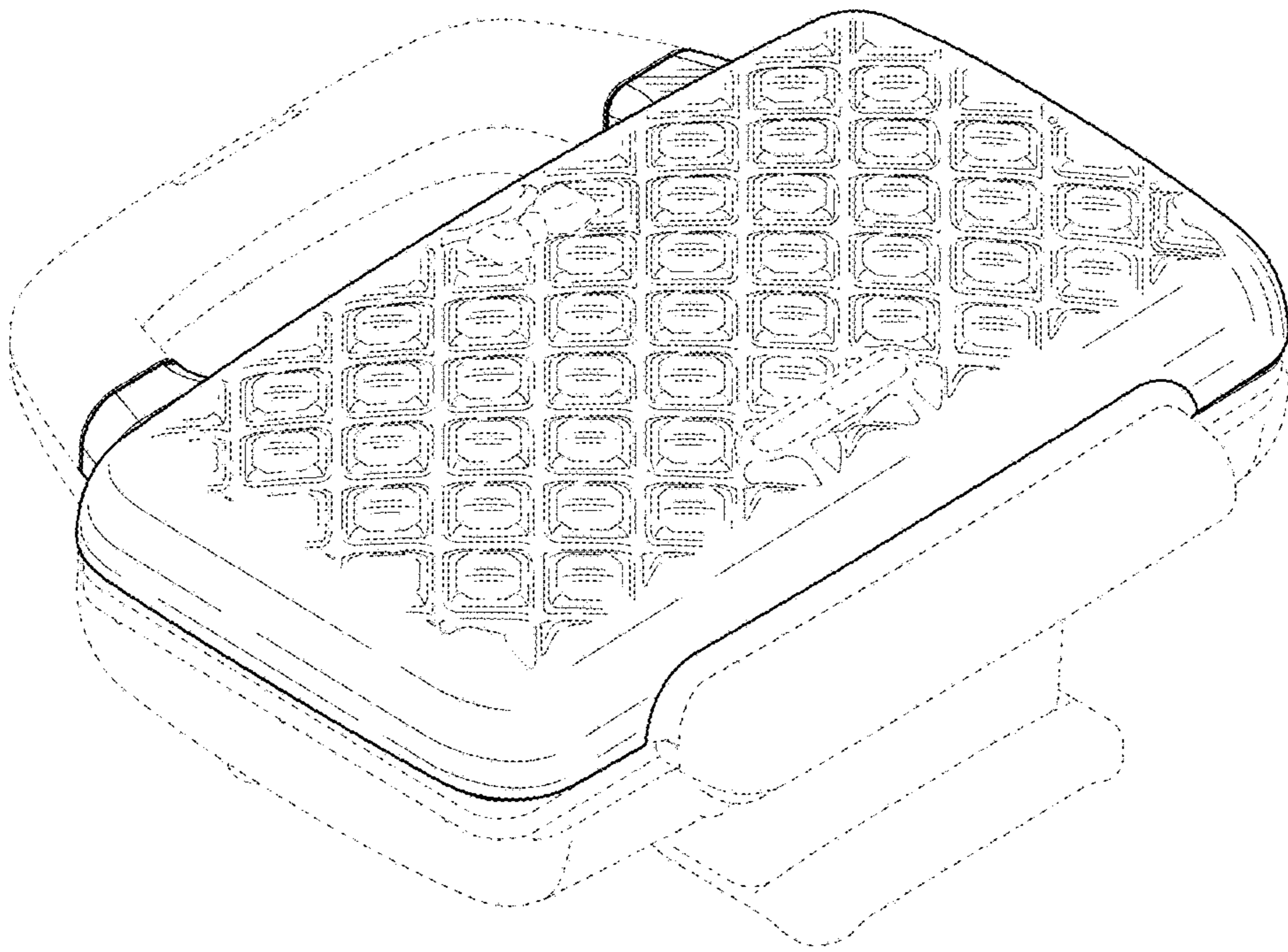


FIG. 4

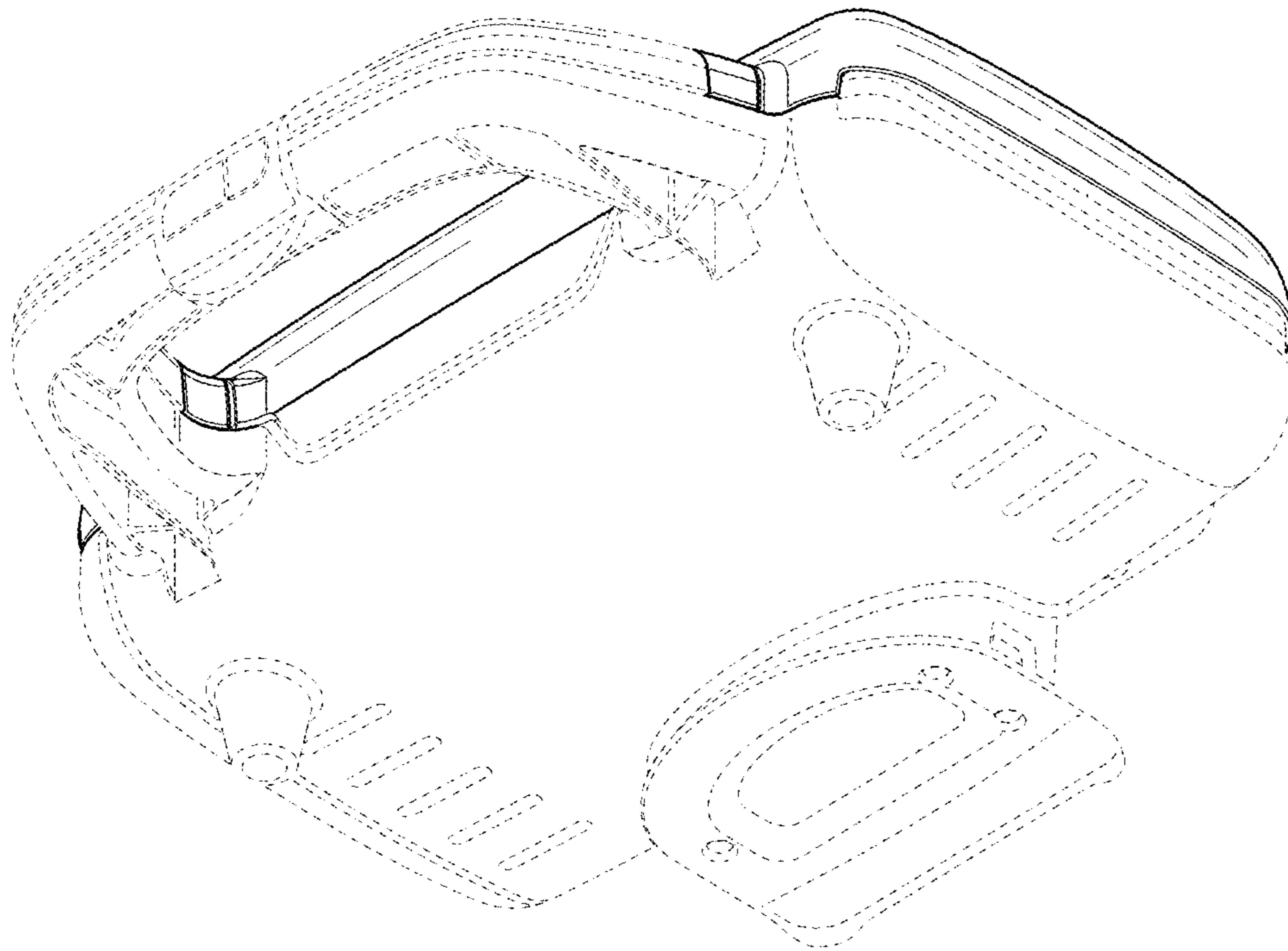


FIG. 5

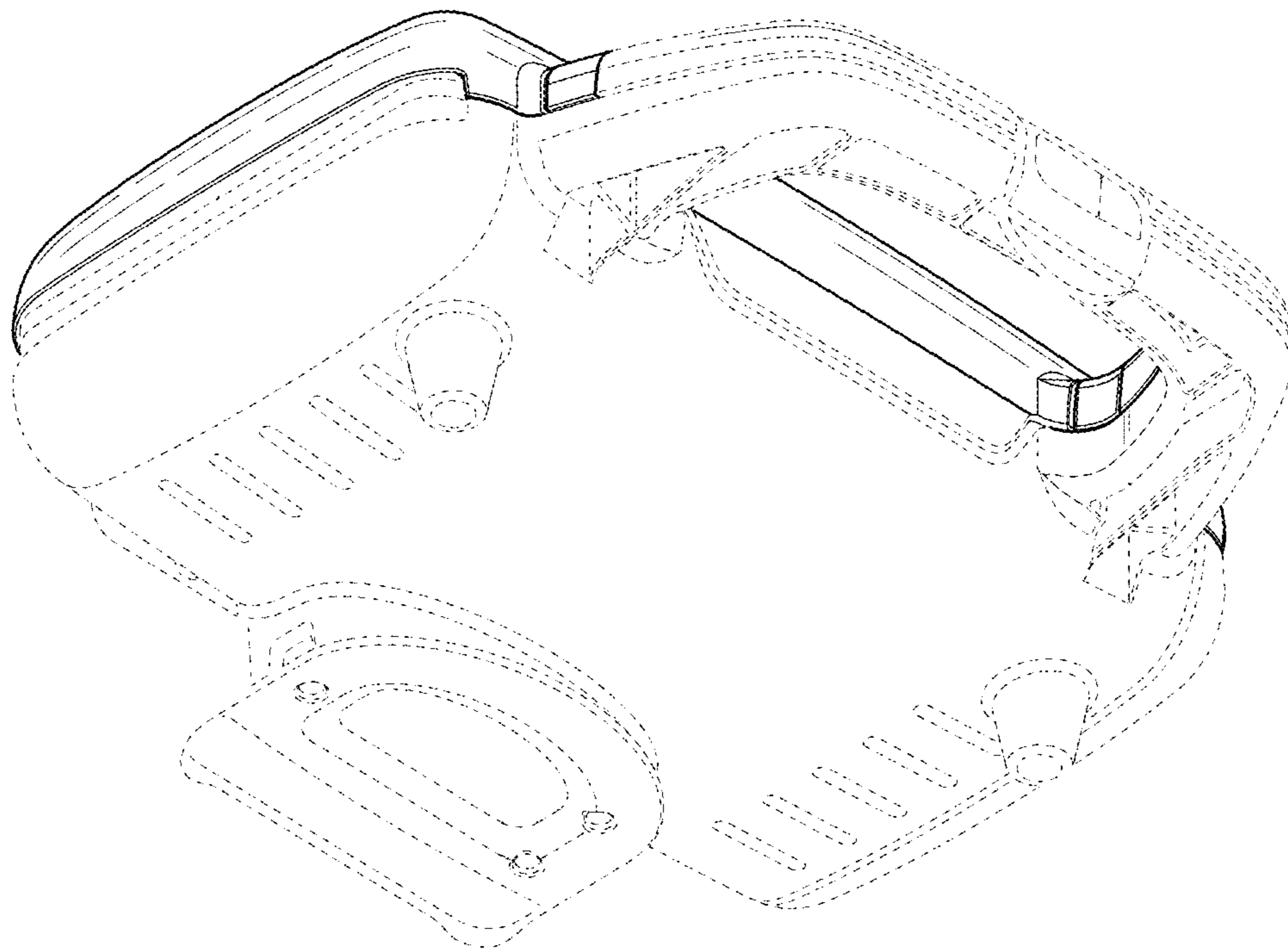


FIG. 6

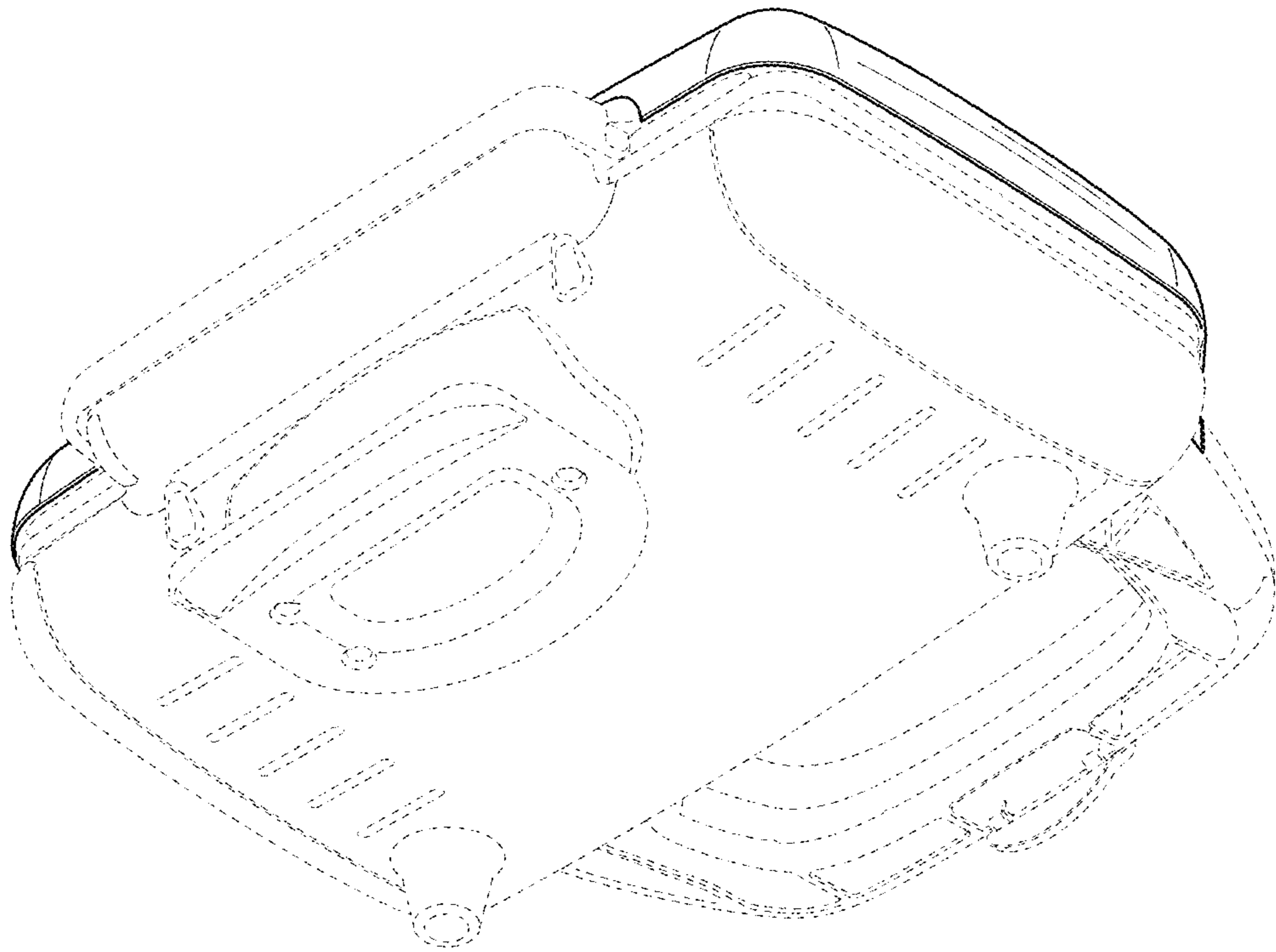


FIG. 7



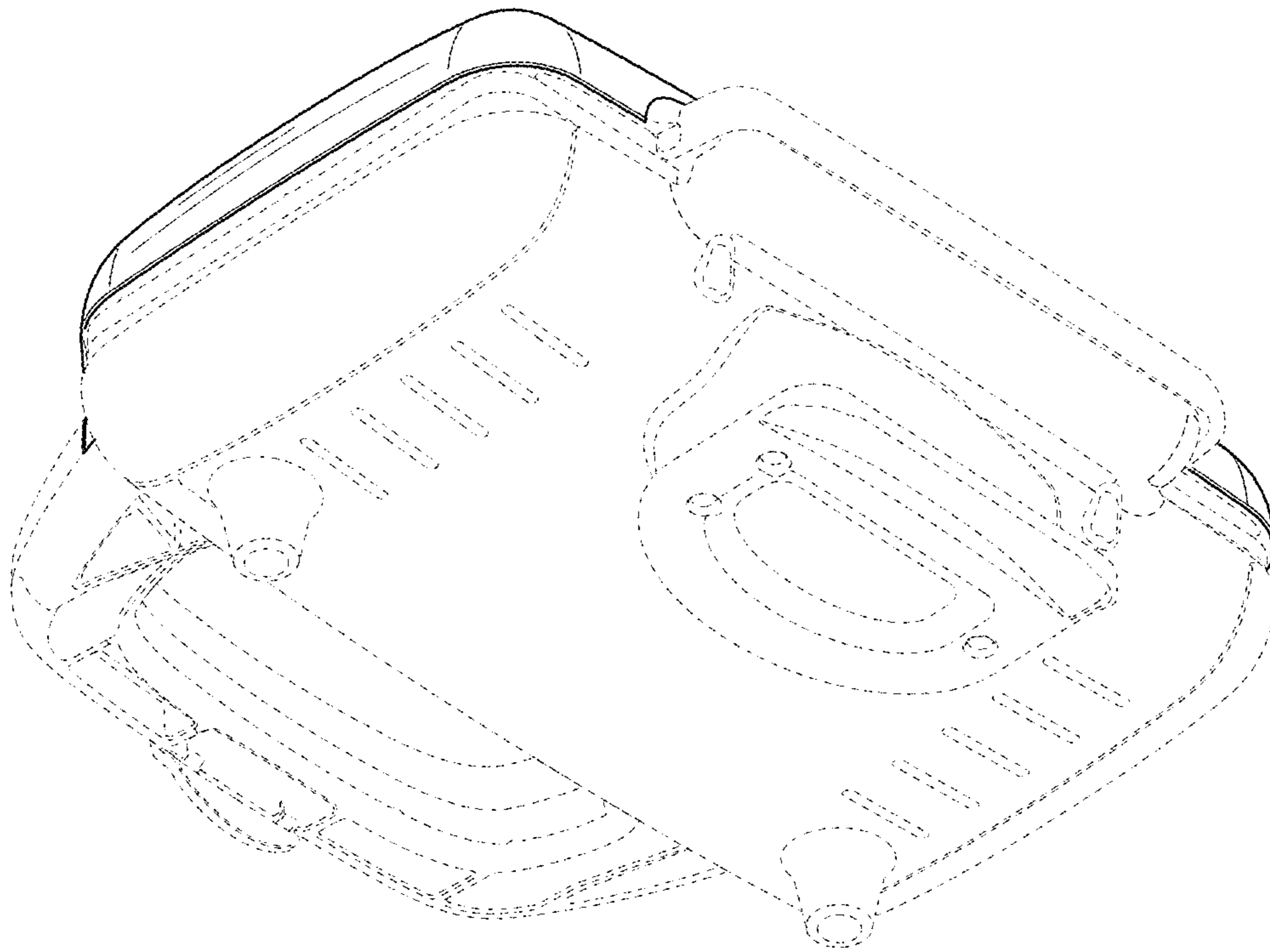


FIG. 8

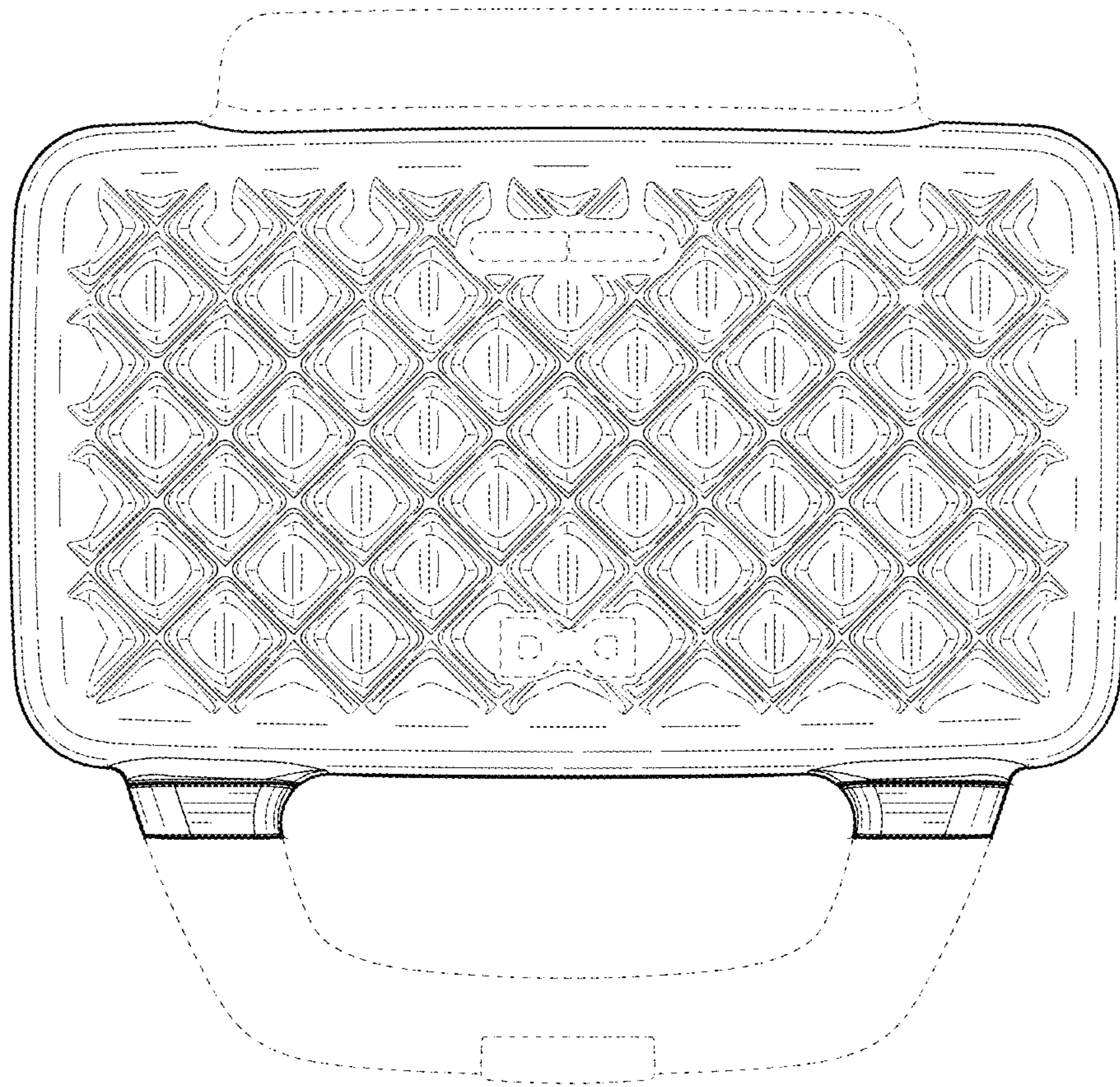


FIG. 9

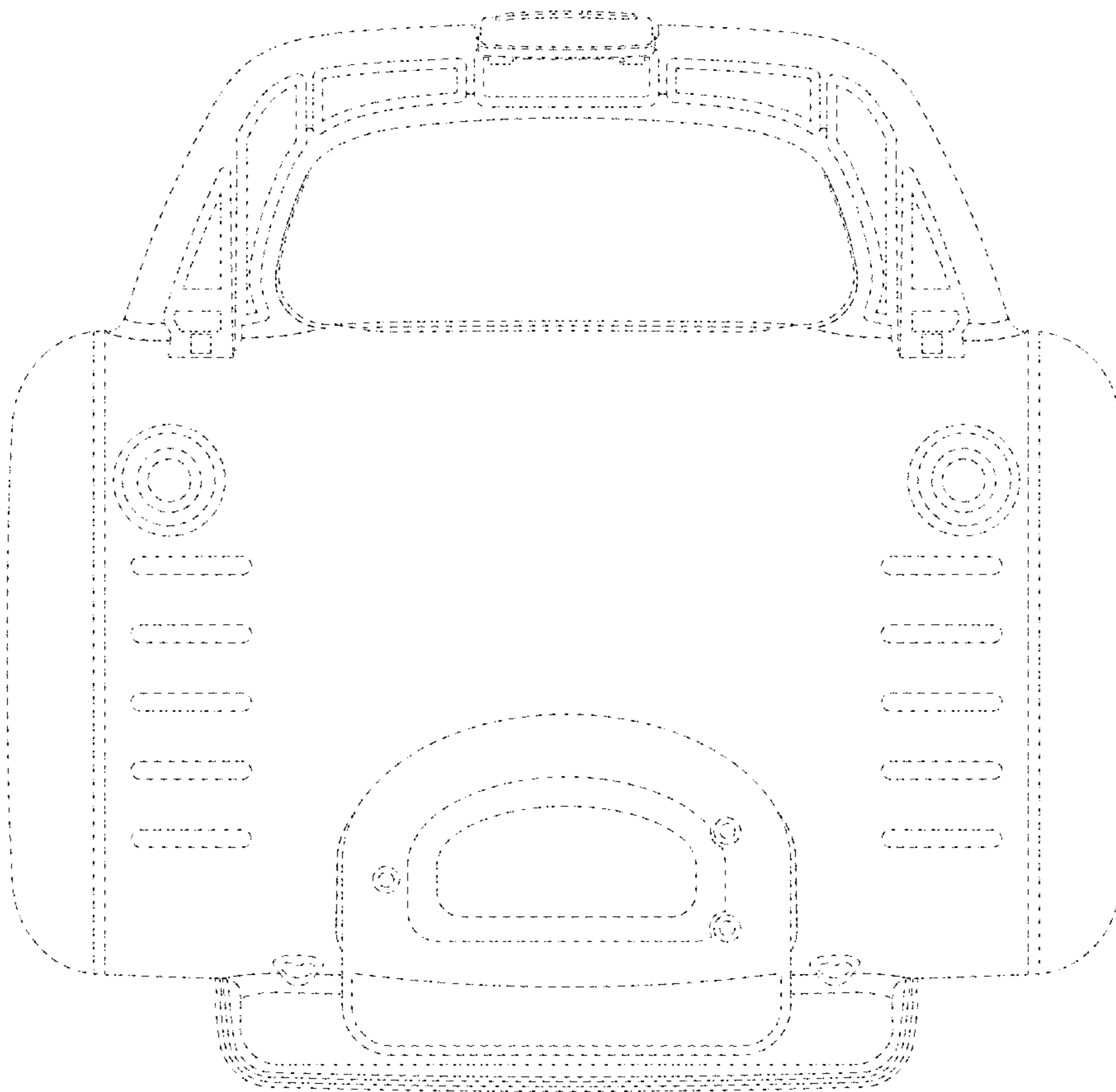


FIG. 10

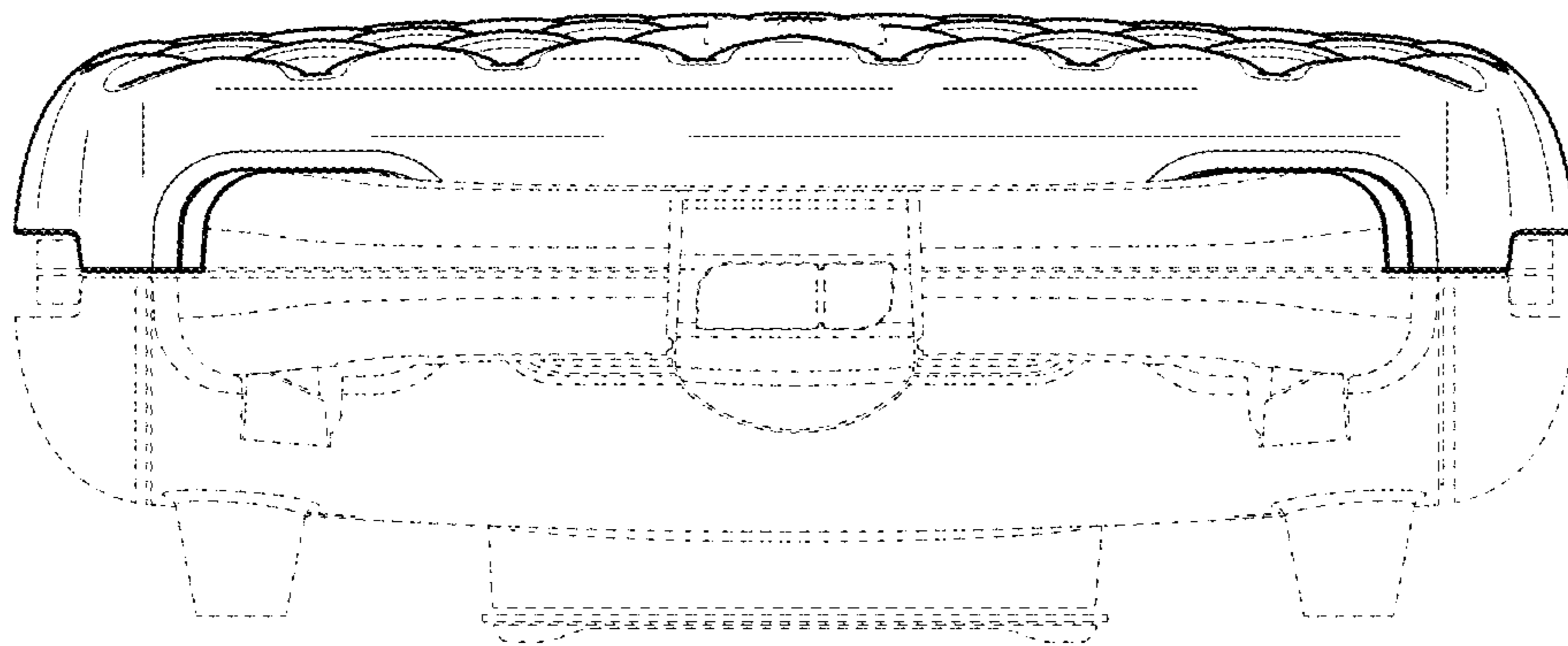


FIG. 11

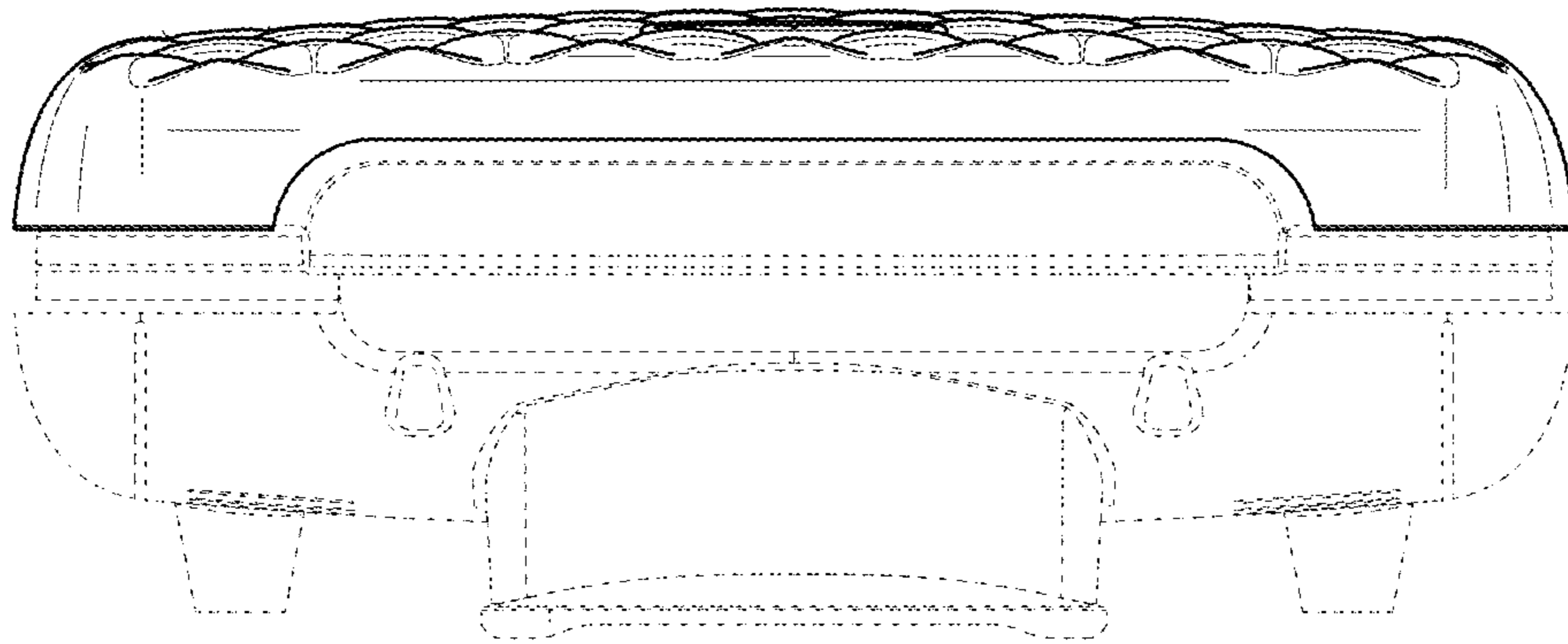


FIG. 12

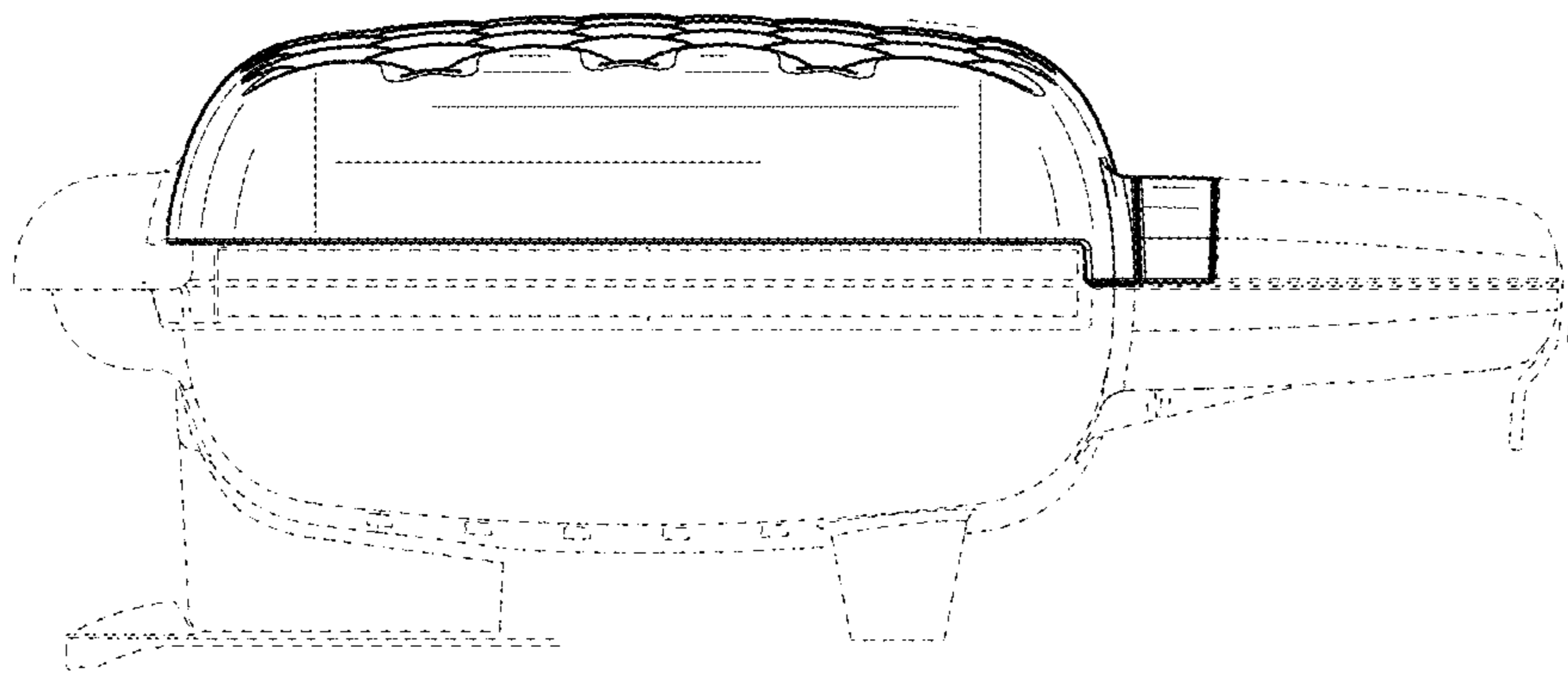


FIG. 13

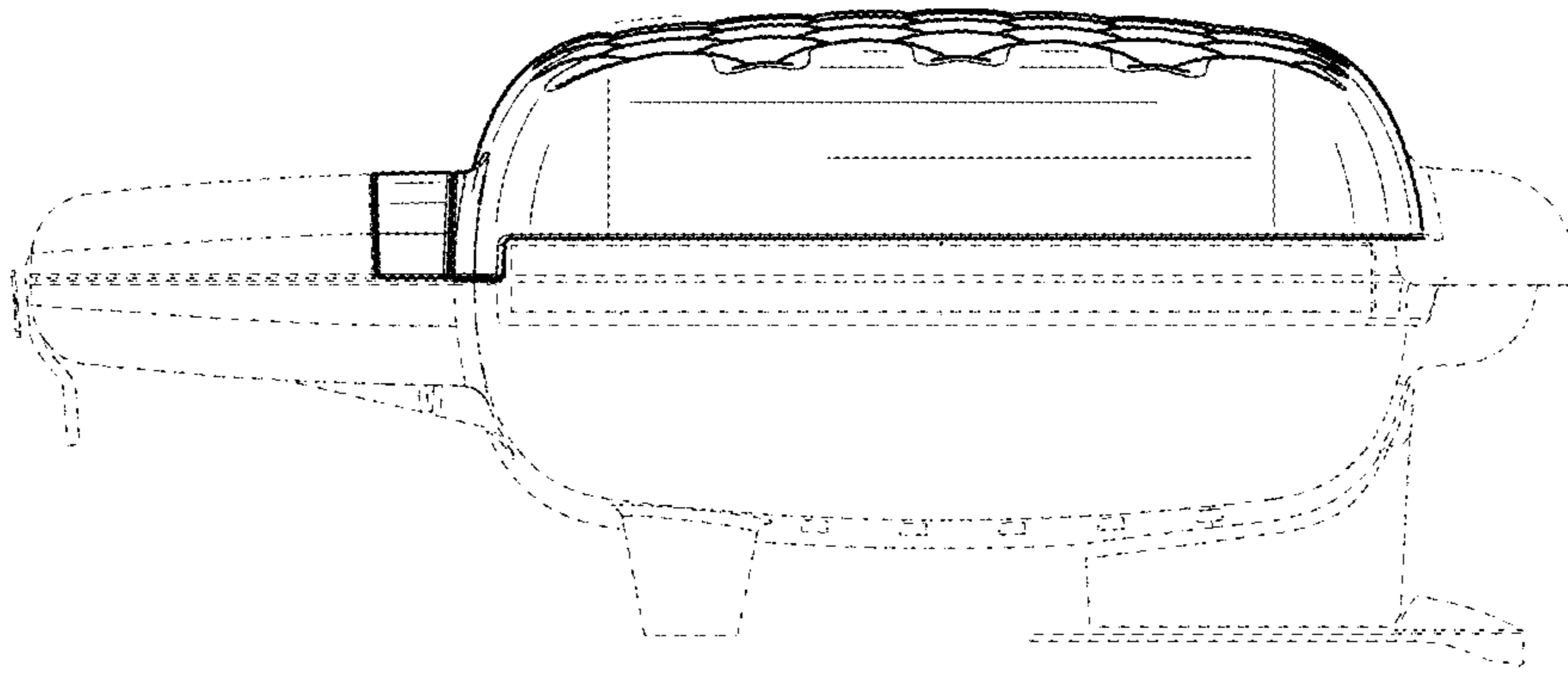


FIG. 14