



US00D823631S

(12) **United States Design Patent**
Gort-Barten et al.

(10) **Patent No.:** **US D823,631 S**

(45) **Date of Patent:** **** Jul. 24, 2018**

(54) **TOASTER**

(71) Applicants: **Leslie Gort-Barten**, Crawley, West Sussex (GB); **Alex Gort-Barten**, Crawley, West Sussex (GB)

(72) Inventors: **Leslie Gort-Barten**, Crawley (GB); **Alex Gort-Barten**, Crawley (GB)

(**) Term: **15 Years**

(21) Appl. No.: **35/500,648**

(22) Filed: **Dec. 21, 2015**

(80) **Hague Agreement Data**

Int. Filing Date: **Dec. 21, 2015**

Int. Reg. No.: **DM/089404**

Int. Reg. Date: **Dec. 21, 2015**

Int. Reg. Pub. Date: **Feb. 26, 2016**

(51) **LOC (11) Cl.** **07-02**

(52) **U.S. Cl.**

USPC **D7/330**

(58) **Field of Classification Search**

USPC D7/300, 323, 390, 328-330

CPC A47J 37/00; A47J 37/08; A47J 37/0807;

A47J 37/0814; A47J 37/0835; A47J

37/0842; A47J 37/085; A47J 37/0864;

H05B 1/0258; H05B 1/0261

See application file for complete search history.

(56) **References Cited**

U.S. PATENT DOCUMENTS

D510,676 S * 10/2005 Picozza D7/330

D590,200 S * 4/2009 Mullen D7/330

D686,866 S *	7/2013	De'Longhi	D7/330
D707,071 S *	6/2014	Gort-Barten	D7/330
D722,808 S *	2/2015	Zimmermann	D7/330
D724,885 S *	3/2015	Kunz	D7/330
D746,093 S *	12/2015	Bazzicalupo	D7/330
D749,886 S *	2/2016	Prats	D7/330
D759,417 S *	6/2016	Carpenter	D7/330
D765,456 S *	9/2016	Lee	D7/330

OTHER PUBLICATIONS

Dualit Studio Toaster 1200 W, by Dualit, Amazon [online], date first available Jan. 5, 2016, [retrieved on Jan. 31, 2017]. Retrieved from the Internet <URL: <https://www.amazon.co.uk/d/Toasters/Dualit-Studio-Toaster-1200-W/B019EZB2XK>>.*

* cited by examiner

Primary Examiner — Sheryl Lane

Assistant Examiner — Nicole C Shiflet

(57) **CLAIM**

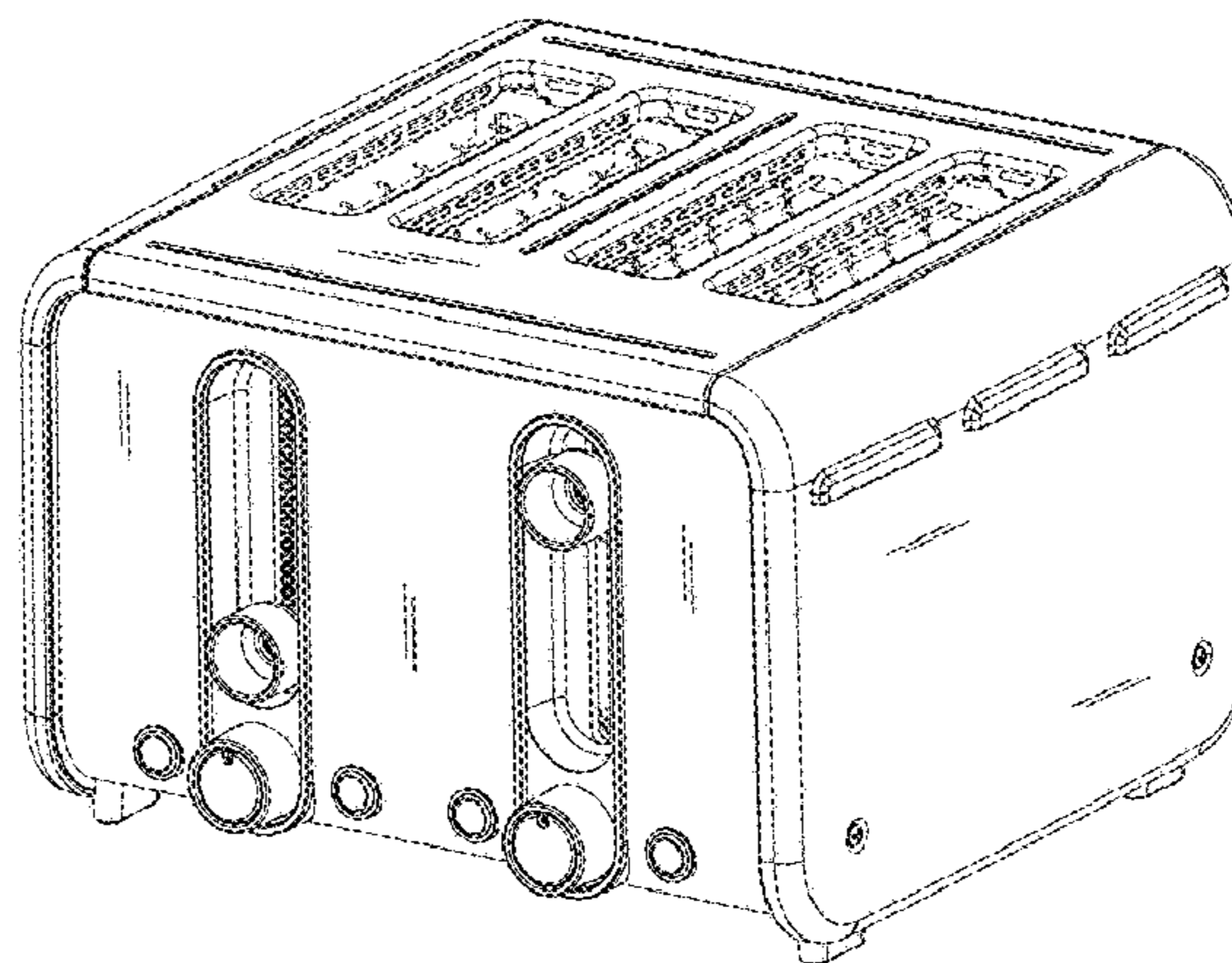
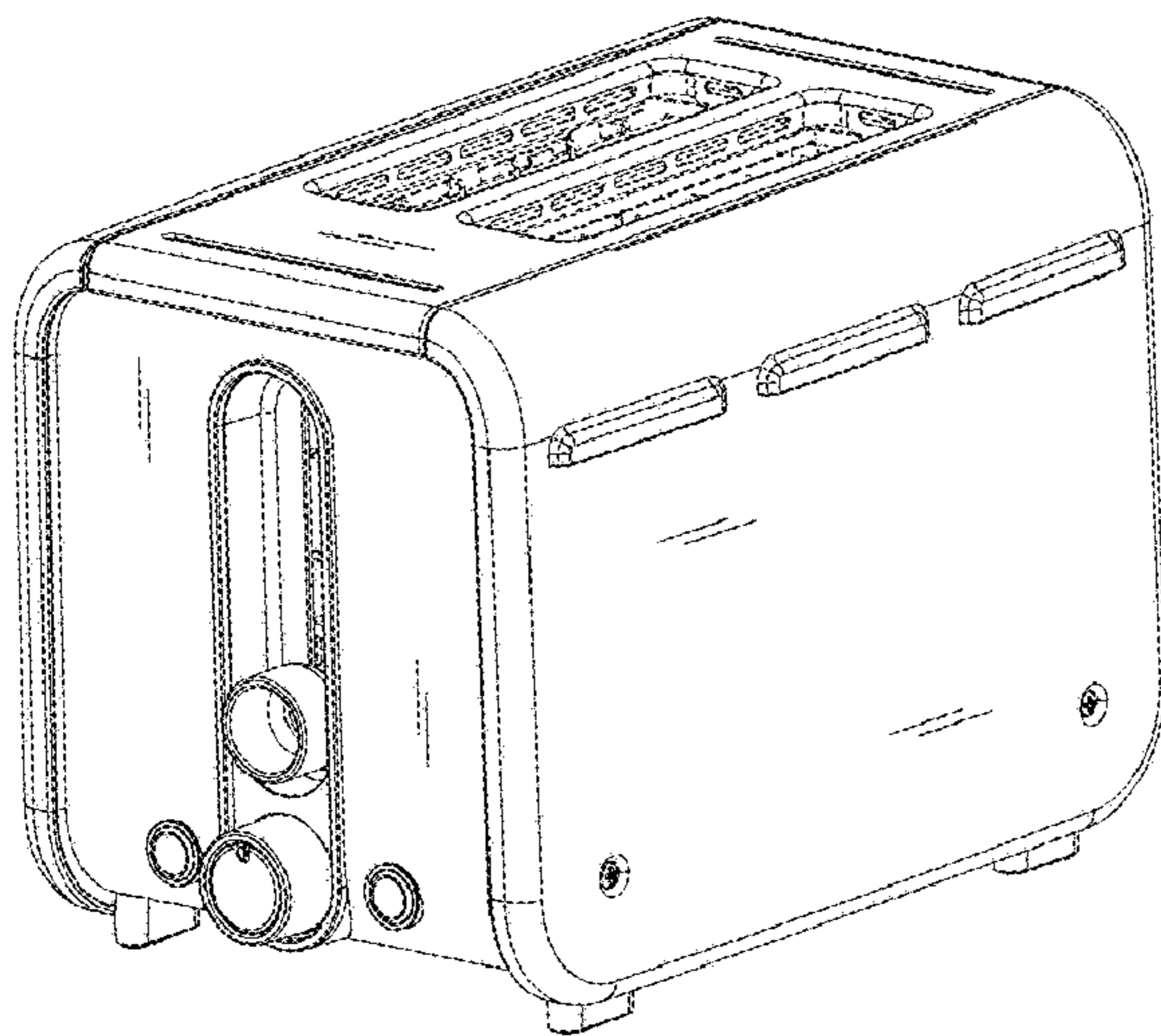
The ornamental design for a toaster, as shown and described.

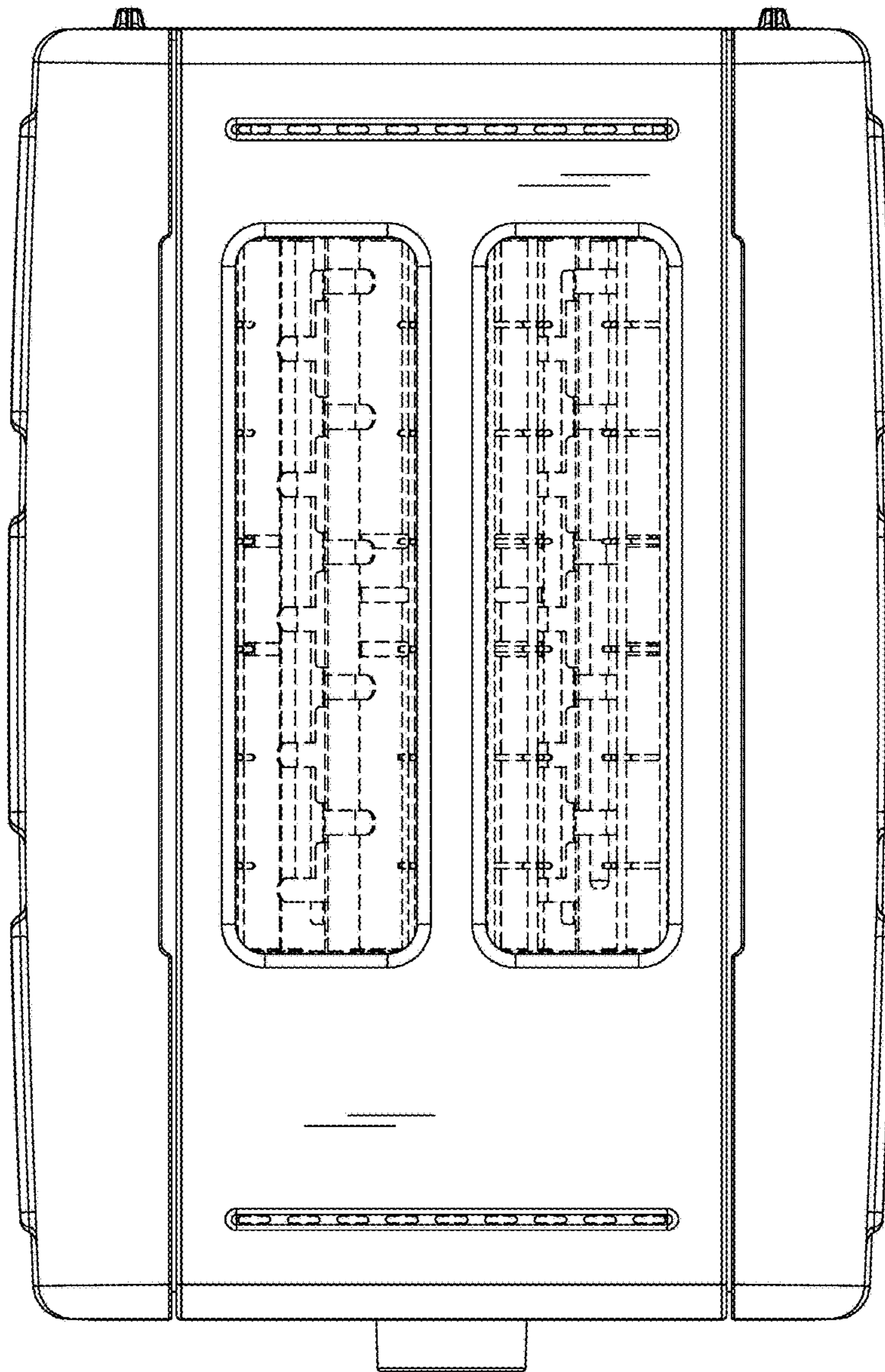
DESCRIPTION

- 1.1 : Top;
- 1.2 : Perspective;
- 1.3 : Front;
- 1.4 : Right;
- 1.5 : Rear;
- 2.1 : Top;
- 2.2 : Perspective;
- 2.3 : Front;
- 2.4 : Right; and
- 2.5 : Rear.

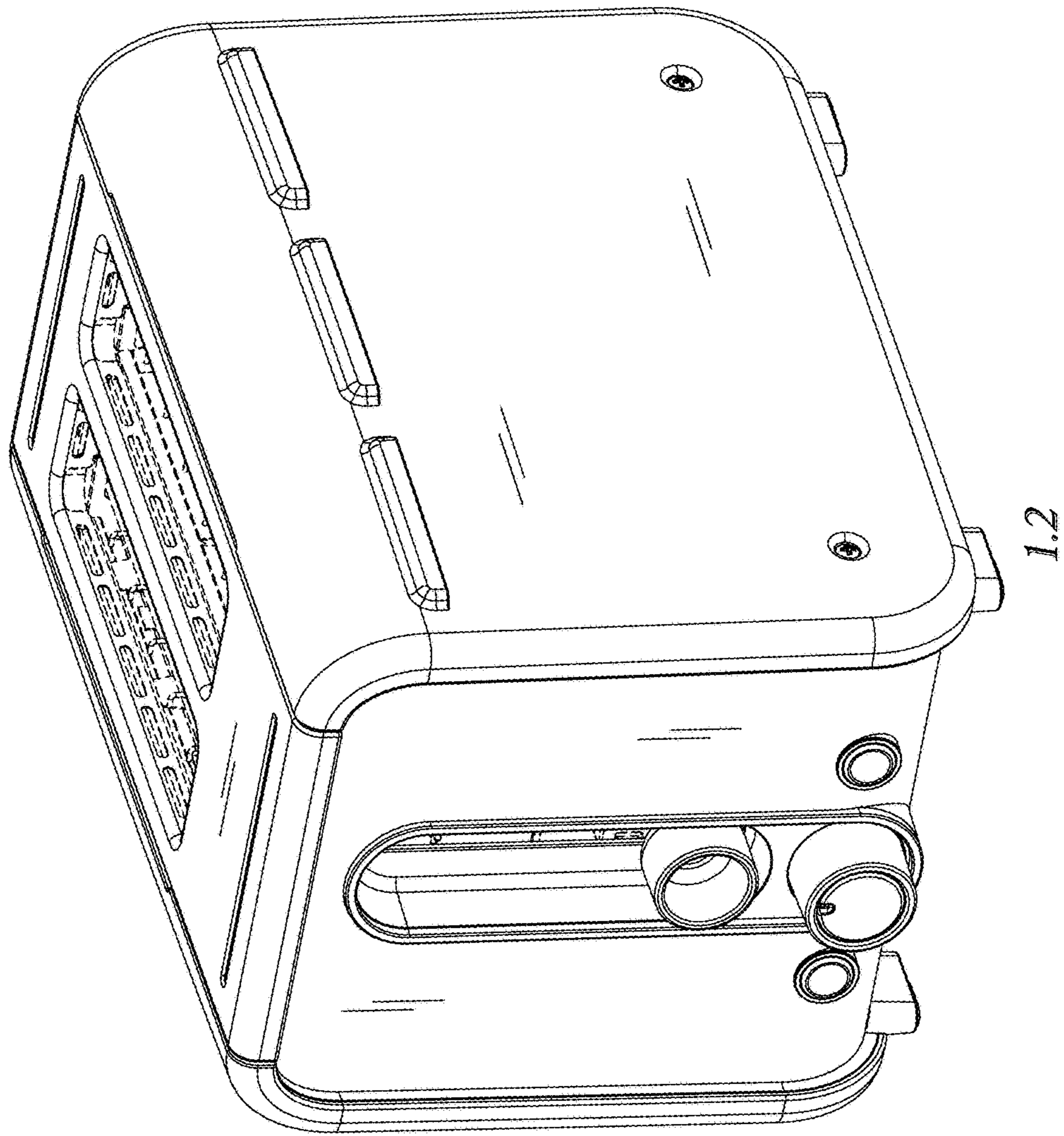
The broken lines showing portions of the article form no part of the claimed design.

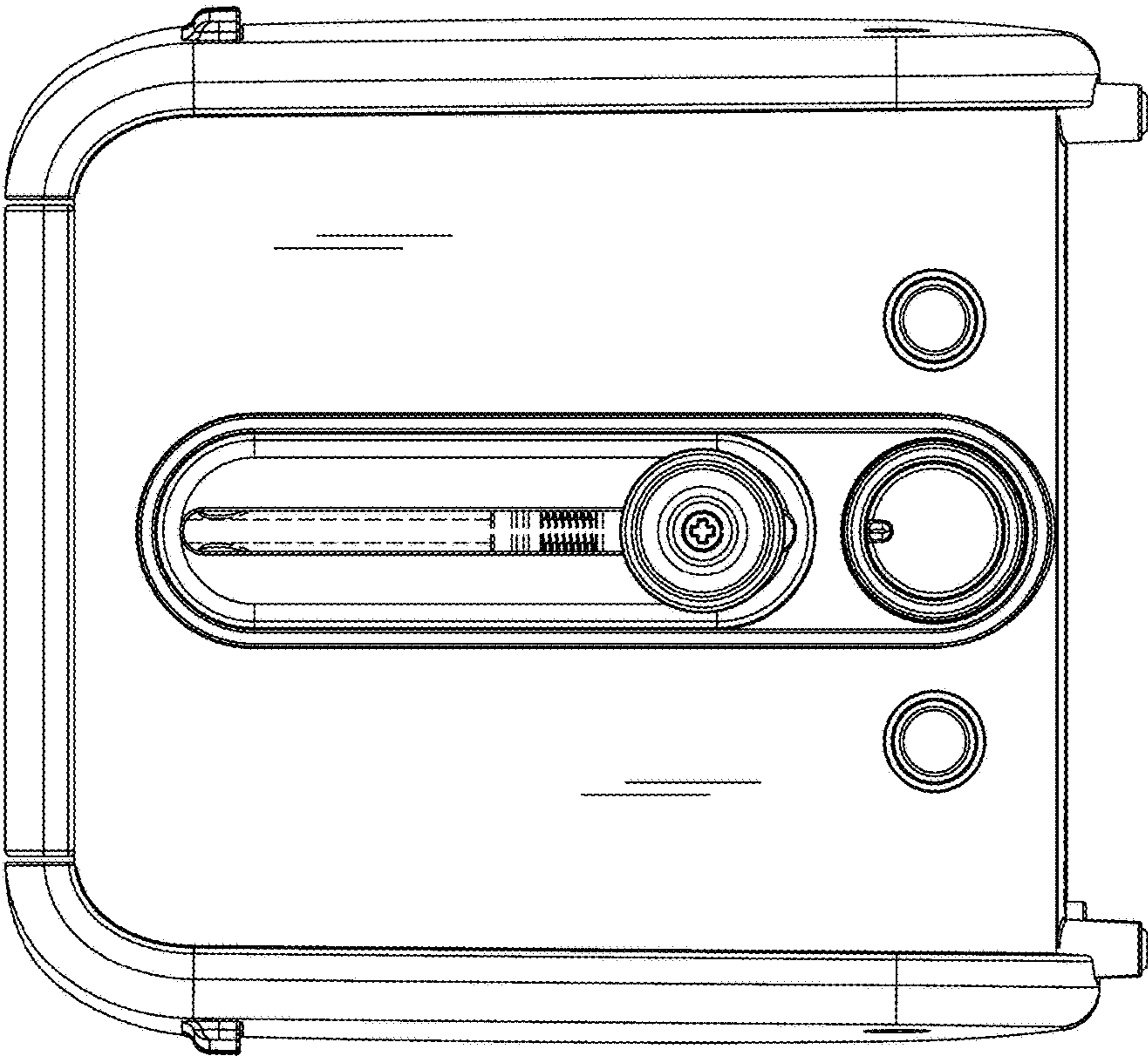
1 Claim, 10 Drawing Sheets



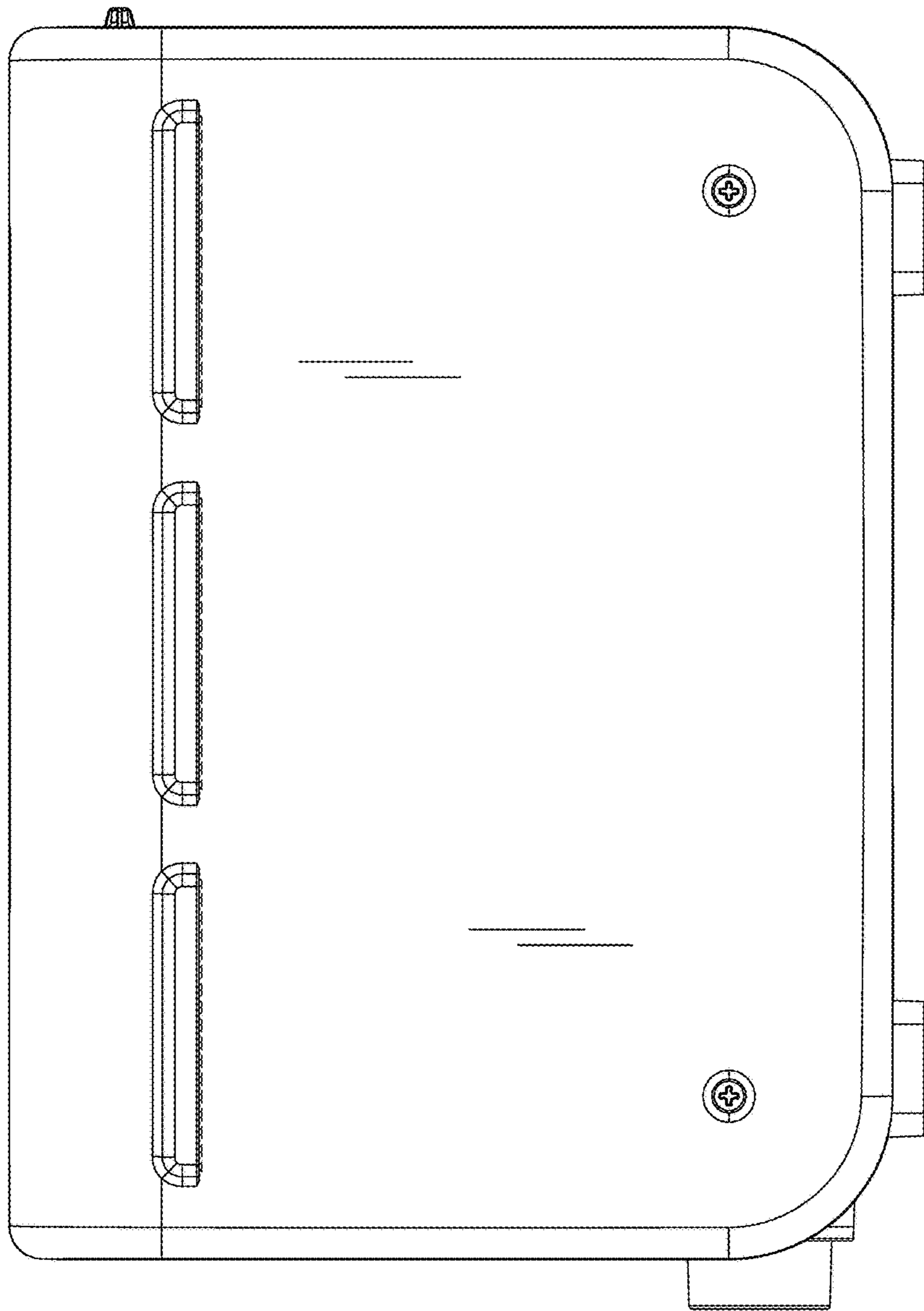


1.1

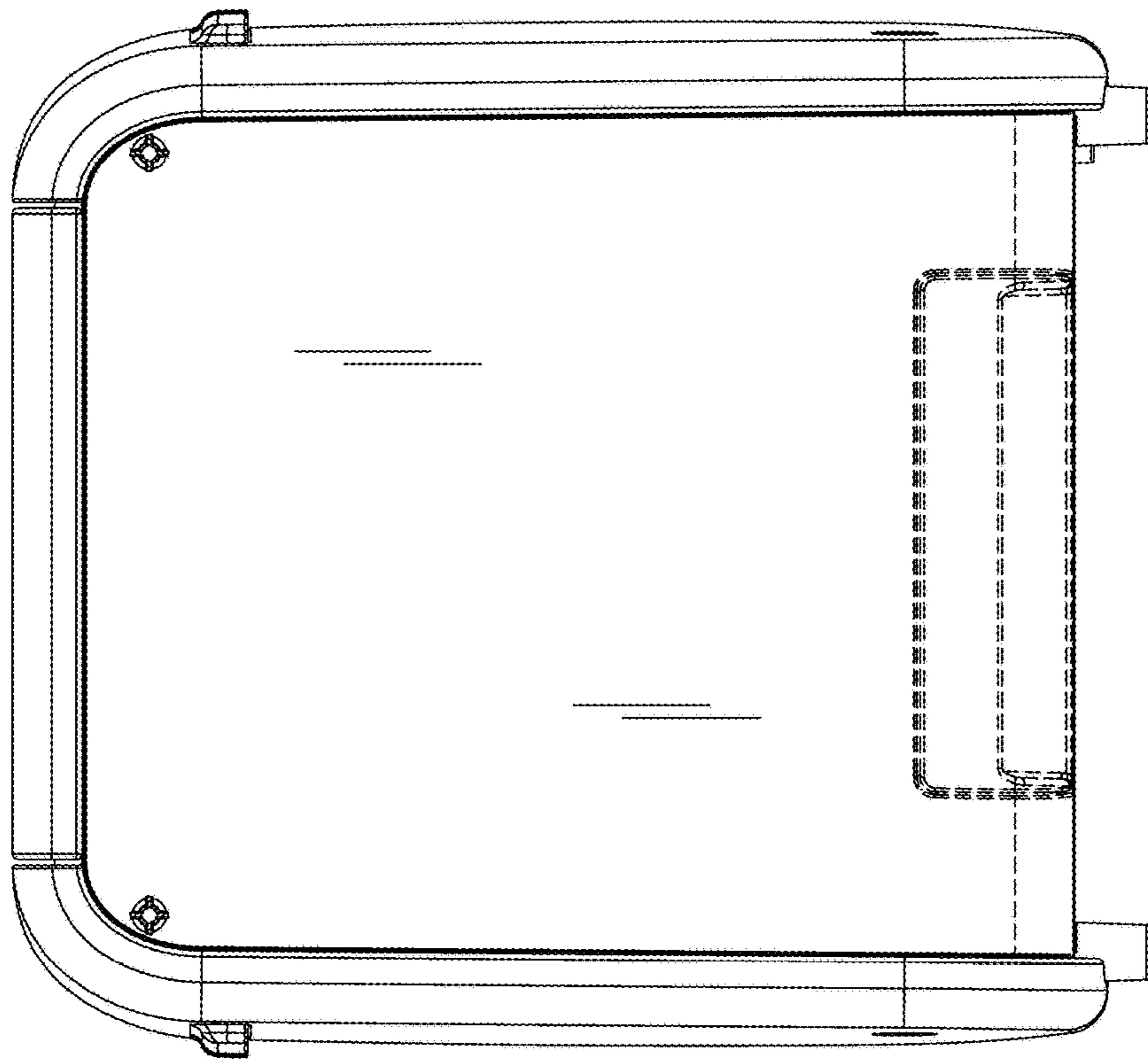




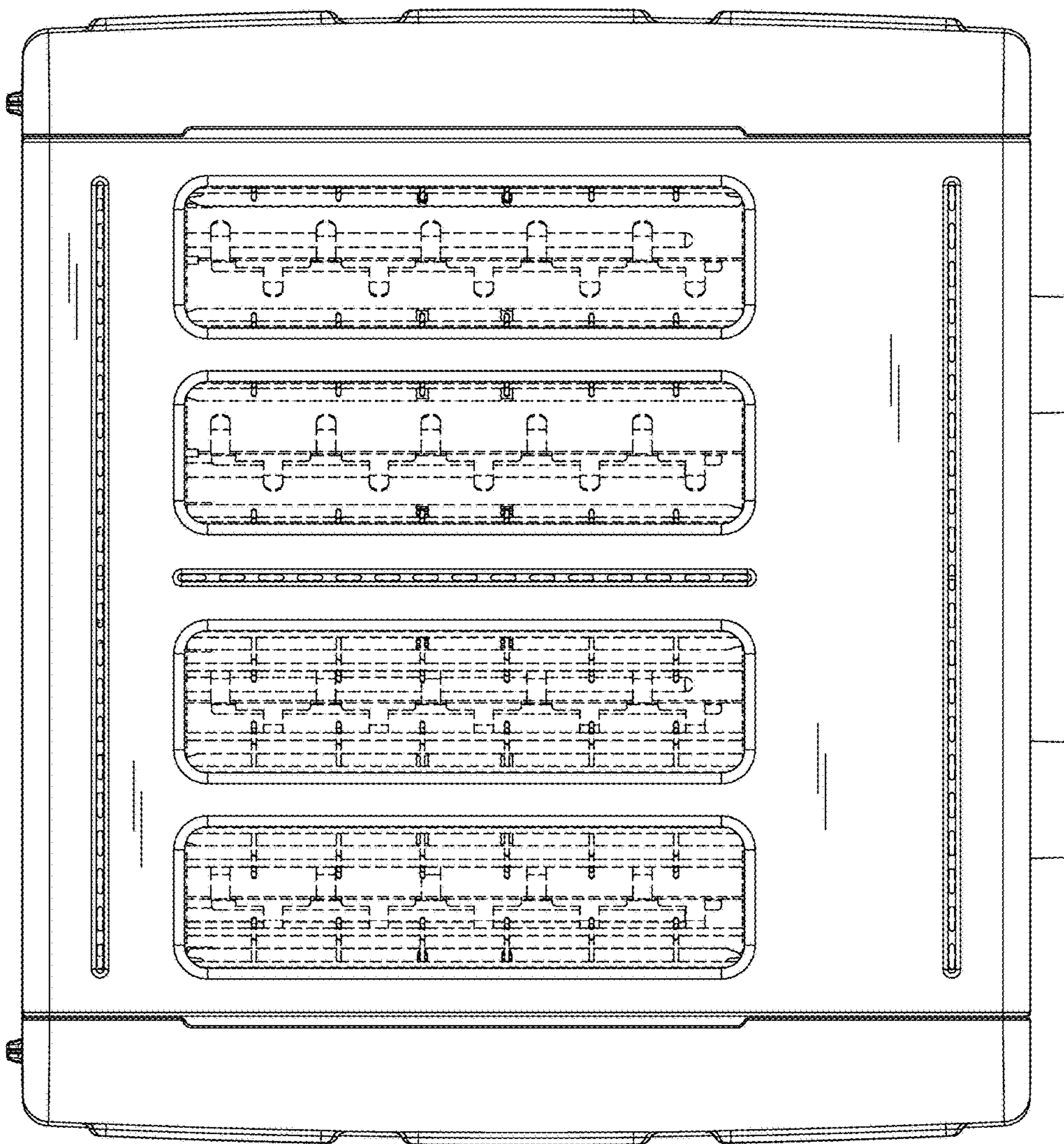
1.3



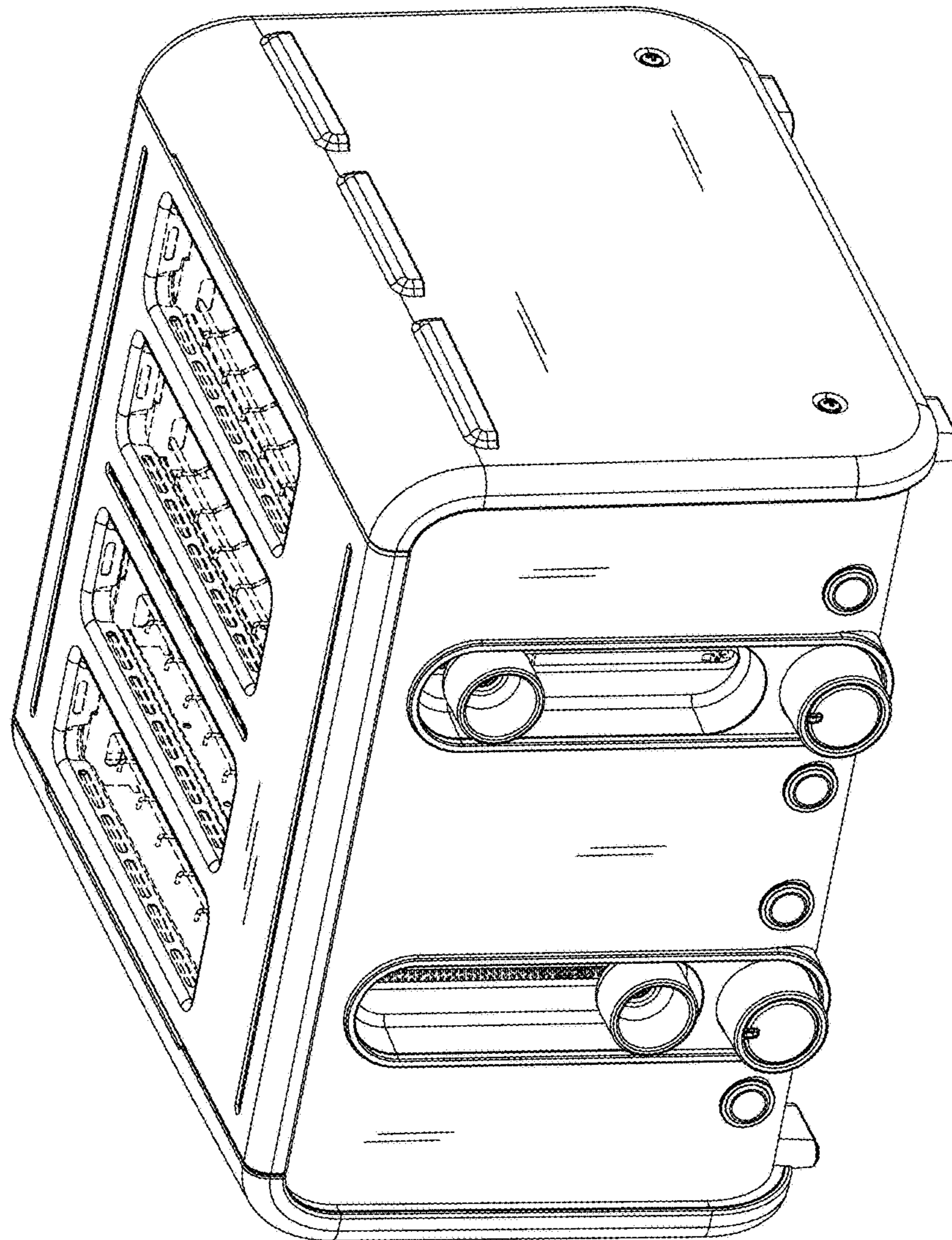
1.4



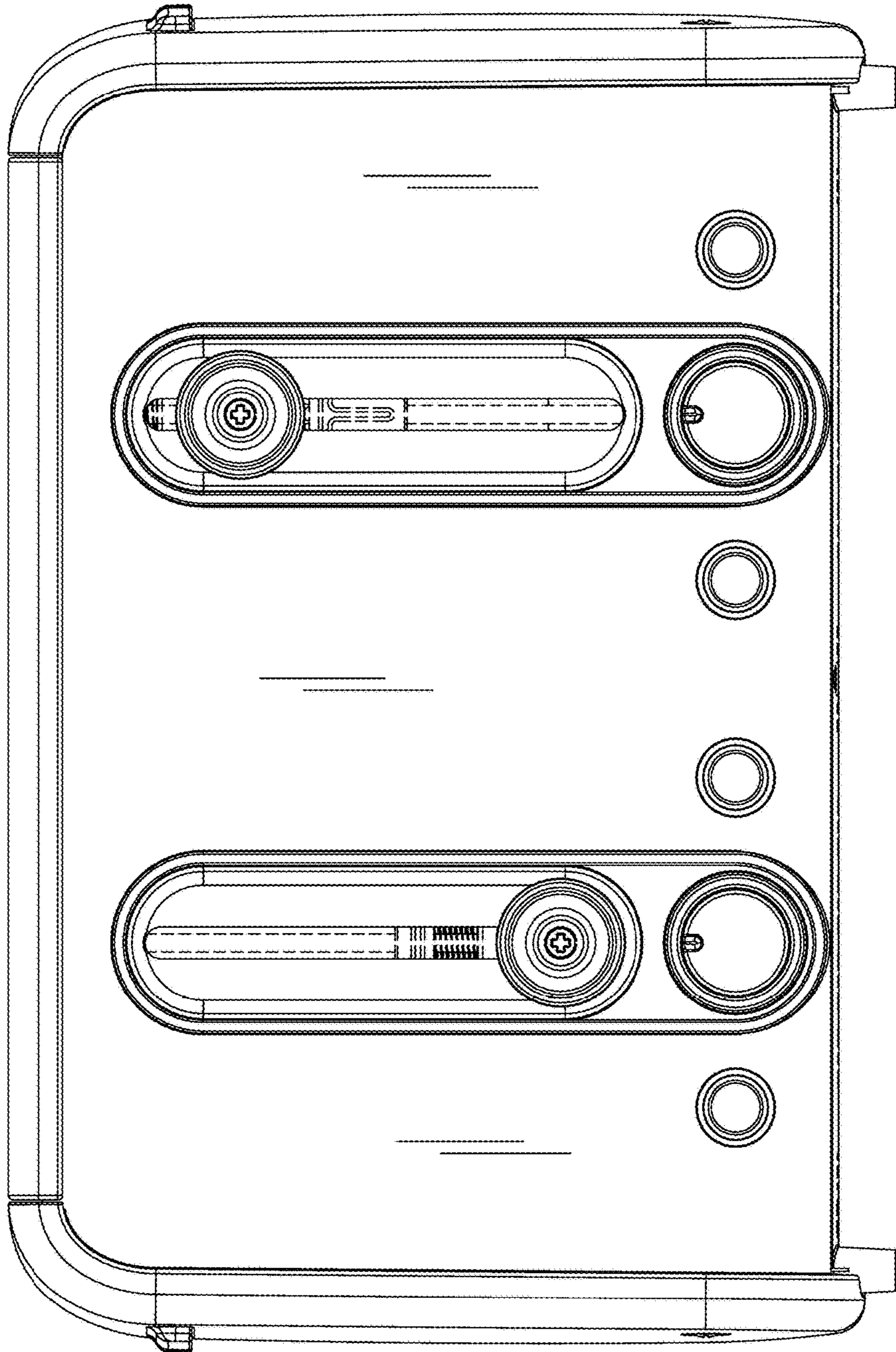
1.5



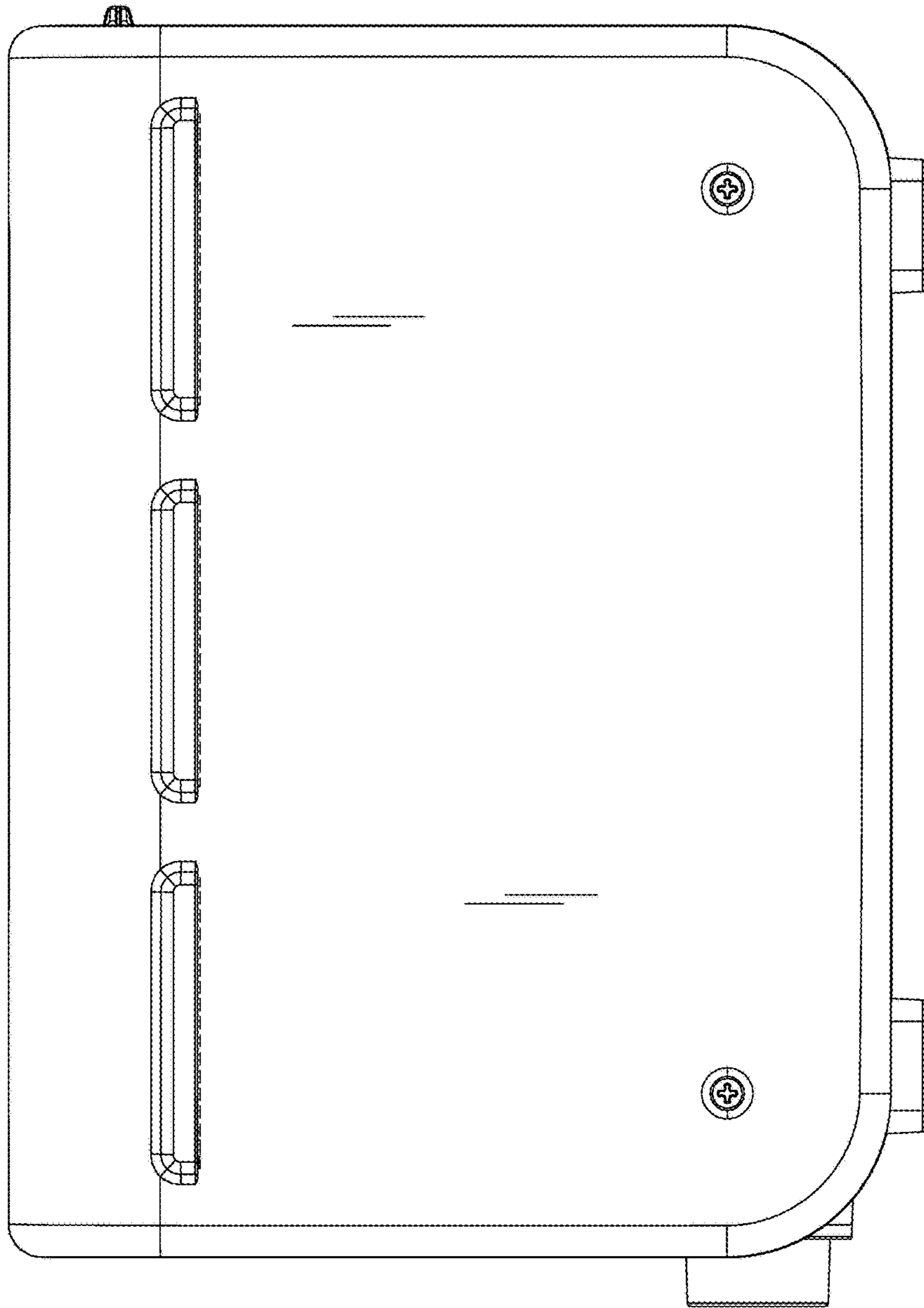
2.1



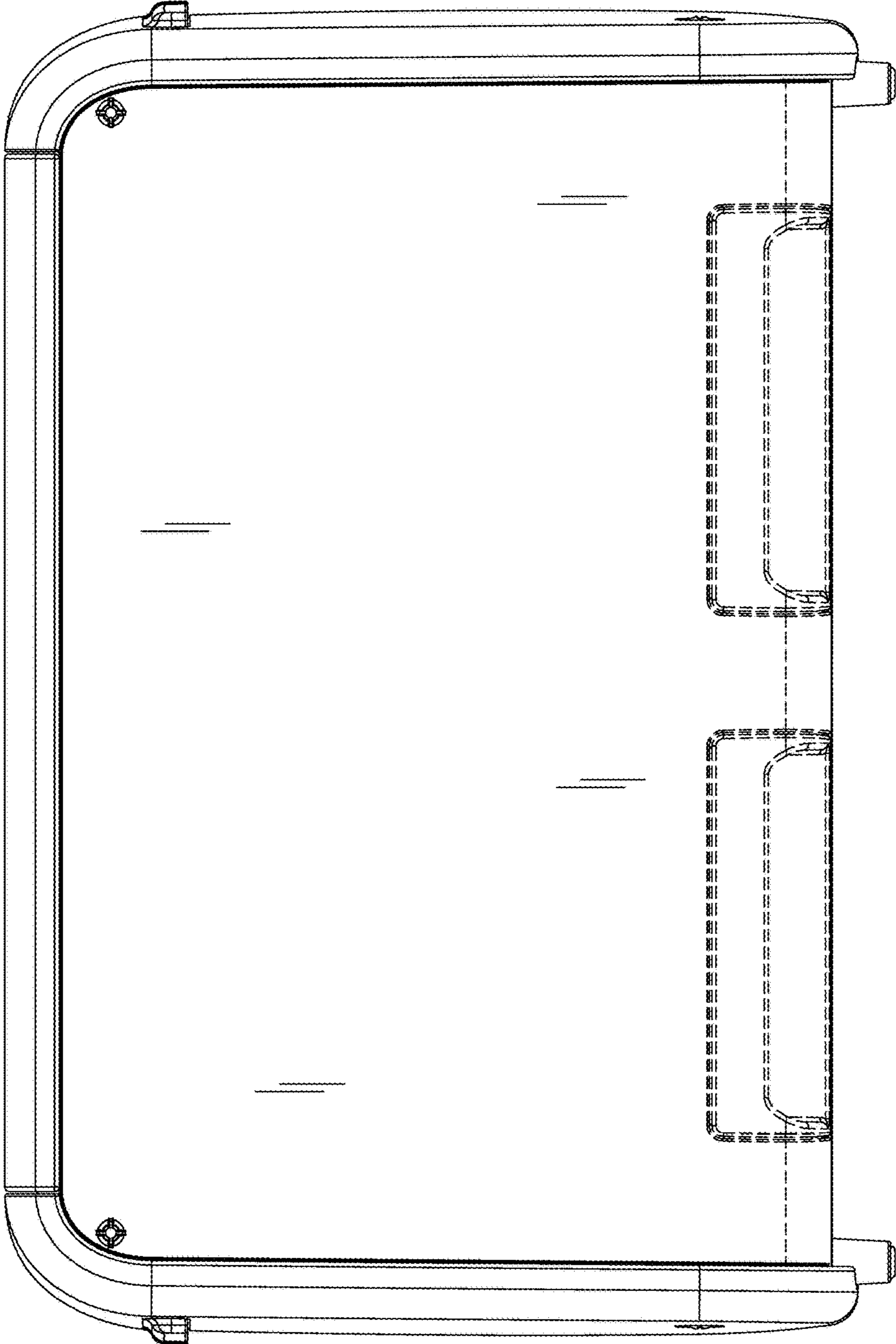
2.2



2.3



2.4



2.5