



US00D823630S

(12) **United States Design Patent** (10) **Patent No.:** **US D823,630 S**  
**Cadamuro et al.** (45) **Date of Patent:** **\*\* Jul. 24, 2018**

(54) **TOASTER OVEN**  
(71) Applicant: **Electrolux Professional S.p.A.**,  
Pordenone (IT)  
(72) Inventors: **Michele Cadamuro**, Cimadolmo (IT);  
**Daive Benvenuti**, Fiume Veneto (IT)  
(73) Assignee: **Electrolux Professional S.p.A.**,  
Pordenone (IT)  
(\*\*) Term: **15 Years**  
(21) Appl. No.: **29/566,231**  
(22) Filed: **May 27, 2016**

D360,104 S \* 7/1995 Wistrand ..... D7/350.2  
D366,389 S \* 1/1996 Inoue ..... D7/350.2  
D371,932 S \* 7/1996 Lee ..... D7/350.2  
D381,551 S \* 7/1997 Sternberg ..... D7/332  
D393,176 S \* 4/1998 Jung ..... D7/350.2  
D394,582 S \* 5/1998 Micoley ..... D7/350.2  
D406,983 S \* 3/1999 Wang ..... D7/350.2  
D459,140 S \* 6/2002 Bellerose ..... D7/328  
6,617,554 B2 \* 9/2003 Moon ..... A47J 37/0623  
219/481  
6,945,160 B2 \* 9/2005 Christensen ..... A47J 37/067  
126/25 R  
7,117,866 B2 \* 10/2006 Cantal ..... A47J 37/0623  
126/41 R  
D657,606 S \* 4/2012 Tsai ..... D7/350.2  
D676,273 S \* 2/2013 Liu ..... D7/352

(Continued)

(30) **Foreign Application Priority Data**  
Nov. 27, 2015 (EM) ..... 002879767  
(51) **LOC (11) Cl.** ..... **07-02**  
(52) **U.S. Cl.**  
USPC ..... **D7/328**  
(58) **Field of Classification Search**  
USPC ..... D7/328, 334, 336-338, 350.1-350.2,  
D7/347-348, 352, 362, 363;  
D21/523-525; 219/685; 426/231;  
99/447  
CPC .... H05B 6/6417; H05B 6/647; A47J 37/0763;  
A47J 37/041; A47J 37/0704; A47J 37/00;  
A47J 37/04; A47J 37/06; A47J 37/067;  
A47J 37/0605; A47J 37/0611; A47J  
37/0623; A47J 37/0629; A47J 37/0676;  
A21B 5/023  
See application file for complete search history.

**FOREIGN PATENT DOCUMENTS**

EP 1912024 A2 \* 4/2008 ..... F24C 15/2035  
*Primary Examiner* — Caron D Veynar  
*Assistant Examiner* — Mehri F Bajoul  
(74) *Attorney, Agent, or Firm* — Banner & Witcoff, Ltd.

(57) **CLAIM**

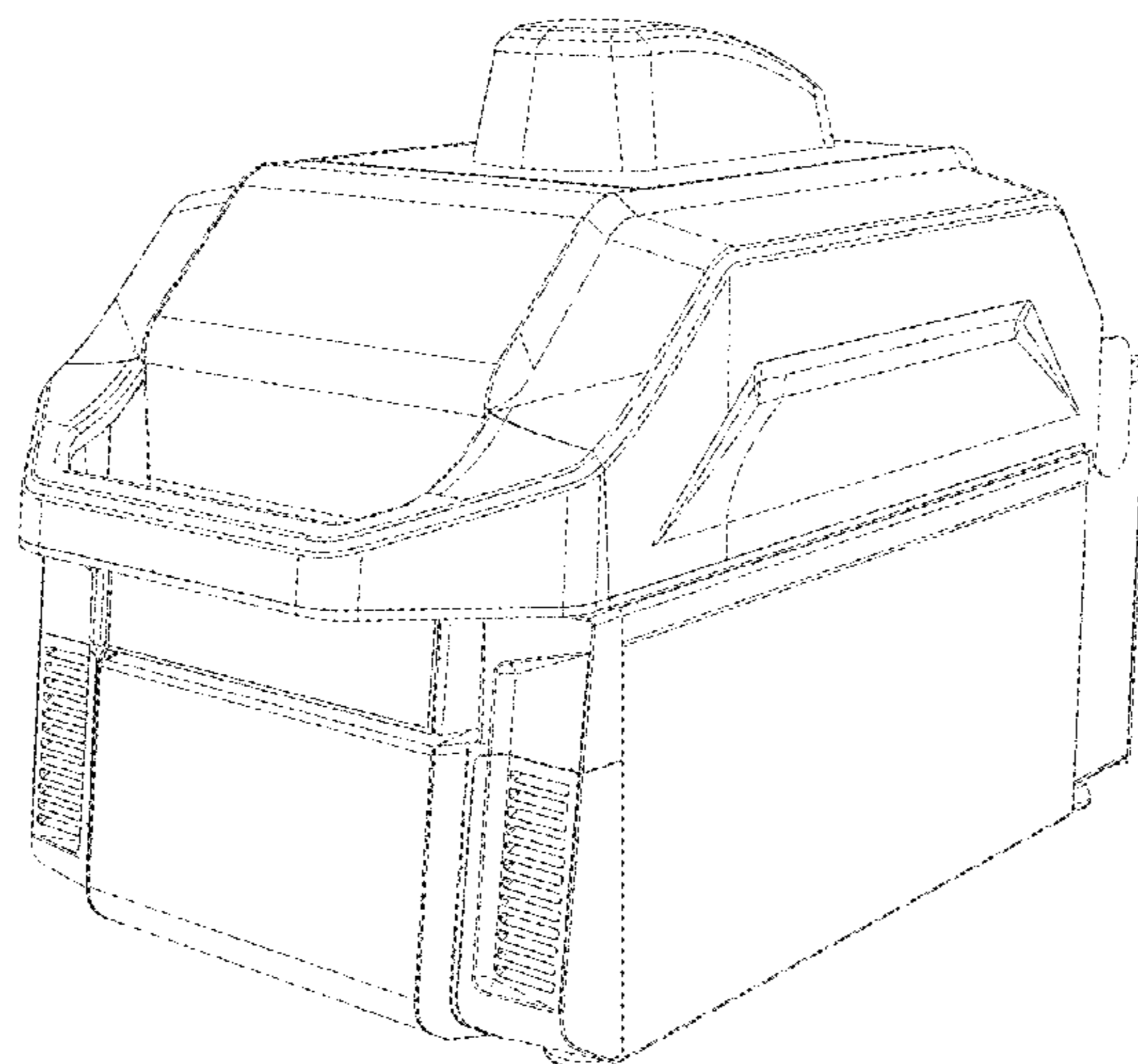
The ornamental design for a toaster oven, as shown and described.

**DESCRIPTION**

FIG. 1 is a perspective view of a toaster oven showing our new design;  
FIG. 2 is a front view thereof;  
FIG. 3 is a top view thereof;  
FIG. 4 is a left view thereof;  
FIG. 5 is a right view thereof;  
FIG. 6 is a rear view thereof; and,  
FIG. 7 is a bottom view thereof.  
The broken lines in the drawings represent portions of the toaster oven that form no part of the claimed design.

**1 Claim, 7 Drawing Sheets**

(56) **References Cited**  
**U.S. PATENT DOCUMENTS**  
D265,162 S \* 6/1982 Bales ..... D7/336  
D286,368 S \* 10/1986 Henke ..... D7/338  
D325,147 S \* 4/1992 Watanabe ..... D7/350.2



(56)

**References Cited**

U.S. PATENT DOCUMENTS

2008/0087272 A1\* 4/2008 Baumann ..... F24C 15/2035  
126/299 D  
2013/0306616 A1\* 11/2013 Wildebush ..... A47J 37/0857  
219/413  
2014/0224240 A1\* 8/2014 Chung ..... A47J 37/041  
126/25 R  
2016/0051086 A1\* 2/2016 De' Longhi ..... A47J 37/0641  
99/447  
2016/0100462 A1\* 4/2016 Morassut ..... F24C 15/2007  
426/231  
2016/0309956 A1\* 10/2016 Glucksman ..... A47J 37/041  
2016/0353928 A1\* 12/2016 Montoya ..... A47J 37/0664  
2016/0360923 A1\* 12/2016 Buzick ..... A47J 37/0688  
2016/0381740 A1\* 12/2016 D'Andrea ..... A47J 36/10  
219/685  
2017/0099986 A1\* 4/2017 Patel ..... A47J 37/045

\* cited by examiner

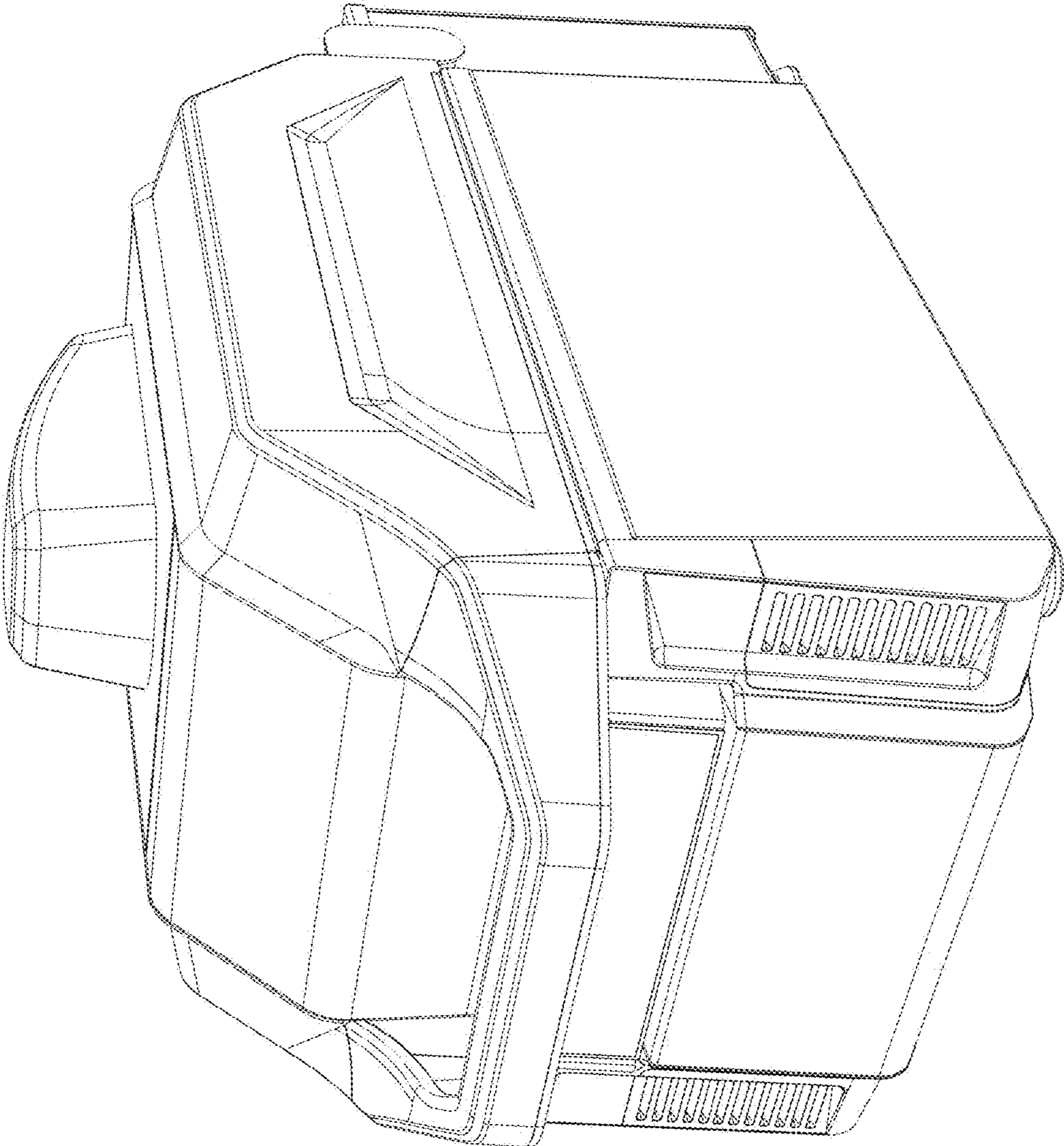


FIG. 1

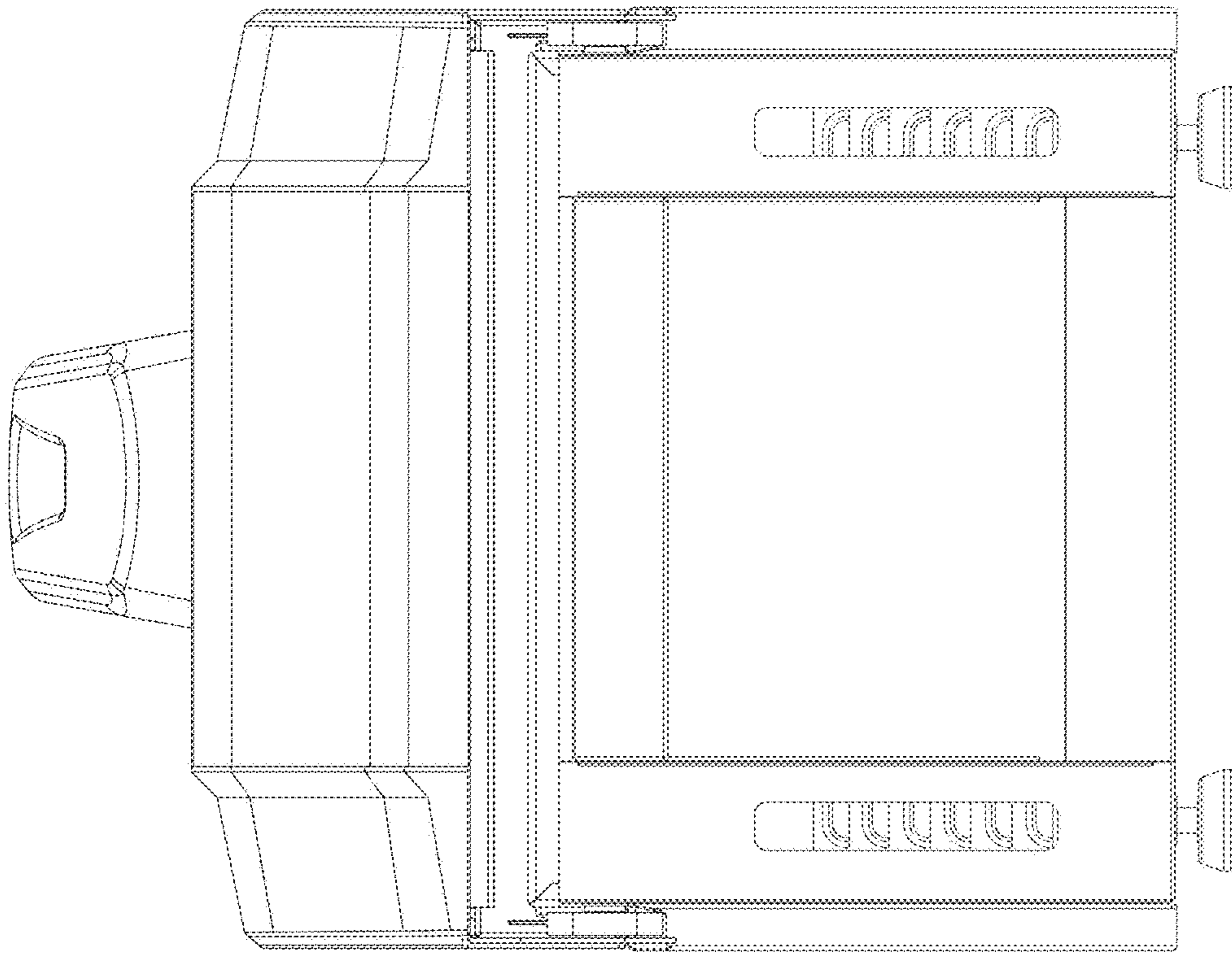


FIG. 2

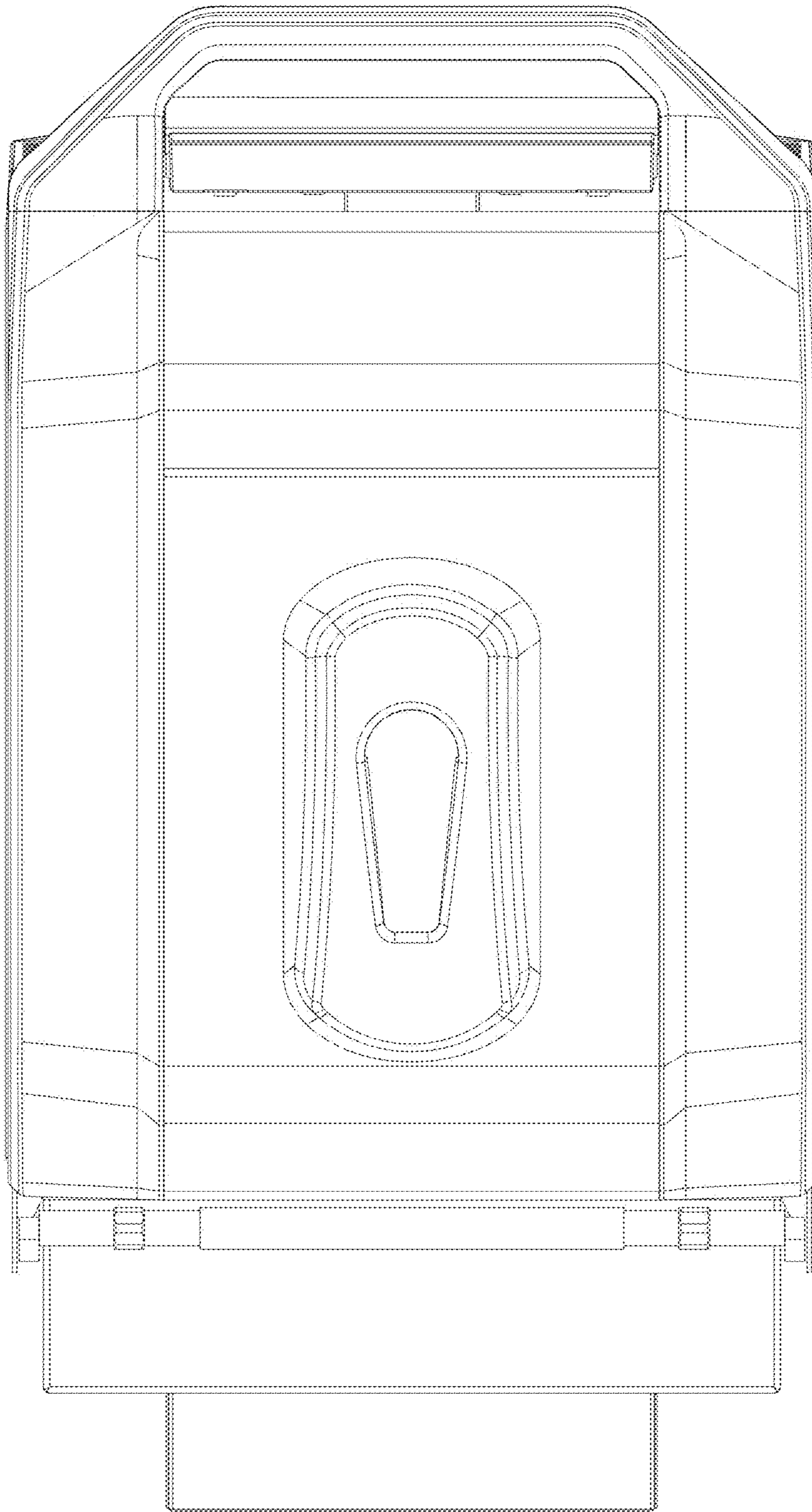


FIG. 3

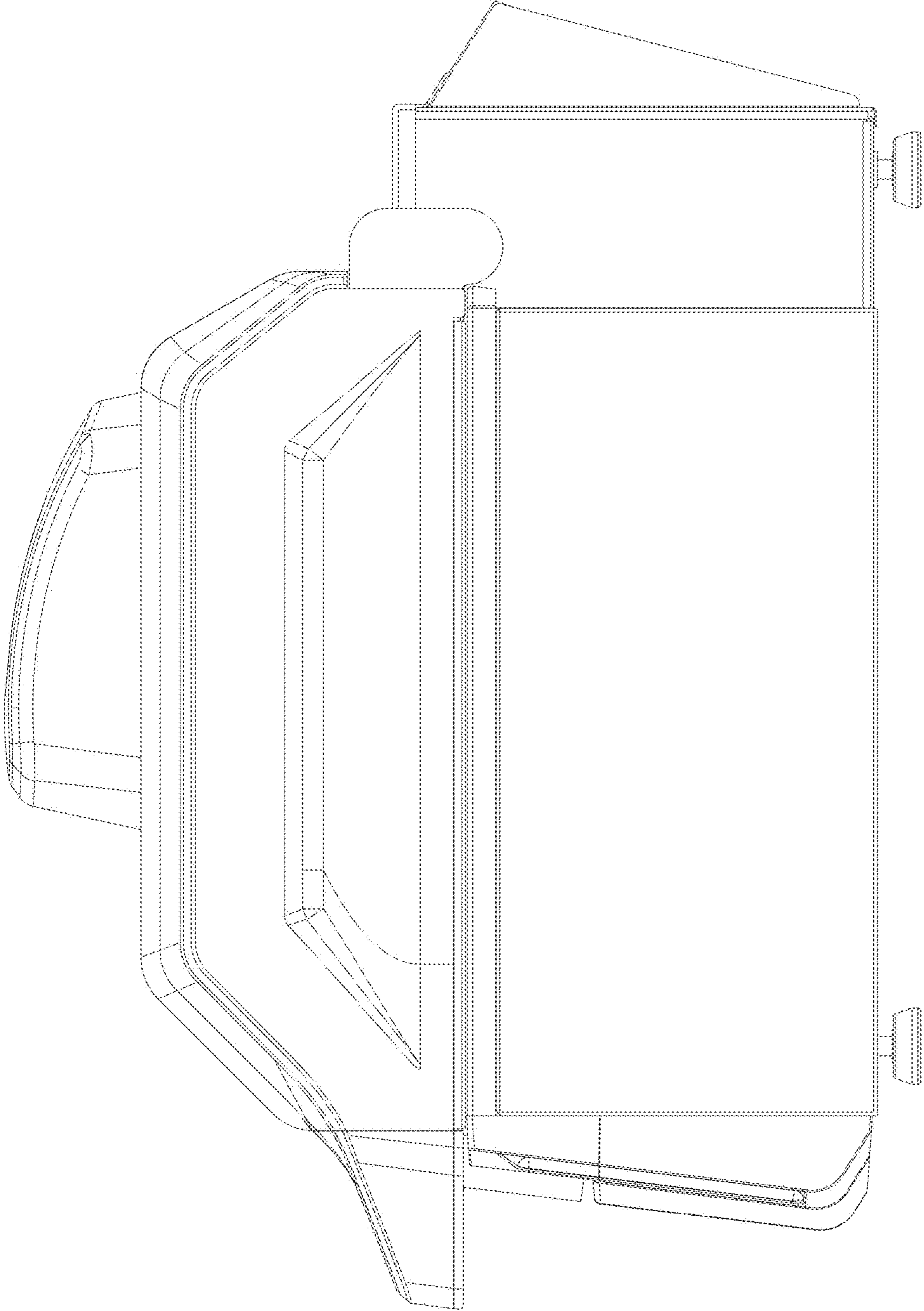


FIG. 4

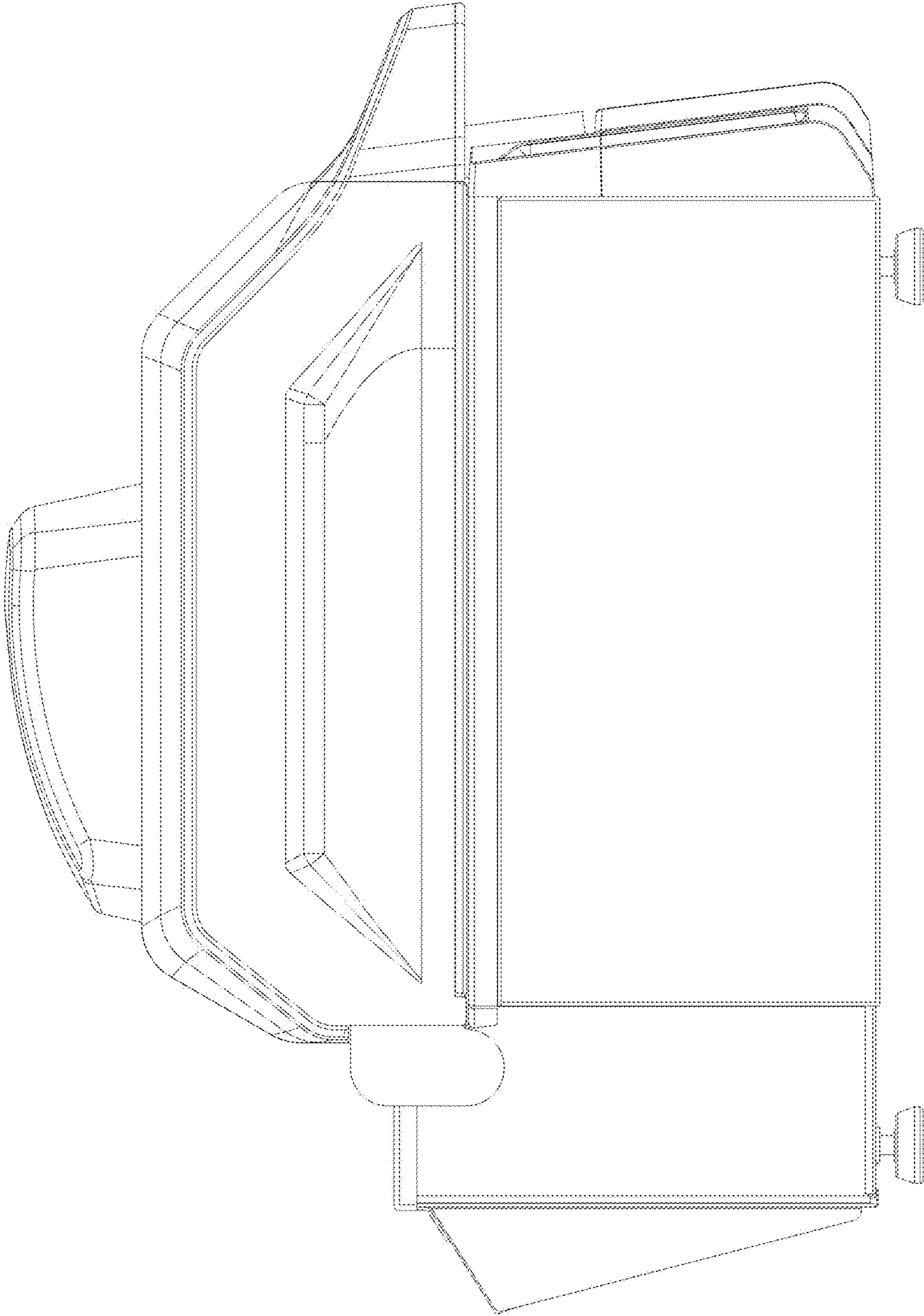


FIG. 5

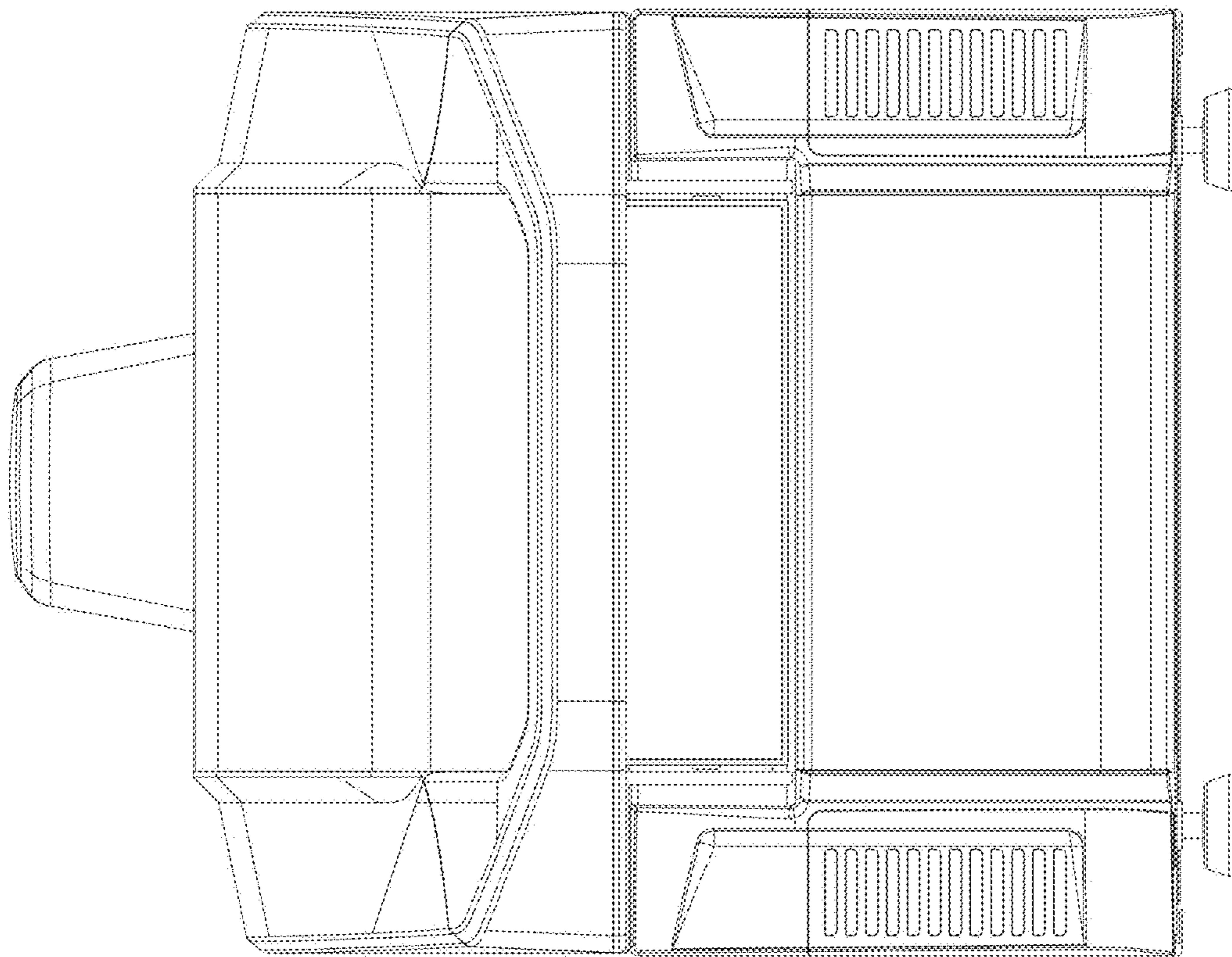


FIG. 6



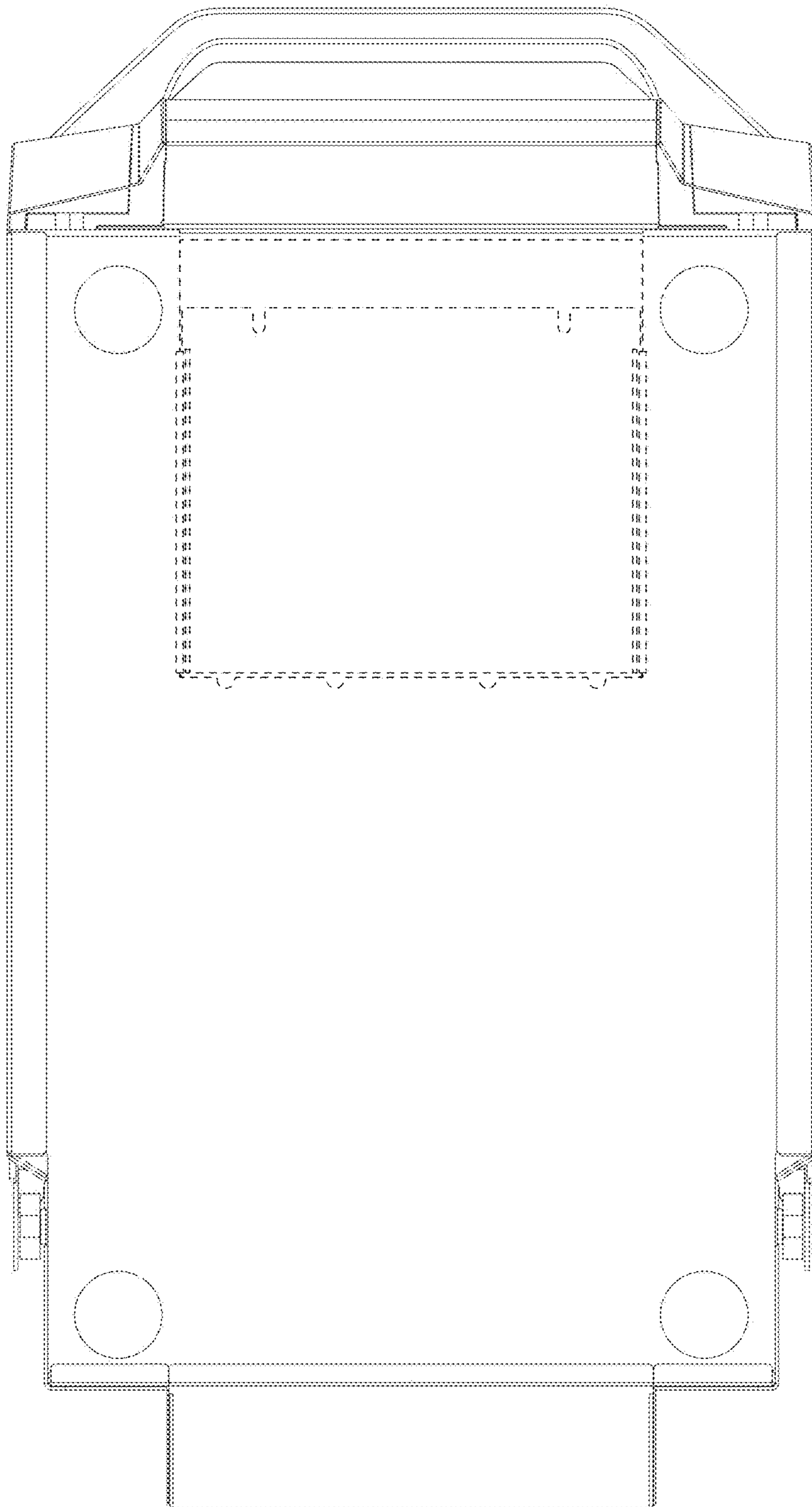


FIG. 7