



US00D823628S

(12) **United States Design Patent** (10) **Patent No.:** **US D823,628 S**  
**Steiner** (45) **Date of Patent:** **\*\* Jul. 24, 2018**

(54) **COFFEEMAKER**  
(71) Applicant: **Hamilton Beach Brands, Inc.**, Glen Allen, VA (US)  
(72) Inventor: **Mark C Steiner**, Midlothian, VA (US)  
(73) Assignee: **Hamilton Beach Brands, Inc.**, Glen Allen, VA (US)  
(\*\*) Term: **15 Years**  
(21) Appl. No.: **29/586,175**

D758,120 S \* 6/2016 Garman ..... D7/306  
D760,008 S \* 6/2016 Moon, II ..... D7/306  
D769,662 S \* 10/2016 Palermo ..... D7/306  
D769,663 S \* 10/2016 Palermo ..... D7/306  
D771,992 S \* 11/2016 Yang ..... D7/306  
D771,993 S \* 11/2016 Cai ..... D7/309  
D781,633 S \* 3/2017 Cahen ..... D7/306  
D785,392 S \* 5/2017 Palermo ..... D7/306  
D786,602 S \* 5/2017 Palermo ..... D7/306  
D788,510 S \* 6/2017 Steiner ..... D7/306  
D792,731 S \* 7/2017 Palermo ..... D7/306  
D796,242 S \* 9/2017 Palermo ..... D7/307  
D801,506 S \* 10/2017 Sevy ..... D23/366  
D803,611 S \* 11/2017 Hanneson ..... D7/306  
2013/0129871 A1 \* 5/2013 Ye ..... A47J 31/3623  
426/115

(22) Filed: **Dec. 1, 2016**  
(51) **LOC (11) Cl.** ..... **07-01**  
(52) **U.S. Cl.**  
USPC ..... **D7/309; D7/306; D7/311**  
(58) **Field of Classification Search**  
USPC ..... D7/300, 309-311, 306-308, 305, 355,  
D7/362, 365, 367; 222/146.6, 185.1, 135;  
99/295, 273, 304, 288, 279, 307, 283  
CPC ..... A47J 31/46; A47J 31/407; A47J 31/50;  
A47J 31/18; A47J 31/00; A47J 27/04;  
A47J 31/0573; A47J 31/52; A47J  
31/0642; A47J 31/3628; A47J 31/4407  
See application file for complete search history.

\* cited by examiner

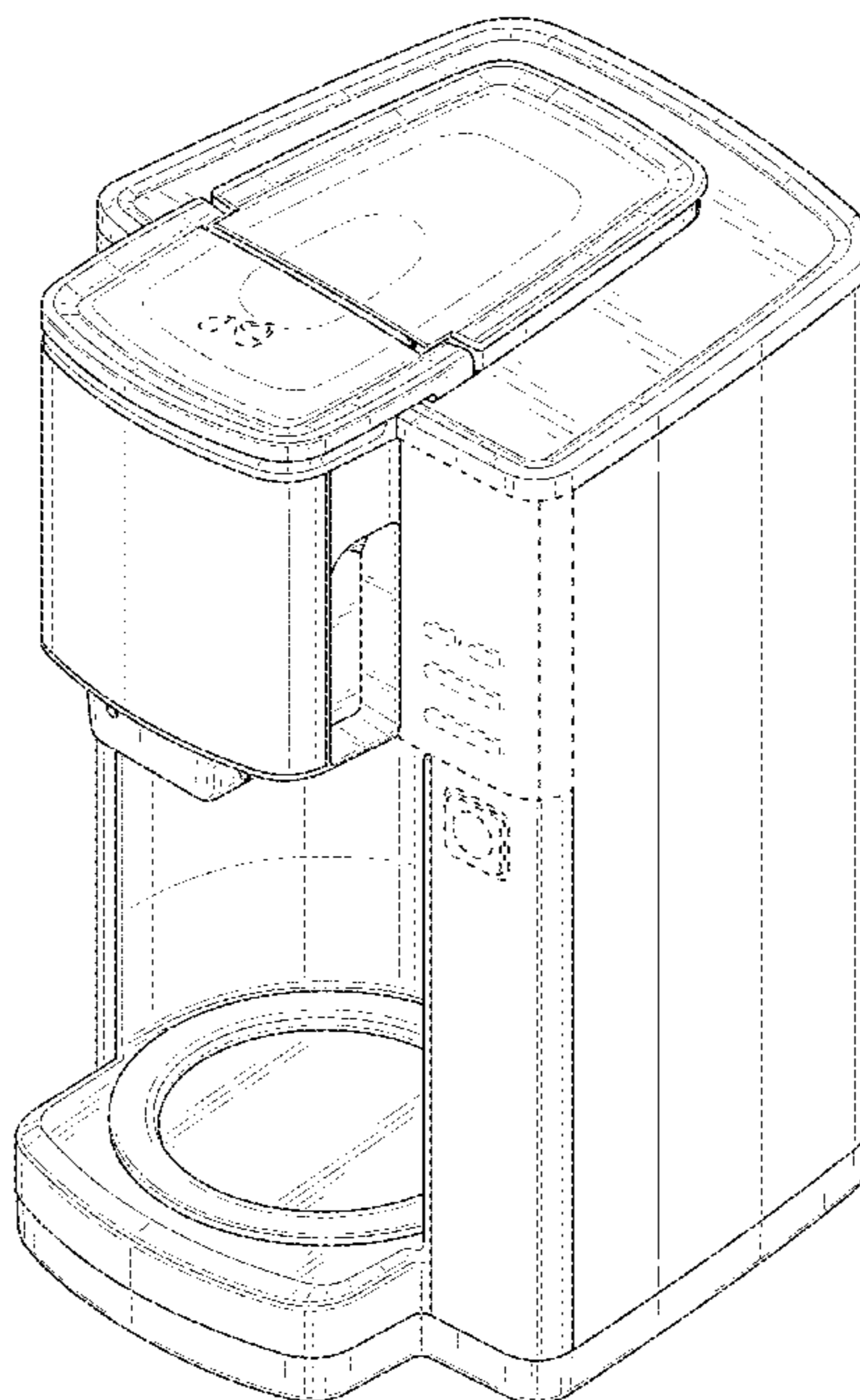
*Primary Examiner* — Marianne Pandozzi  
(74) *Attorney, Agent, or Firm* — Alexander D. Raring

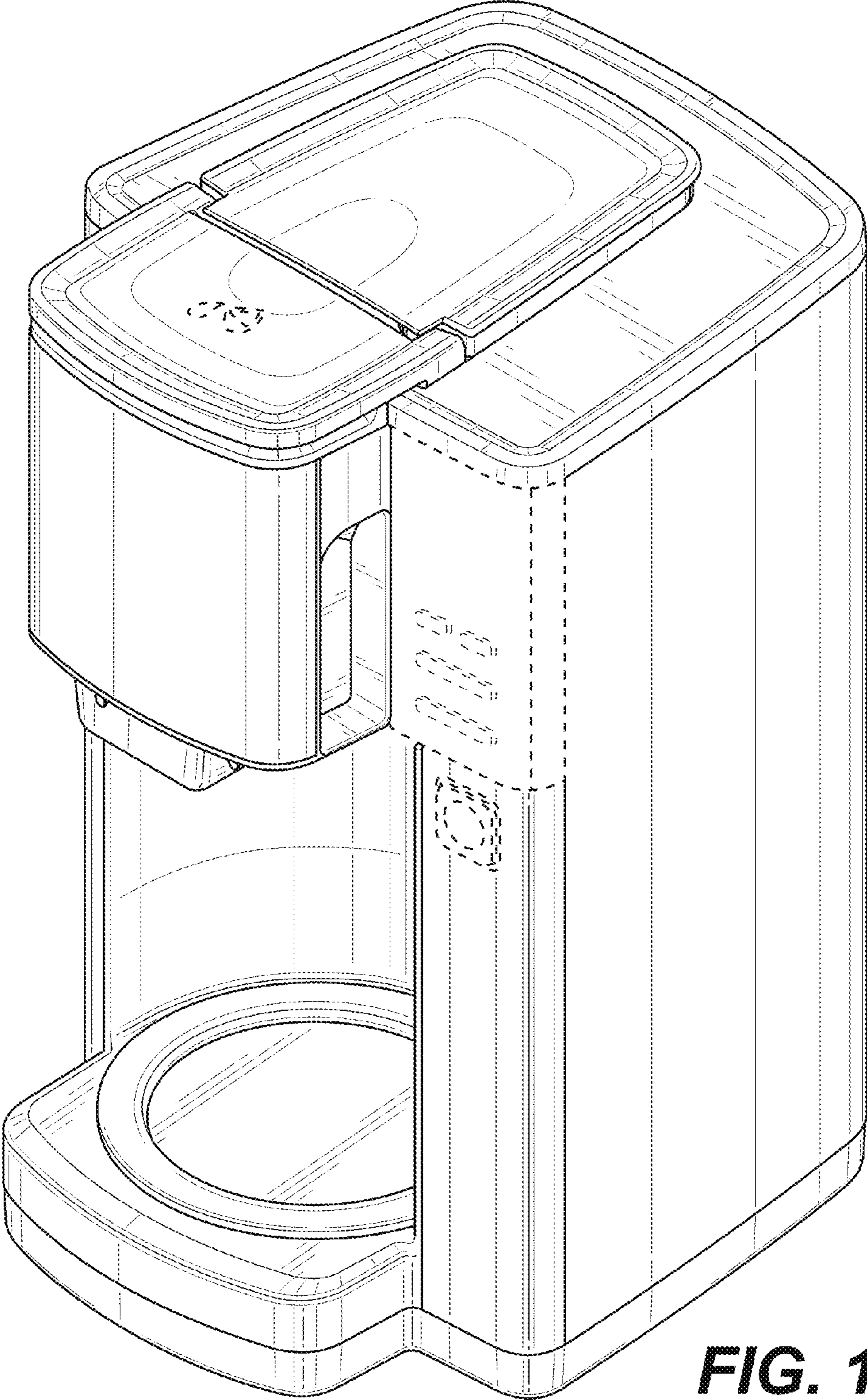
(56) **References Cited**  
U.S. PATENT DOCUMENTS  
D582,714 S \* 12/2008 Hensel ..... D7/309  
D594,688 S 6/2009 Hammad et al.  
D634,962 S 3/2011 Butler  
D634,963 S \* 3/2011 Romandy ..... D7/306  
D723,318 S \* 3/2015 Andreesen ..... D7/306  
D737,091 S \* 8/2015 Gebhardt ..... D7/309  
D738,149 S \* 9/2015 Ye ..... D7/306

(57) **CLAIM**  
The ornamental design for a coffeemaker, as shown and described.

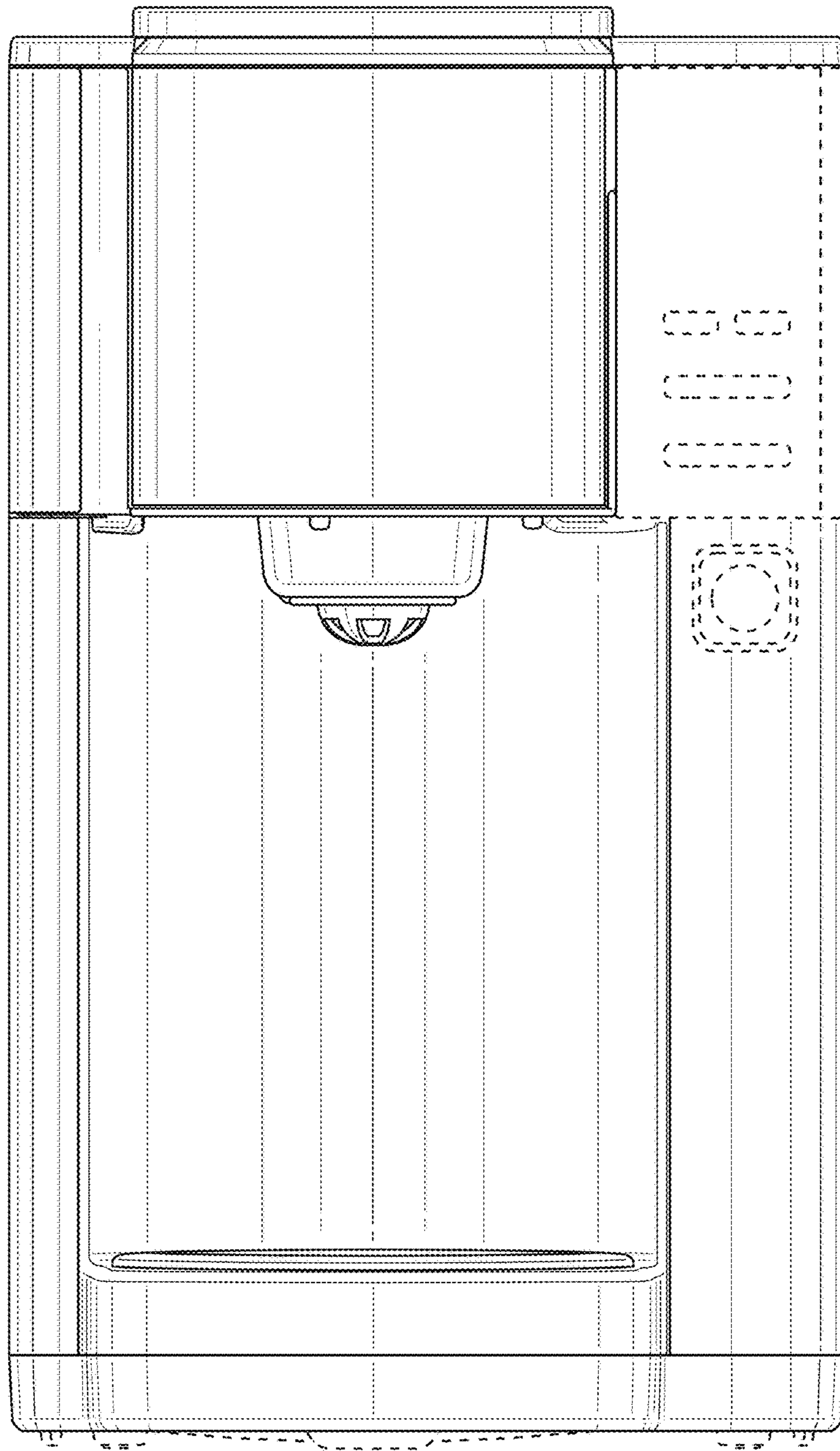
**DESCRIPTION**  
FIG. 1 is a top, right, and front perspective view of a coffeemaker showing my new design;  
FIG. 2 is a front view thereof;  
FIG. 3 is a rear view thereof;  
FIG. 4 is a right side view thereof;  
FIG. 5 is a left side view thereof;  
FIG. 6 is a top view thereof; and,  
FIG. 7 is a bottom view thereof.  
The broken lines in the drawing depict portions of the coffeemaker that form no part of the claimed design.

**1 Claim, 7 Drawing Sheets**

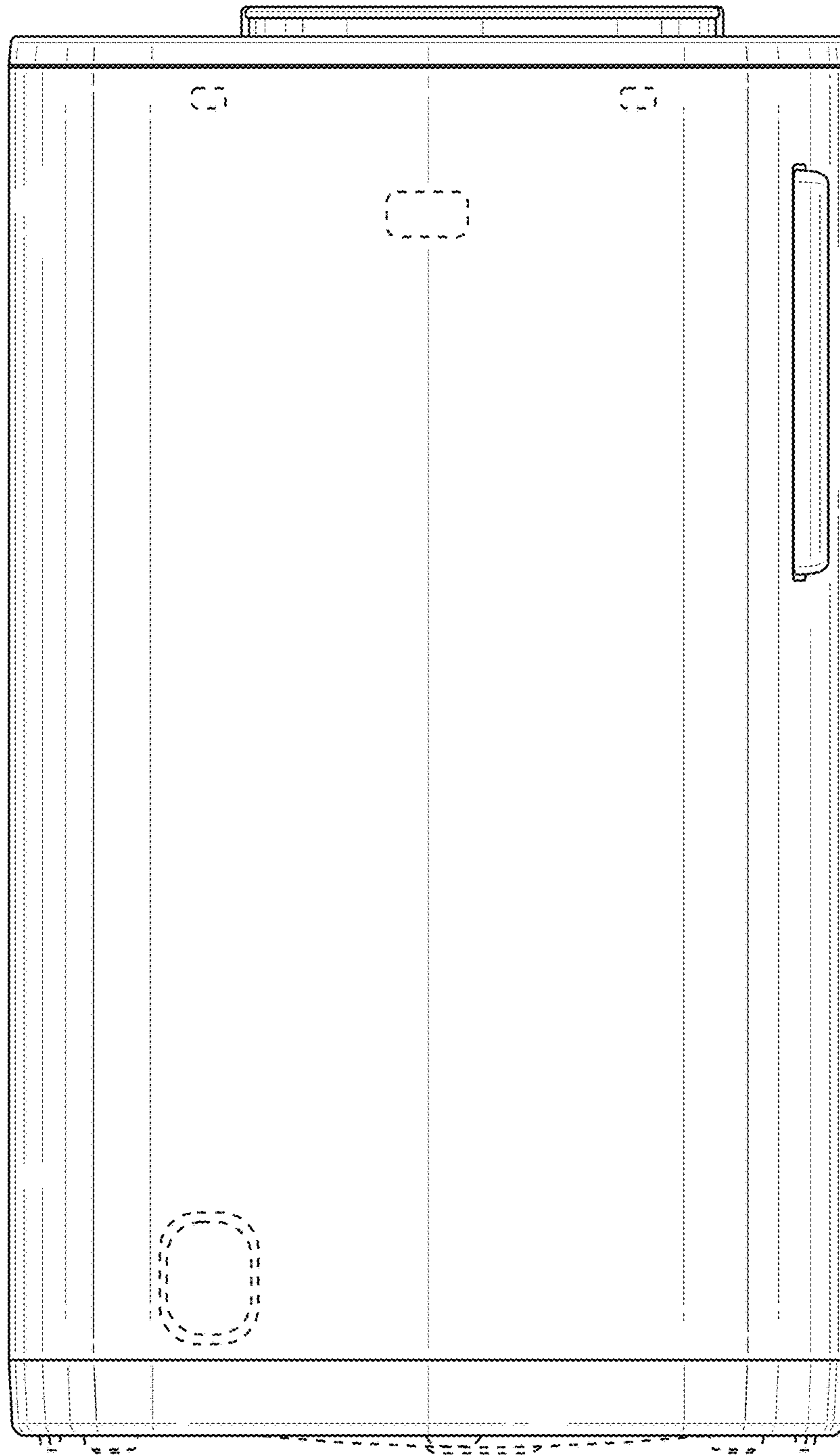




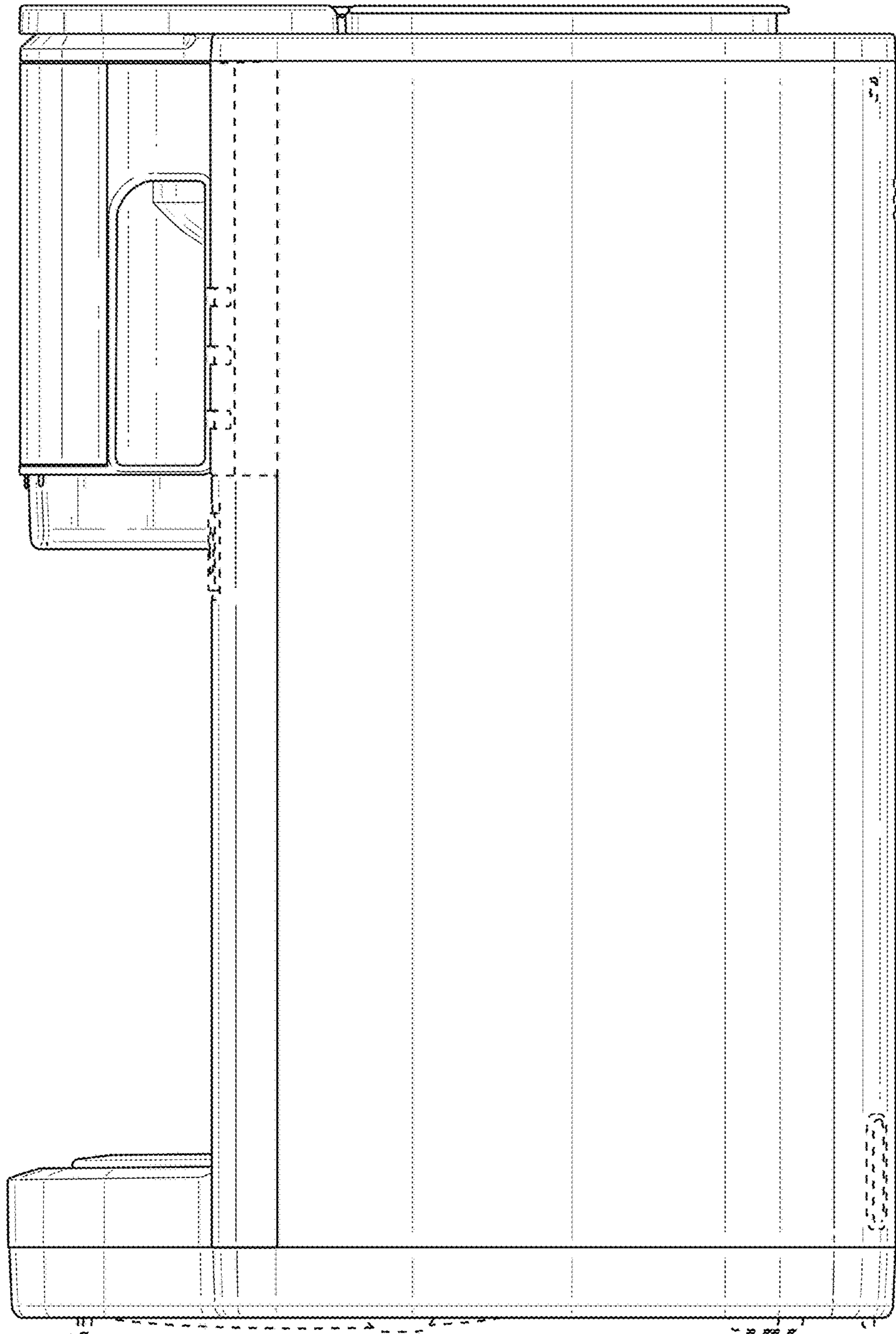
**FIG. 1**



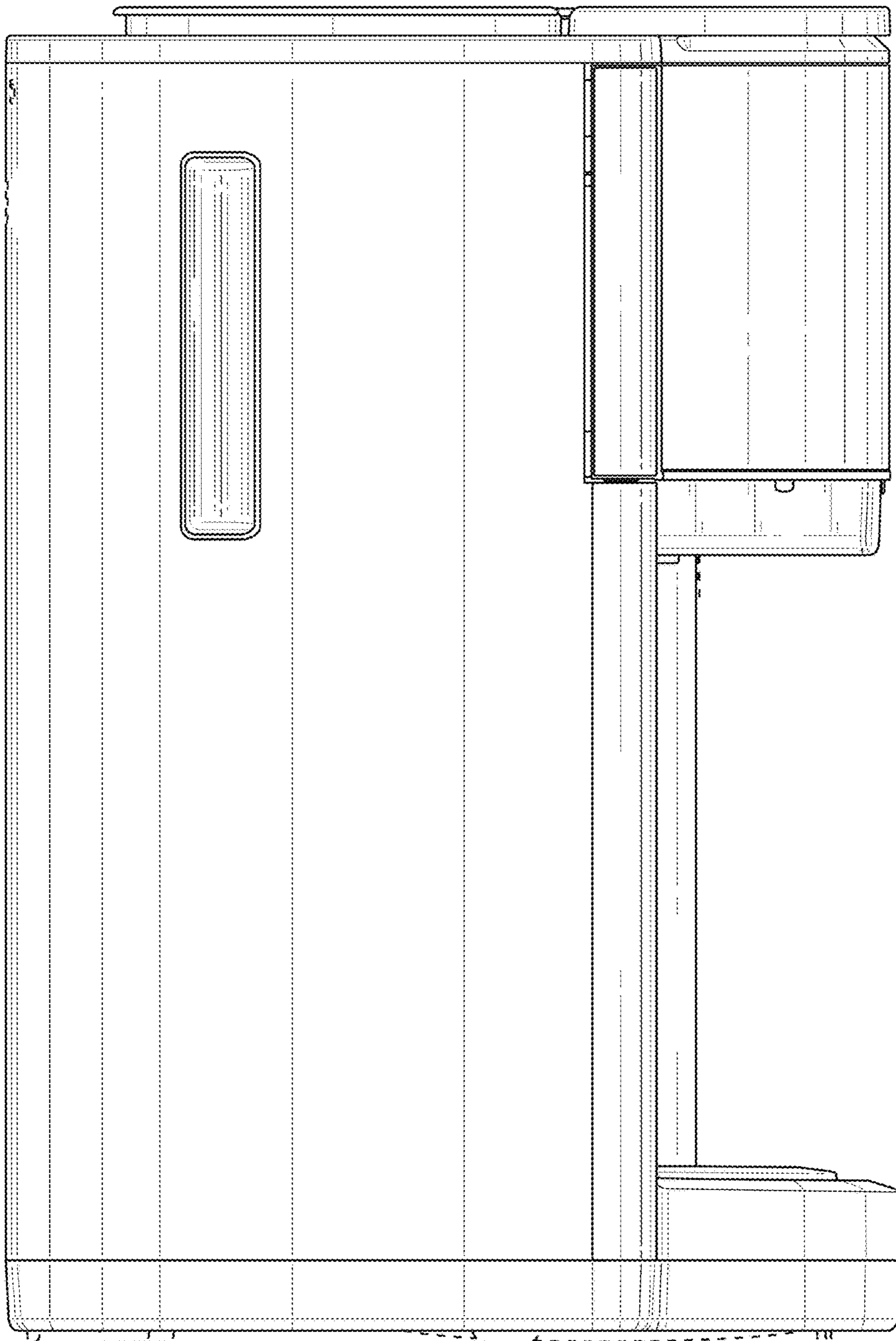
**FIG. 2**



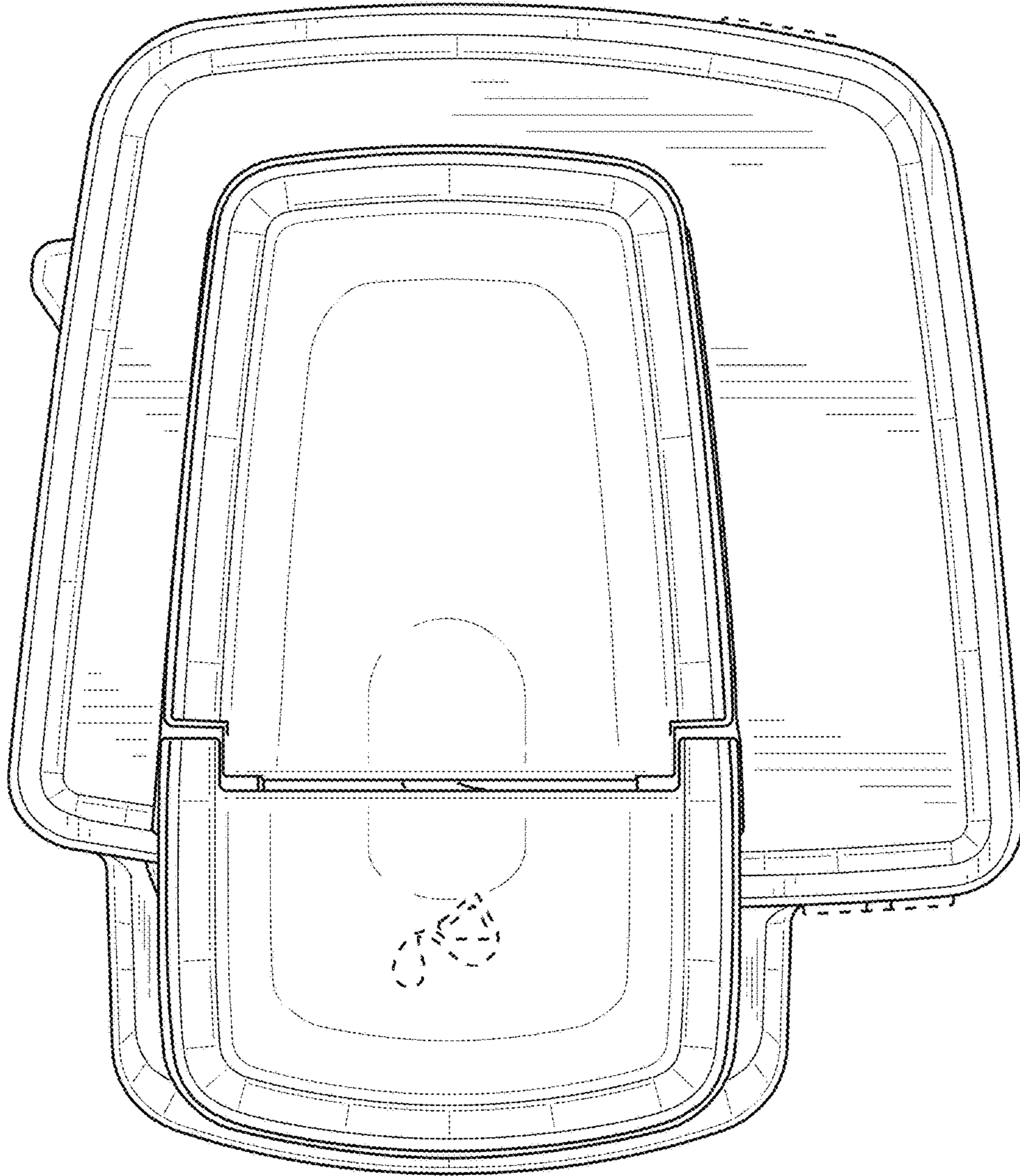
**FIG. 3**



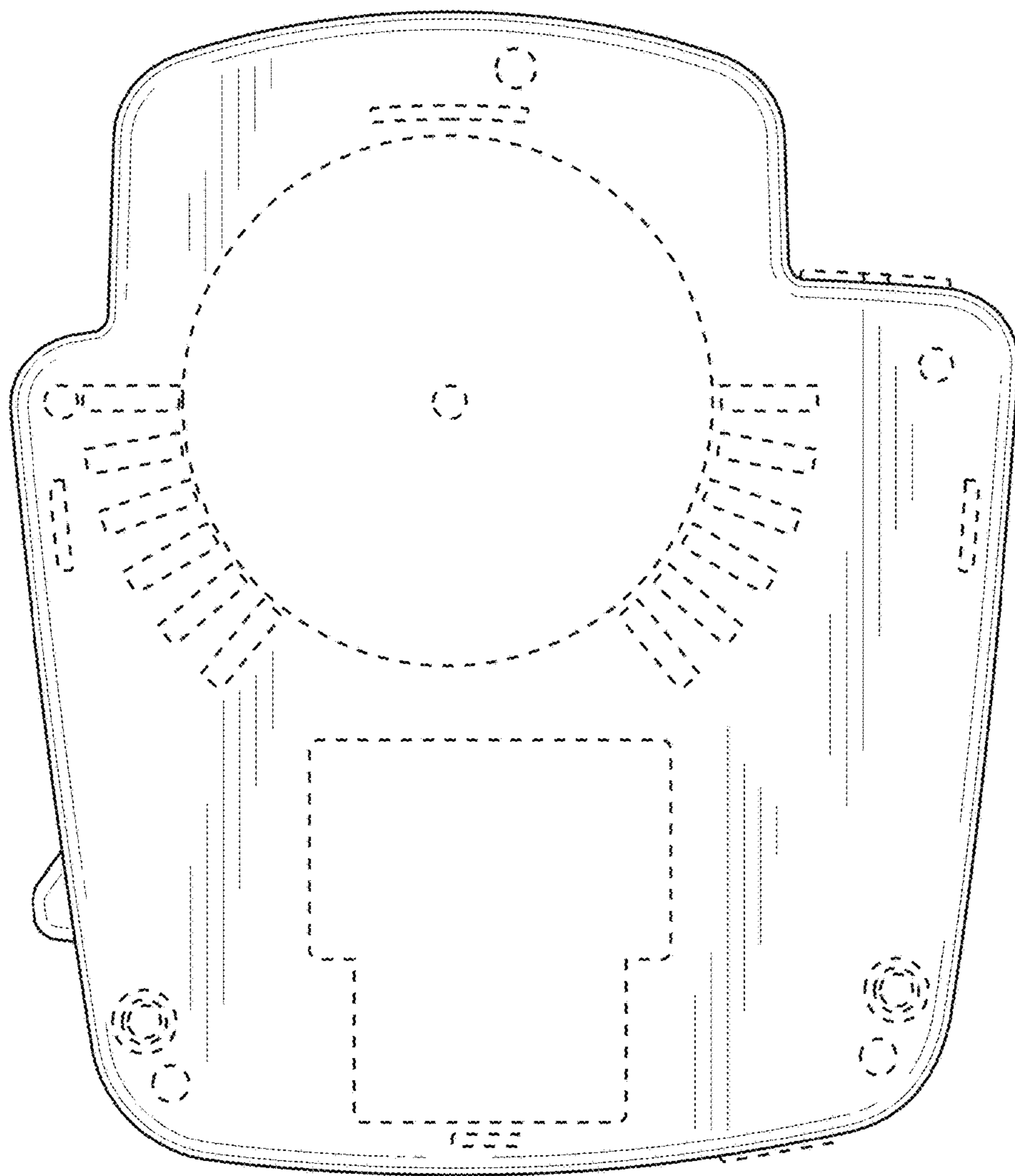
**FIG. 4**



**FIG. 5**



**FIG. 6**



**FIG. 7**