



US00D823626S

(12) **United States Design Patent**
Chen

(10) **Patent No.:** **US D823,626 S**

(45) **Date of Patent:** **** Jul. 24, 2018**

(54) **FRAME FOR THE BACK OF A CHAIR**

(71) Applicant: **Hsin-Chieh Chen**, Kaohsiung (TW)

(72) Inventor: **Hsin-Chieh Chen**, Kaohsiung (TW)

(**) Term: **15 Years**

(21) Appl. No.: **29/608,727**

(22) Filed: **Jun. 26, 2017**

(51) **LOC (11) Cl.** **06-01**

(52) **U.S. Cl.**

USPC **D6/716.4**; D6/366

(58) **Field of Classification Search**

USPC D6/334-336, 364, 365, 366, 374, 379,

D6/380, 716, 716.1, 716.2, 716.4

CPC A47C 7/004; A47C 7/006; A47C 7/022;

A47C 7/18; A47C 7/24; A47C 7/282;

A47C 7/40; A47C 7/46

See application file for complete search history.

(56) **References Cited**

U.S. PATENT DOCUMENTS

6,848,744 B1 * 2/2005 Raftery A47C 31/02
297/284.1

D641,573 S * 7/2011 Tsai D6/716.4

D766,026 S * 9/2016 Wu D6/716.4

D772,592 S * 11/2016 Su D6/366

D782,238 S * 3/2017 Jun D6/716.4

D793,140 S * 8/2017 Tsai D6/716.4

D793,141 S * 8/2017 Igarashi D6/716.4

D810,487 S * 2/2018 Kim D6/716.4

FOREIGN PATENT DOCUMENTS

CA 2704503 A1 * 5/2009 A47C 7/282

* cited by examiner

Primary Examiner — Mimoso De

(74) *Attorney, Agent, or Firm* — Leong C. Lei

(57) **CLAIM**

The ornamental design for a frame for the back of a chair, as shown and described.

DESCRIPTION

FIG. 1 is a front perspective view of a frame for the back of a chair showing my new design;

FIG. 2 is a rear perspective view thereof;

FIG. 3 is a front elevational view thereof;

FIG. 4 is a rear elevational view thereof;

FIG. 5 is a left elevational view thereof;

FIG. 6 is a right elevational view thereof;

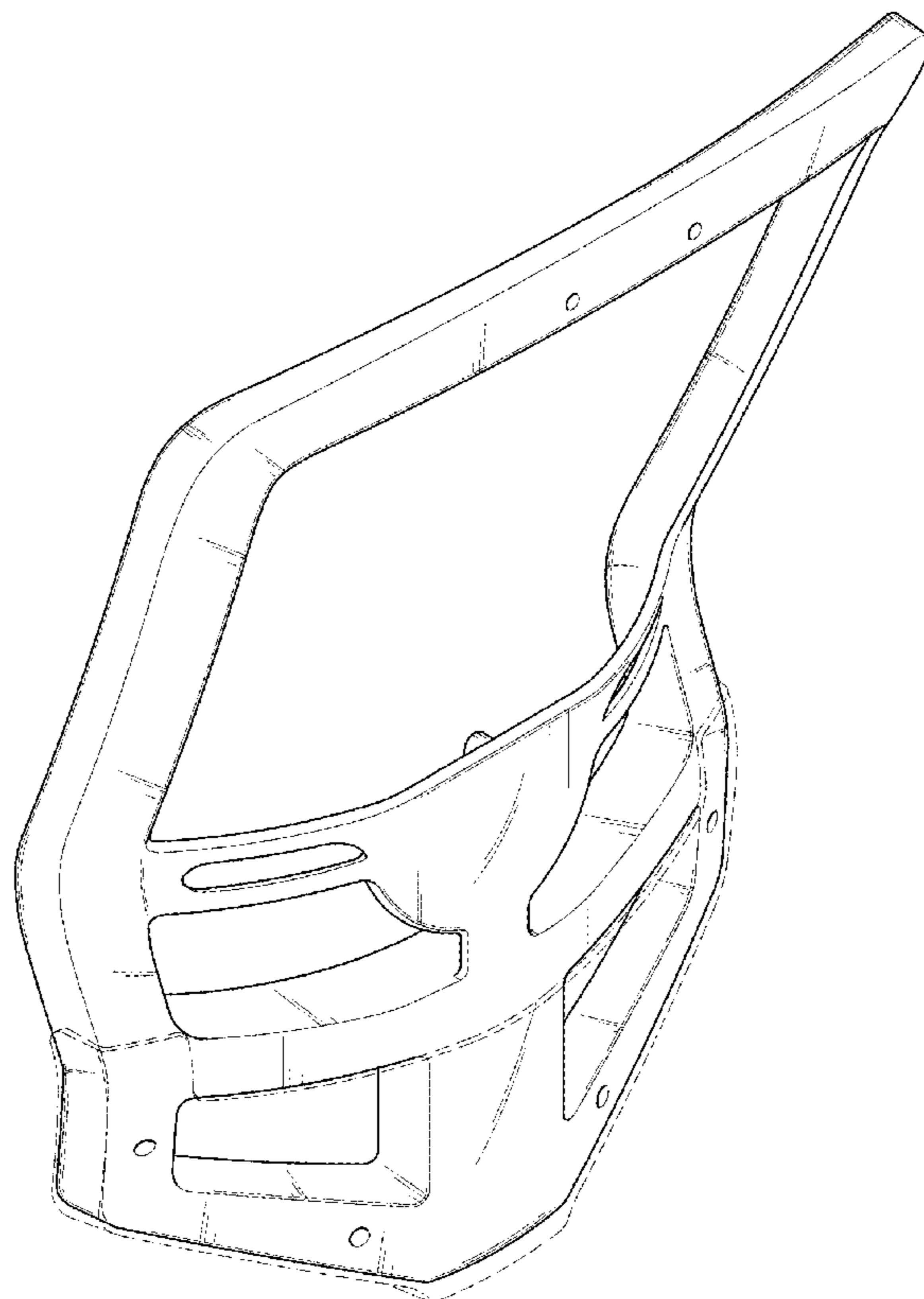
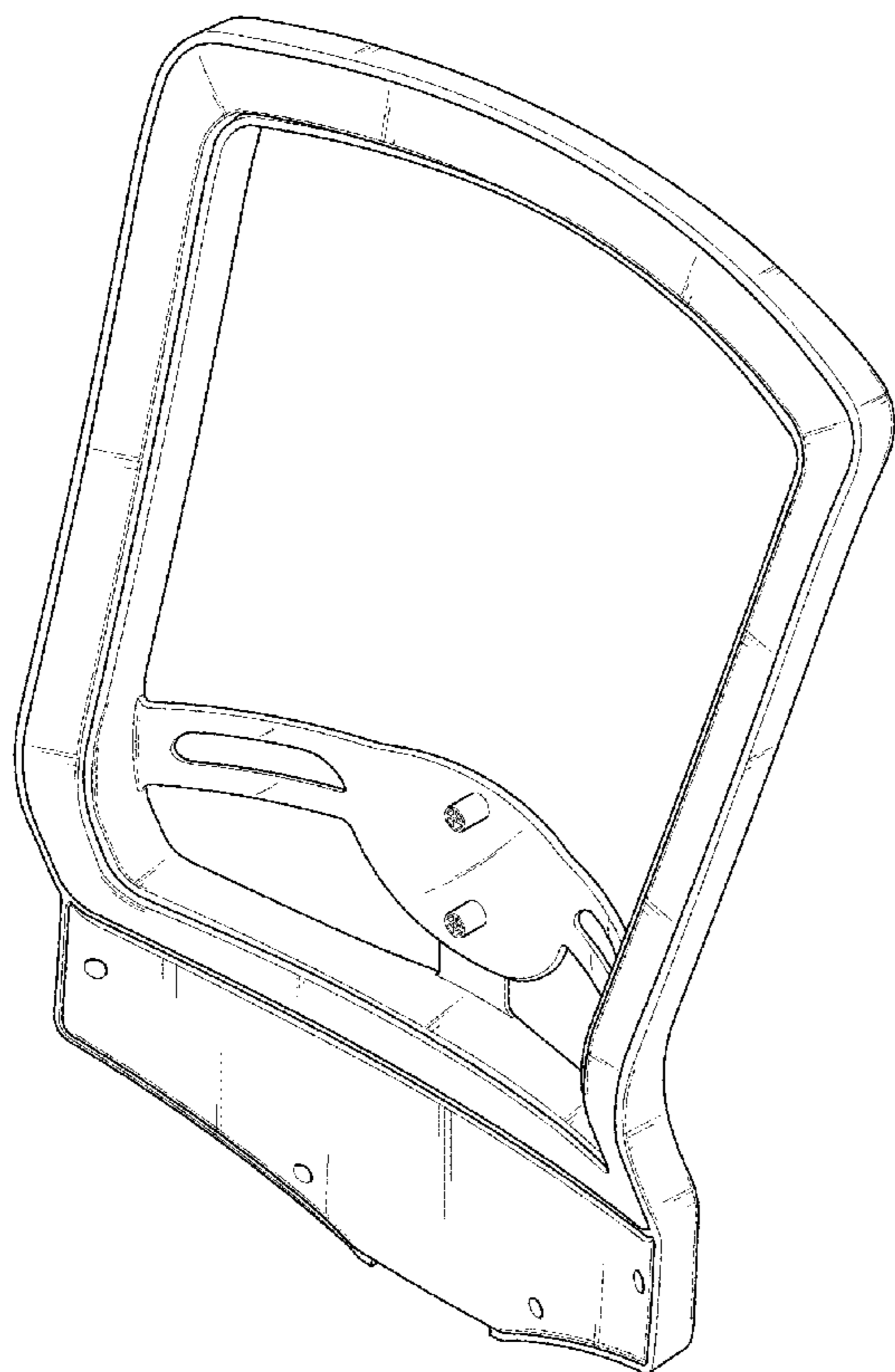
FIG. 7 is a top plan view thereof;

FIG. 8 is a bottom plan view thereof; and,

FIG. 9 is the perspective view of another preferred embodiment.

The portions shown in broken lines form no part of the claimed design.

1 Claim, 9 Drawing Sheets



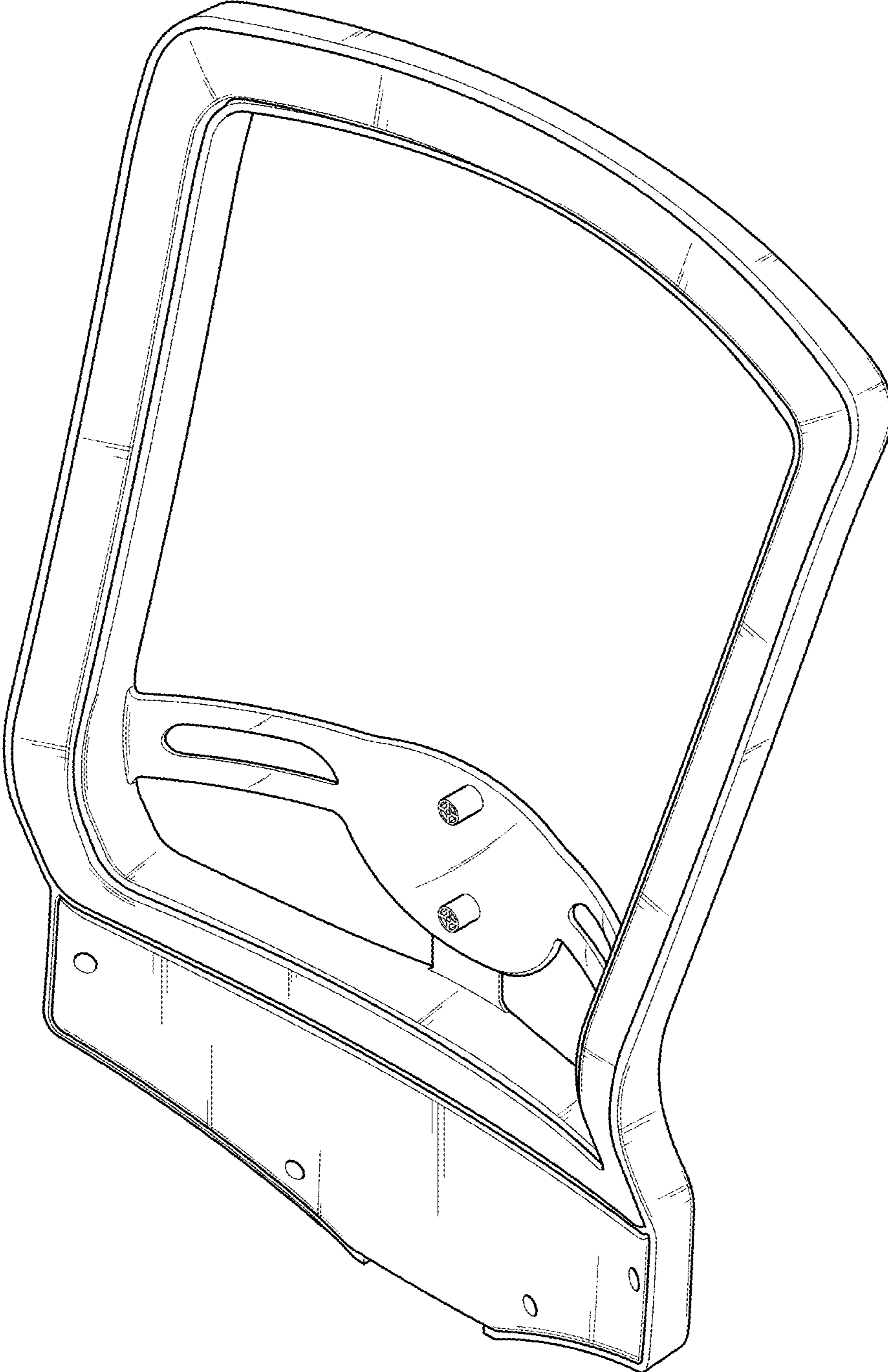


FIG.1

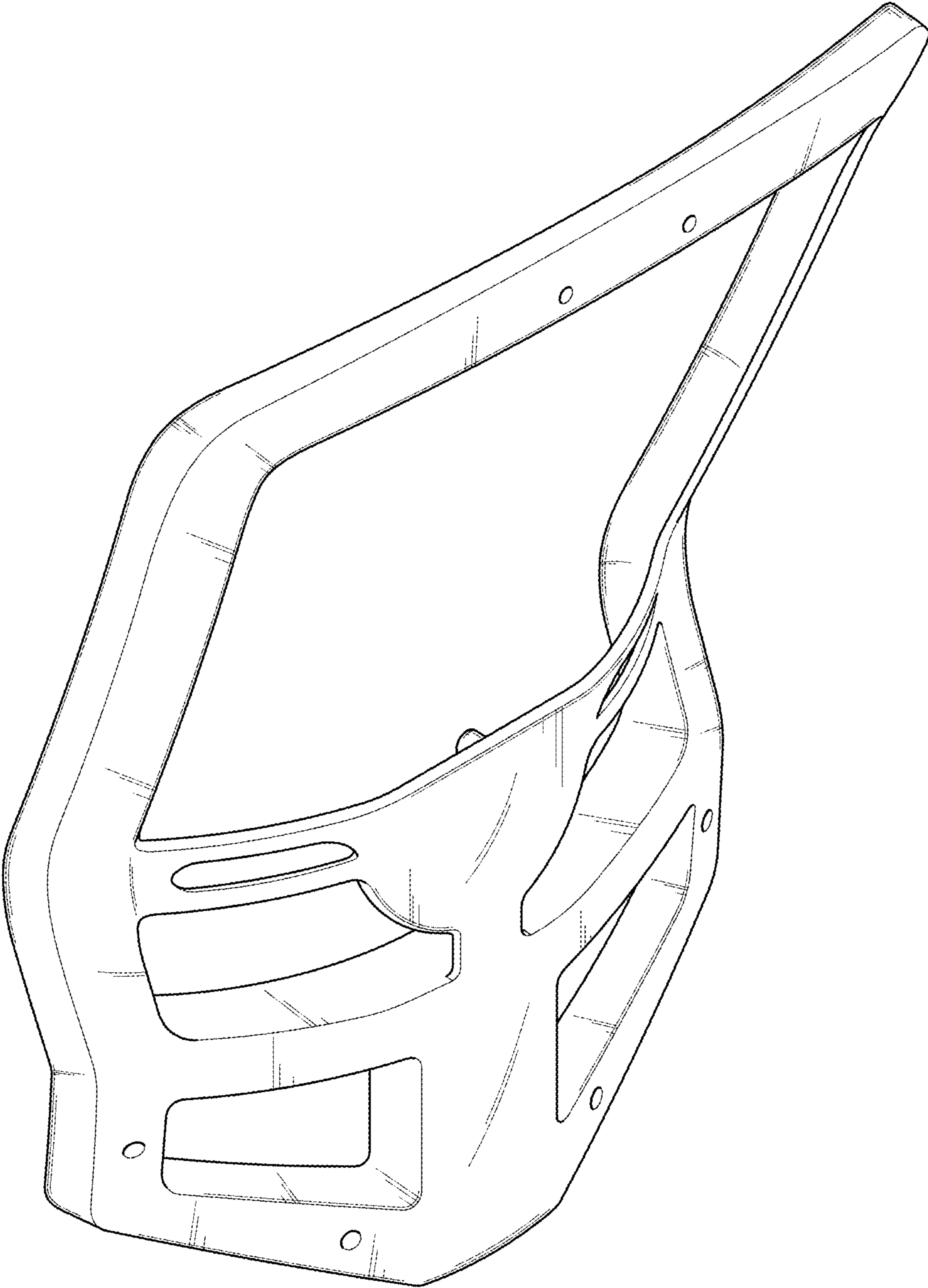


FIG.2

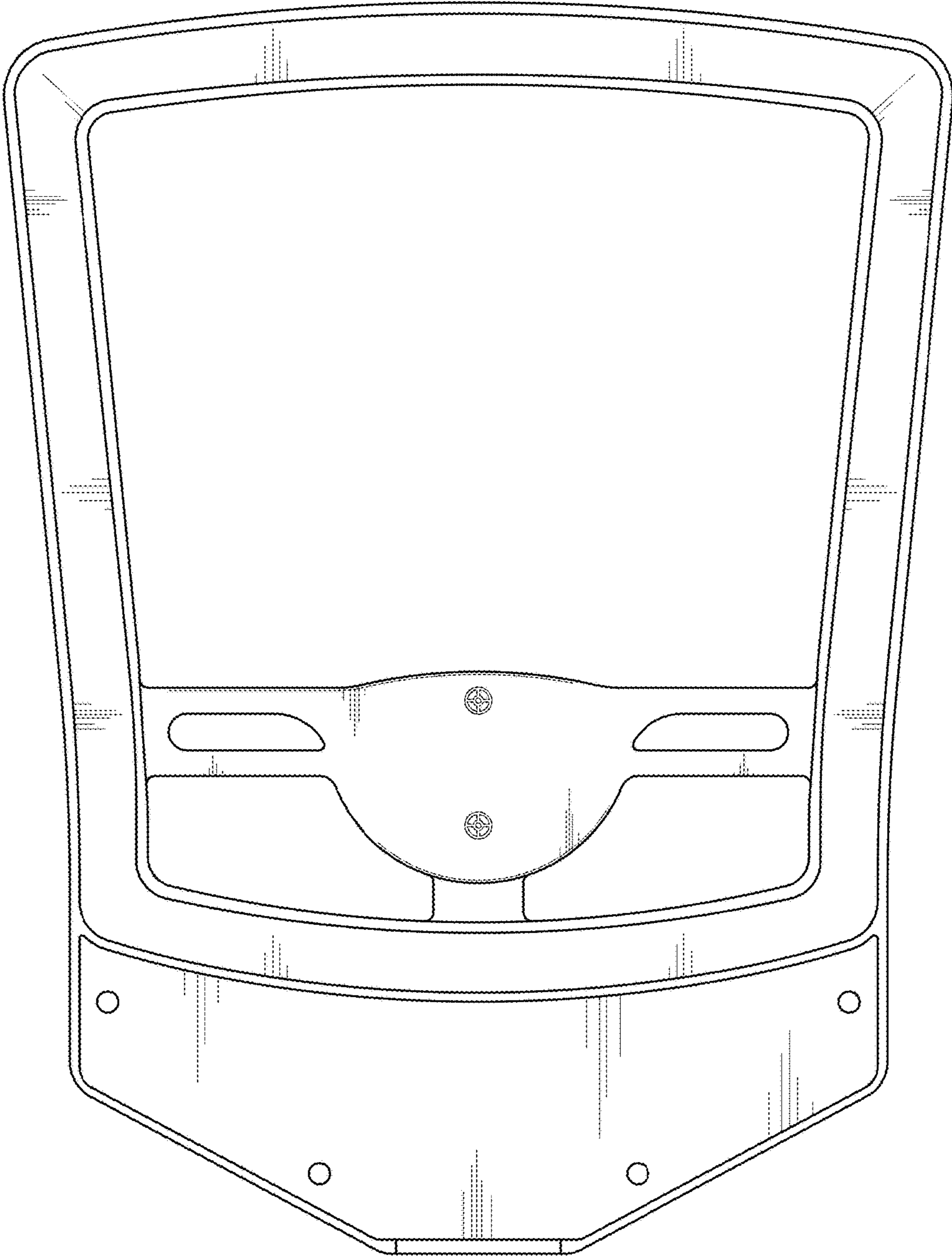


FIG.3

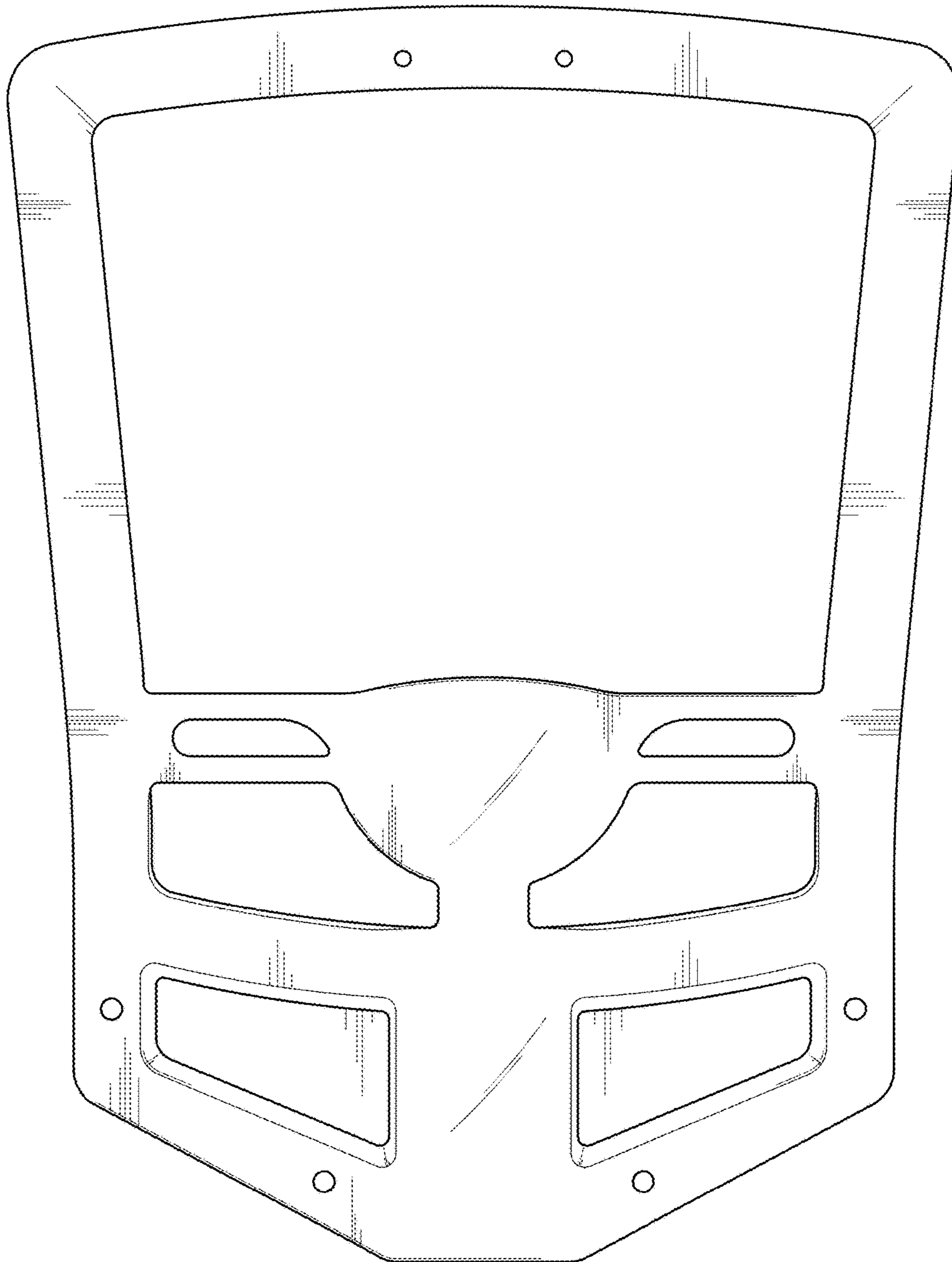


FIG. 4

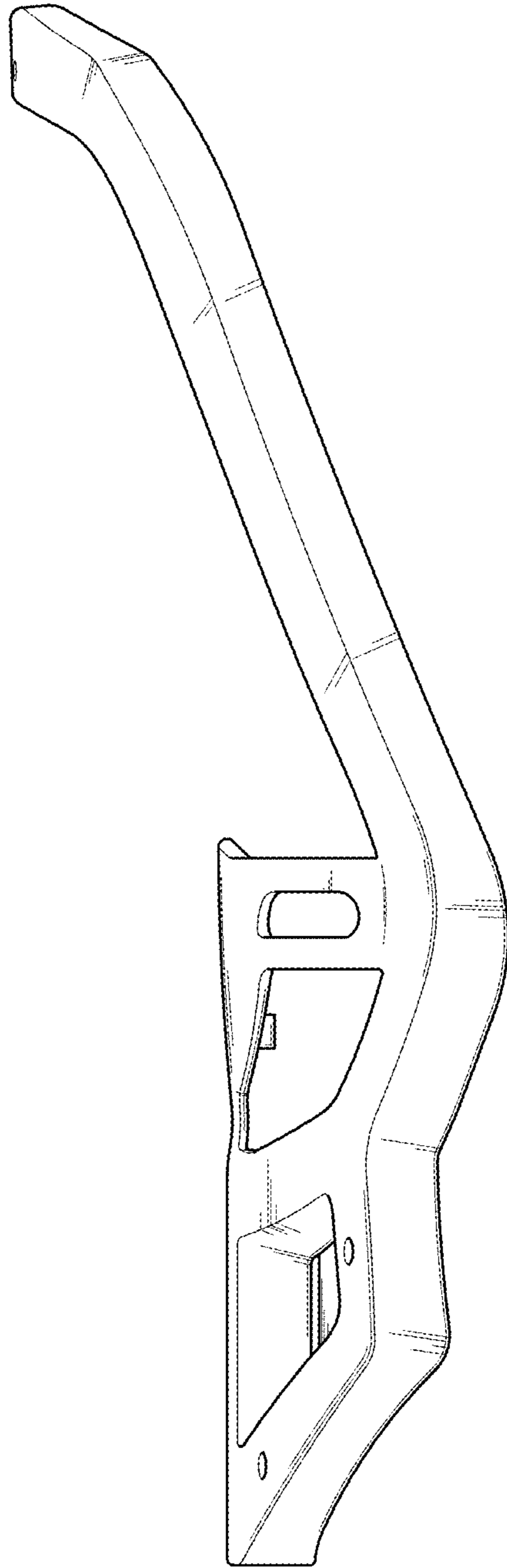


FIG.5

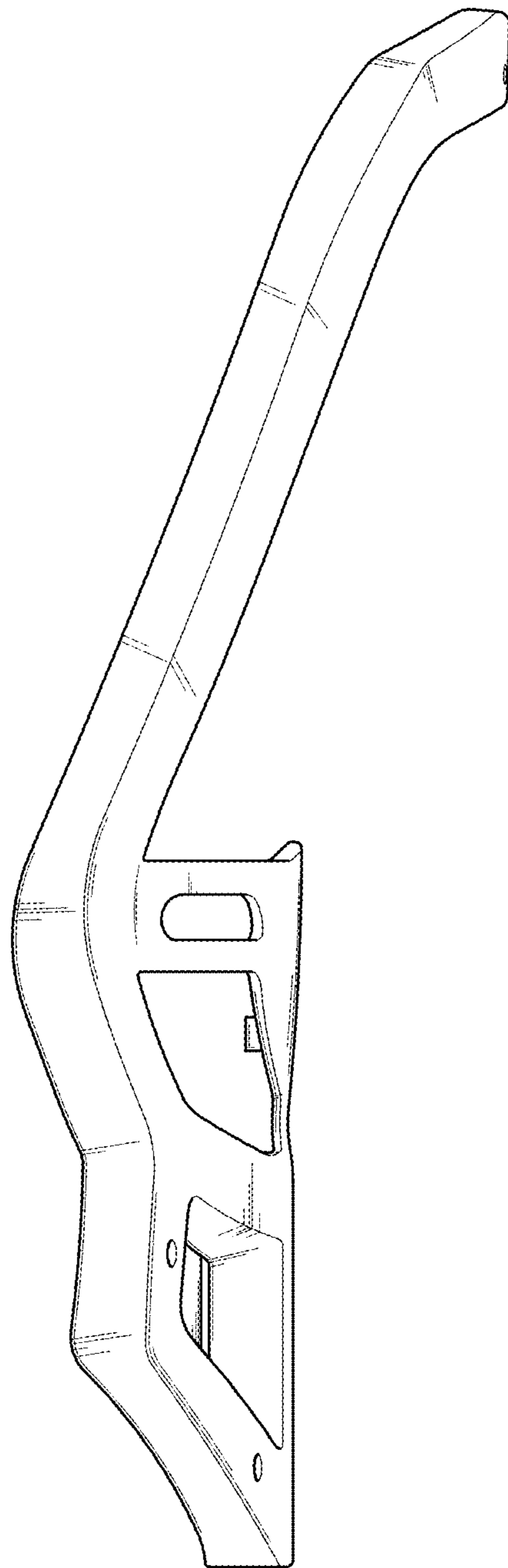


FIG.6

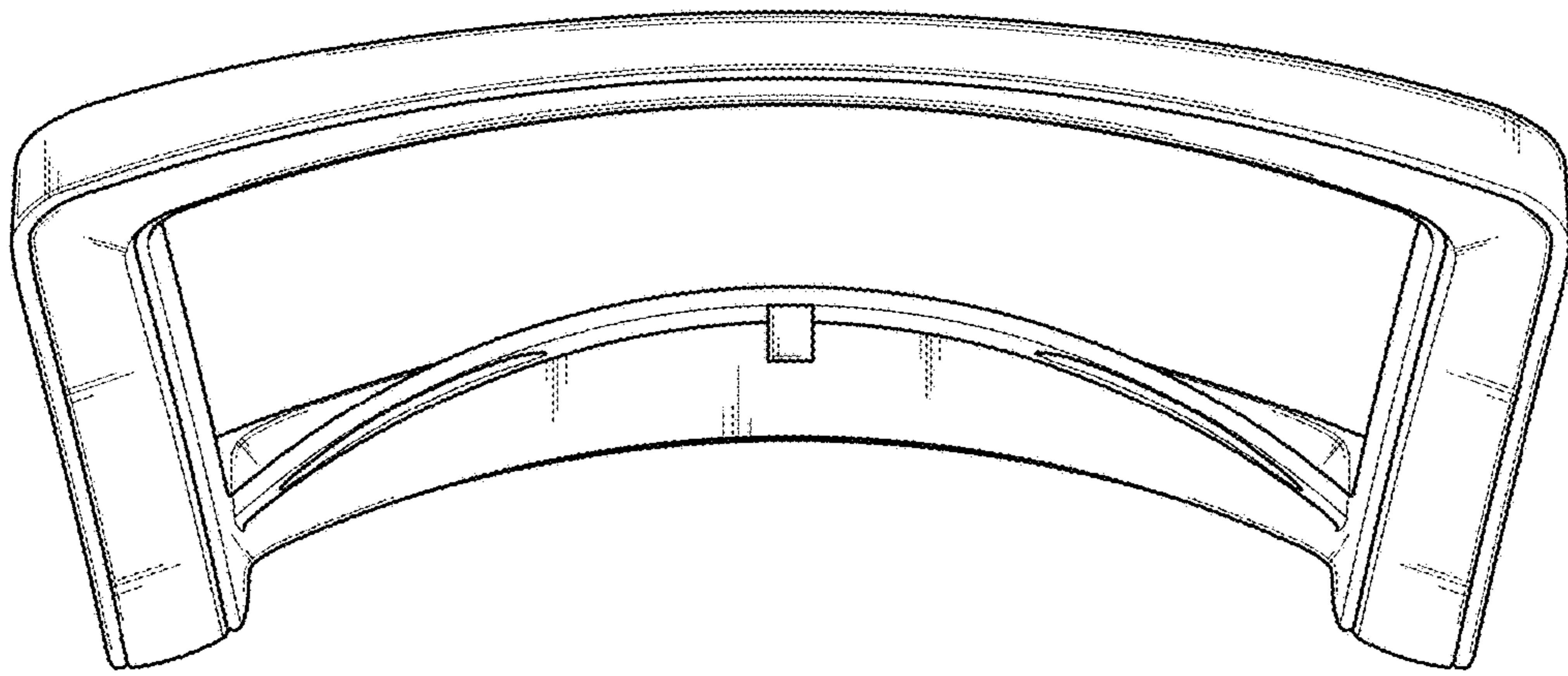


FIG.7

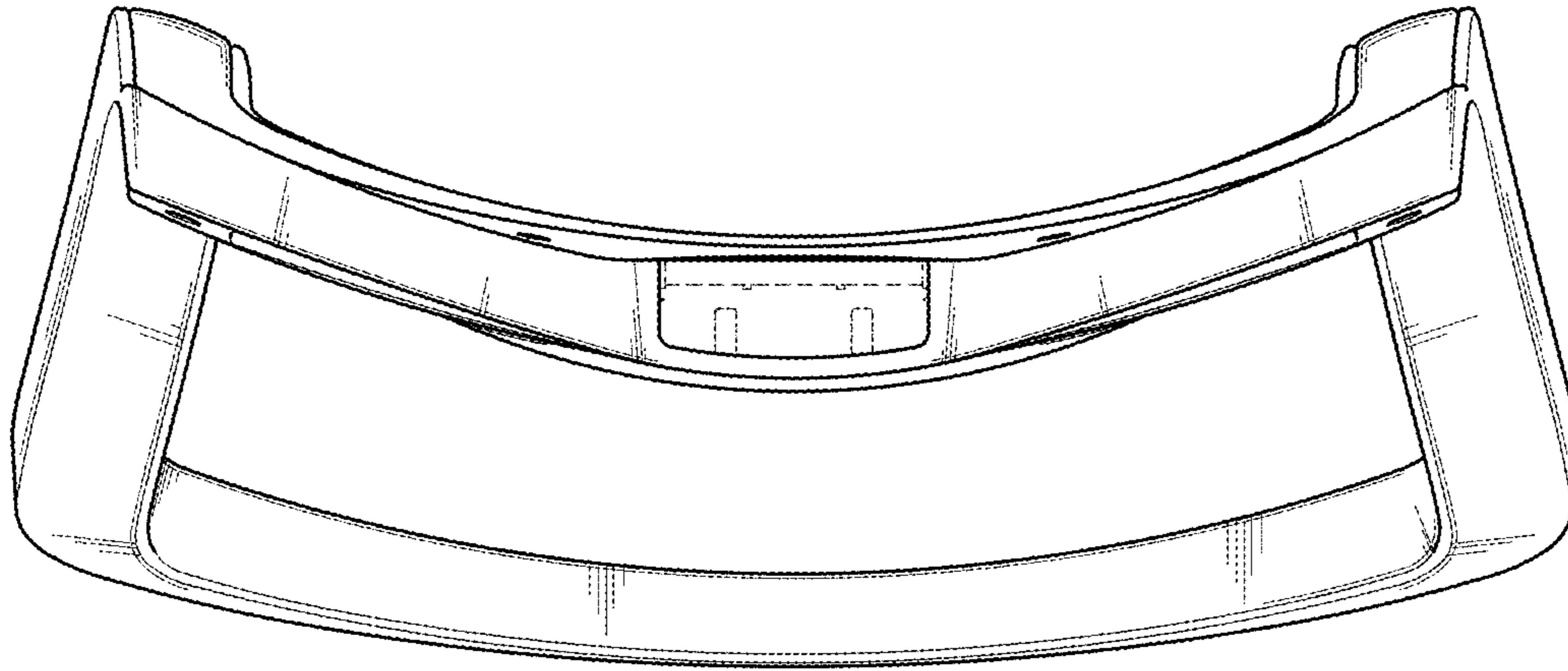


FIG.8

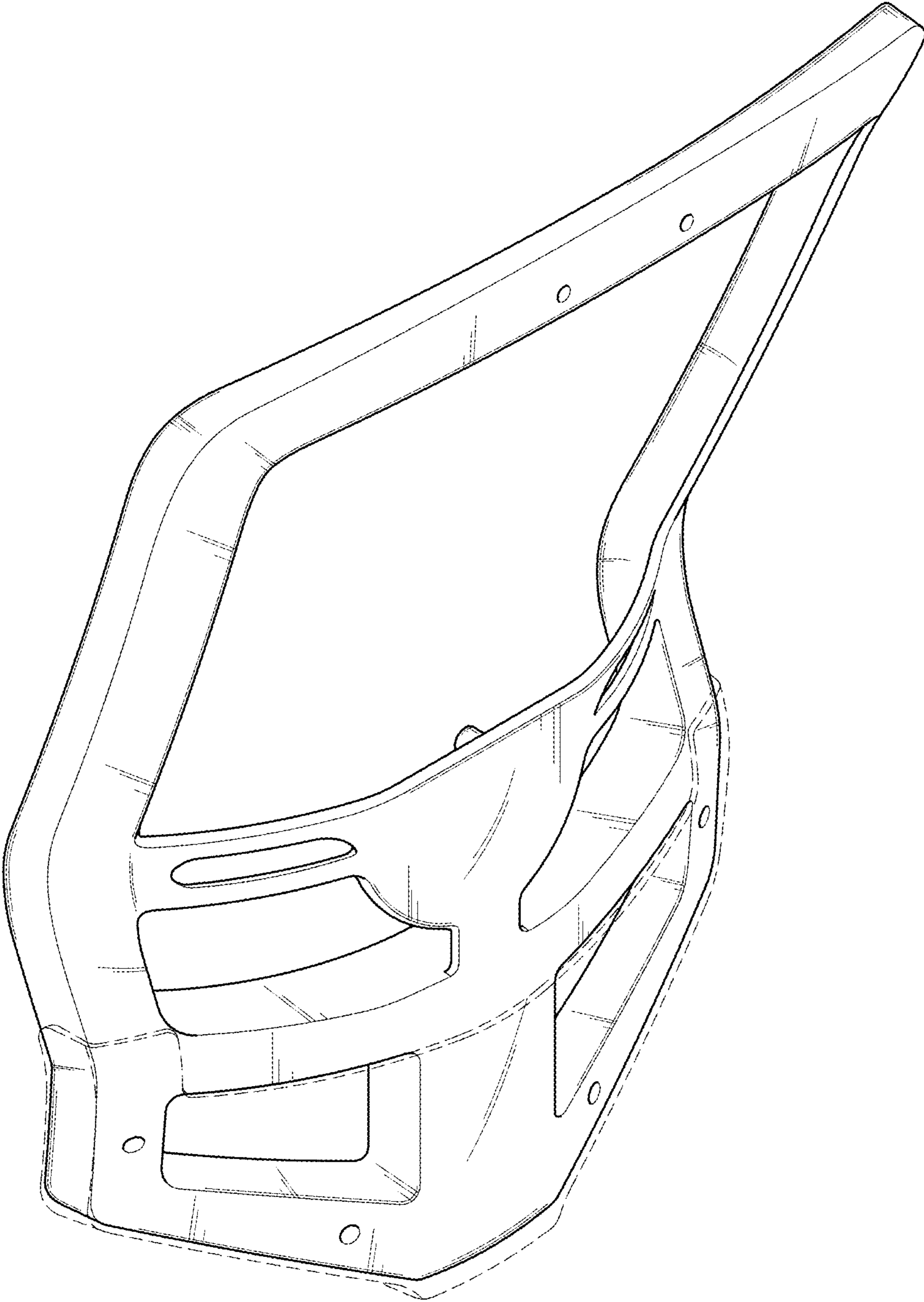


FIG.9