



US00D823624S

(12) **United States Design Patent**  
**Elmaleh**

(10) **Patent No.:** **US D823,624 S**  
(45) **Date of Patent:** **\*\* Jul. 24, 2018**

- (54) **STOOL**
- (71) Applicant: **KORE DESIGN LLC**, Brooklyn, NY (US)
- (72) Inventor: **Jon Elmaleh**, Brooklyn, NY (US)
- (73) Assignee: **Kore Design LLC**, Brooklyn, NY (US)
- (\*\*) Term: **15 Years**
- (21) Appl. No.: **29/629,444**
- (22) Filed: **Dec. 13, 2017**

**Related U.S. Application Data**

- (63) Continuation of application No. 29/580,004, filed on Oct. 5, 2016, now Pat. No. Des. 806,414.
- (51) **LOC (11) Cl.** ..... **06-06**
- (52) **U.S. Cl.**  
USPC ..... **D6/716**
- (58) **Field of Classification Search**  
USPC ..... D6/334, 336-342, 349-353, 355, 358,  
D6/360, 364-365, 406.2, 574, 596-597,  
D6/601, 604, 688.24-688.27, 691-691.9,  
D6/692-692.6, 716-716.1  
CPC ..... A47C 16/02-16/04; A47C 13/00; A47K  
17/02; A47K 17/028  
See application file for complete search history.

(56) **References Cited**

**U.S. PATENT DOCUMENTS**

- D93,968 S \* 12/1934 Brower ..... D6/692.3
- D246,022 S \* 10/1977 Mathur ..... D6/692.3
- D283,856 S \* 5/1986 Elmaleh ..... D6/349
- D313,896 S \* 1/1991 Kaye ..... D6/360
- D523,251 S \* 6/2006 Parpala ..... D6/352
- D686,829 S \* 7/2013 Elmaleh ..... D6/352

- D721,526 S \* 1/2015 Bosman ..... D6/692.3
- D740,041 S \* 10/2015 Chadwick ..... A47C 3/029  
D6/352
- D745,287 S \* 12/2015 Chadwick ..... D6/352
- D746,073 S \* 12/2015 Elmaleh ..... D6/349
- D748,924 S \* 2/2016 Walser ..... D6/352
- D756,139 S \* 5/2016 Chadwick ..... D6/352
- D764,196 S \* 8/2016 Handler ..... D6/352
- D764,200 S \* 8/2016 Elmaleh ..... D6/349
- D789,723 S \* 6/2017 Walser ..... D6/716.1
- D801,064 S \* 10/2017 Von Boetticher ..... D6/352
- D801,714 S \* 11/2017 Elmaleh ..... D6/352
- D803,592 S \* 11/2017 Lenz ..... D6/349
- D806,414 S \* 1/2018 Elmaleh ..... D6/352
- D808,183 S \* 1/2018 Ono ..... D6/353
- D808,674 S \* 1/2018 Handler ..... D6/352
- 2009/0001788 A1 \* 1/2009 Lenz ..... A47C 9/002  
297/217.4

\* cited by examiner

*Primary Examiner* — Vy N Koenig

(74) *Attorney, Agent, or Firm* — Notaro, Michalos & Zaccaria P.C.

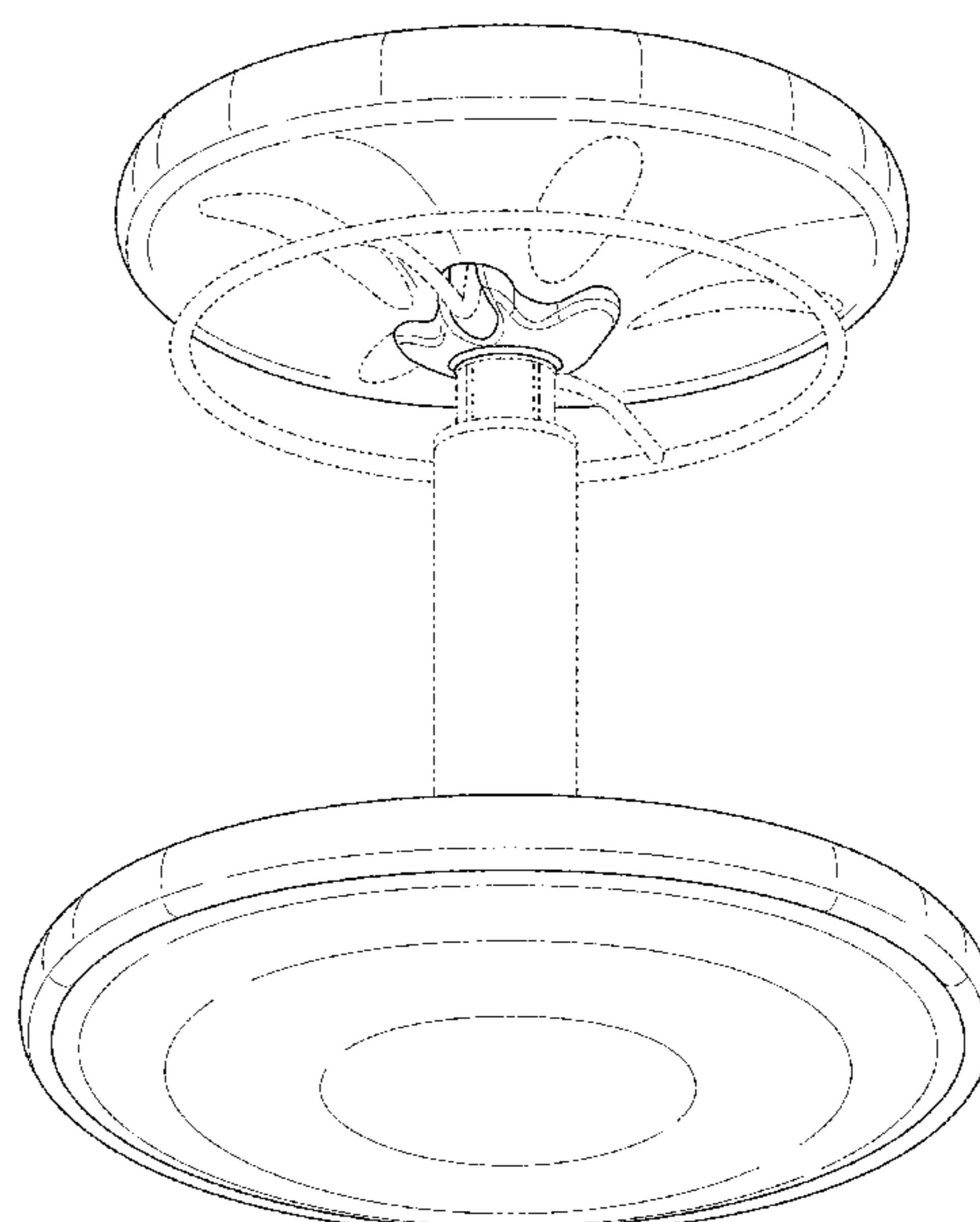
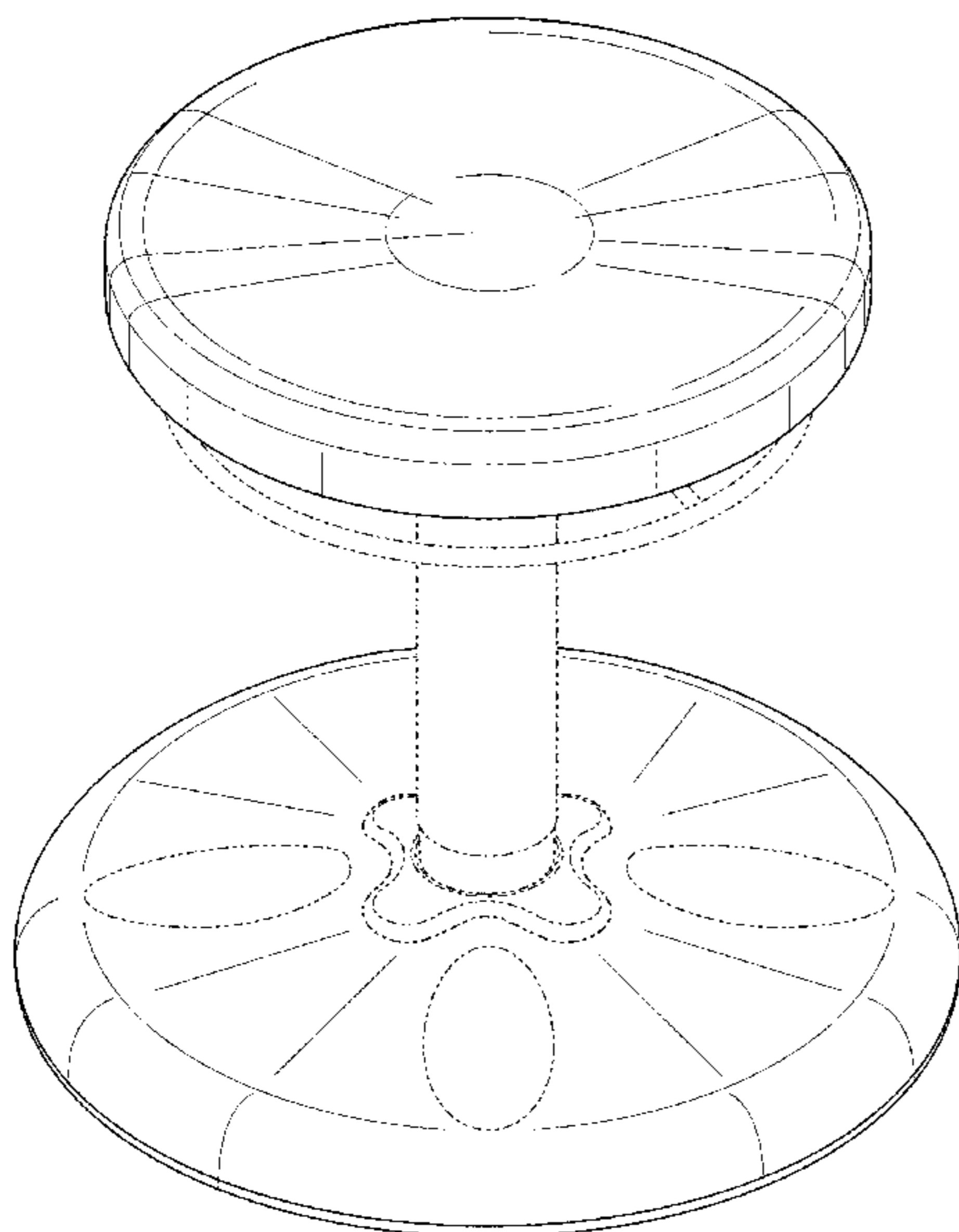
(57) **CLAIM**

The ornamental design for a stool, as shown and described.

**DESCRIPTION**

FIG. 1 is a top perspective view of a stool showing my new design therefor;  
 FIG. 2 is a bottom perspective view thereof;  
 FIG. 3 is a front elevational view, the rear view being a mirror image thereof;  
 FIG. 4 is a right side elevational view, the left side being a mirror image thereof;  
 FIG. 5 is a top plan view thereof; and,  
 FIG. 6 is a bottom plan view thereof.  
 Throughout the drawings, broken lines show environment and form no part of the claimed design.

**1 Claim, 6 Drawing Sheets**



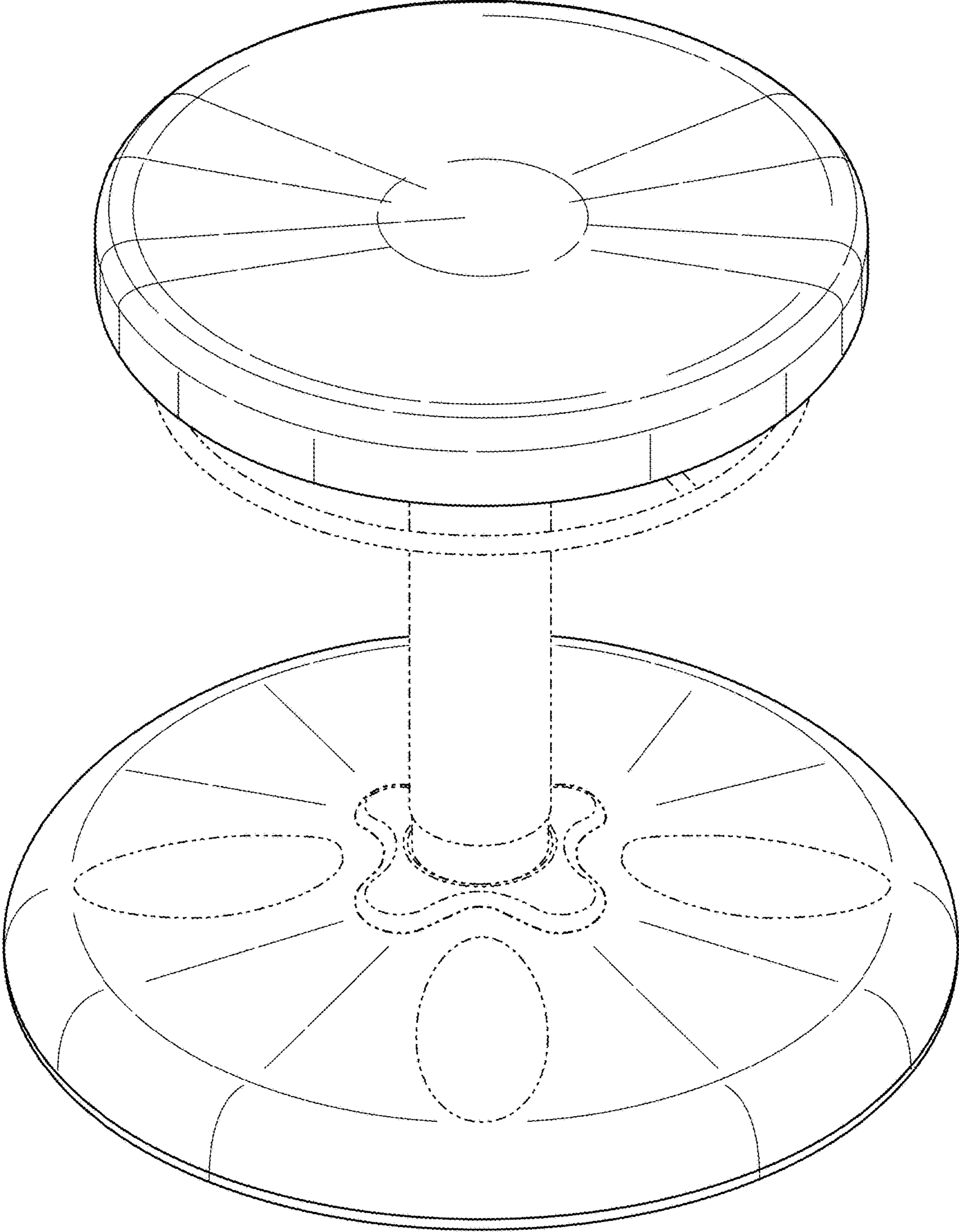


FIG. 1

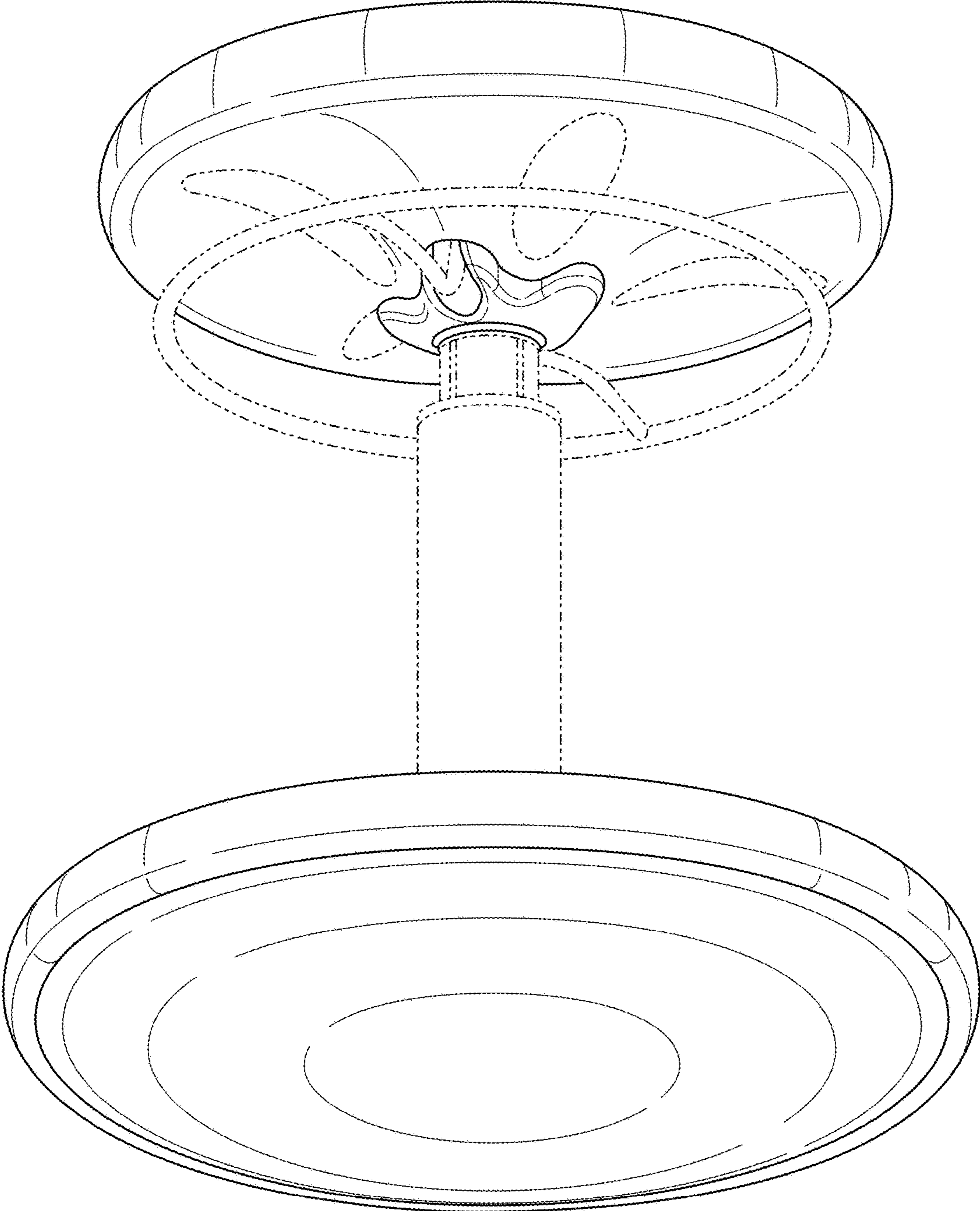


FIG. 2

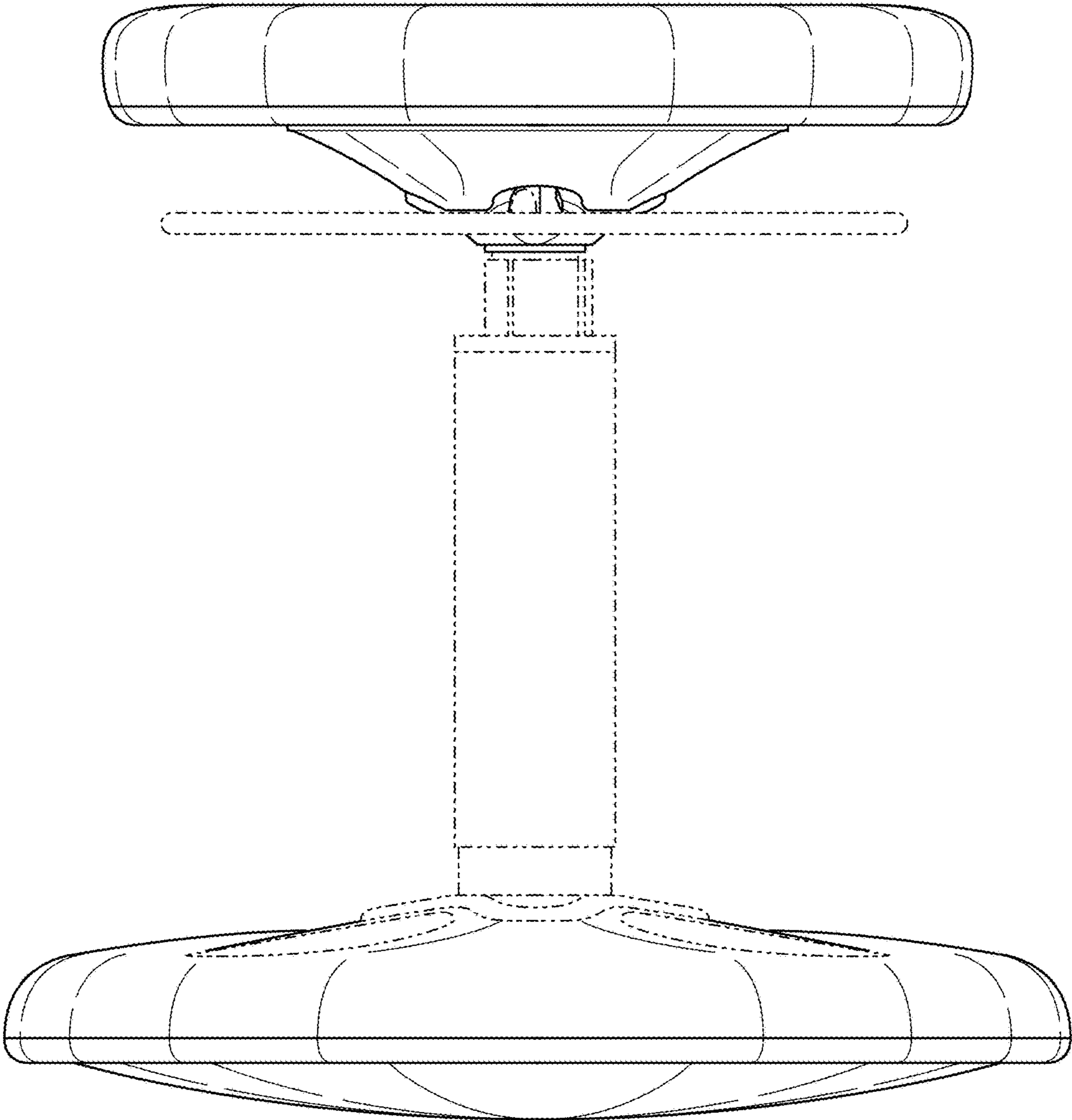


FIG. 3



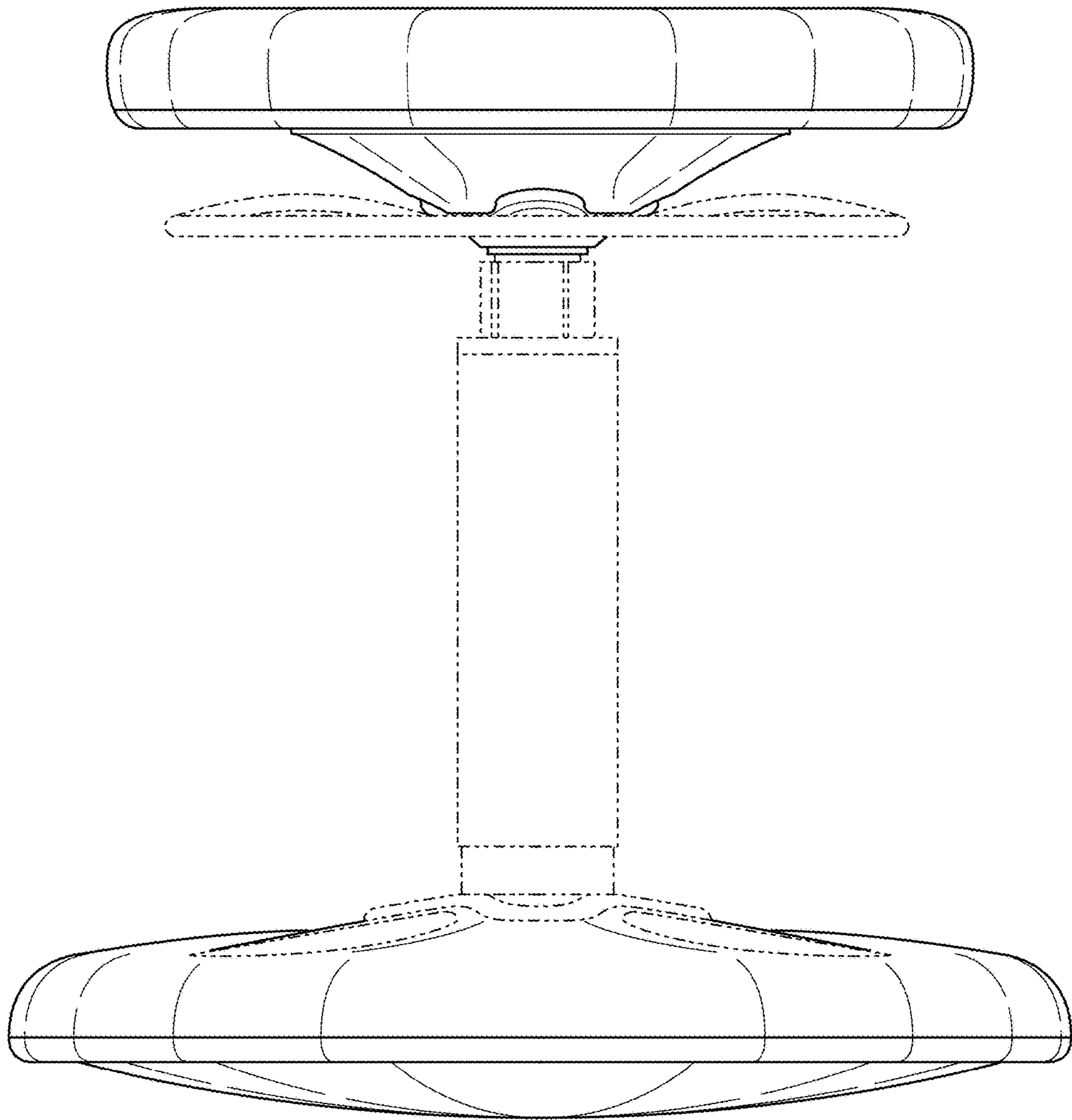


FIG. 4

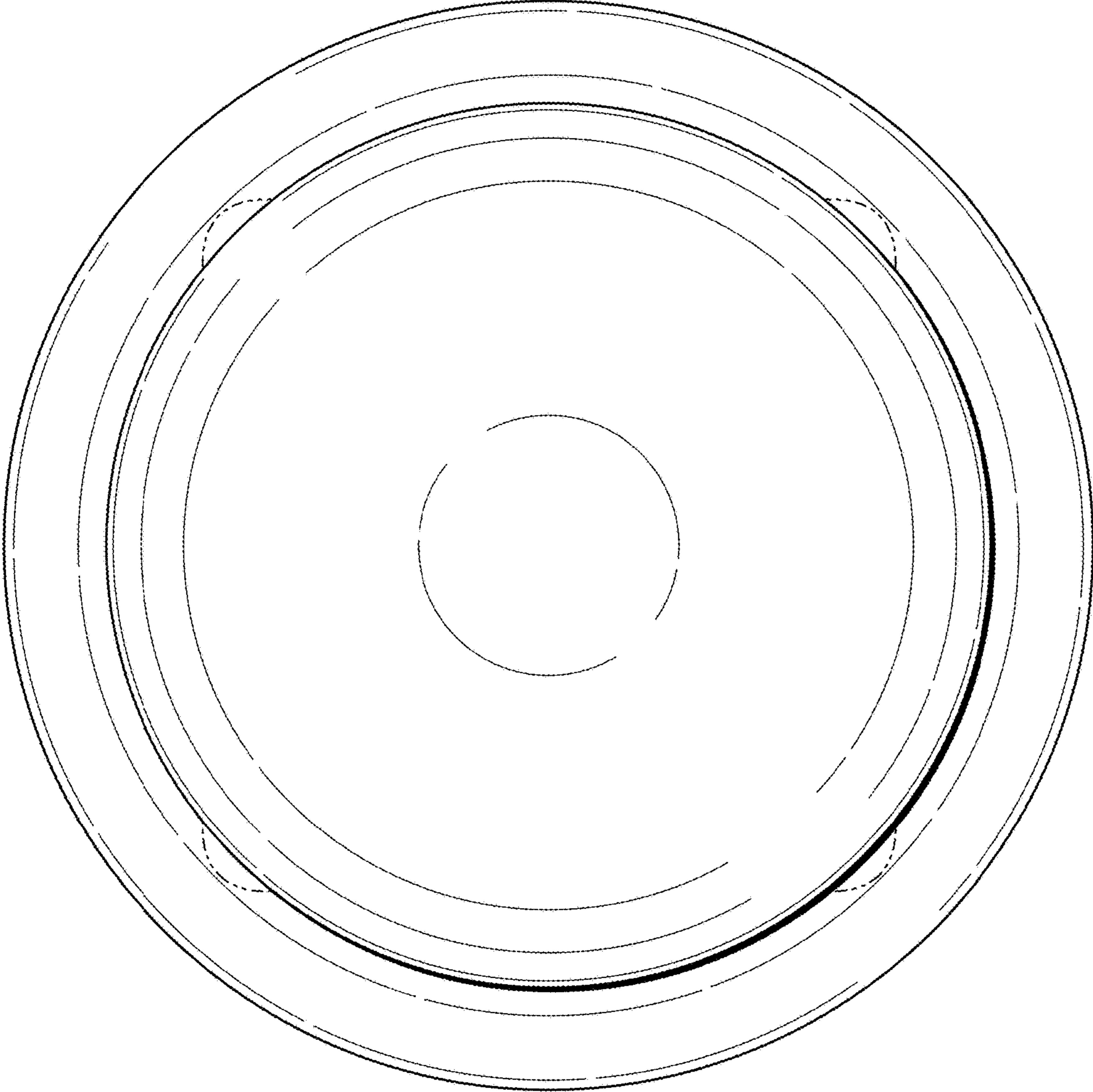


FIG. 5

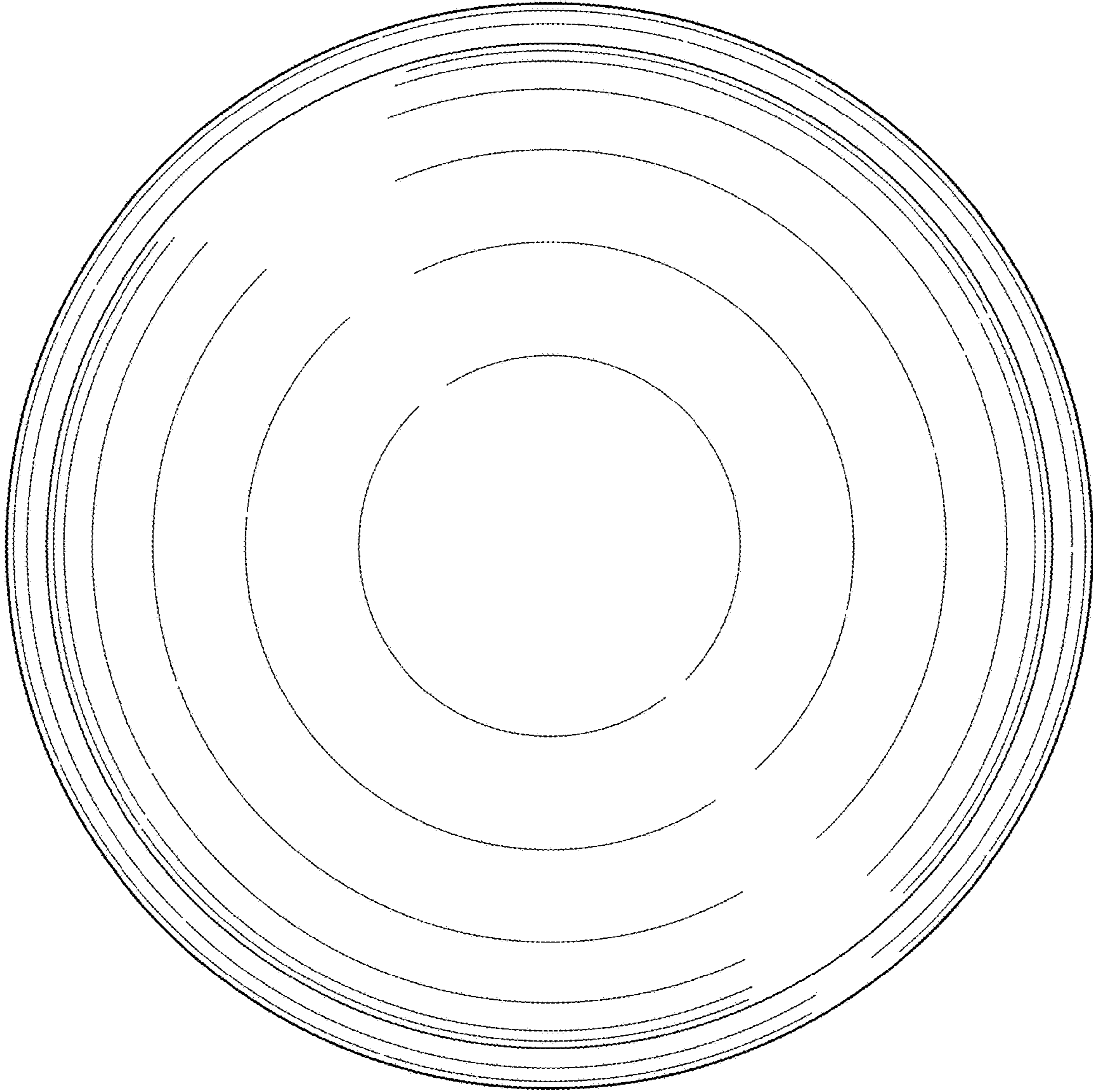


FIG. 6