

US00D823622S

(12) **United States Design Patent**
Nilsson

(10) **Patent No.:** **US D823,622 S**

(45) **Date of Patent:** **** Jul. 24, 2018**

(54) **DRAWER FRAME**

(71) Applicant: **Elfa International AB**, Vastervik (SE)

(72) Inventor: **Peter Nilsson**, Vastervik (SE)

(73) Assignee: **Elfa International AB**, Vastervik (SE)

(**) Term: **15 Years**

(21) Appl. No.: **29/604,161**

(22) Filed: **May 15, 2017**

(51) **LOC (11) Cl.** **06-06**

(52) **U.S. Cl.**
USPC **D6/704**

(58) **Field of Classification Search**
USPC D6/675, 675.1, 704, 705, 705.4;
D3/304-315

CPC A47B 88/00; A47B 88/40; A47B 88/90;
A47B 88/931

See application file for complete search history.

(56) **References Cited**

U.S. PATENT DOCUMENTS

2,562,290	A	7/1951	Dickerson	
2,661,993	A	12/1953	Little	
3,278,248	A	10/1966	Tibor	
4,312,086	A	1/1982	Bianco	
4,735,470	A	4/1988	Falk	
4,944,566	A	7/1990	Carper	
5,074,009	A	12/1991	Simonton et al.	
5,551,772	A	9/1996	Keffer	
6,428,128	B1	8/2002	Henriott et al.	
6,497,185	B1	12/2002	Barrett et al.	
D680,361	S *	4/2013	Zobel	D6/705

D732,864	S *	6/2015	Clouse	D6/705.7
D733,431	S *	7/2015	Kokenge	D3/304
9,131,771	B2	9/2015	Lindblom	
D761,236	S *	7/2016	Wengreen	D14/238.1
D766,634	S	9/2016	Nilsson et al.	
D770,206	S *	11/2016	Nilsson	D6/705
D784,745	S *	4/2017	Nilsson	D6/705
D785,605	S *	5/2017	Hochman	D14/239
D789,718	S *	6/2017	Gokhale	D6/705
D801,094	S *	10/2017	Verna	D6/705
D808,697	S *	1/2018	Heckler	D6/705
D809,672	S *	2/2018	Brennan	D25/61
2002/0043914	A1	4/2002	Munday et al.	
2015/0296982	A1	10/2015	Chen et al.	

* cited by examiner

Primary Examiner — Kelley Donnelly

(74) *Attorney, Agent, or Firm* — Hubbard Johnston, PLLC

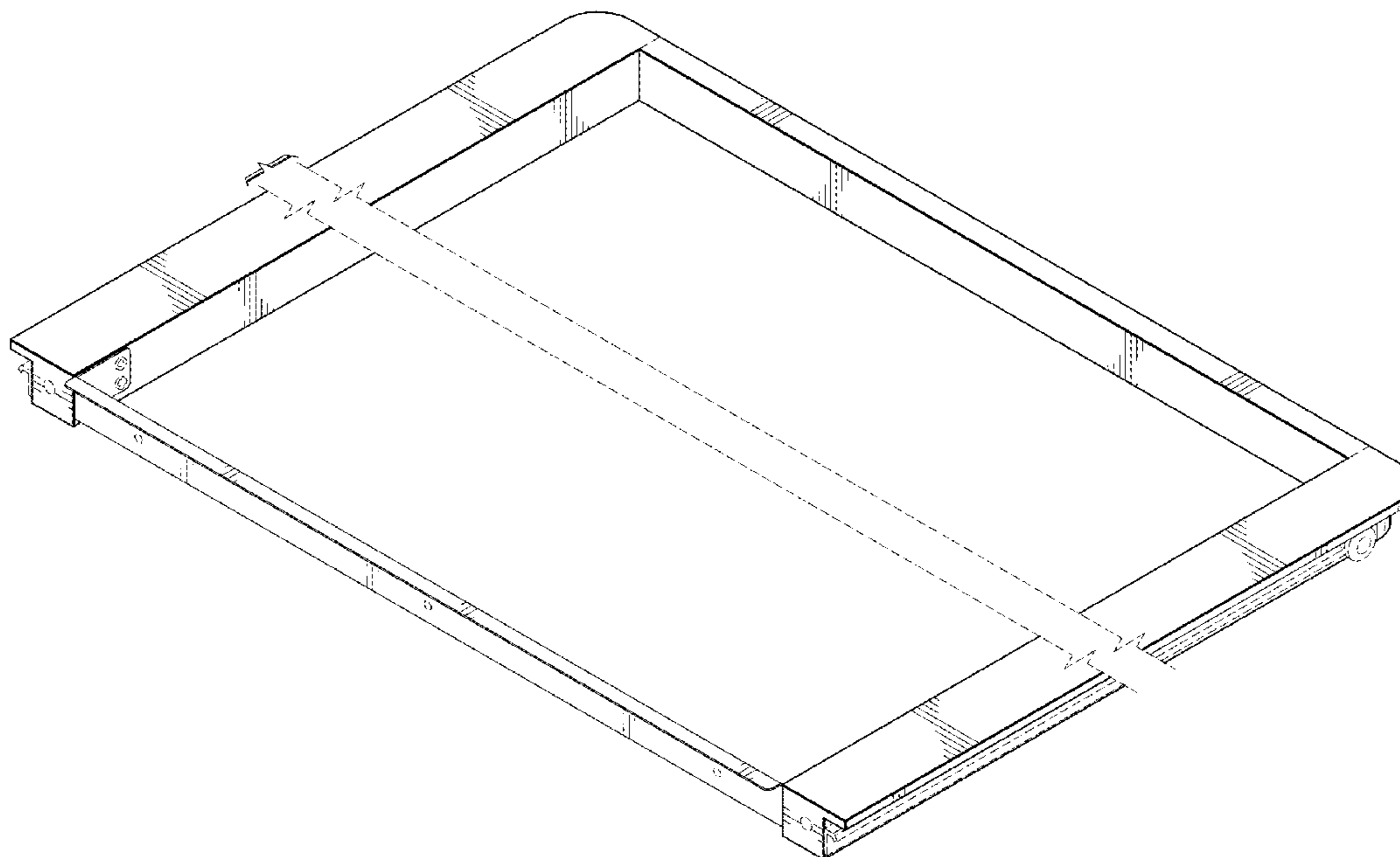
(57) **CLAIM**

The ornamental design for a drawer frame, as shown and described.

DESCRIPTION

FIG. 1 is a front perspective view of a drawer frame;
FIG. 2 is a front elevation view thereof;
FIG. 3 is a rear elevation view thereof;
FIG. 4 is a right side view thereof;
FIG. 5 is a left side view thereof;
FIG. 6 is a top plan view thereof; and,
FIG. 7 is a bottom plan view thereof.
The break lines shown in FIGS. 1, 4, 5, 6, and 7 are not part of the claimed design and represent that no particular length is claimed.

1 Claim, 5 Drawing Sheets



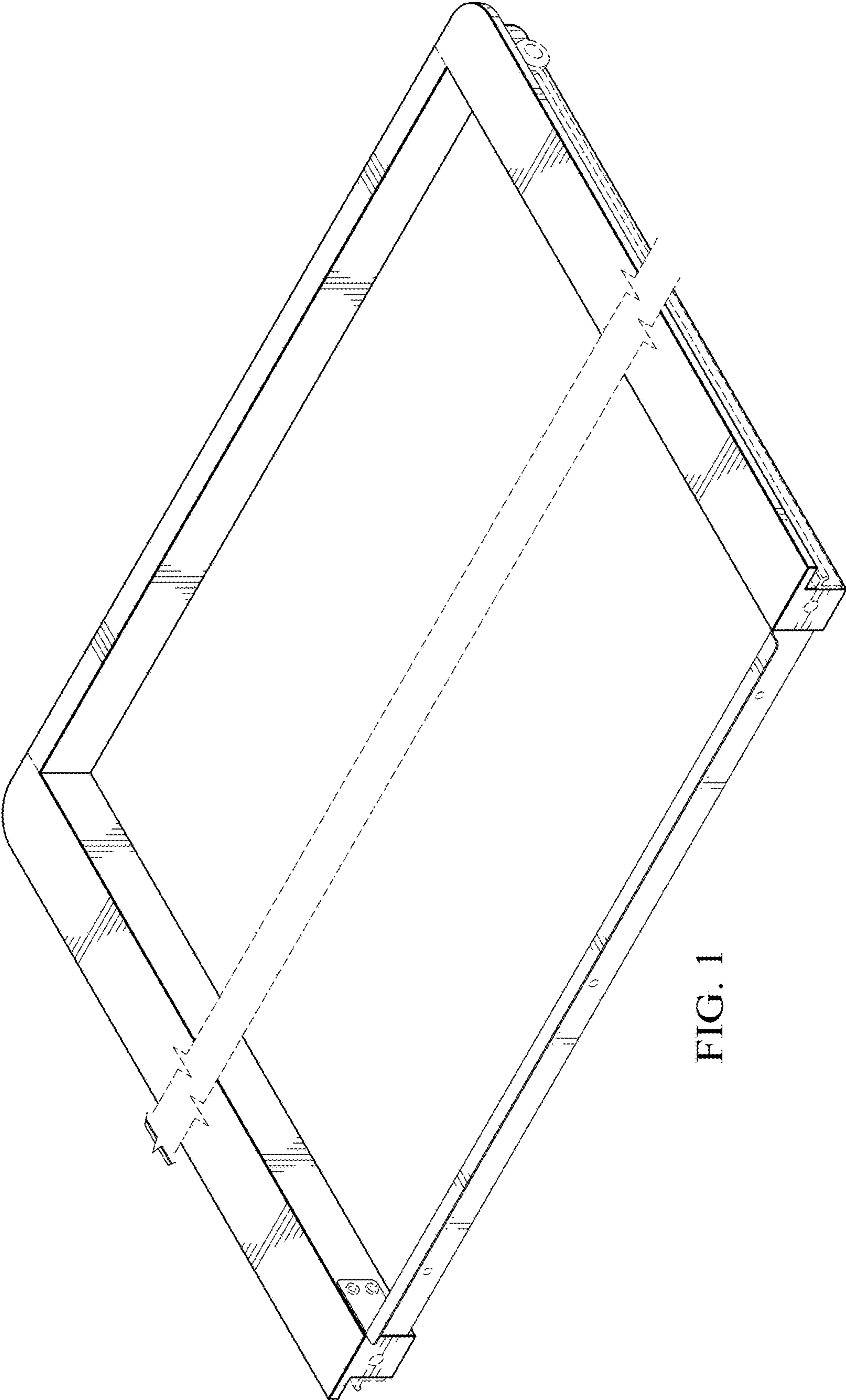


FIG. 1

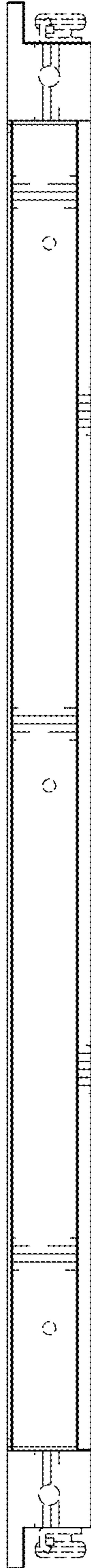


FIG. 2



FIG. 3

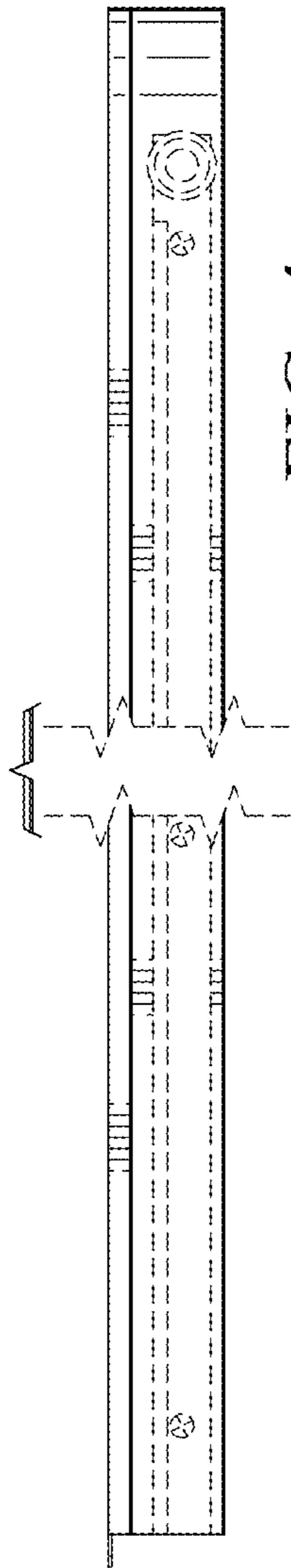


FIG. 4

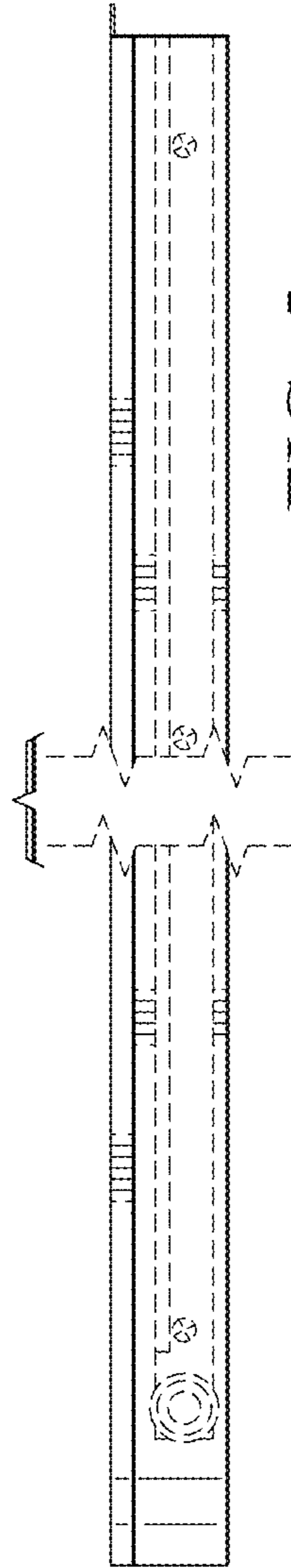


FIG. 5

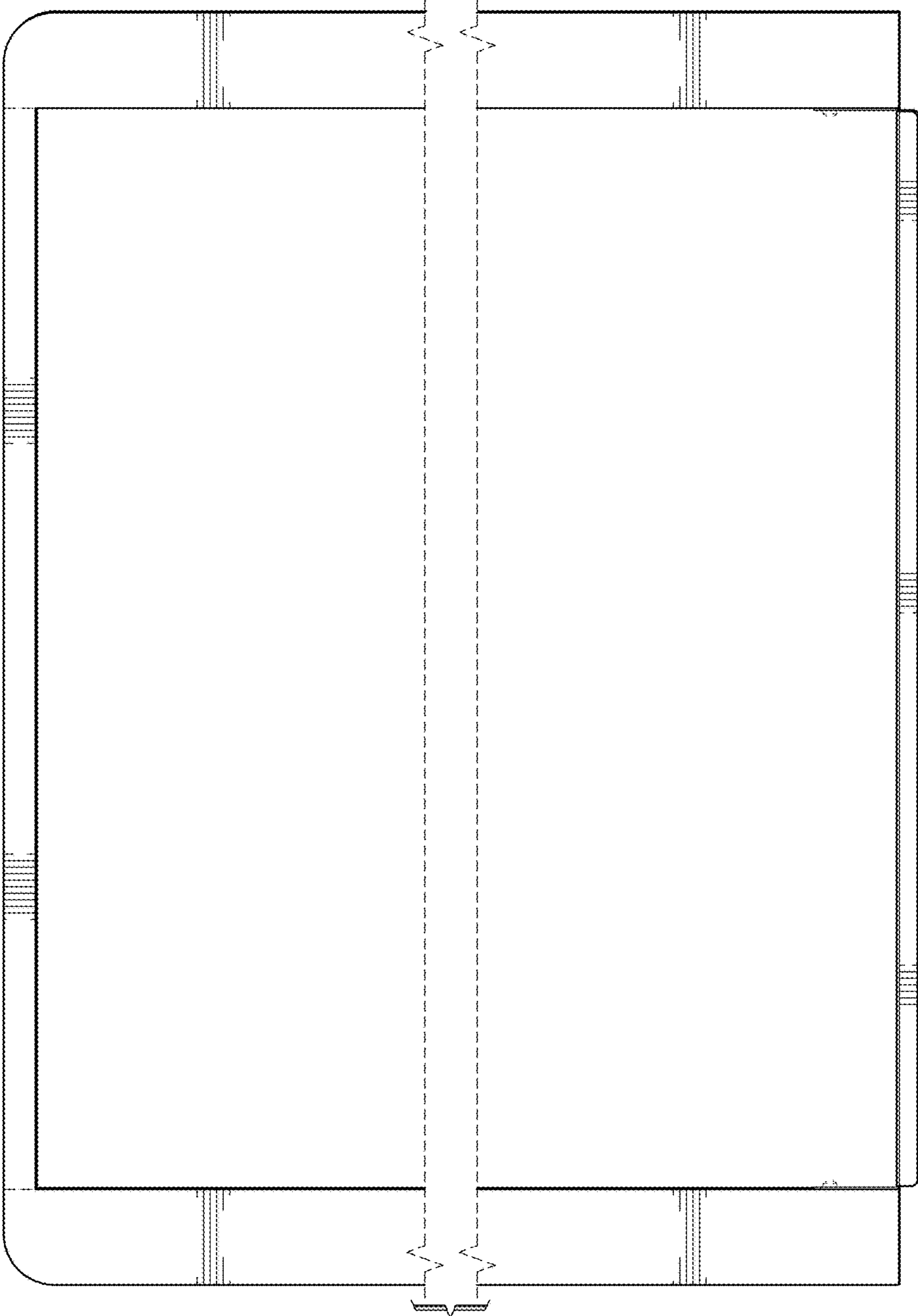


FIG. 6

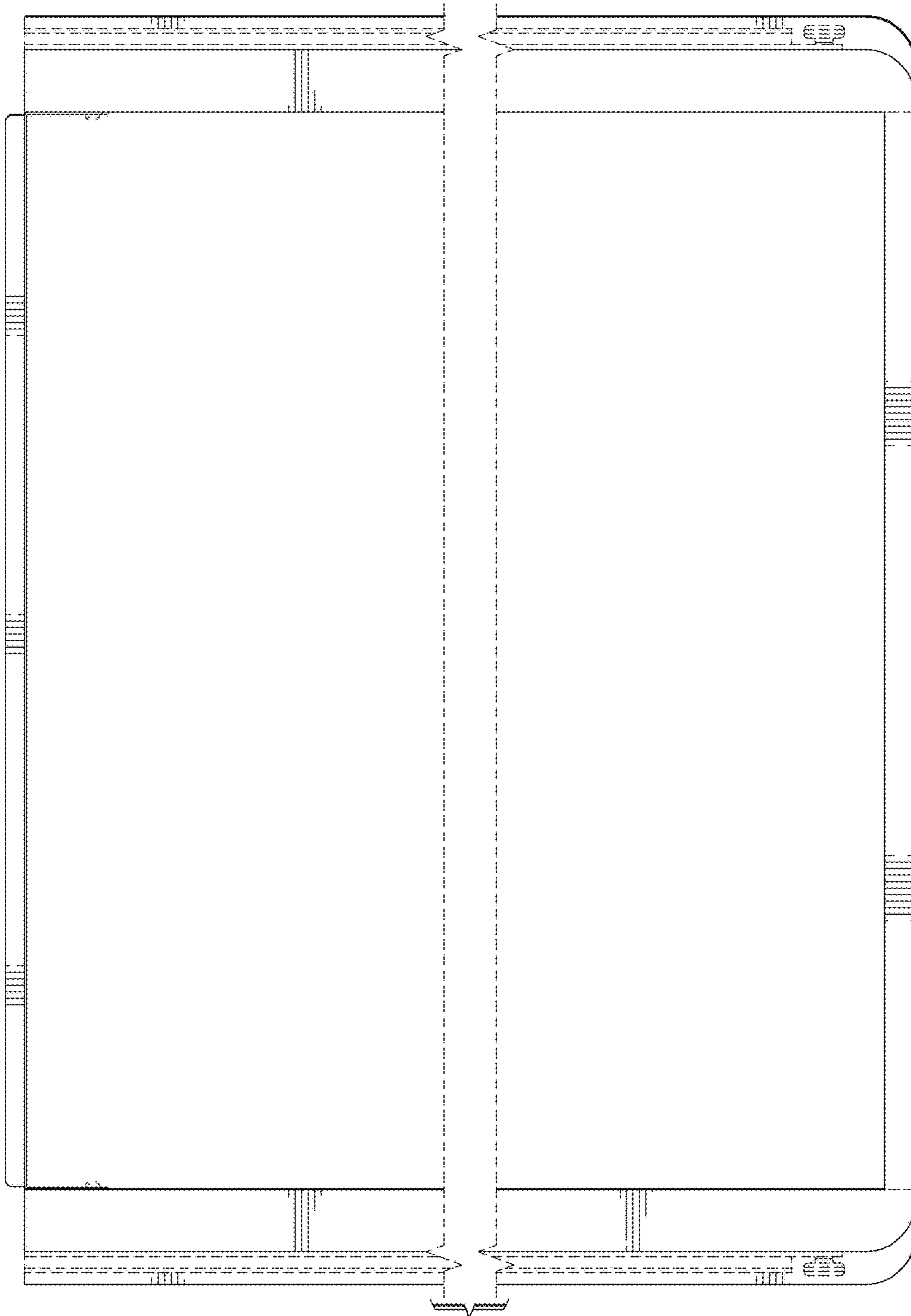


FIG. 7