



US00D823620S

(12) **United States Design Patent**
Tsukii

(10) **Patent No.:** **US D823,620 S**
(45) **Date of Patent:** **** Jul. 24, 2018**

(54) **FLIP TOP TABLE**

(71) Applicant: **Toshikazu Tsukii**, Oro Valley, AZ (US)

(72) Inventor: **Toshikazu Tsukii**, Oro Valley, AZ (US)

(**) Term: **15 Years**

(21) Appl. No.: **29/602,302**

(22) Filed: **Apr. 30, 2017**

(51) **LOC (11) Cl.** **06-03**

(52) **U.S. Cl.**
USPC **D6/686**; D6/691.5; D6/691.6

(58) **Field of Classification Search**
USPC D6/353, 368, 686, 687, 688.11, 688.19,
D6/691, 691.1–691.9, 692, 692.2, 692.5,
D6/692.6, 707, 707.12, 707.18, 707.19,
D6/707.2, 708, 708.16, 709, 709.18,
D6/709.19
CPC .. A47B 37/00; A47B 3/00; A47B 1/00; A47B
3/06; A47B 3/08; A47B 7/00; A47B
21/00; A47B 23/00; A47B 25/00; A47B
13/08; A47B 3/083; A47B 3/14; A47B
41/00; A47B 17/00; A47B 3/0809; A47B
3/0812; A47B 2013/026; A47B 2200/03;
A47B 2200/00; A47B 2003/0821; A47B
5/006; A47C 3/045; B60N 3/007; B64D
11/0638; B64D 11/00

See application file for complete search history.

(56) **References Cited**

U.S. PATENT DOCUMENTS

D367,379 S * 2/1996 Nicholson D6/691.5
D649,810 S * 12/2011 Martin D6/702
D794,985 S * 8/2017 Tsuchiyama D6/709

(Continued)

OTHER PUBLICATIONS

Business Class Tray, posted at Nycaviation.com, posted on Jan. 9, 2014, site visited May 2, 2018. online, available from internet:

<http://www.nycaviation.com/2014/01/flying-style-american-air-lines-launches-a321-transcontinental-service/32200/business-class-tray-table-on-american-airlines-a321t> (Year: 2014).*

(Continued)

Primary Examiner — Mary Ann Calabrese

Assistant Examiner — Catherine Ho

(74) *Attorney, Agent, or Firm* — Eugene Vamos

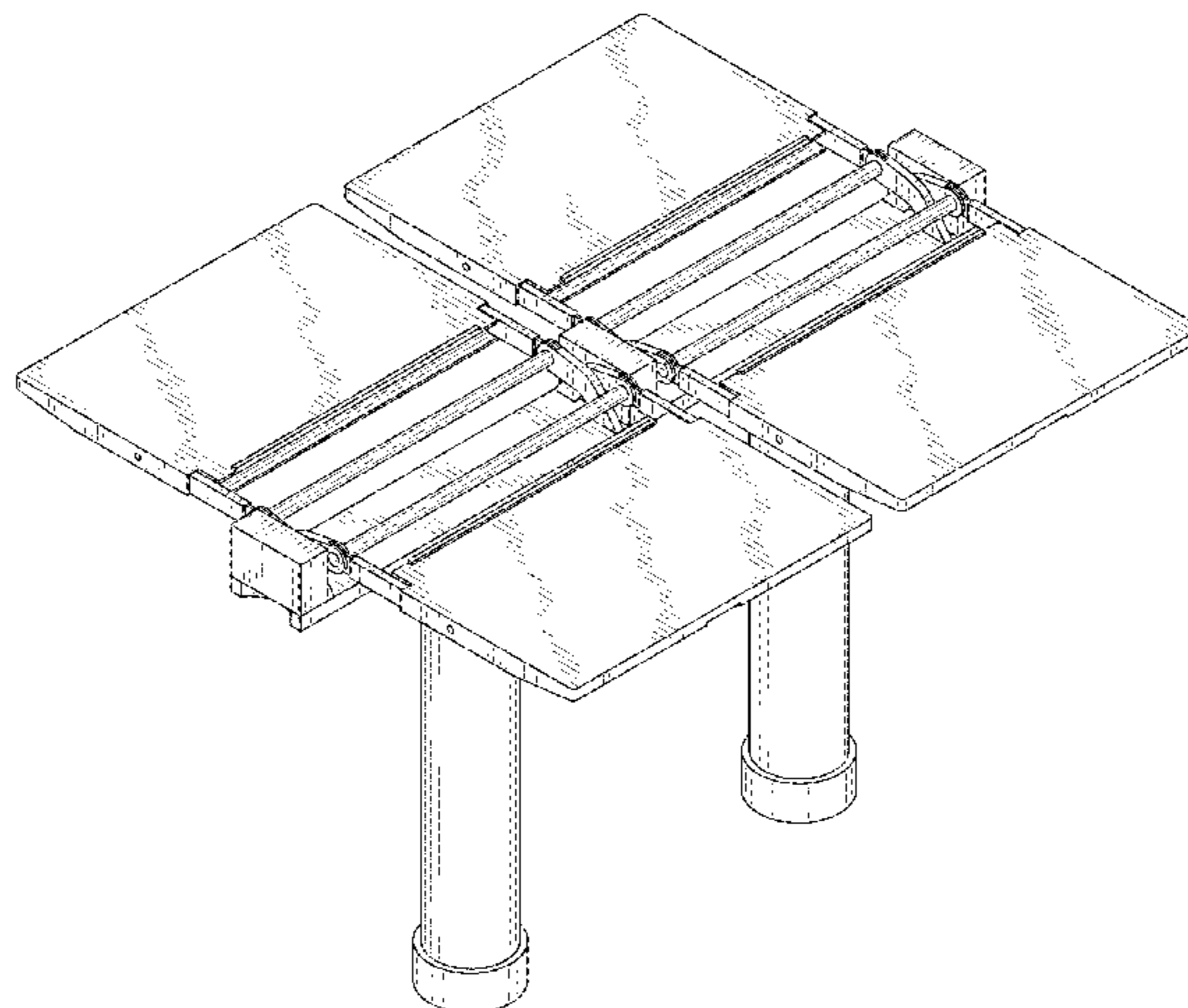
(57) **CLAIM**

I claim the ornamental design for a flip top table, as shown and described.

DESCRIPTION

FIG. 1 is a perspective view of a flip top table in an extended position, showing my new design;
FIG. 2 is a front elevation view thereof, the back elevation view being a mirror image thereof;
FIG. 3 is a left side elevation view thereof, the right side elevation view being a mirror image thereof;
FIG. 4 is a top plan view thereof;
FIG. 5 is a bottom plan view thereof;
FIG. 6 is a perspective view of the flip top table in a retracted position;
FIG. 7 is a front elevation view thereof, the back elevation view being a mirror image thereof;
FIG. 8 is a left side elevation view thereof, the right side elevation view being a mirror image thereof;
FIG. 9 is a top plan view thereof;
FIG. 10 is a bottom plan view thereof;
FIG. 11 is a perspective view of the flip top table in a folded position;
FIG. 12 is a front elevation view thereof, the back elevation view being a mirror image thereof;
FIG. 13 is a left side elevation view thereof; the right side elevation view being a mirror image thereof;
FIG. 14 is a top plan view thereof; and,
FIG. 15 is a bottom plan view thereof.

1 Claim, 13 Drawing Sheets



(56)

References Cited

U.S. PATENT DOCUMENTS

9,751,630 B1 * 9/2017 Melton B64D 11/0638
9,791,098 B2 * 10/2017 Boyer F16M 13/022
9,958,956 B2 * 5/2018 Jiang G06F 3/0233
2005/0178297 A1 * 8/2005 Pipkin A47B 23/00
108/25
2011/0121147 A1 * 5/2011 Nyenhuis A47B 3/00
248/201
2013/0093220 A1 * 4/2013 Pajic A47C 7/70
297/163
2014/0327278 A1 * 11/2014 Curtis A47B 83/02
297/163
2015/0061327 A1 * 3/2015 Millan B60N 3/004
297/163
2015/0282608 A1 * 10/2015 Sakanoue B60N 3/002
108/42
2016/0167555 A1 * 6/2016 Allen B64D 11/0638
108/40

OTHER PUBLICATIONS

Delta Air Lines, posted at Sanspotter.com, posted on Feb. 14, 2017, site visited May 2, 2018. online, available from internet: <https://www.sanspotter.com/2017/02/delta-air-lines-md-88-comfort-premium-economy-west-palm-beach-to-atlanta/> (Year: 2017).*

Typos and Airplane Trays, posted at Decker.com, posted on Sep. 1, 2015, site visited May 2, 2018. online, available from Internet: <https://decker.com/blog/tag/airplane-tray-tables/> (Year: 2015).*

* cited by examiner

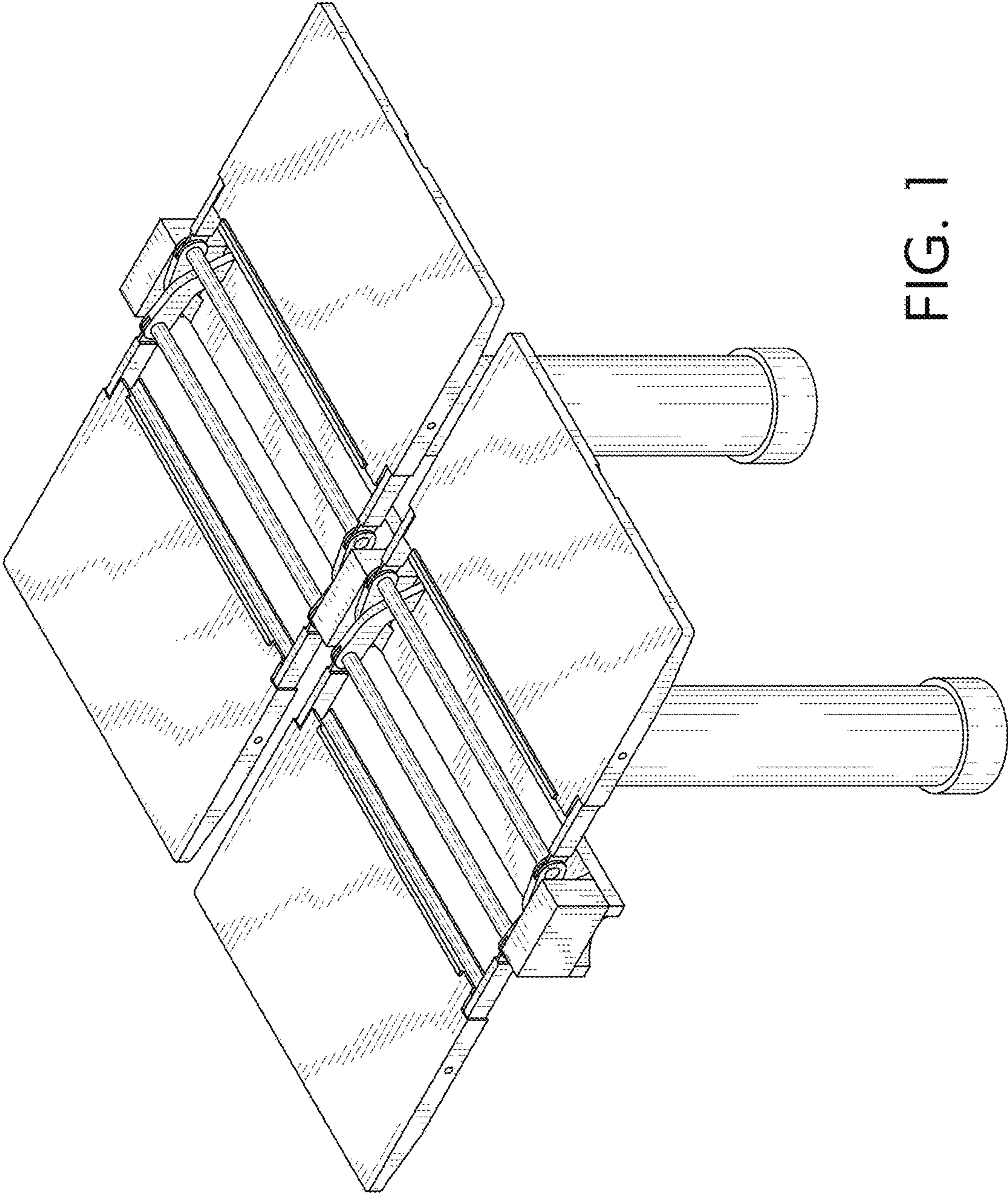


FIG. 1

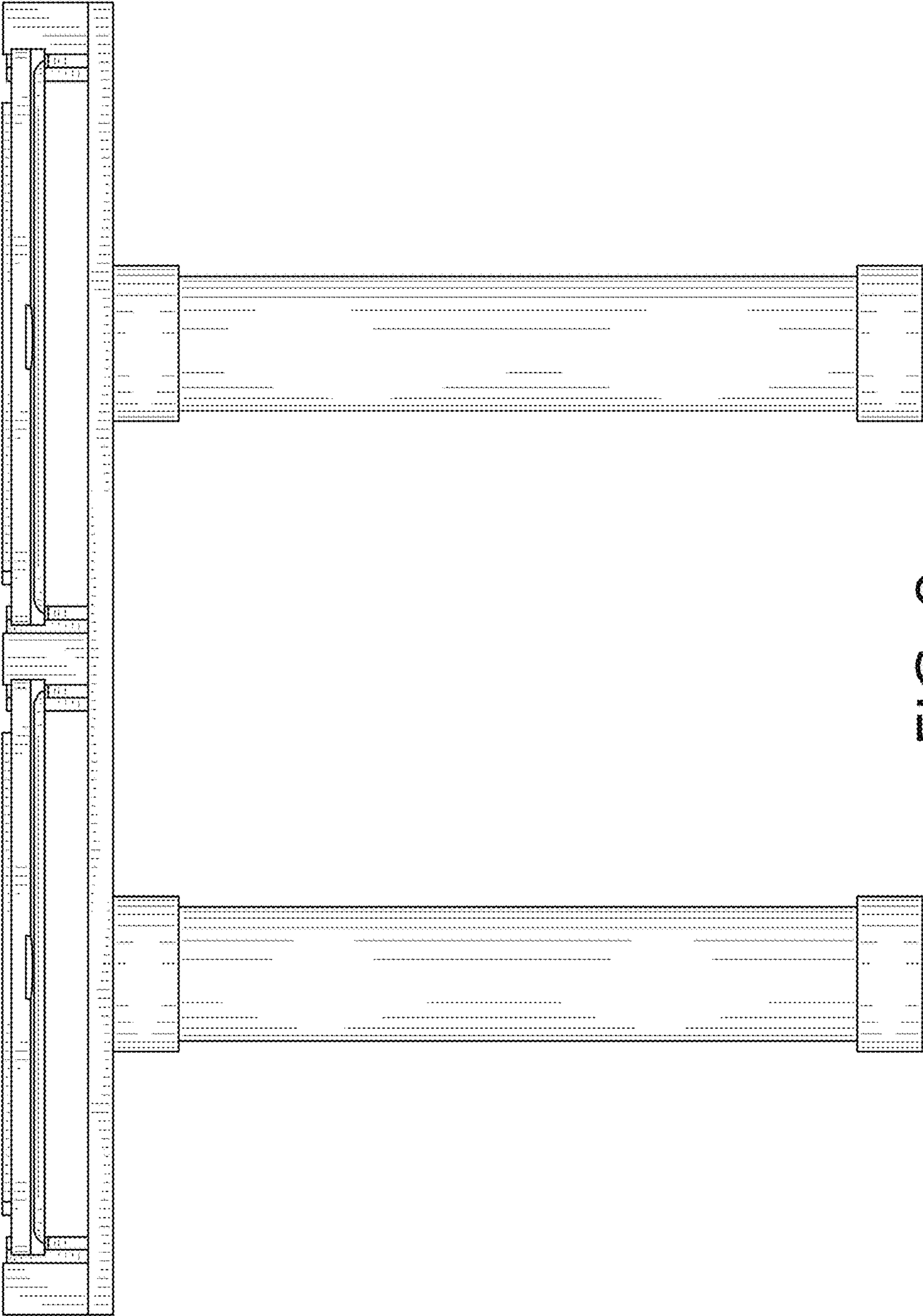


FIG. 2

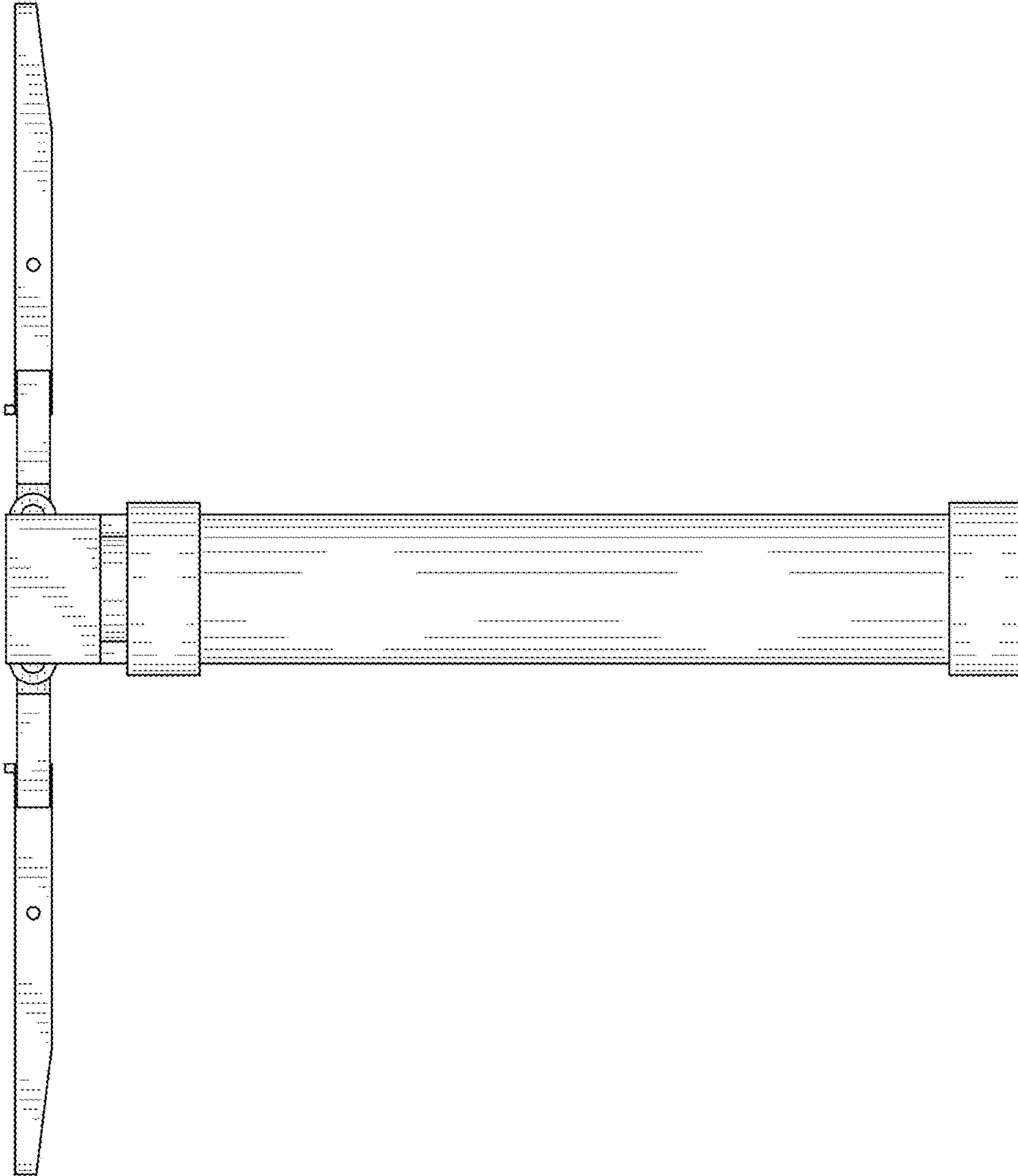


FIG. 3

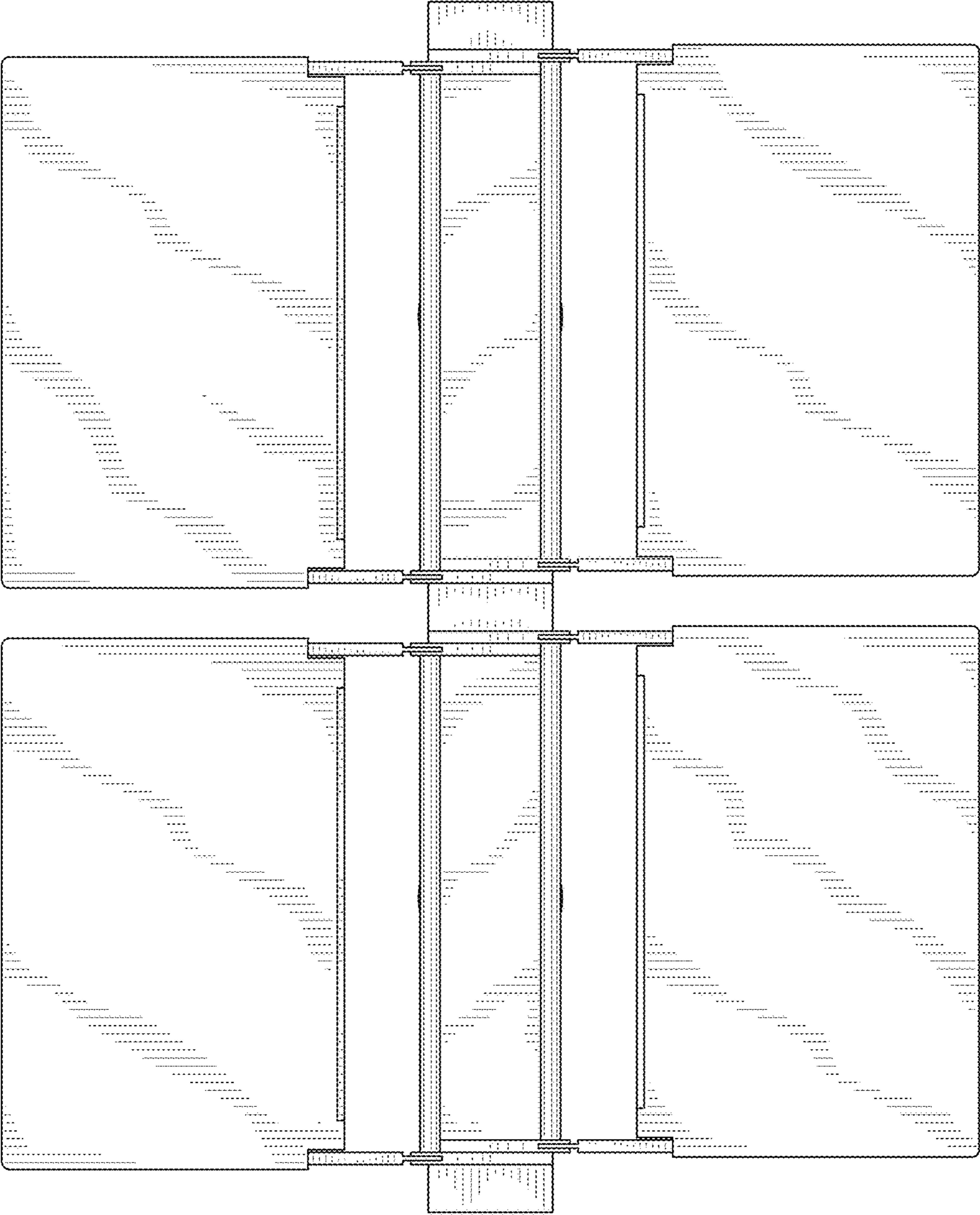


FIG. 4

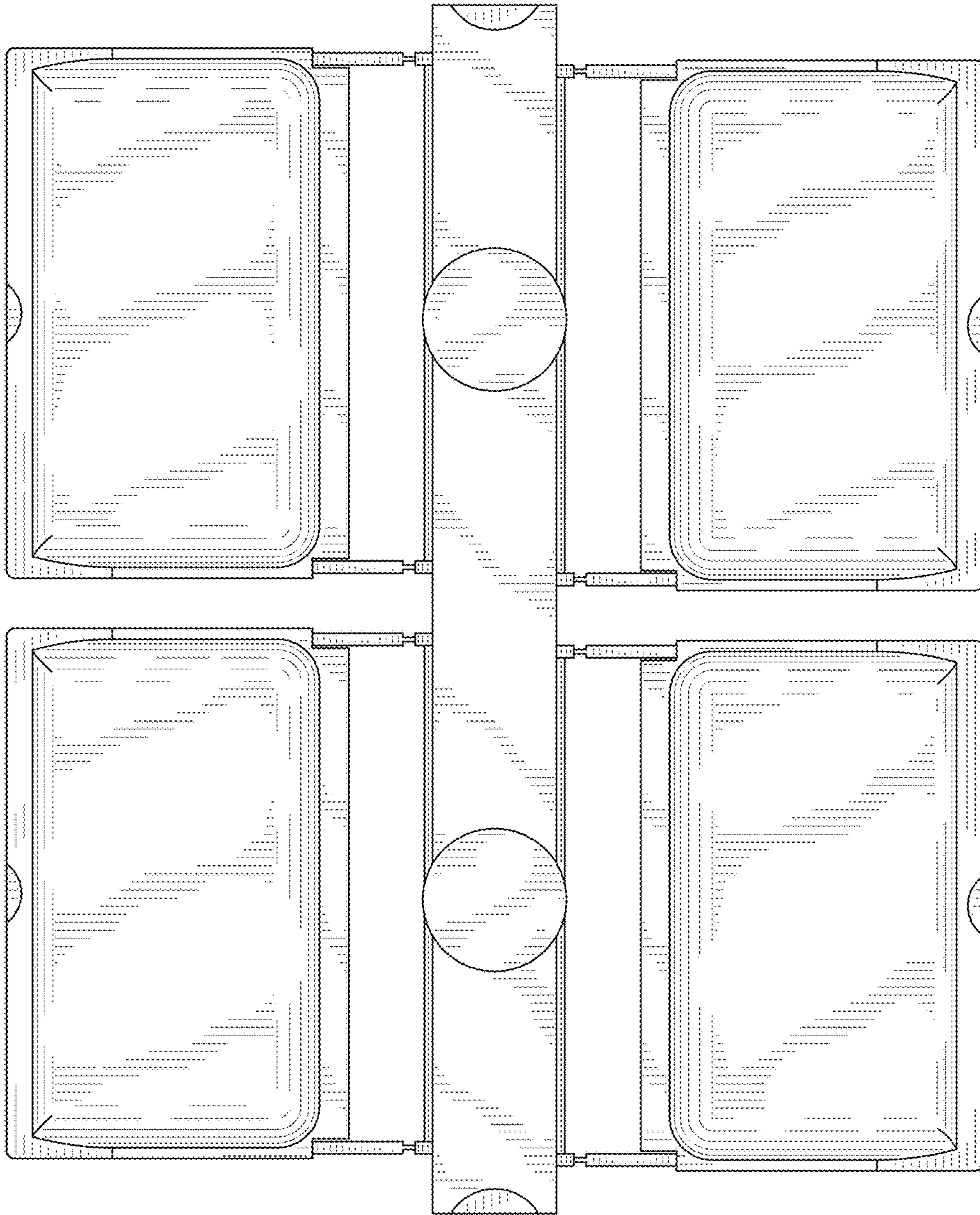


FIG. 5

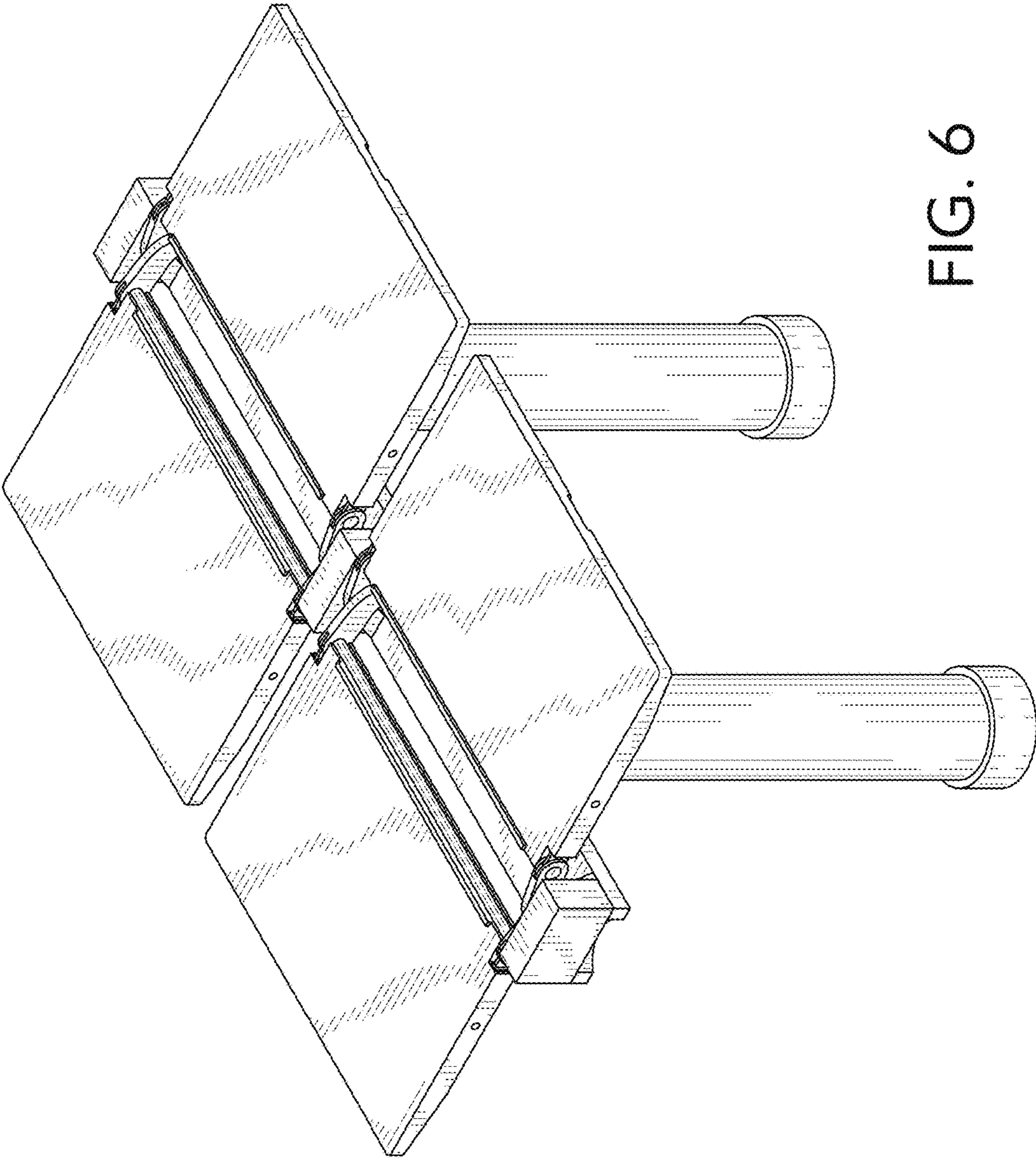


FIG. 6

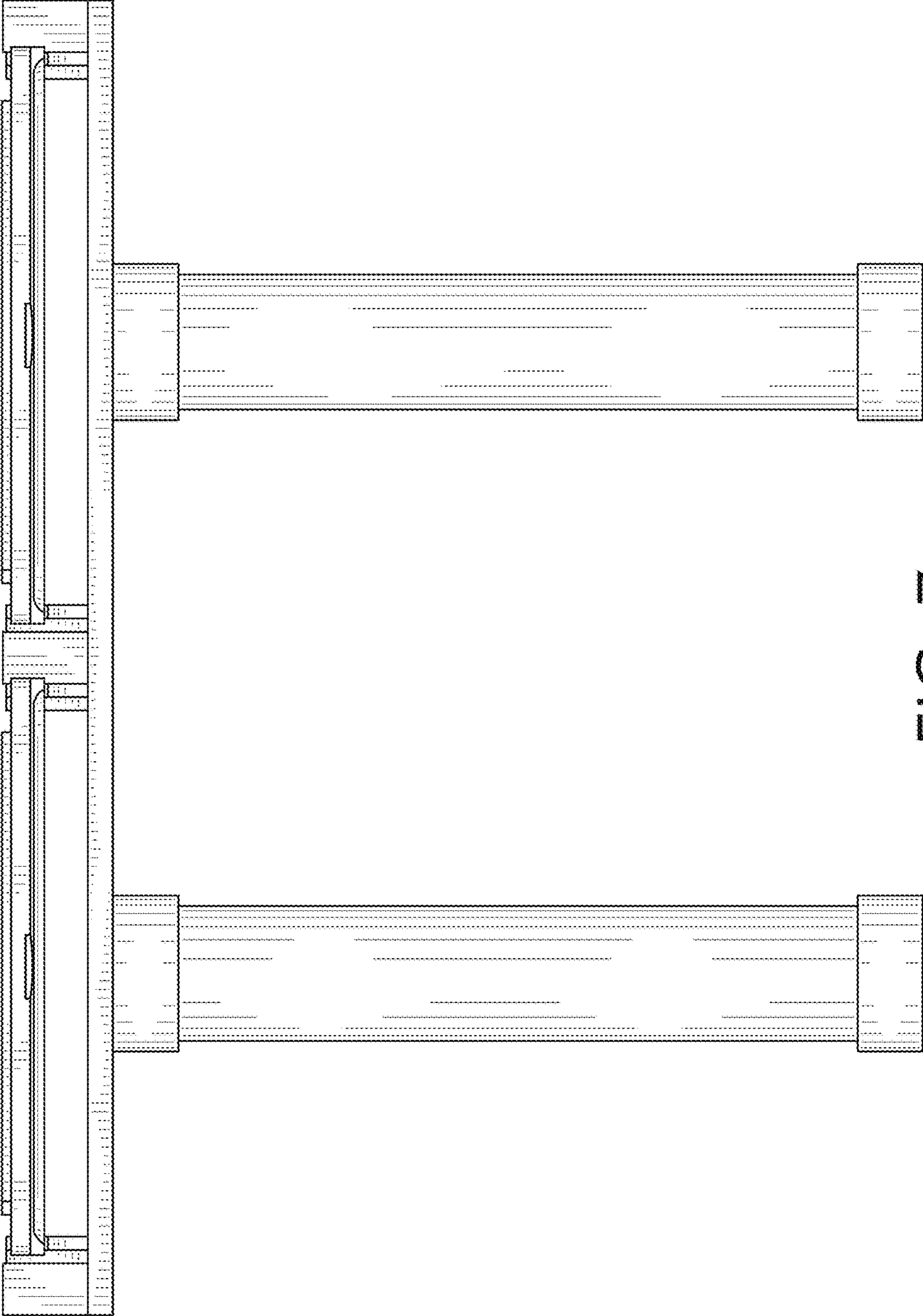


FIG. 7

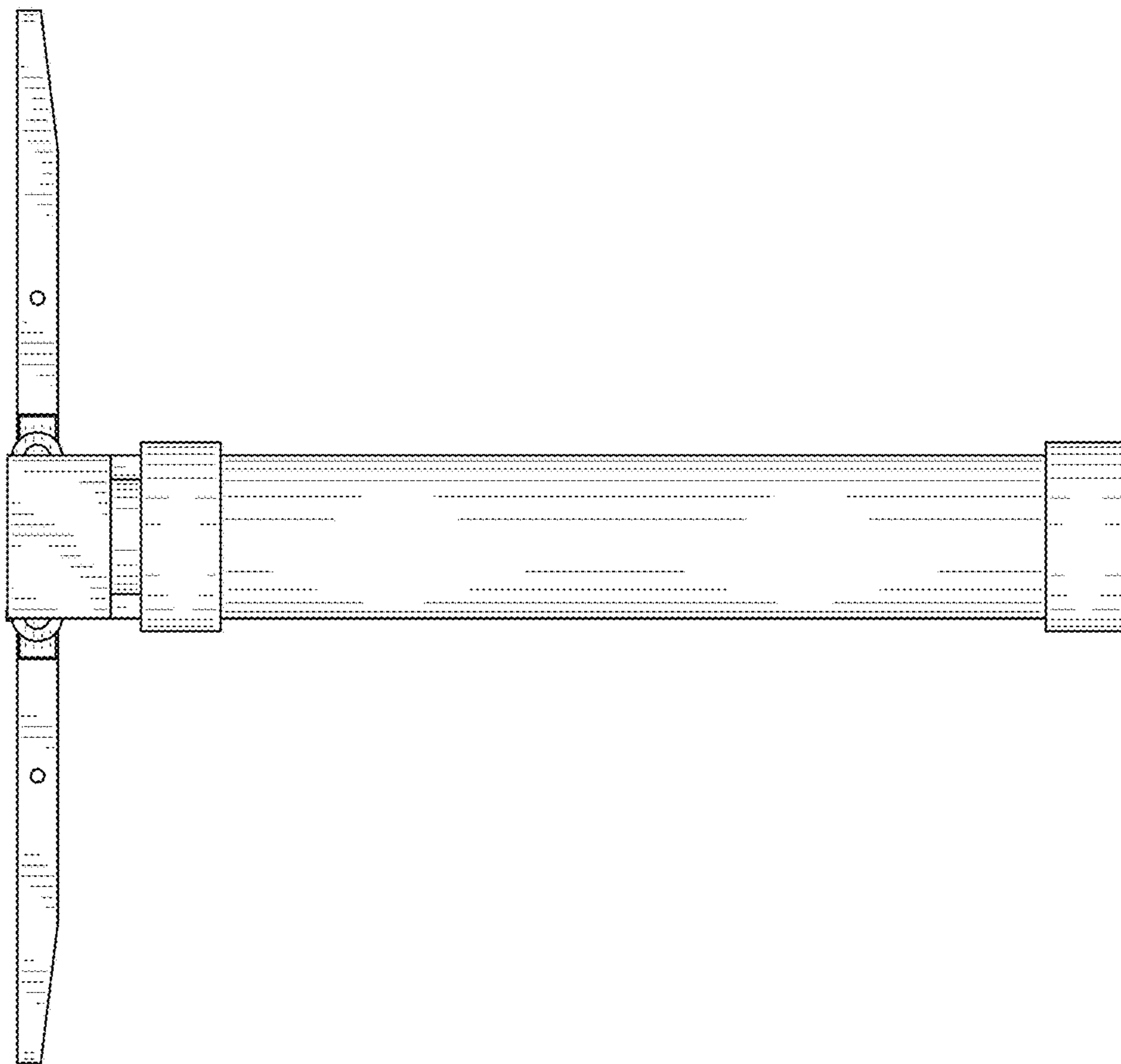


FIG. 8

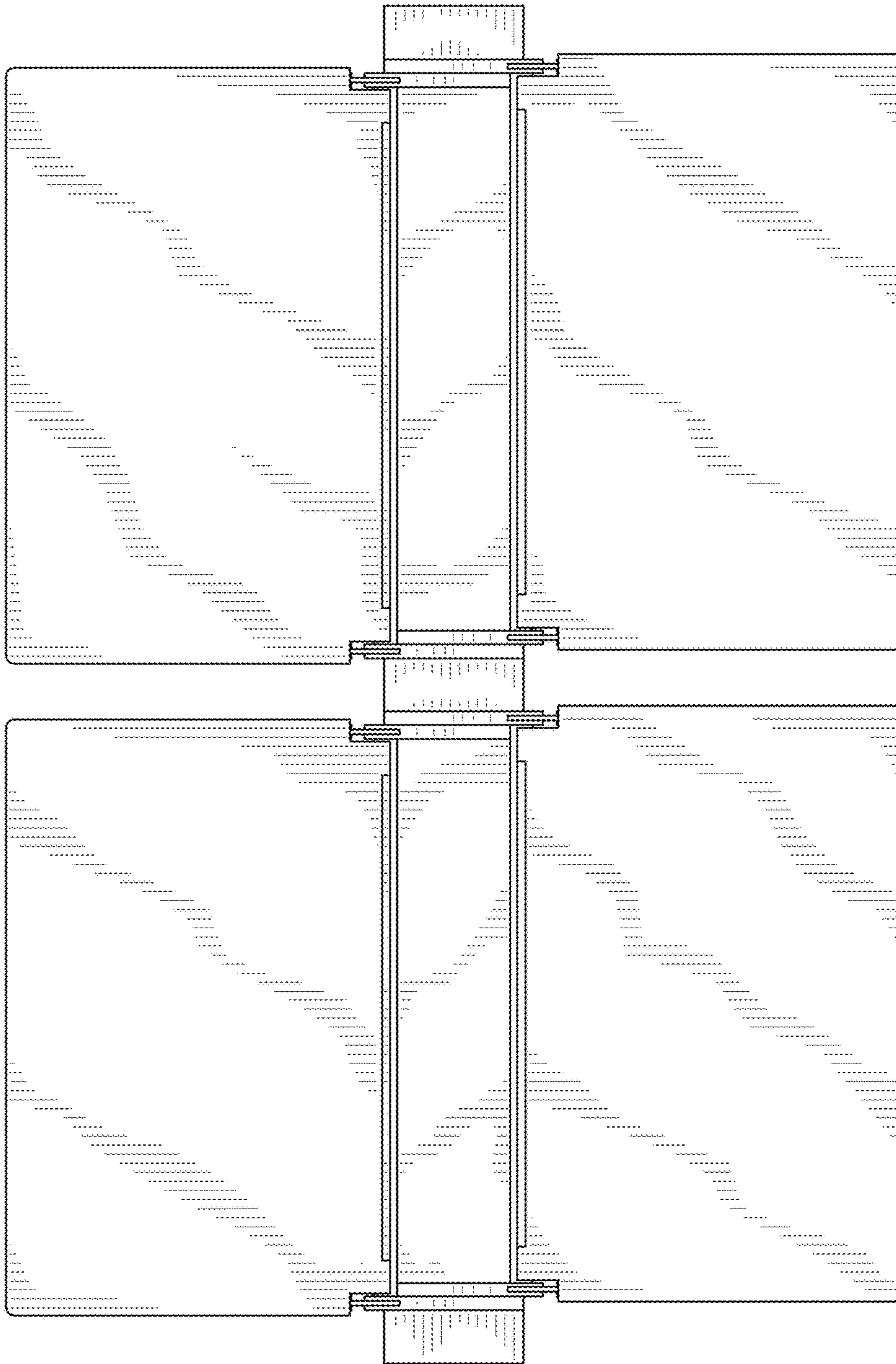


FIG. 9

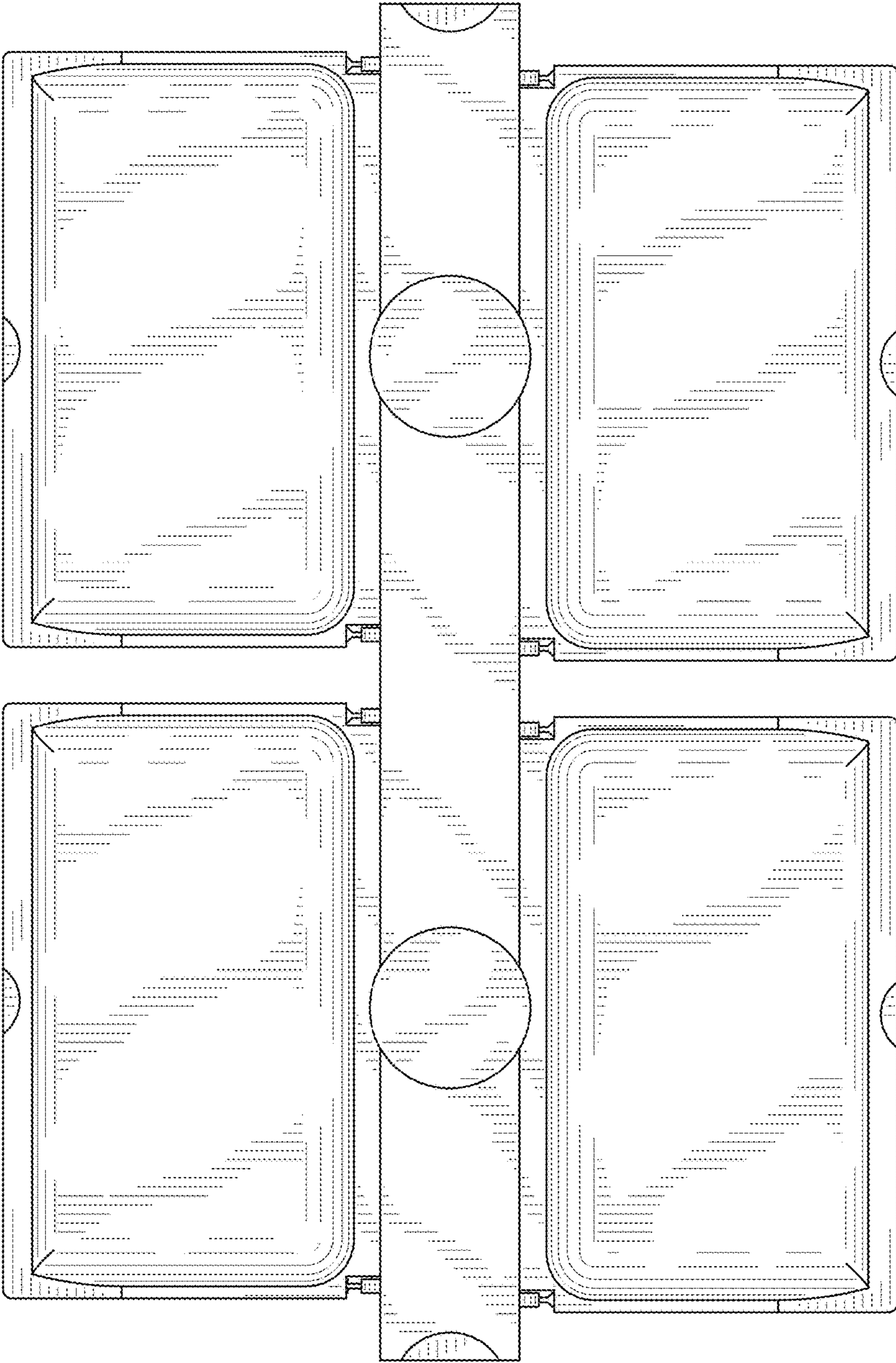


FIG. 10

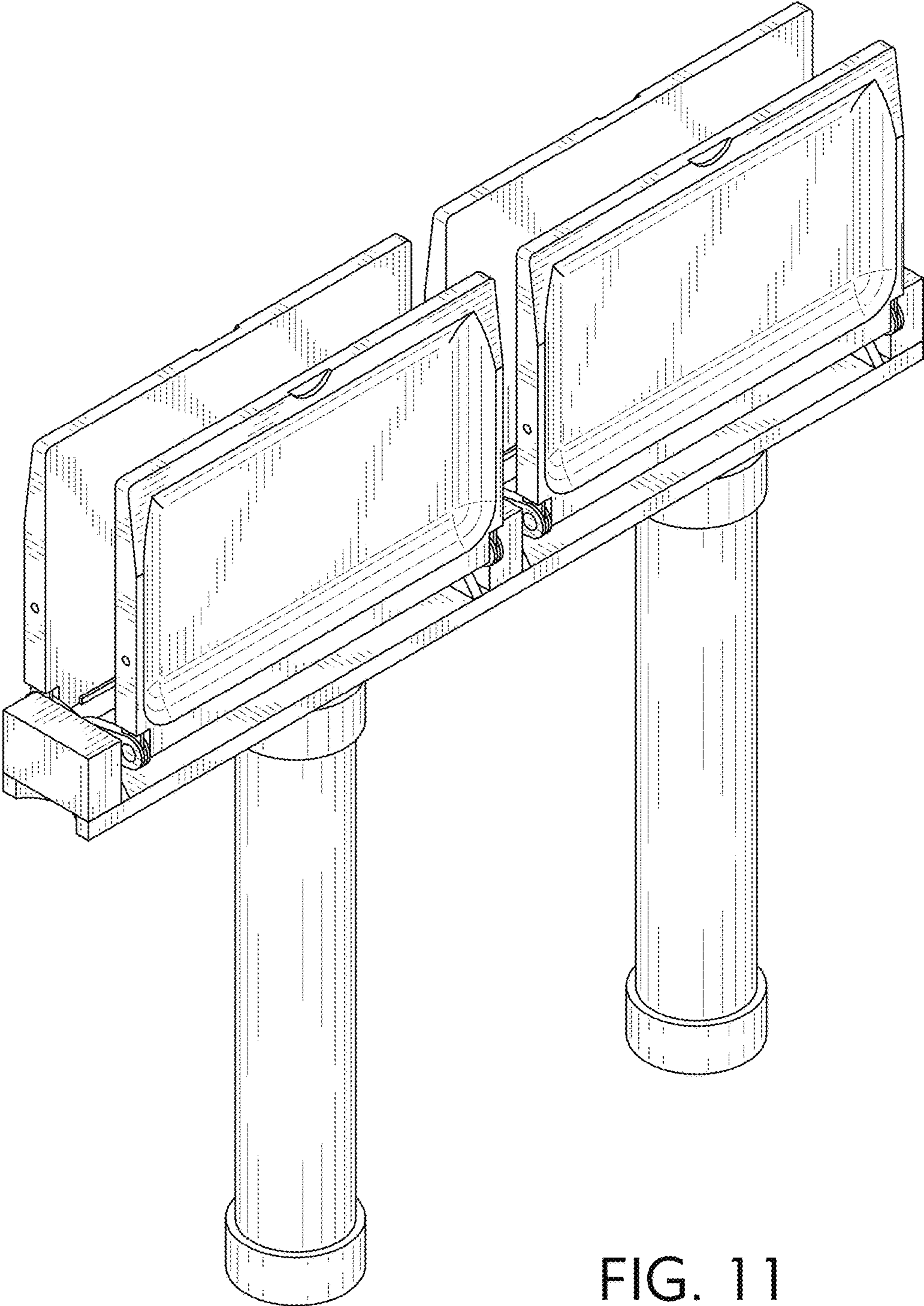


FIG. 11

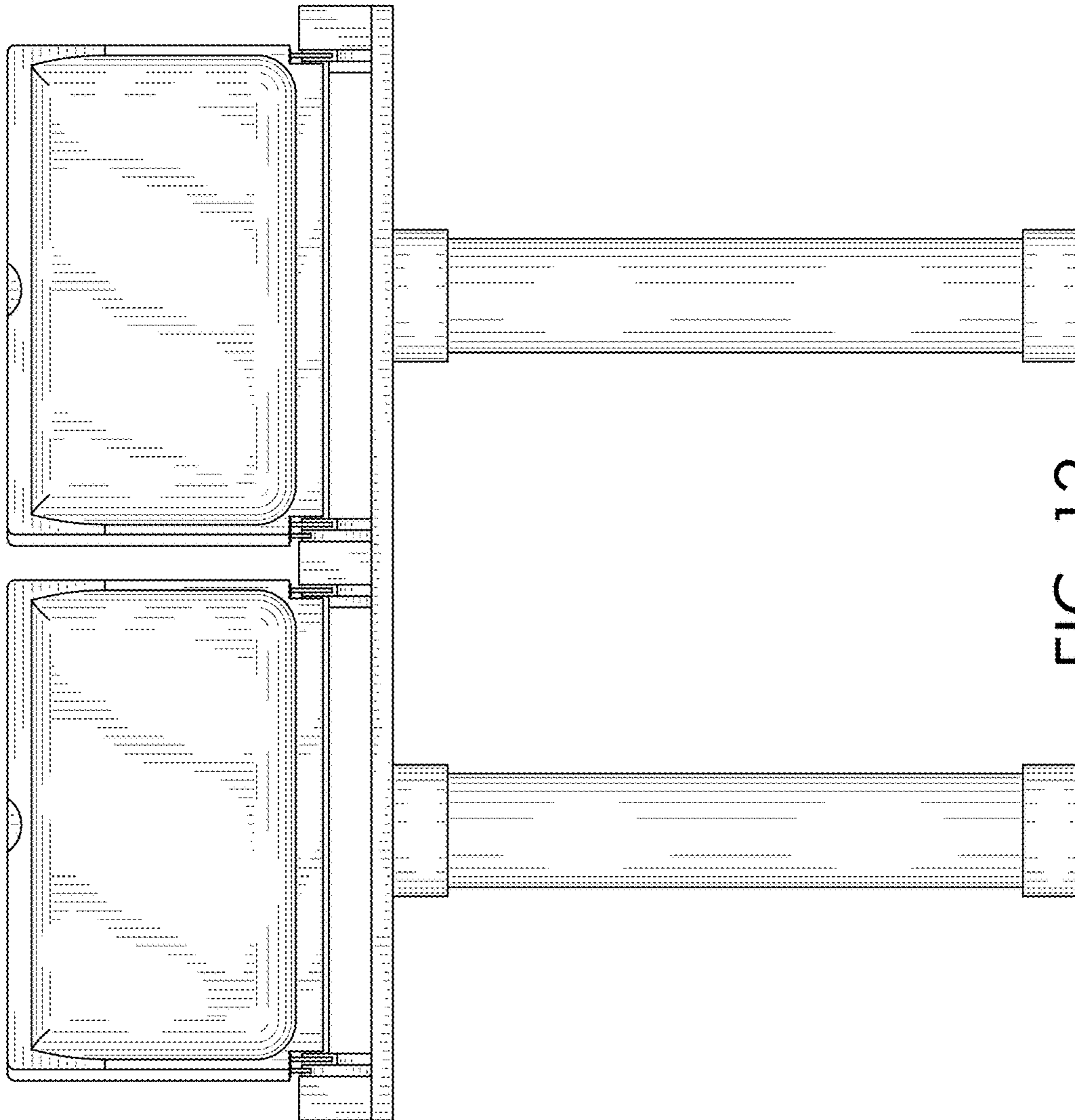


FIG. 12

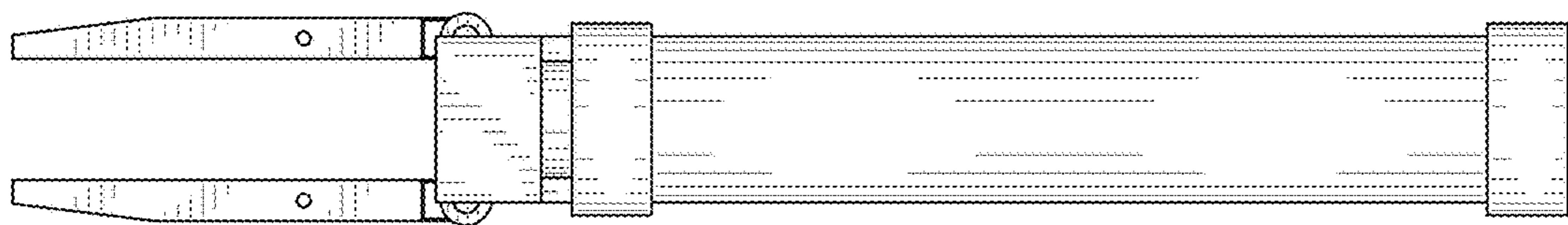


FIG. 13

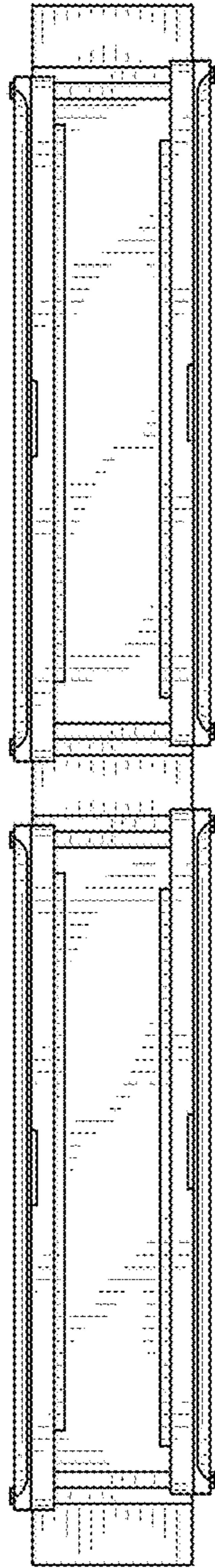


FIG. 14

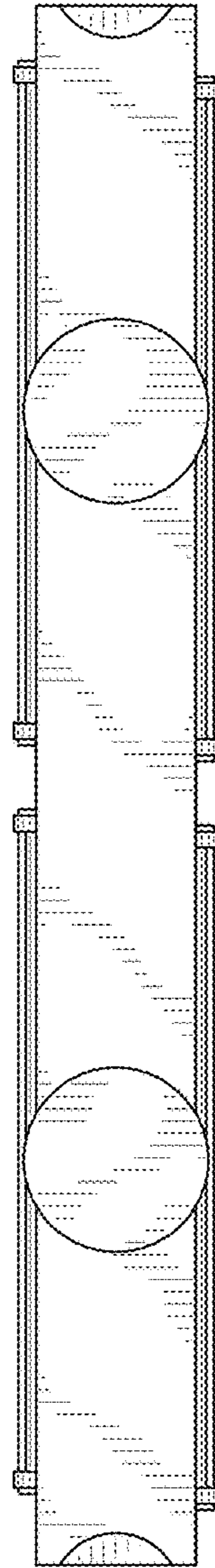


FIG. 15