



US00D823619S

(12) **United States Design Patent** (10) **Patent No.:** **US D823,619 S**
Lipper McCauley (45) **Date of Patent:** **** Jul. 24, 2018**

(54) **ROLLABLE APPLIANCE SUPPORT SYSTEM**

(56) **References Cited**

(71) Applicant: **Lipper International, Inc.**,
Wallingford, CT (US)

U.S. PATENT DOCUMENTS

(72) Inventor: **Amy Lipper McCauley**, Wallingford,
CT (US)

145,011 A 11/1873 Proctor
343,511 A 6/1886 White
(Continued)

(73) Assignee: **LIPPER INTERNATIONAL, INC.**,
Wallingford, CT (US)

FOREIGN PATENT DOCUMENTS

(**) Term: **15 Years**

DE 3406581 A1 8/1985
EP 0207843 A1 1/1987
(Continued)

(21) Appl. No.: **29/609,319**

OTHER PUBLICATIONS

(22) Filed: **Jun. 29, 2017**

European Search Report dated Jun. 1, 2017 from the corresponding
European Application No. EP 17000002.

(51) **LOC (11) Cl.** **07-06**

(Continued)

(52) **U.S. Cl.**
USPC **D6/567**

(58) **Field of Classification Search**
USPC D6/567, 559, 560, 566, 570, 571, 573,
D6/574, 512, 627, 628, 629, 631, 654,
D6/654.11, 654.12, 654.13, 654.14,
D6/654.15, 654.18, 654.19, 654.2, 654.22,
D6/654.21, 655, 655.11, 655.12, 655.13,
D6/655.14, 655.15, 655.17, 655.18,
D6/655.19, 655.2, 677.2, 677.5, 678.4,
D6/705, 705.1, 705.2, 705.3, 705.4,
D6/705.5, 705.6, 705.7, 706.7, 707,
D6/707.1, 707.19, 707.15, 708.2;
D3/201, 215, 218, 247, 248, 249, 250,
D3/251, 252, 263; D7/392, 397, 589,
D7/590, 596, 597, 600, 600.1–600.4, 601,
D7/602, 609, 610, 612, 614, 615,
D7/620–623, 628–632, 637–641,
D7/701–708, 708.1, 709, 710; D19/75,
D19/77, 78, 83, 86, 92; 206/511, 557,
206/560, 510, 513, 503, 566, 563, 564;
220/485, 493, 491; 211/1, 10, 13.1, 69.1,
211/69.5, 70, 70.1, 70.6, 74, 77, 78, 85.1,
211/85.2, 85.4, 85.5, 85.31, 126.9,
(Continued)

Primary Examiner — Wan Laymon
Assistant Examiner — Mark Booker
(74) *Attorney, Agent, or Firm* — Lucas & Mercanti, LLP

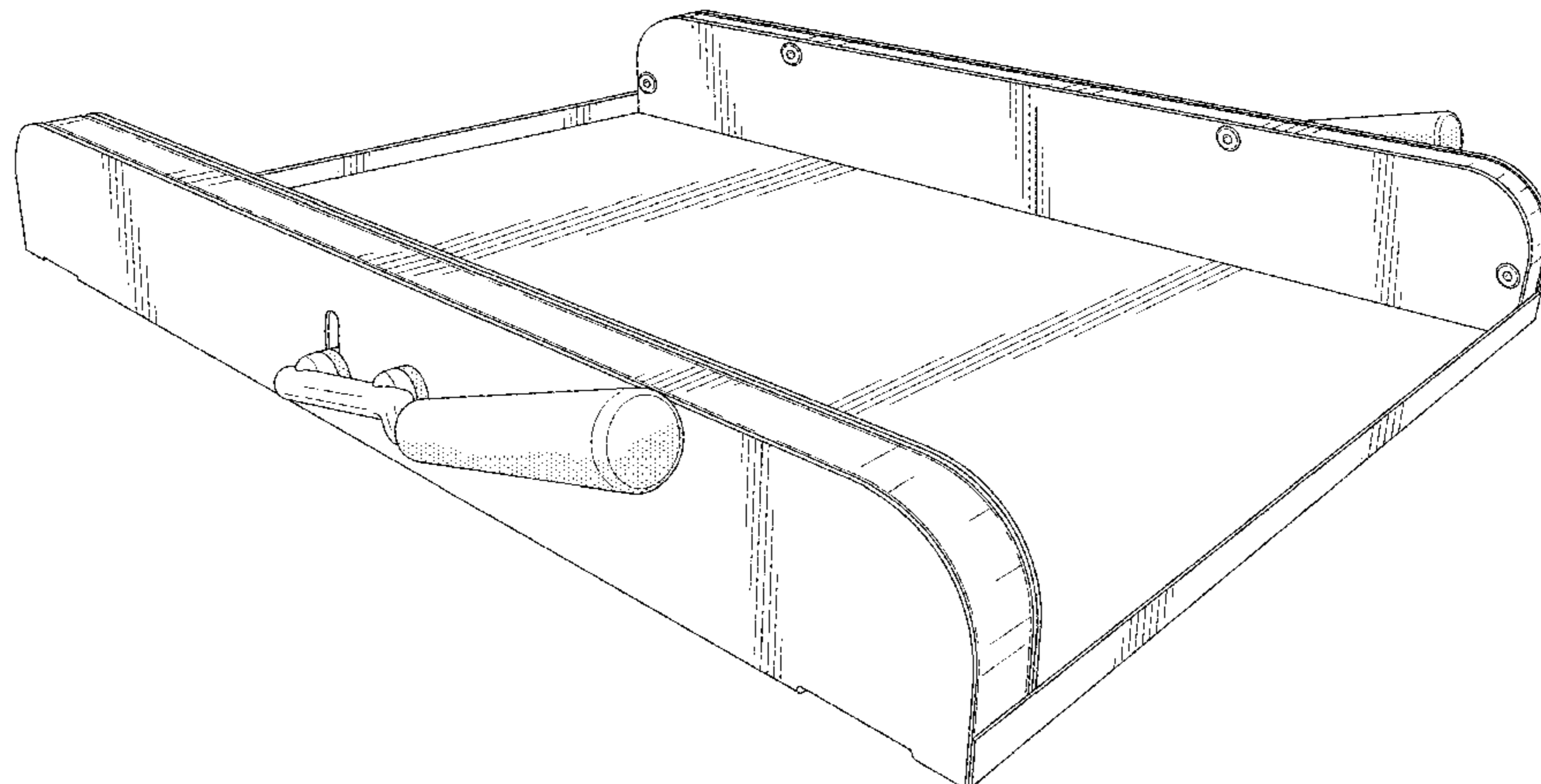
(57) **CLAIM**

The ornamental design for a rollable appliance support system, as shown and described.

DESCRIPTION

FIG. 1 is a perspective view of a rollable appliance support system;
FIG. 2 is a top view thereof;
FIG. 3 is a front view of one end thereof;
FIG. 4 is a rear view of the opposite end thereof;
FIG. 5 is a left side view thereof;
FIG. 6 is a right side view thereof; and,
FIG. 7 is a bottom view thereof.
The portions of the rollable appliance support system shown in broken lines form no part of the claimed design.

1 Claim, 5 Drawing Sheets



(58) **Field of Classification Search**

USPC 211/126.11, 126.15, 129.1, 131.1, 133.2,
 211/133.4, 134, 133.5, 133.6, 181.1, 182;
 312/323, 325, 326, 327, 332.1, 333,
 312/330.1, 334.1, 334.27, 334.44, 408,
 312/410
 CPC A45D 33/22; B65D 2203/00; B65D 7/20;
 B65D 83/00; B65D 21/00; A47G 7/02;
 A47B 81/007; A47J 31/3642; A47J 47/16;
 A47J 47/00

See application file for complete search history.

D684,404 S	6/2013	Hertaus	
D686,464 S	7/2013	Tiemann	
D697,744 S *	1/2014	Lipper McCauley	D6/706
8,641,060 B2	2/2014	Starr et al.	
8,657,306 B2	2/2014	Chiu	
D701,431 S	3/2014	Tsai	
D701,733 S	4/2014	Tiemann	
D703,002 S	4/2014	Tiemann	
D703,003 S	4/2014	Tiemann	
D703,005 S	4/2014	Tiemann	
D708,906 S	7/2014	Tiemann	
D708,907 S	7/2014	Tiemann	
D708,908 S	7/2014	Tiemann	
D708,909 S	7/2014	Tiemann	
D713,691 S	9/2014	Sabounjian	
D713,692 S	9/2014	Tsai	
D718,578 S	12/2014	Sabounjian	
D722,831 S	2/2015	Tuang et al.	
8,974,014 B1	3/2015	Tiemann et al.	
D734,101 S	7/2015	Greenspon	
D743,748 S	11/2015	Tiemann et al.	
D750,442 S	3/2016	Tiemann et al.	
D755,574 S	5/2016	Lee	
D764,236 S *	8/2016	Hertaus	D7/600.1
D778,647 S	2/2017	Snider	
D782,868 S	4/2017	Lien	
D784,745 S *	4/2017	Nilsson	D6/705
2005/0258327 A1	11/2005	Chen	
2012/0024329 A1	2/2012	Ma	
2014/0091695 A1	4/2014	Sabounjian	
2014/0097120 A1	4/2014	Sabounjian	
2014/0183322 A1	7/2014	Starr et al.	
2014/0217876 A1	8/2014	Tsai	
2017/0188704 A1 *	7/2017	Lipper McCauley ..	A47J 47/16

(56) **References Cited**

U.S. PATENT DOCUMENTS

935,289 A	9/1909	Wood	
1,426,328 A	8/1922	Tiffany	
2,042,489 A	6/1936	Williams	
2,192,337 A	3/1940	Tiffany	
2,624,590 A	1/1953	Tilton	
2,783,055 A	2/1957	Michaud	
2,841,410 A	7/1958	Kessler, Jr. et al.	
2,843,392 A	7/1958	Simpkins	
2,878,029 A	3/1959	Dahmen et al.	
2,993,740 A	7/1961	Good	
3,663,982 A	5/1972	Hayden	
3,782,750 A	1/1974	Peters	
4,378,191 A	3/1983	Sato	
4,892,302 A	1/1990	Daigle	
6,276,423 B1	8/2001	Goracy	
D560,090 S *	1/2008	Chung	D6/567
D628,444 S	12/2010	Snider	
D628,445 S	12/2010	Snider	
D644,491 S	9/2011	Snider	
D659,481 S	5/2012	Tiemann	
D660,088 S	5/2012	Tiemann	
D661,951 S	6/2012	Tiemann	
D665,230 S	8/2012	Snider	
D674,213 S	1/2013	Hertaus	
D675,849 S	2/2013	Tawil	
D676,265 S	2/2013	Tawil	
D676,715 S *	2/2013	Tsai	D7/600.1
D679,954 S	4/2013	Snider	
D680,380 S	4/2013	Tiemann	
D682,039 S	5/2013	Tiemann	

FOREIGN PATENT DOCUMENTS

FR	2604426 A1	4/1988
GB	624303 A	6/1949

OTHER PUBLICATIONS

Extended European Search Report dated Jun. 12, 2017 from the corresponding European Application No. EP 17000002, which includes the Examiner's Opinion based on European Search Report.

* cited by examiner

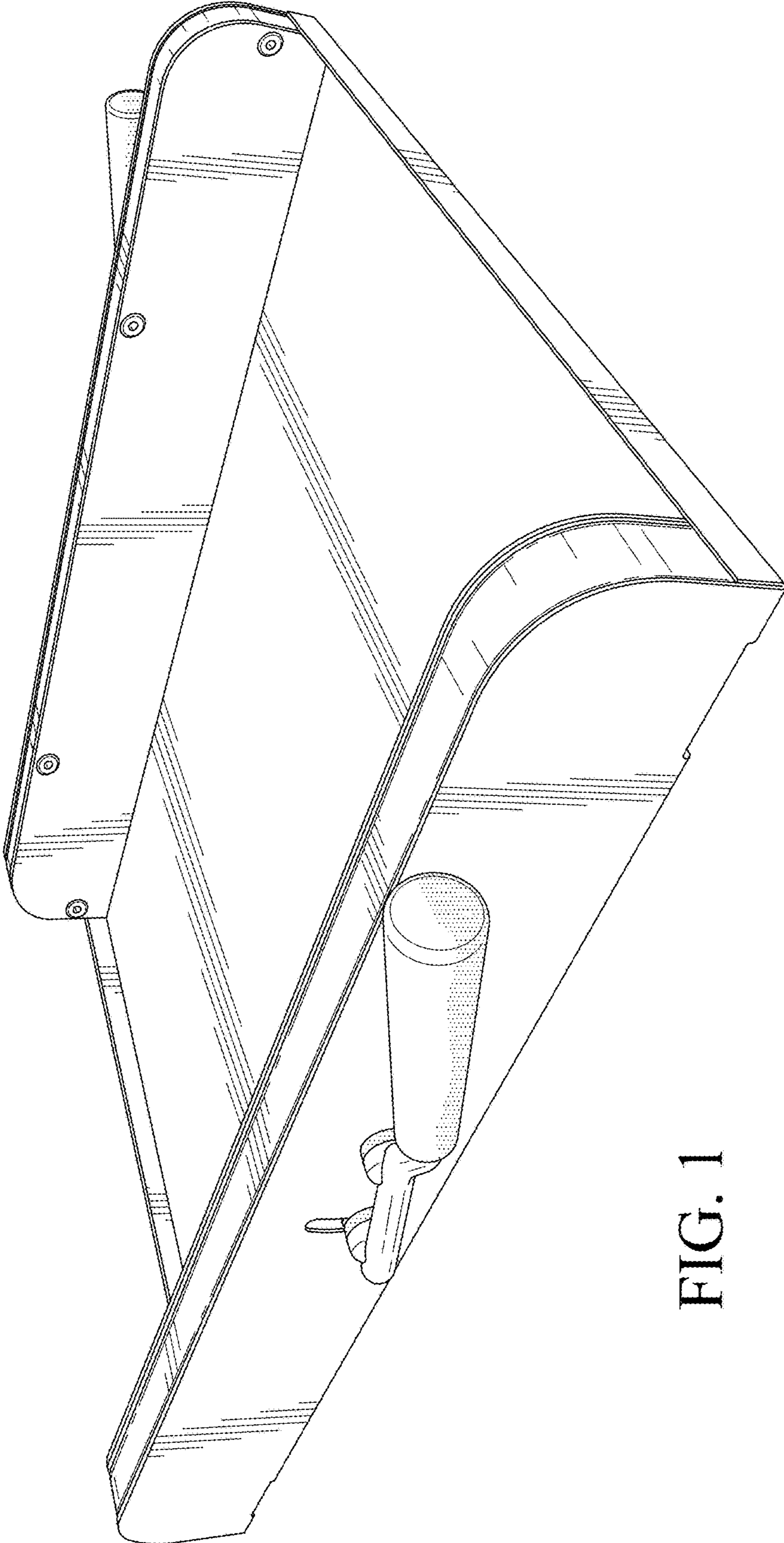


FIG. 1

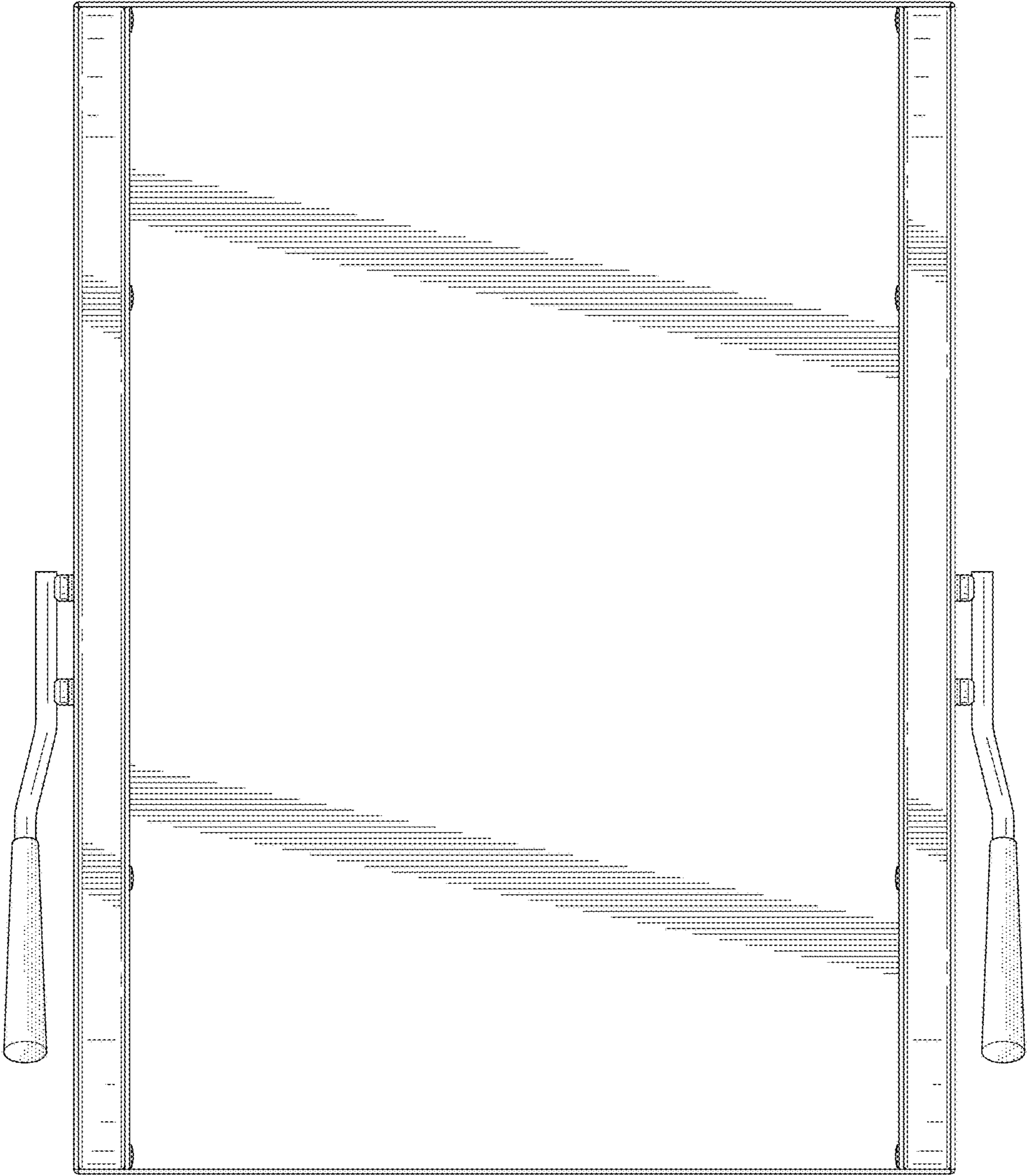


FIG. 2

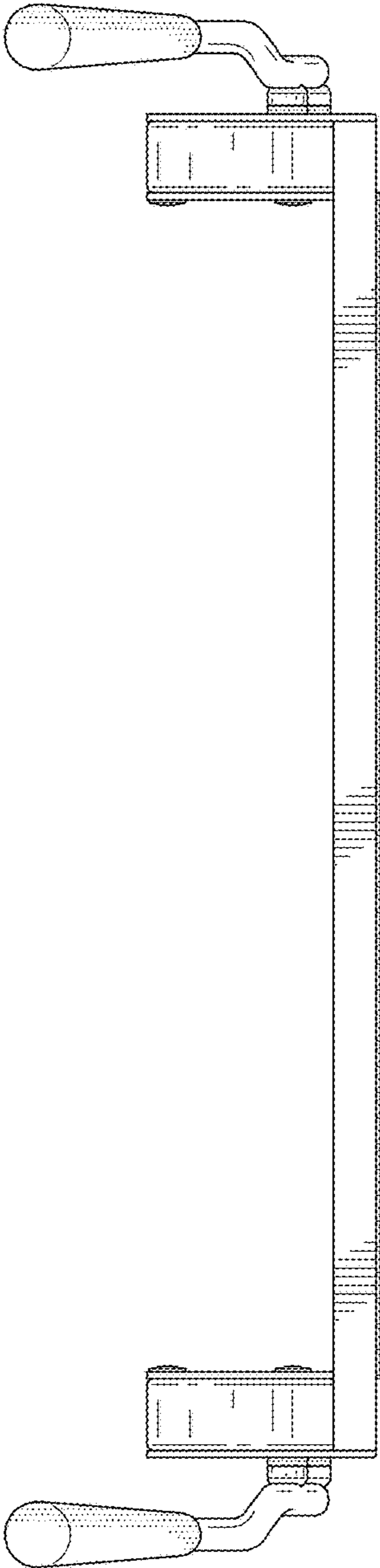


FIG. 3

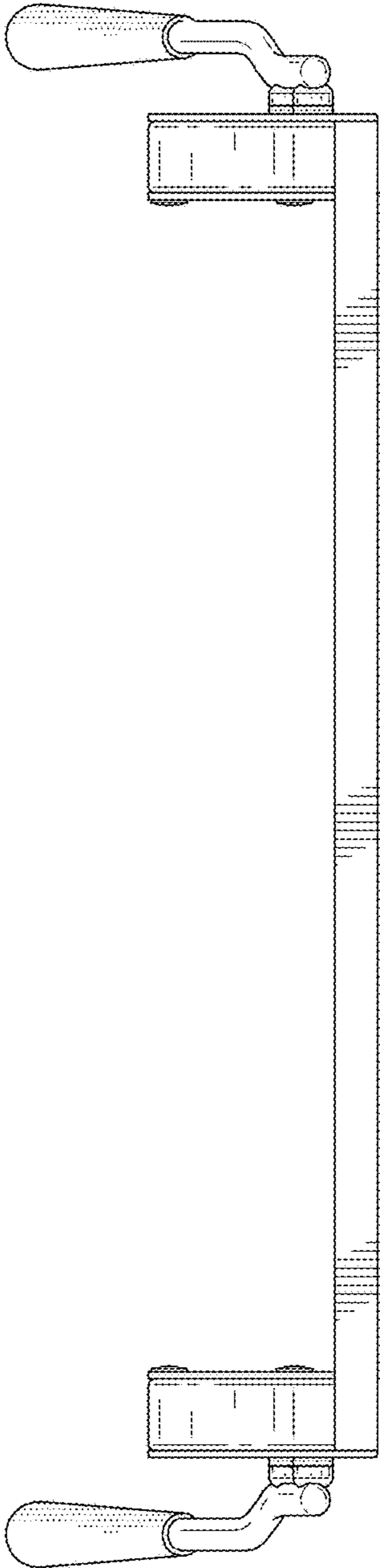


FIG. 4

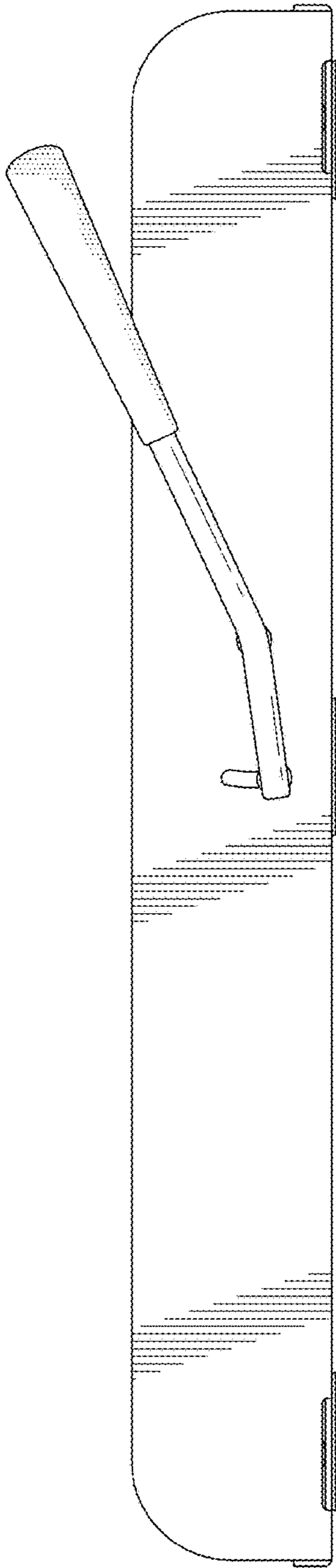


FIG. 5

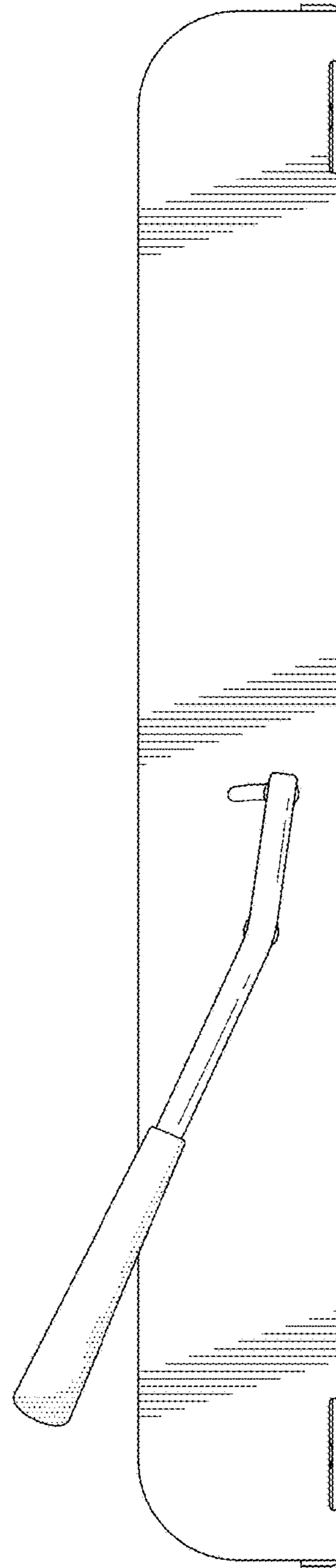


FIG. 6

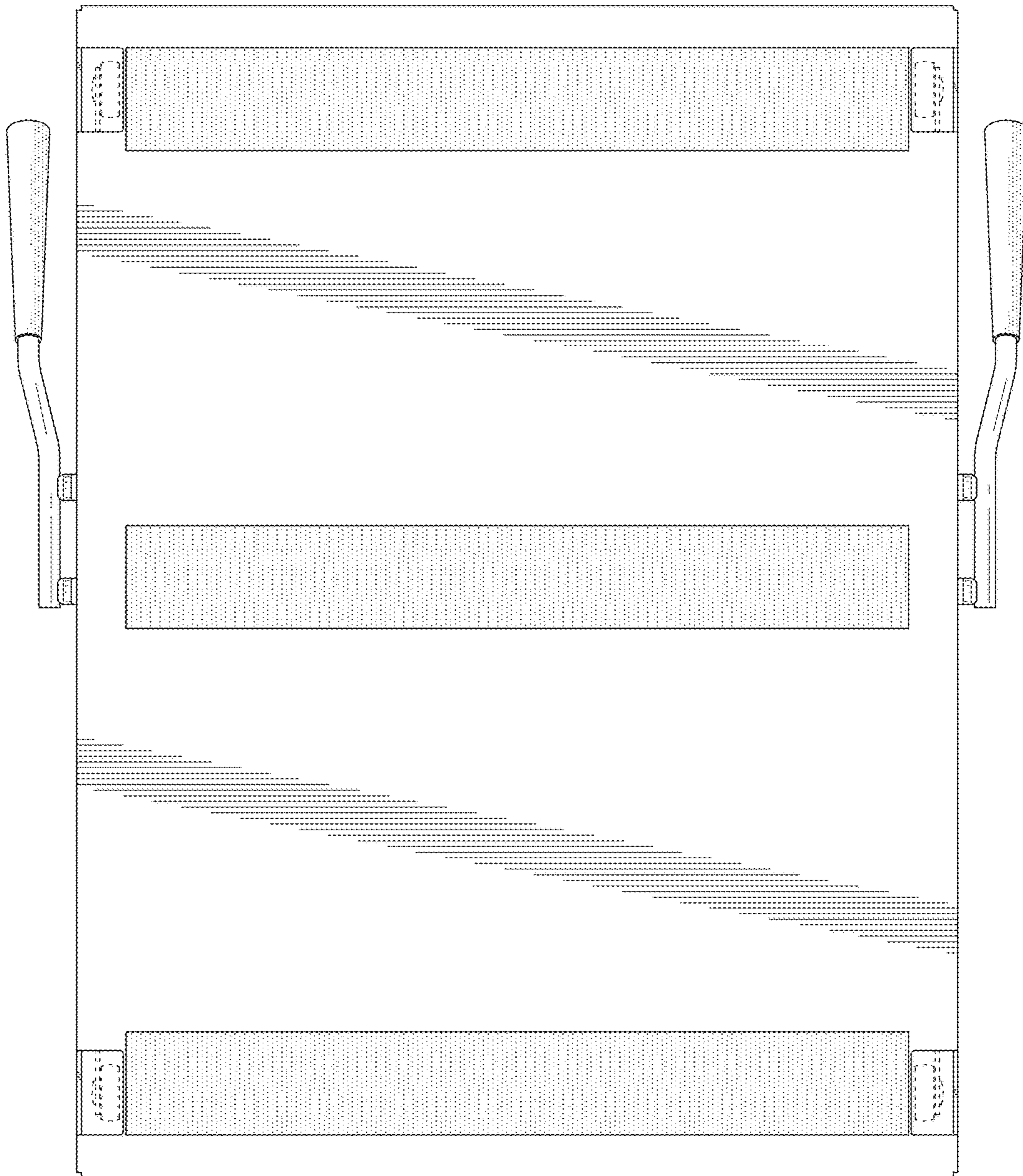


FIG. 7