



US00D823617S

(12) **United States Design Patent** (10) **Patent No.:** **US D823,617 S**
Chiao et al. (45) **Date of Patent:** **** Jul. 24, 2018**

(54) **GARAGE WALL CABINET** 5,800,029 A * 9/1998 Robertson A47B 81/00
 108/38
 (71) Applicant: **Trinity International Industries, LLC,** D458,048 S 6/2002 Camfferman et al.
 Carson, CA (US) D478,433 S 8/2003 Woods
 D479,411 S 9/2003 Nielsen
 (72) Inventors: **Jerry Chiao,** Newark, CA (US); D512,864 S * 12/2005 Moon D6/561
Cze-Chao Tam, Palos Verdes, CA D576,421 S 9/2008 Grabowski et al.
 (US); **Yuan-Luen Chuang,** Ortonville, D591,979 S 5/2009 Singler et al.
 MI (US) D602,282 S 10/2009 Lulloff et al.
 D679,115 S 4/2013 Chavez
 D679,116 S 4/2013 Evangelidis
 D686,437 S 7/2013 Johnson et al.
 (73) Assignee: **Trinity International Industries,** D801,728 S 11/2017 Reyes et al.
L.L.C., Carson, CA (US) D807,085 S 1/2018 Vandenharn et al.
 2005/0057128 A1 * 3/2005 Anderson A47B 47/042
 312/257.1

(**) Term: **15 Years**

(Continued)

(21) Appl. No.: **29/605,802**

Primary Examiner — Wan Laymon

(22) Filed: **May 30, 2017**

Assistant Examiner — Mark Booker

(51) **LOC (11) Cl.** **06-04**

(74) *Attorney, Agent, or Firm* — Innovation Capital Law Group, LLP; Vic Lin

(52) **U.S. Cl.**

USPC **D6/559**

(58) **Field of Classification Search**

USPC D6/559, 446, 553, 561; D3/201, 203,
D3/254; 211/13.1, 86.01; 312/242, 245,
312/257.1, 271, 301

CPC A47B 67/02; A47B 47/00; A47B 96/00;
A47B 51/00; A47B 53/00; A47B 81/00;
E06B 3/5045

See application file for complete search history.

(57) **CLAIM**

The ornamental design for a garage wall cabinet, as shown and described.

DESCRIPTION

FIG. 1 is a front perspective view of a garage wall cabinet; FIG. 2 is a rear perspective view thereof; FIG. 3 is a front elevation view thereof; FIG. 4 is a rear elevation view thereof; FIG. 5 is a right elevation view thereof; FIG. 6 is a left elevation view thereof; FIG. 7 is a top plan view thereof; and, FIG. 8 is a bottom plan view thereof.

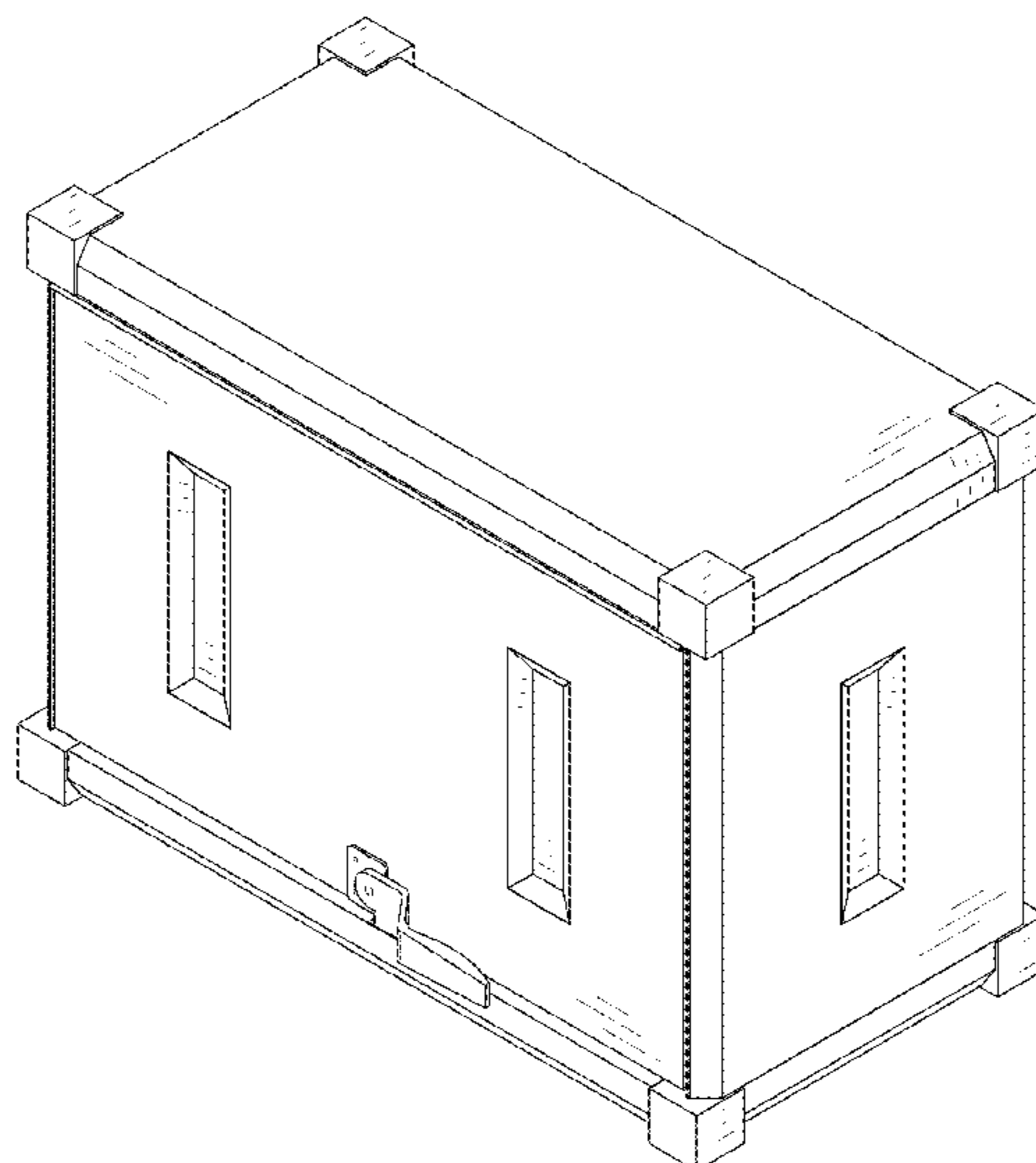
The broken line showing in the figures is included for the purpose of illustrating portions of the garage wall cabinet and form no part of the claimed design.

1 Claim, 8 Drawing Sheets

(56) **References Cited**

U.S. PATENT DOCUMENTS

D144,029 S	3/1946	Broadbent	
3,879,096 A	4/1975	Blodee	
3,926,486 A	12/1975	Sasnett	
3,971,605 A	7/1976	Sasnett	
4,078,342 A	3/1978	Cohen	
5,368,380 A	11/1994	Mottmiller et al.	
D364,064 S *	11/1995	Lorenz	D6/559
5,586,816 A *	12/1996	Geiss, II	A47B 46/00 312/301
D384,846 S	10/1997	Zaidman et al.	



(56)

References Cited

U.S. PATENT DOCUMENTS

2017/0361472 A1* 12/2017 Padova A47B 88/988

* cited by examiner

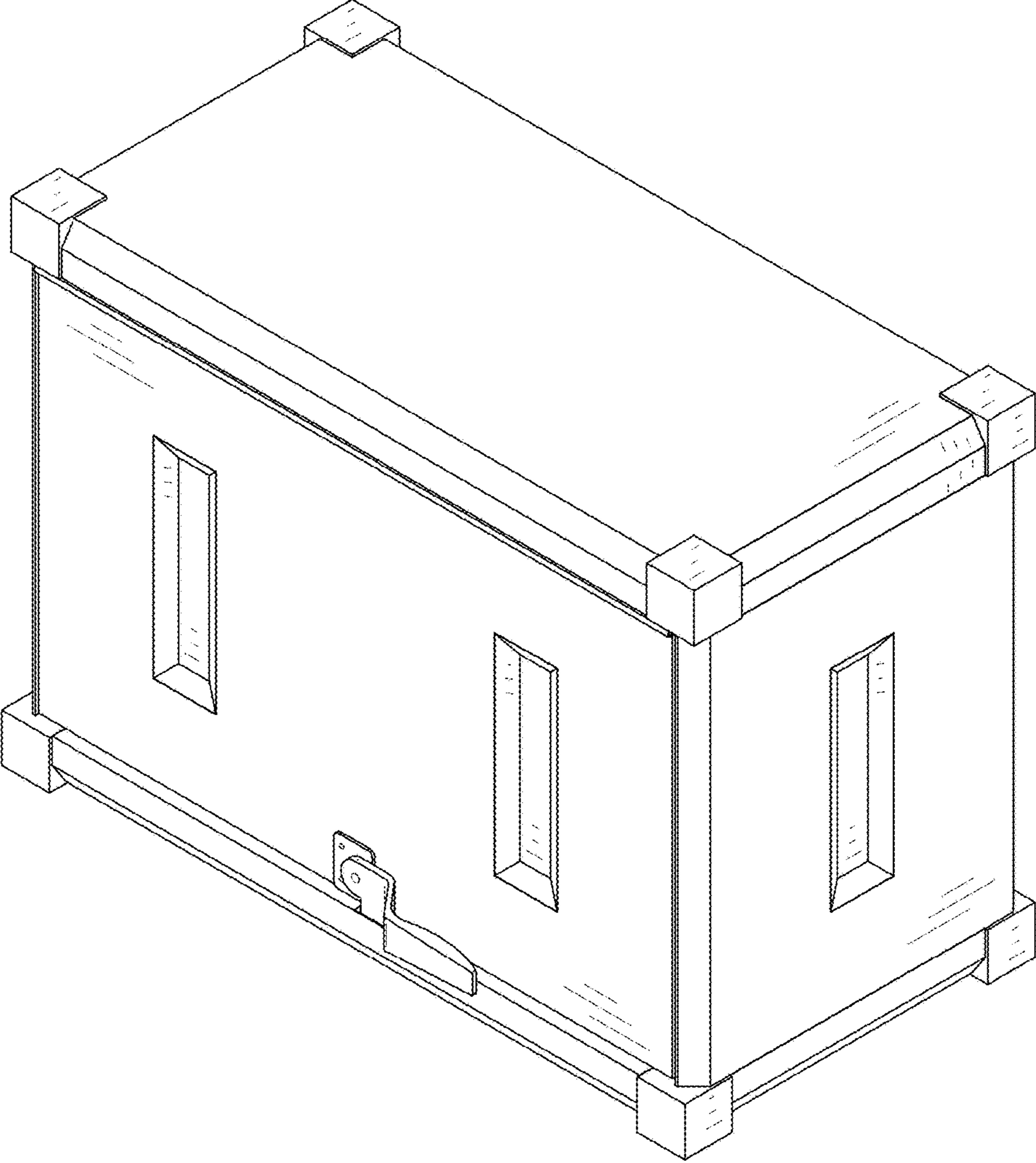


FIG. 1

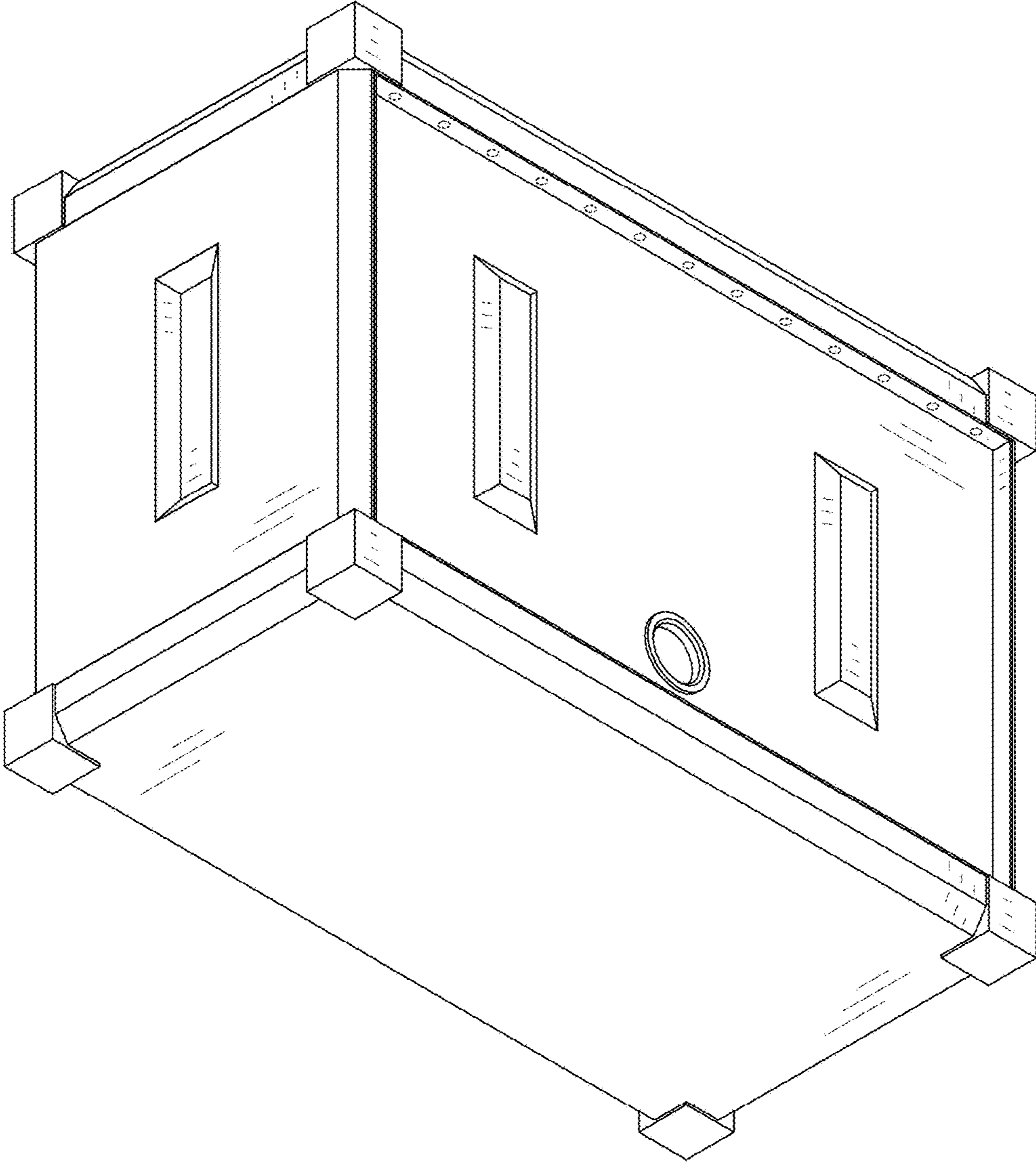


FIG. 2

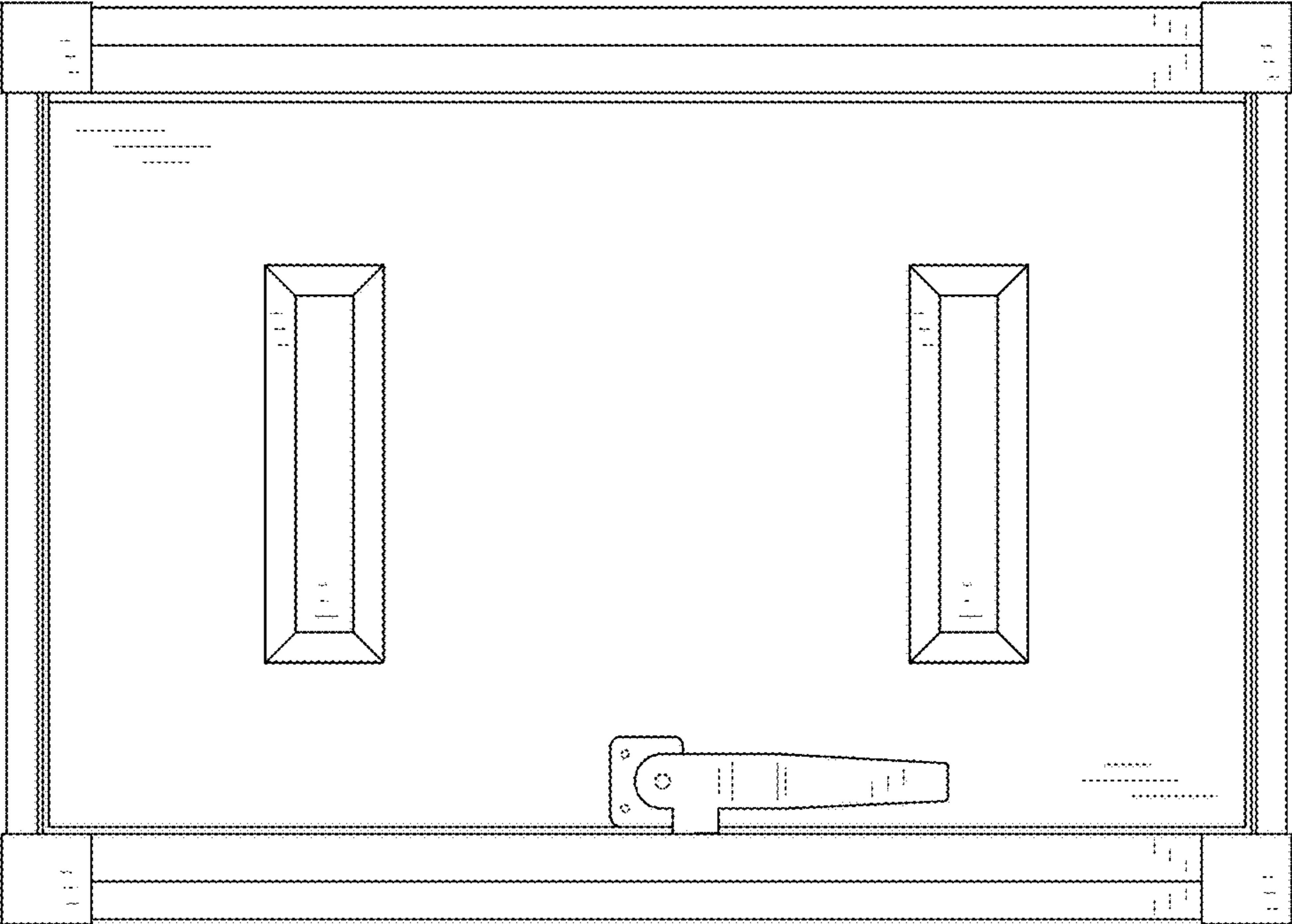


FIG. 3

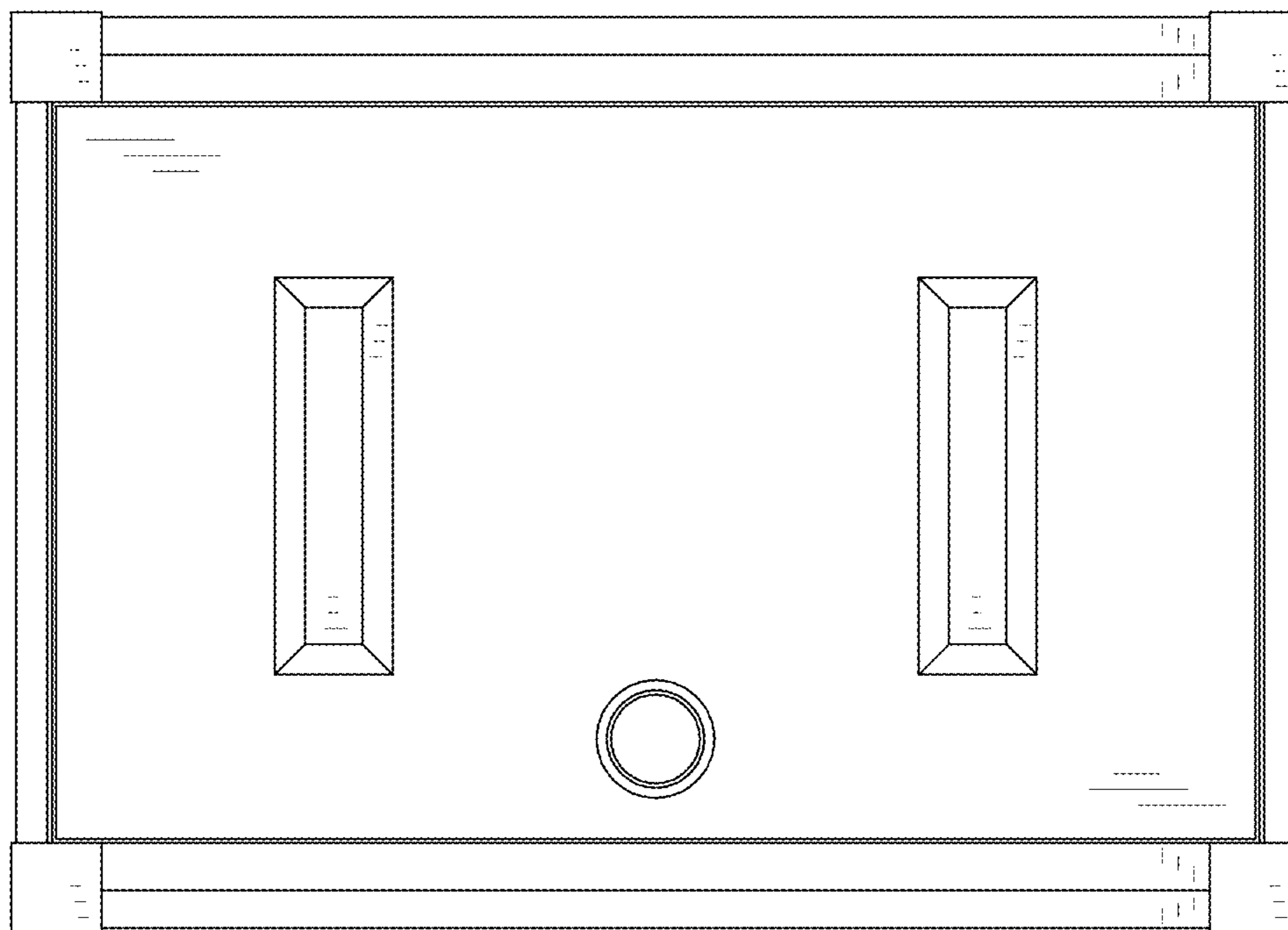


FIG. 4

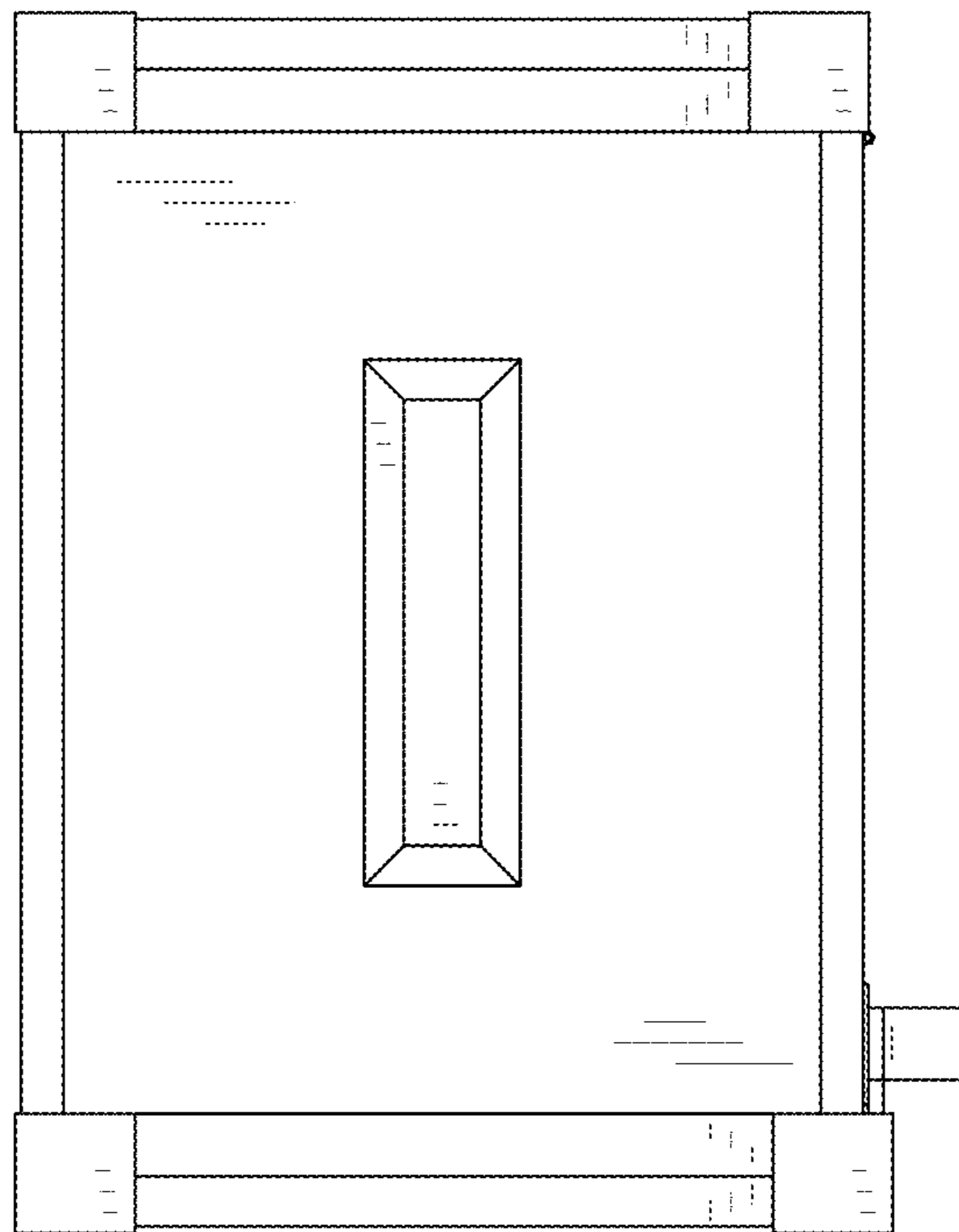


FIG. 5

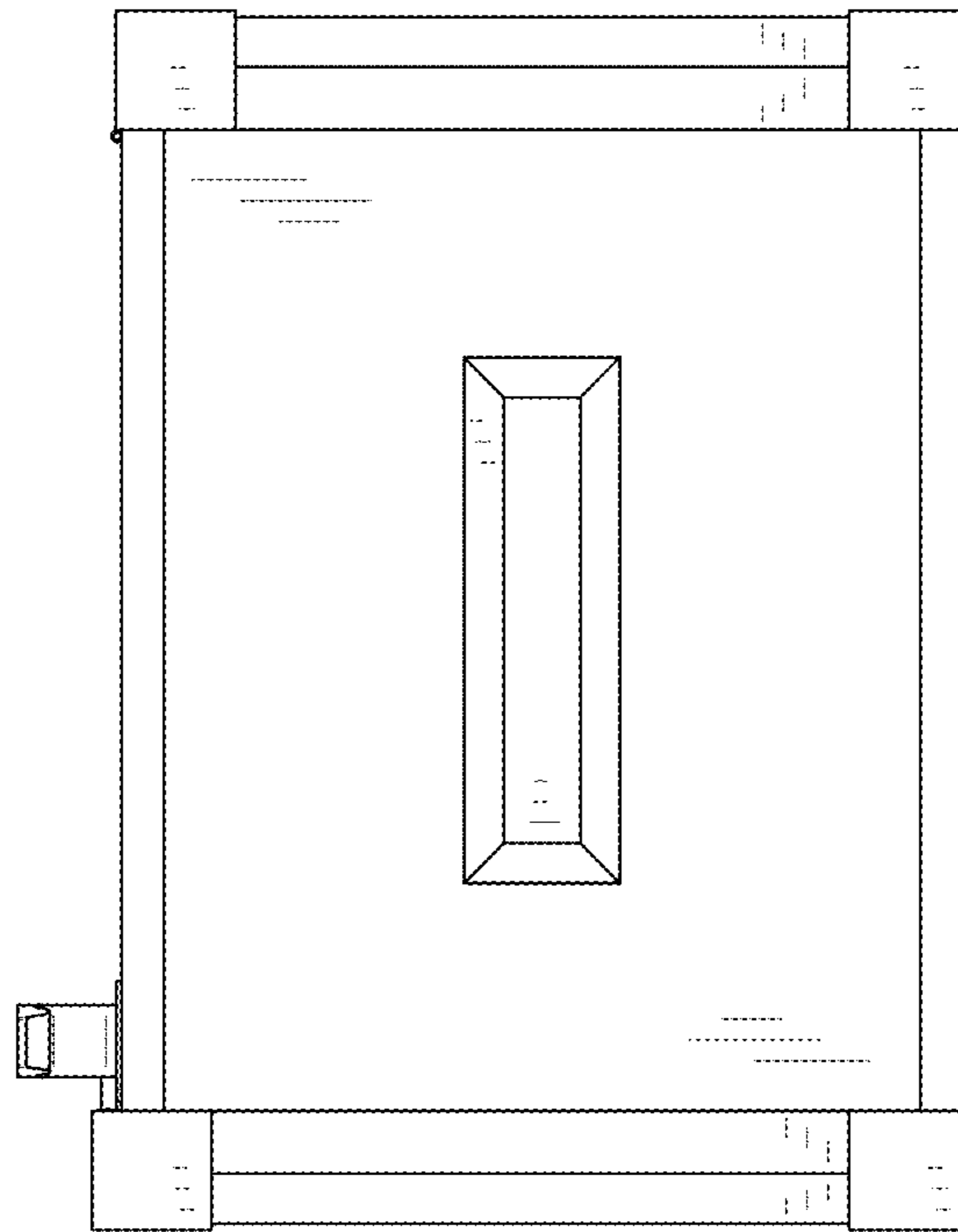


FIG. 6

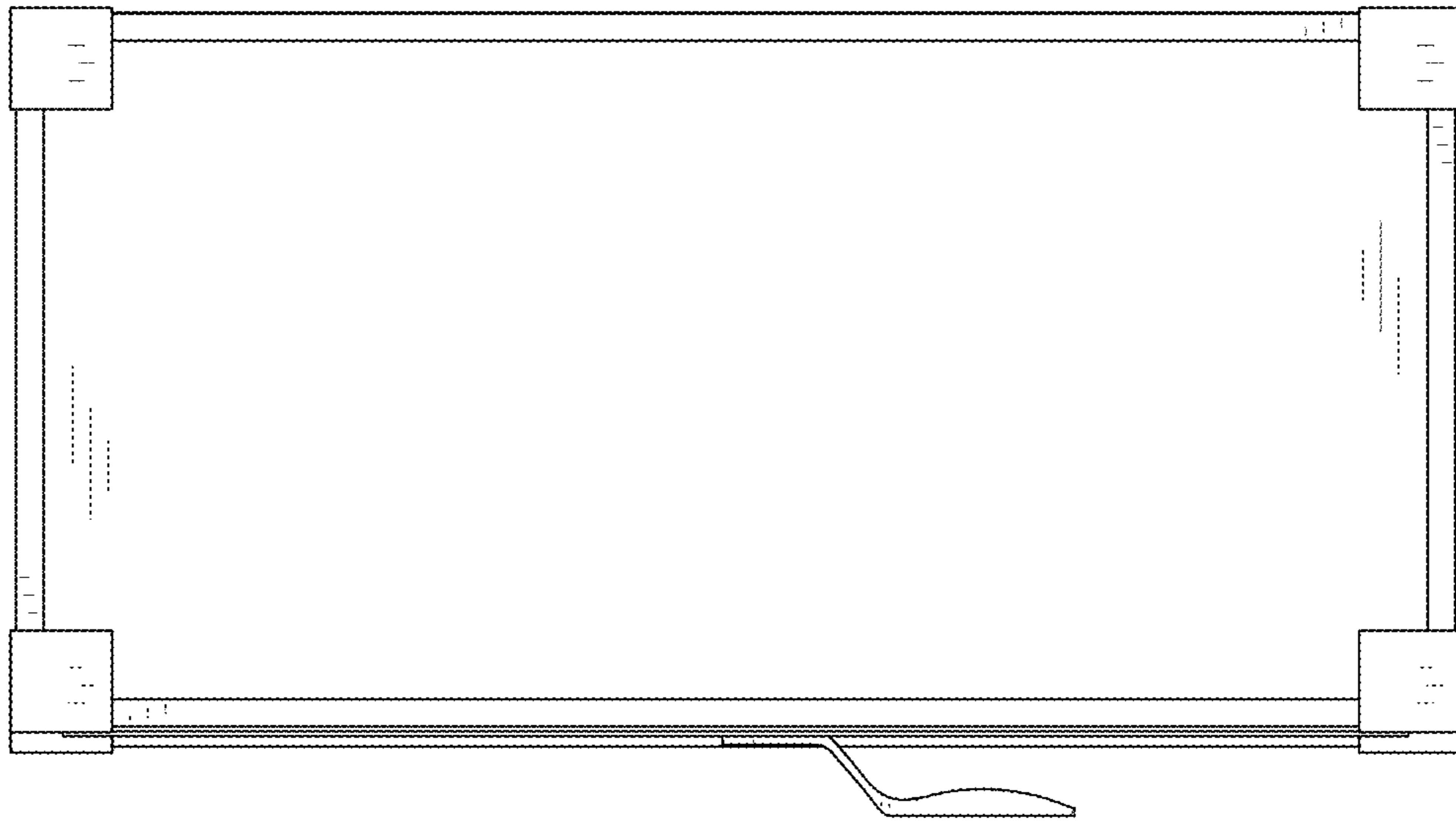


FIG. 7

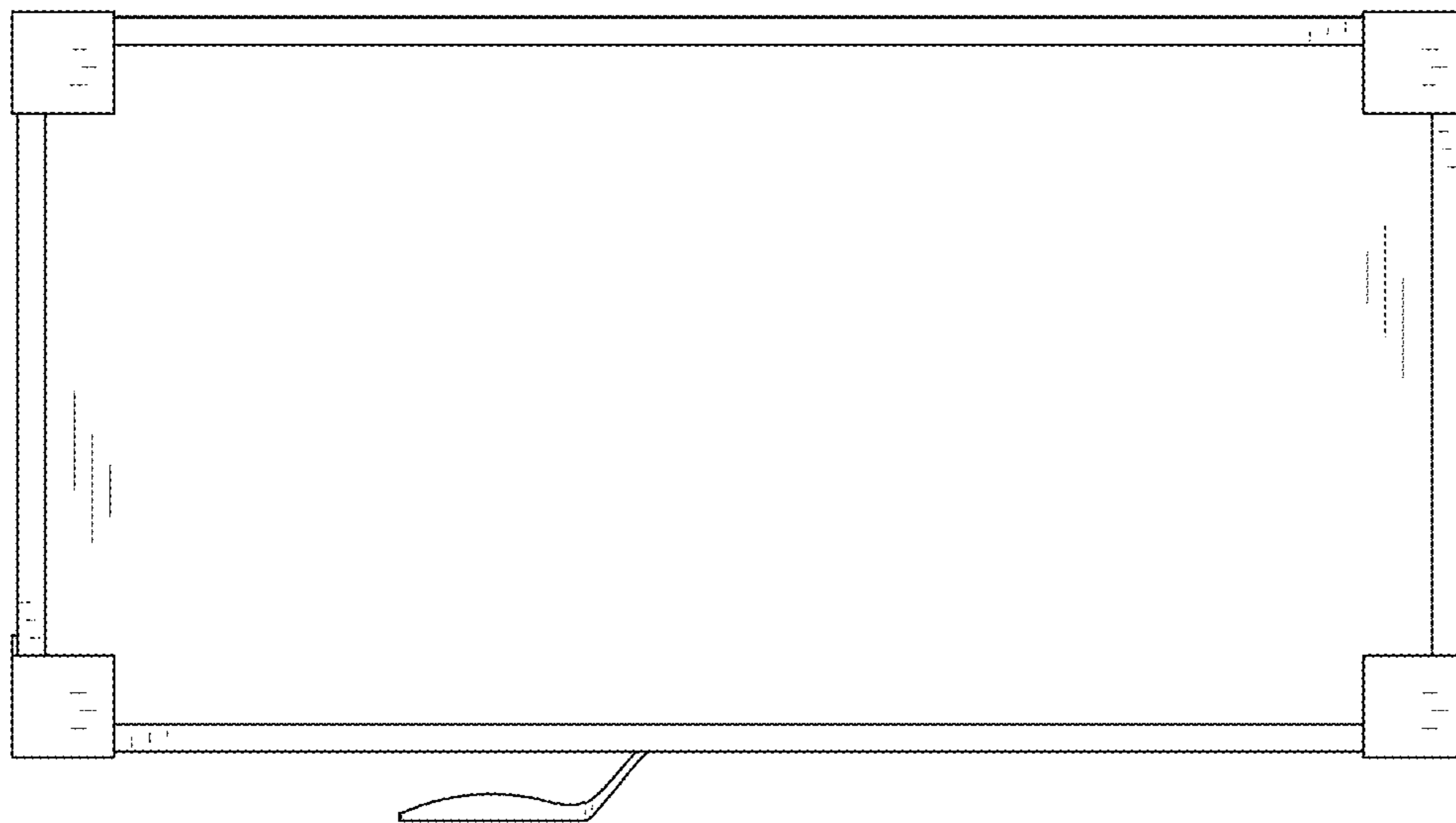


FIG. 8