



US00D823616S

(12) **United States Design Patent** (10) **Patent No.:** **US D823,616 S**
Questel (45) **Date of Patent:** **** Jul. 24, 2018**

(54) **WALL NICHE WITH CENTERING DEVICES AND SPACERS**

2012/0200211 A1* 8/2012 Yanni A47B 67/00
312/242

(71) Applicant: **Questech Corporation**, Rutland, VT (US)

* cited by examiner

(72) Inventor: **Roger Questel**, Arlington, VT (US)

Primary Examiner — Wan Laymon

(73) Assignee: **Questech Corporation**, Rutland, VT (US)

Assistant Examiner — Mark Booker

(74) *Attorney, Agent, or Firm* — Pierce Atwood LLP; Kevin M. Farrell; David J. Wilson

(**) Term: **15 Years**

(57) **CLAIM**

The ornamental design for a wall niche with centering devices and spacers, as shown and described.

(21) Appl. No.: **29/603,466**

DESCRIPTION

(22) Filed: **May 10, 2017**

(51) **LOC (11) Cl.** **06-04**

(52) **U.S. Cl.**
USPC **D6/553**

(58) **Field of Classification Search**
USPC D6/533, 329, 396, 568, 559–561;
D19/75–86; 206/320, 823; 312/209,
312/224–225, 234, 242, 245
CPC A44C 25/00; A44C 17/043; A45C
2013/1015; A45C 11/16; A45C 13/005;
F16B 45/02; F16B 45/06; A47F 7/02;
A47F 5/0807; A47F 5/132; A47F 7/022
See application file for complete search history.

FIG. 1 is a top perspective view of a wall niche with centering devices and spacers;
FIG. 2 is an enlargement of a centering device of the wall niche of FIG. 1;
FIG. 3 is an enlargement of a spacing device of the wall niche of FIG. 1;
FIG. 4 is a top view of the wall niche;
FIG. 5 is an enlargement of a spacer of the wall niche of FIG. 4;
FIG. 6 is a view of the right hand of the wall niche;
FIG. 7 is an enlargement of a centering device of FIG. 6;
FIG. 8 is a front view of the wall niche;
FIG. 9 is a bottom view of the wall niche;
FIG. 10 is a back view of the wall niche; and,
FIG. 11 is a left hand view of the wall niche.

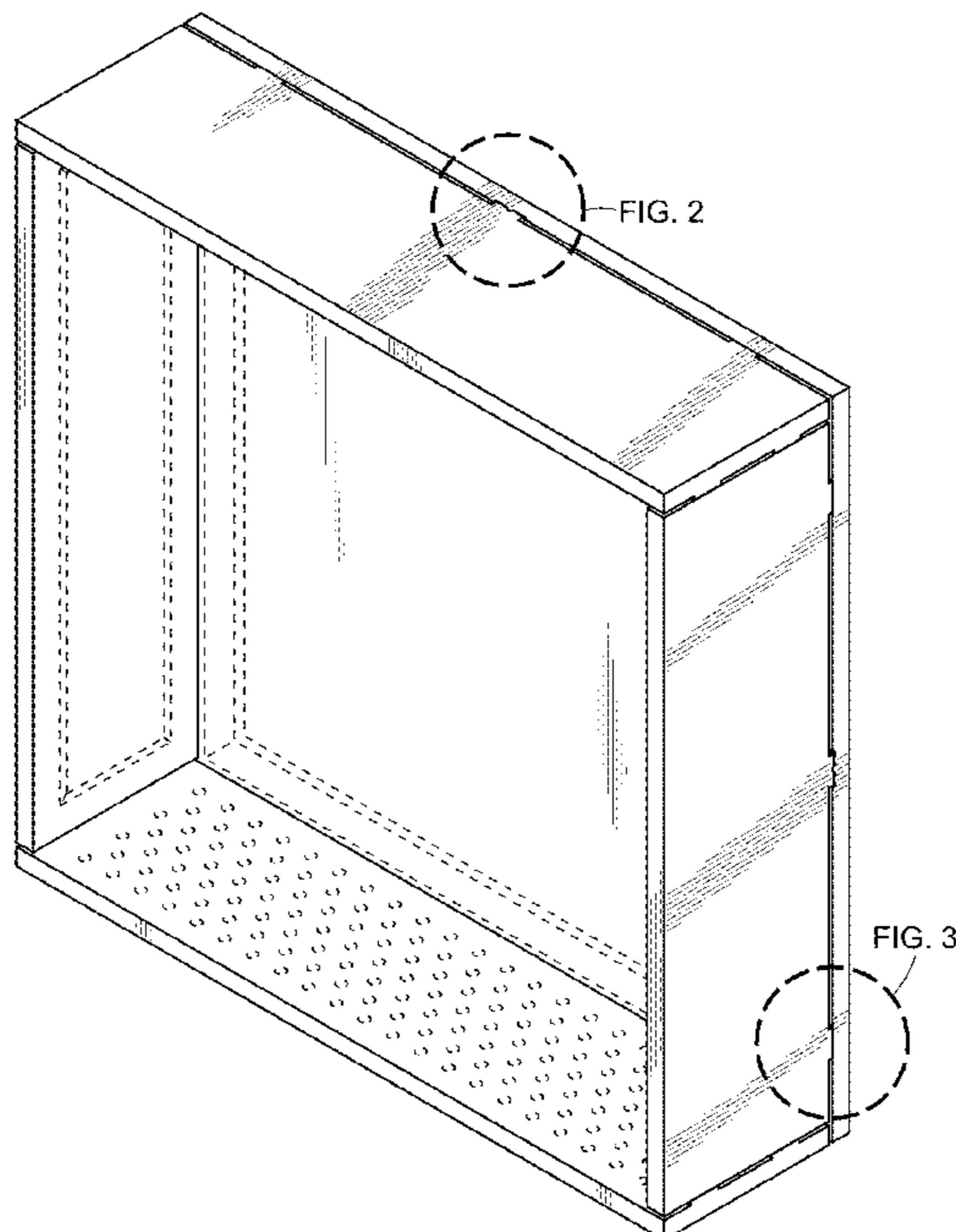
The broken lines shown in the figures represent portions of the wall niche with centering devices and spacers that form no part of the claimed design. The broken lines forming a circle shown in FIGS. 1-7 represent an outline that does not form part of the claimed design.

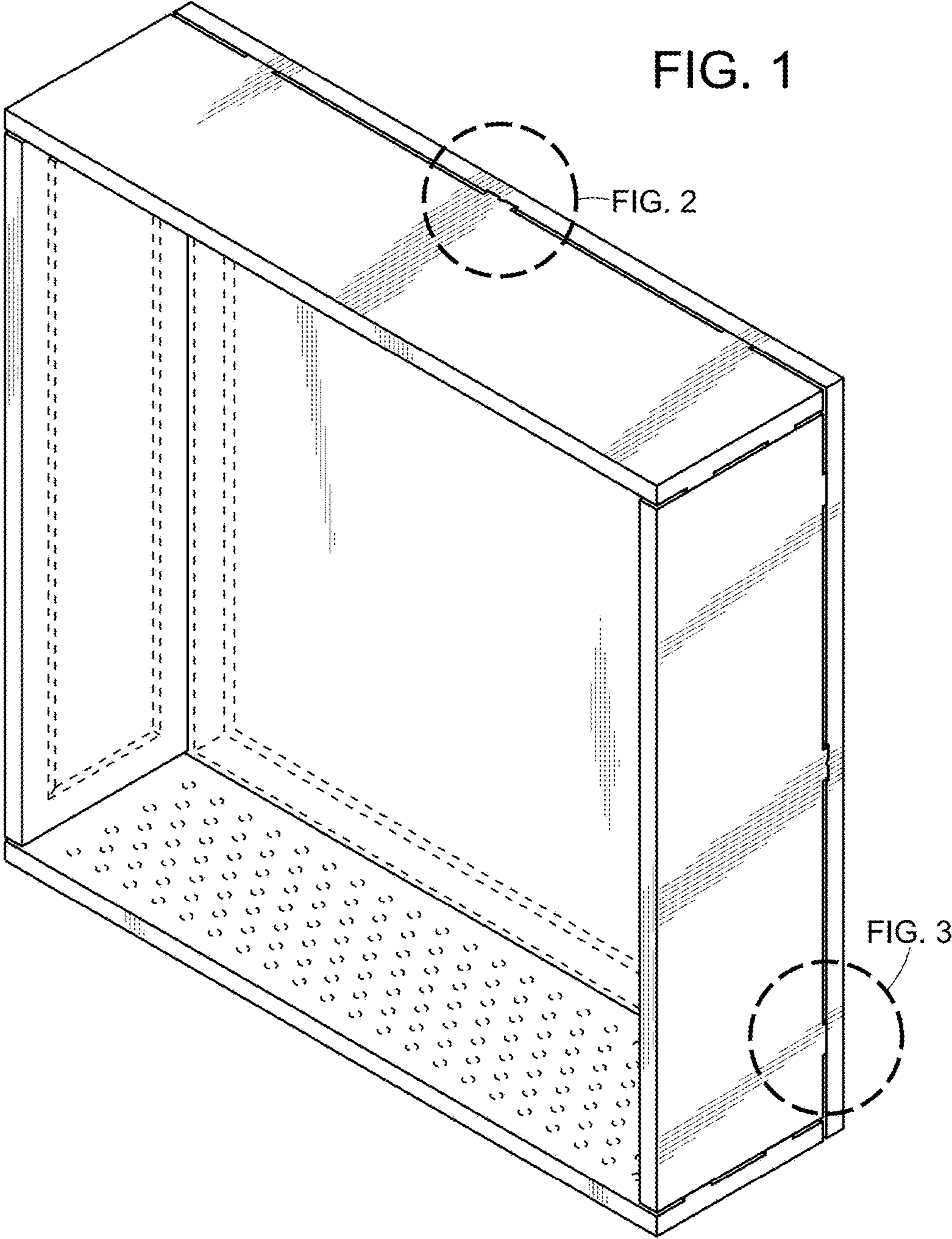
(56) **References Cited**

U.S. PATENT DOCUMENTS

D266,123 S * 9/1982 Alfano D6/533
D497,069 S * 10/2004 Aisley D6/559
2007/0013279 A1* 1/2007 MacMillan A47B 67/02
312/242
2012/0146470 A1* 6/2012 Katz E05D 5/023
312/225

1 Claim, 6 Drawing Sheets





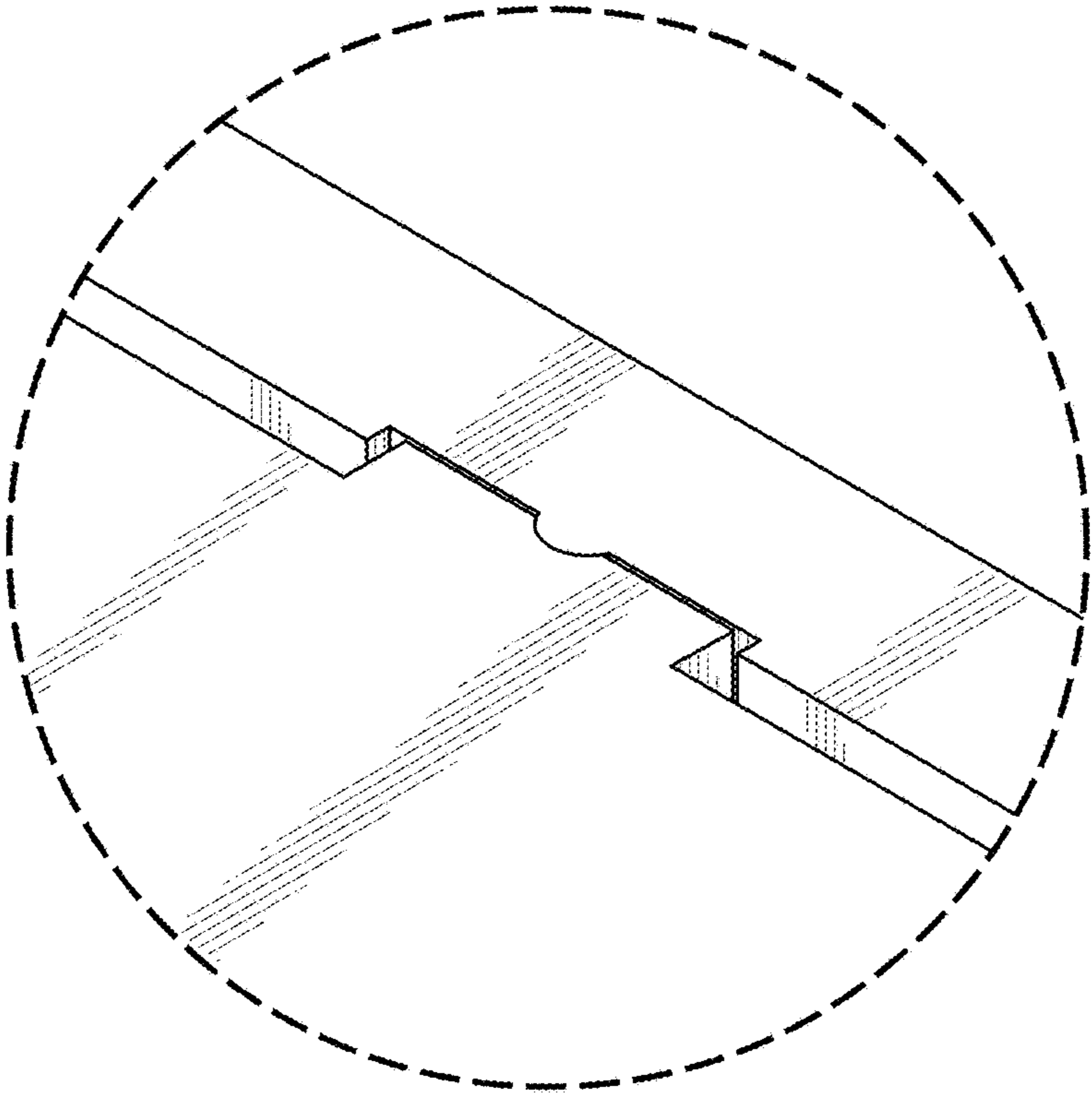


FIG. 2

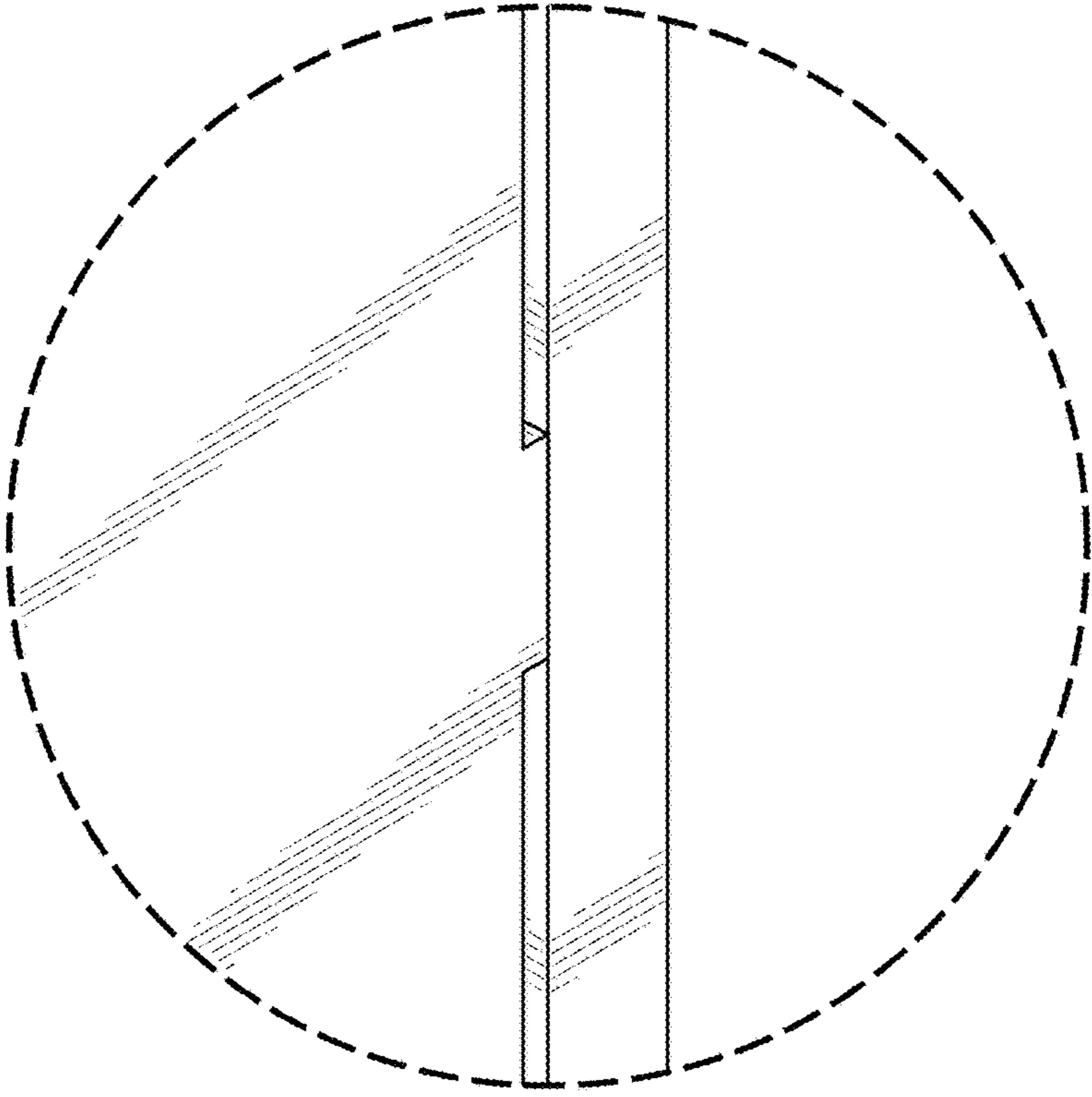


FIG. 3

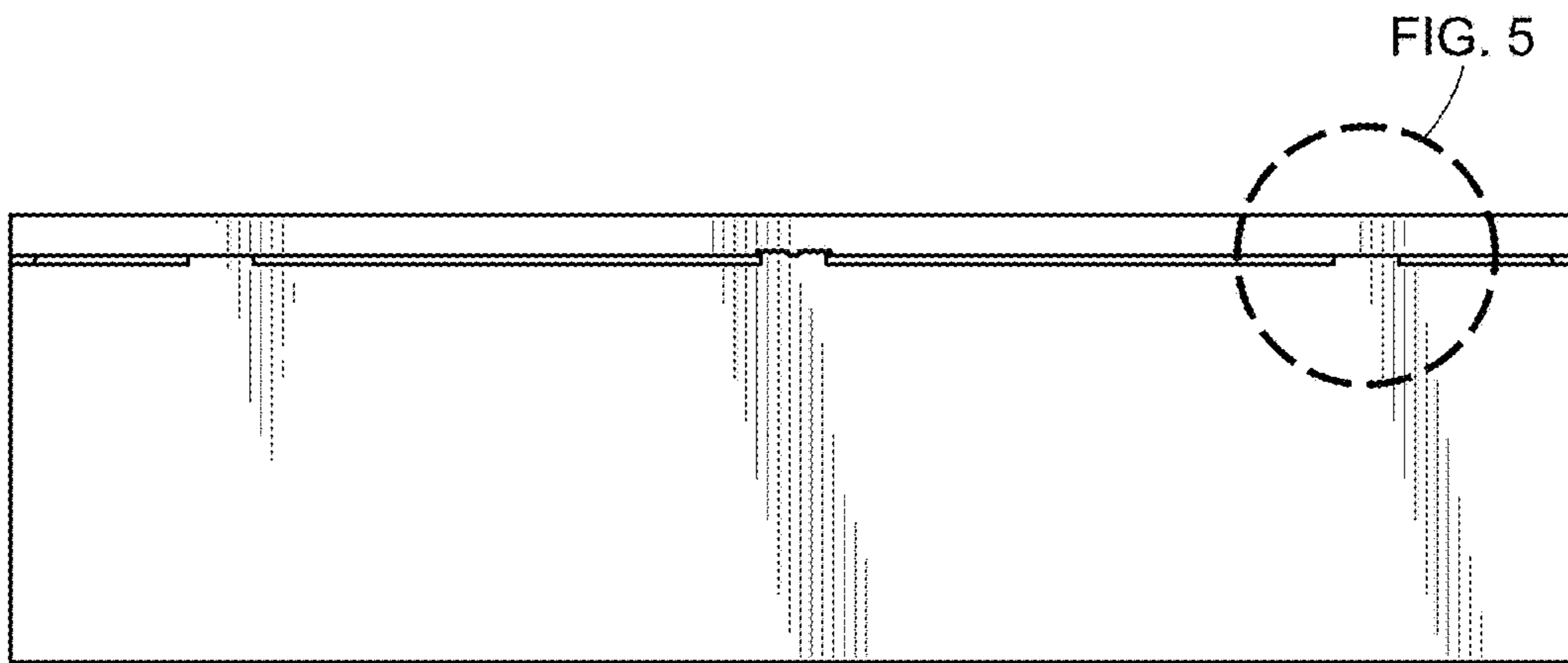


FIG. 4

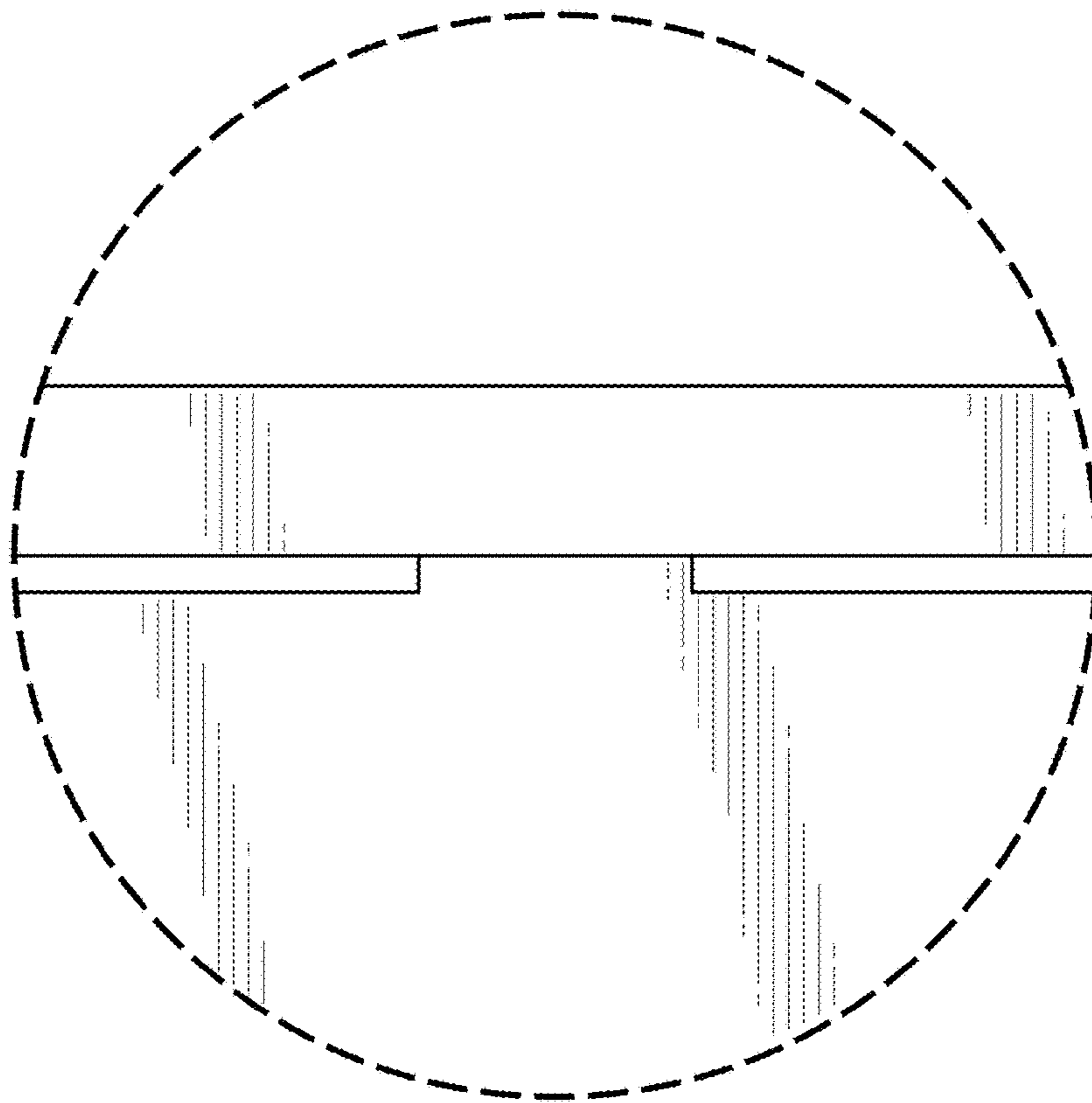


FIG. 5

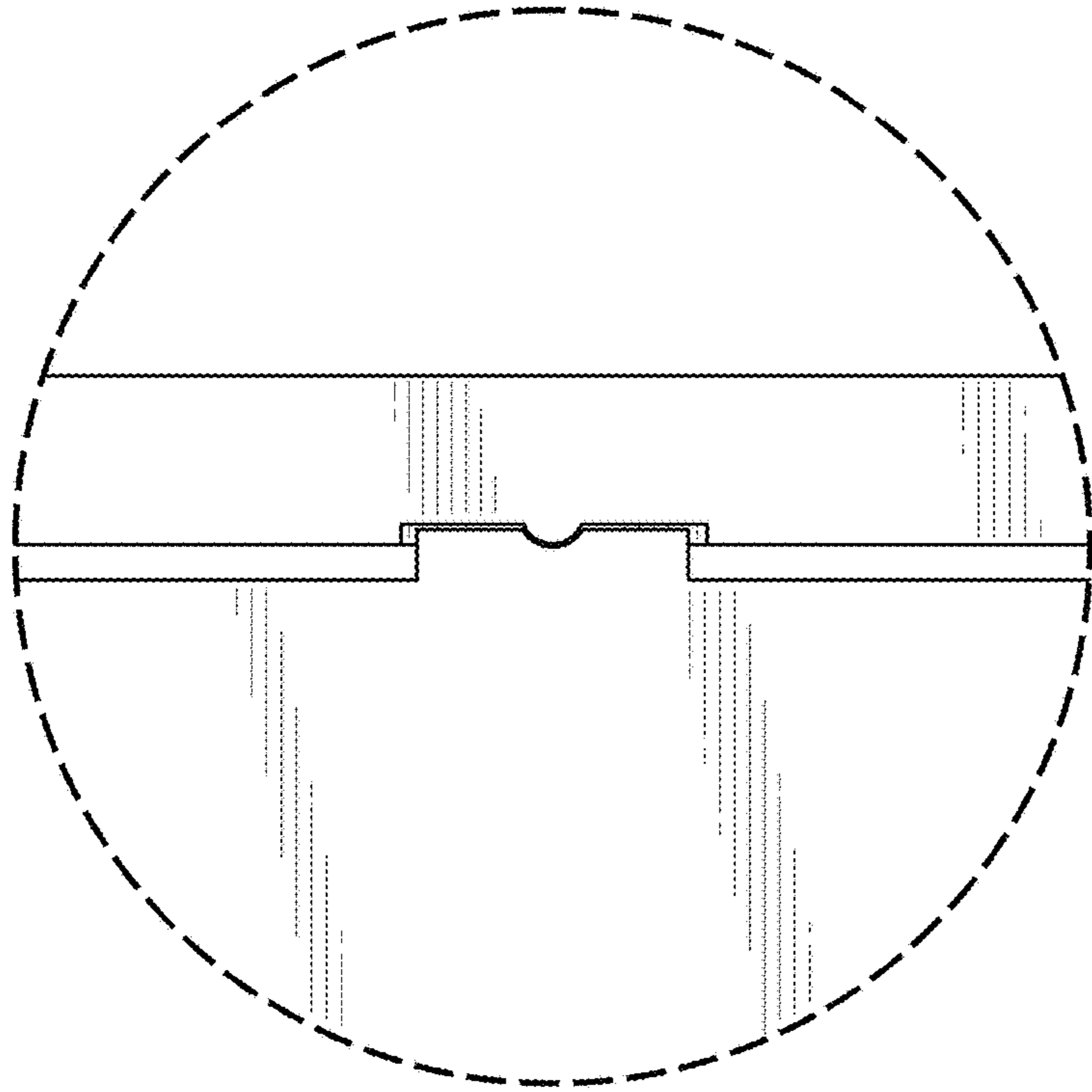


FIG. 7

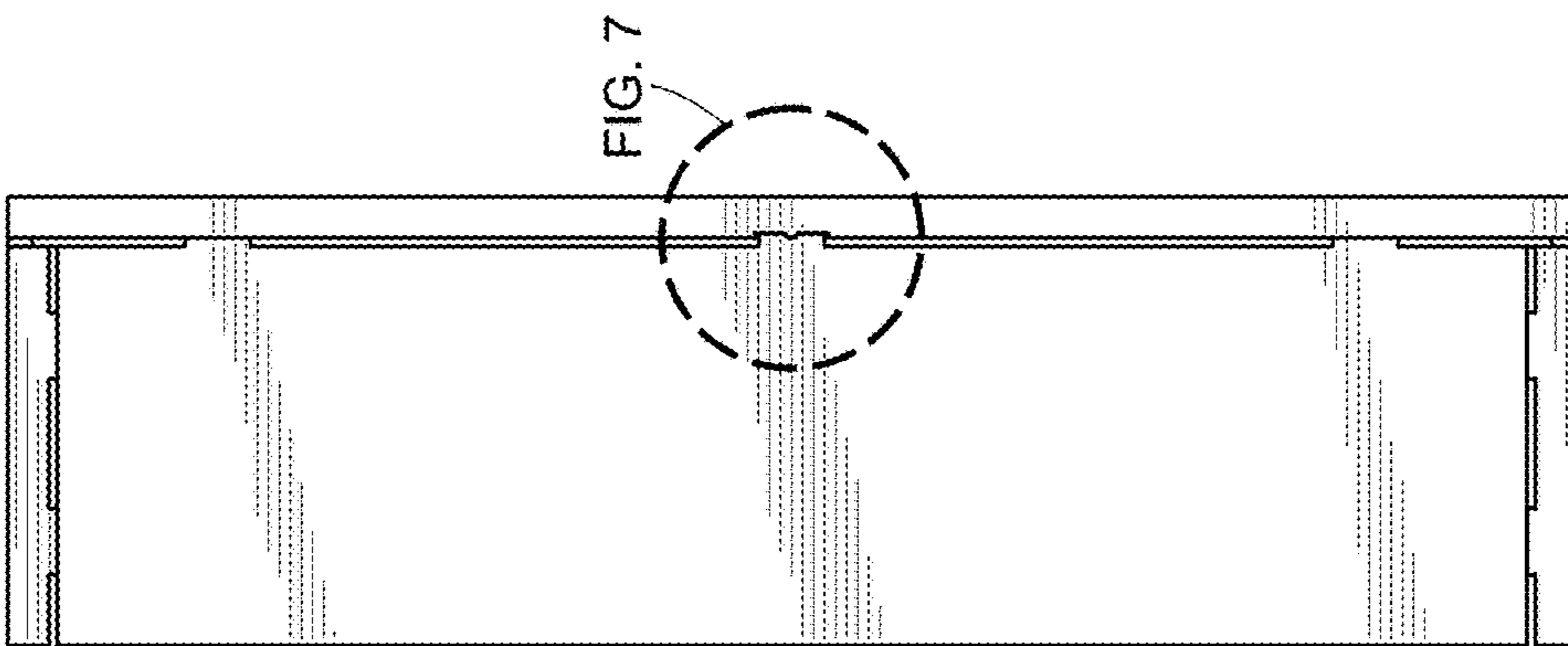


FIG. 7

FIG. 6

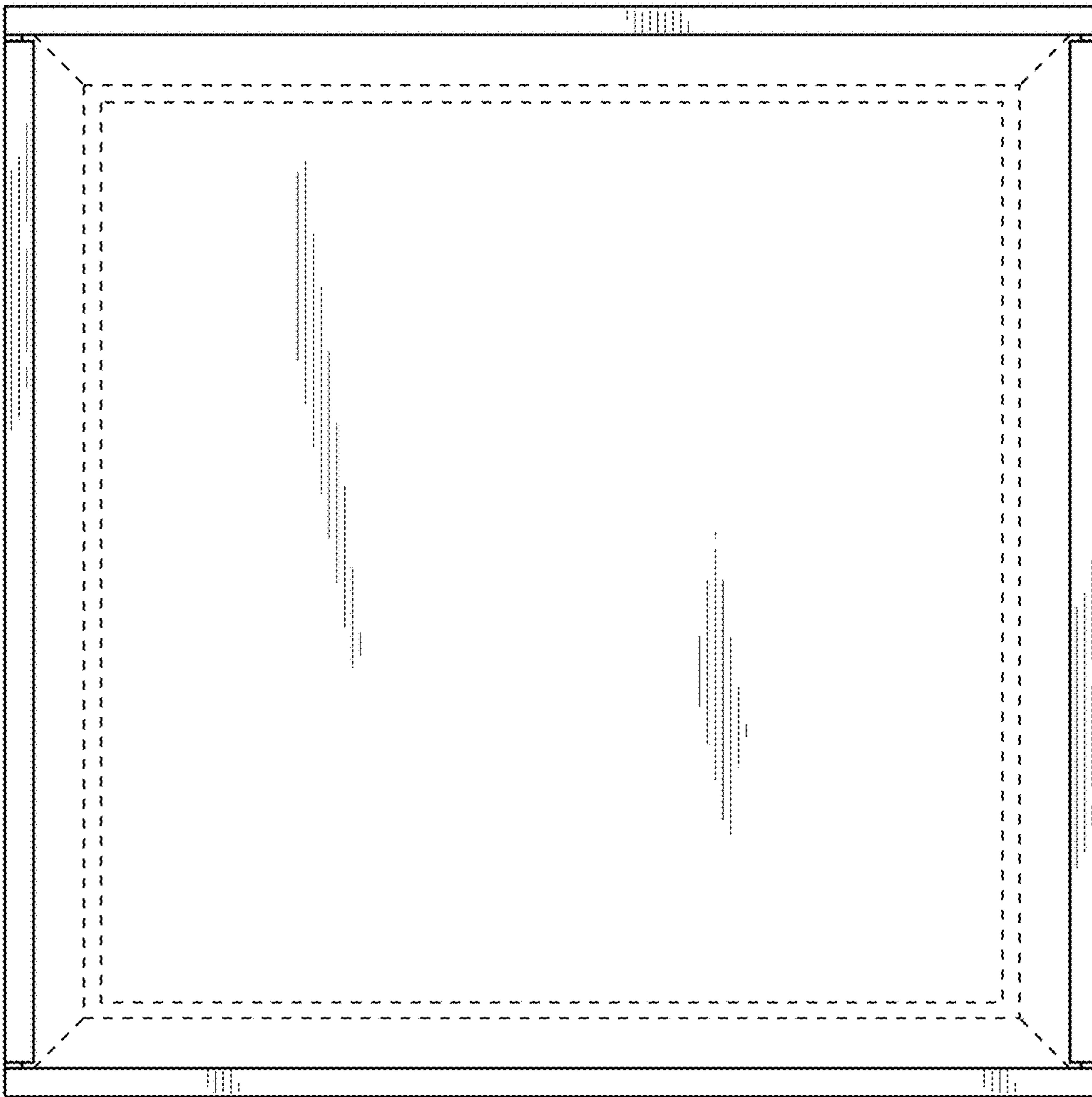


FIG. 8

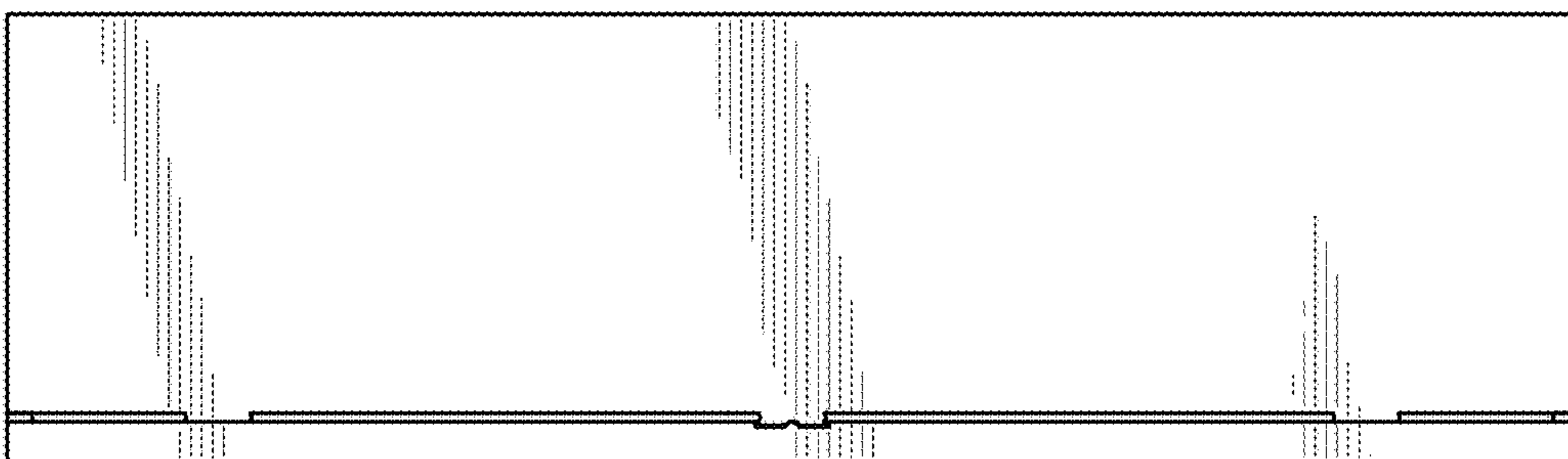


FIG. 9

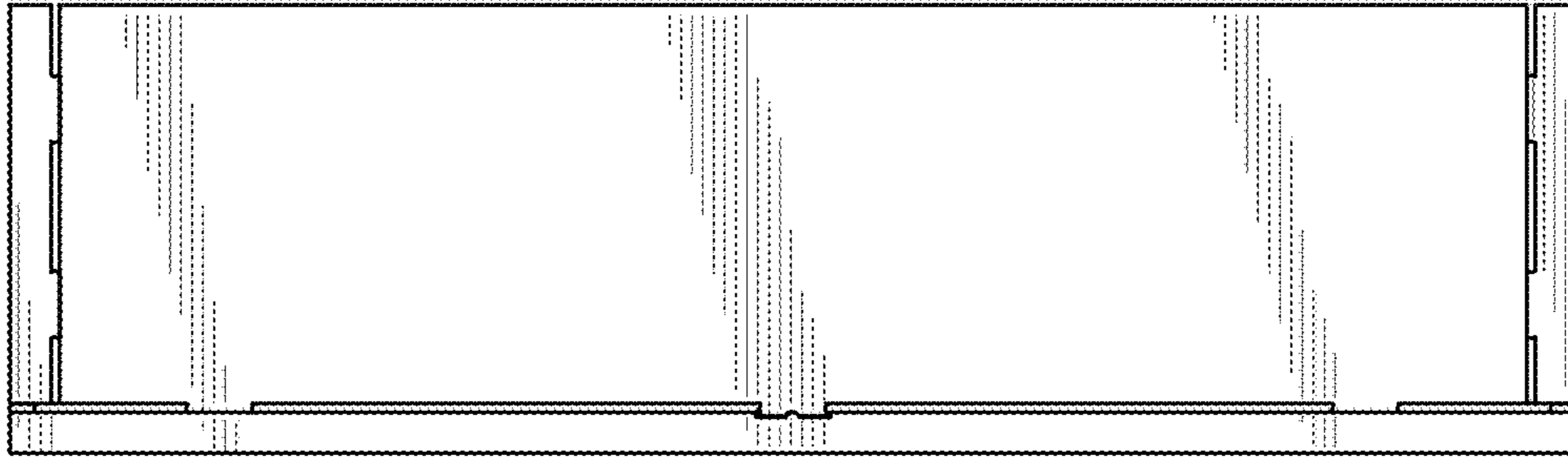


FIG. 11

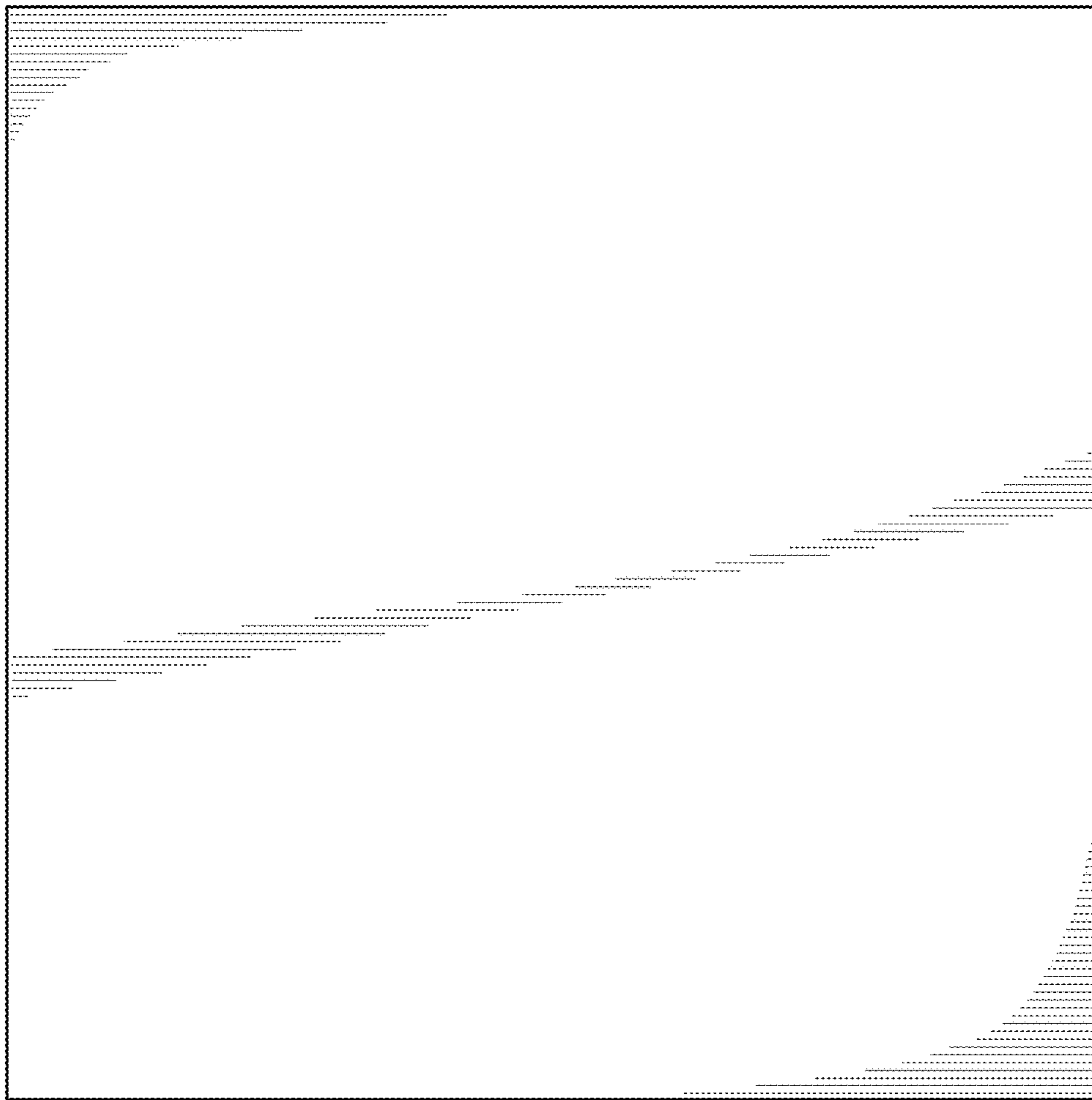


FIG. 10