



US00D823615S

(12) **United States Design Patent**  
**Drew**

(10) **Patent No.:** **US D823,615 S**  
(45) **Date of Patent:** **\*\* Jul. 24, 2018**

(54) **BALL HOLDER**

(71) Applicant: **Delta Cycle Corporation**, Randolph, MA (US)

(72) Inventor: **Errol Drew**, Los Gatos, CA (US)

(73) Assignee: **Delta Cycle Corporation**, Randolph, MA (US)

(\*\*) Term: **15 Years**

(21) Appl. No.: **29/619,566**

(22) Filed: **Sep. 29, 2017**

(51) **LOC (11) Cl.** ..... **03-01**

(52) **U.S. Cl.**  
USPC ..... **D6/552**

(58) **Field of Classification Search**  
USPC ..... D6/552, 553; D3/215, 221, 254, 257;  
D21/715, 721, 789, 796; 206/315.9;  
211/14, 85.7, 68, 106; 224/247, 248,  
224/666-667, 919; 294/19.2; 473/286  
CPC ..... A63B 47/00; A63B 47/001; A63B 57/20;  
A63B 55/20; A63B 69/0002; A63B  
2102/02; A63B 2102/32; A63B  
2243/0037; Y10S 224/919

See application file for complete search history.

(56) **References Cited**

**U.S. PATENT DOCUMENTS**

3,768,709 A \* 10/1973 Kinard ..... A63B 47/001  
224/248  
4,065,040 A 12/1977 Steere  
D363,520 S 10/1995 Melillo  
D370,340 S \* 6/1996 Berger ..... D3/221  
D419,632 S \* 1/2000 Ashcroft ..... D21/796  
D532,197 S 11/2006 Niksich

7,207,446 B1 4/2007 Boston  
D554,855 S \* 11/2007 Kershaw ..... D3/221  
D571,138 S \* 6/2008 Riley ..... D6/552  
7,500,570 B2 3/2009 Kurcheski  
D711,644 S \* 8/2014 Leach ..... D3/257

\* cited by examiner

*Primary Examiner* — Wan Laymon

*Assistant Examiner* — Mark Booker

(74) *Attorney, Agent, or Firm* — Iandiorio Teska & Coleman, LLP

(57) **CLAIM**

The ornamental design for a ball holder, as shown and described.

**DESCRIPTION**

FIG. 1 is a front perspective view of the ball holder of this invention;

FIG. 2 is a view of the left side of the ball holder of this invention shown in association with a ball illustrated in phantom outline which is not part of this invention;

FIG. 3 is a view of the right side of the ball holder of this invention shown in association with a ball illustrated in phantom outline which is not part of this invention;

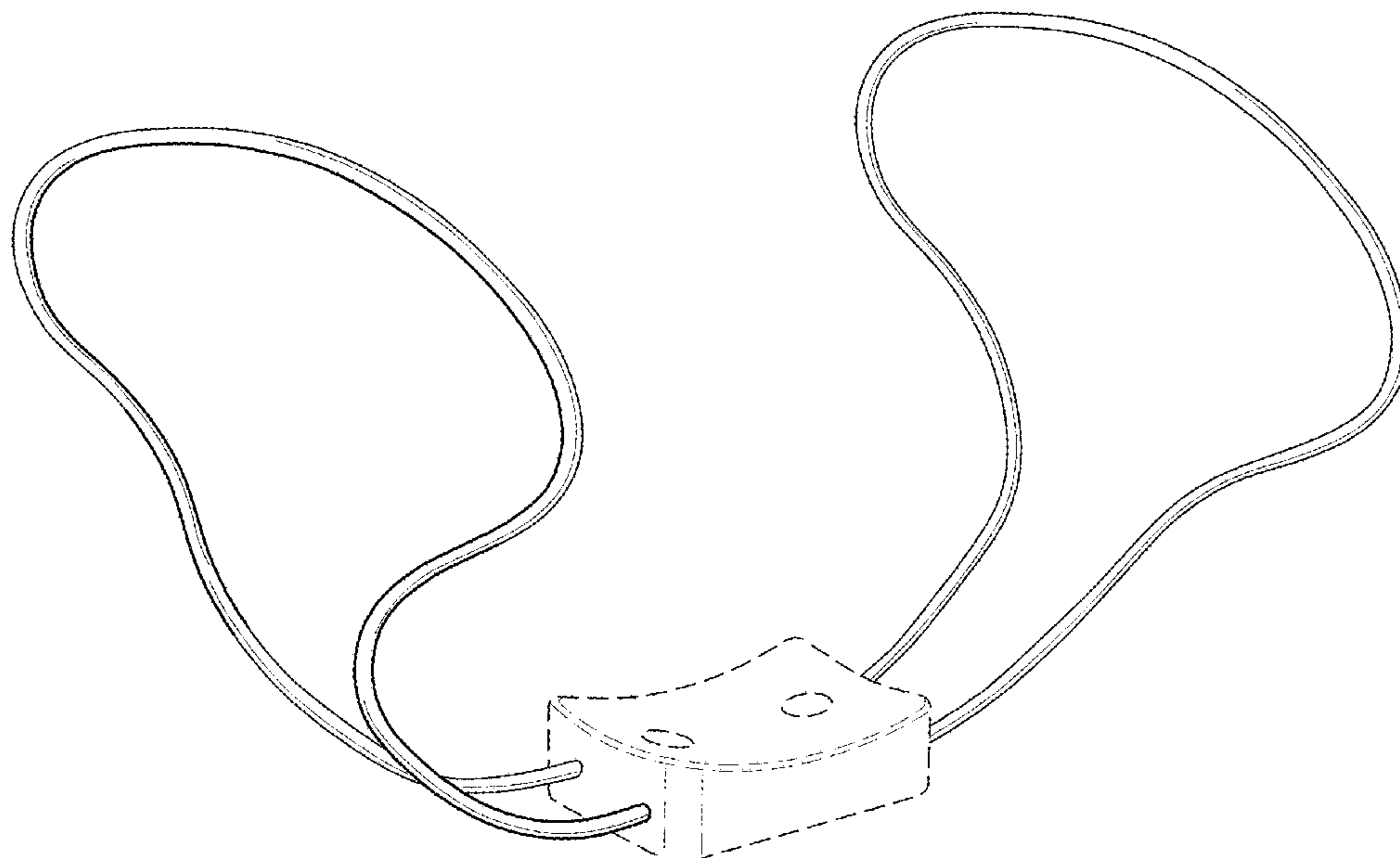
FIG. 4 is a front view of the ball holder of this invention shown in association with a ball illustrated in phantom outline which is not part of this invention;

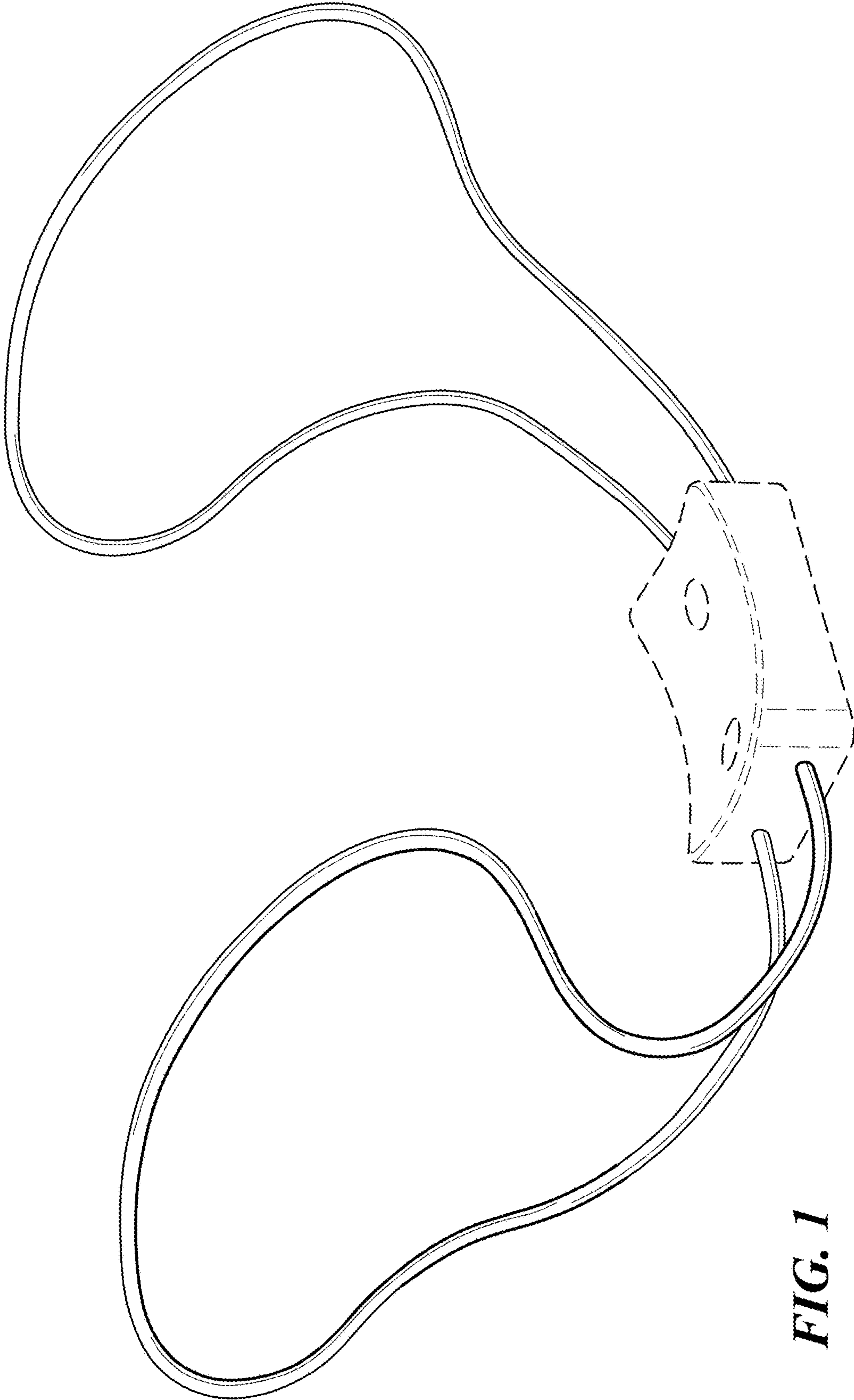
FIG. 5 is a rear view of the ball holder of this invention shown in association with a ball illustrated in phantom outline which is not part of this invention;

FIG. 6 is a top view of the ball holder of this invention; and, FIG. 7 is a bottom view of the ball holder of this invention.

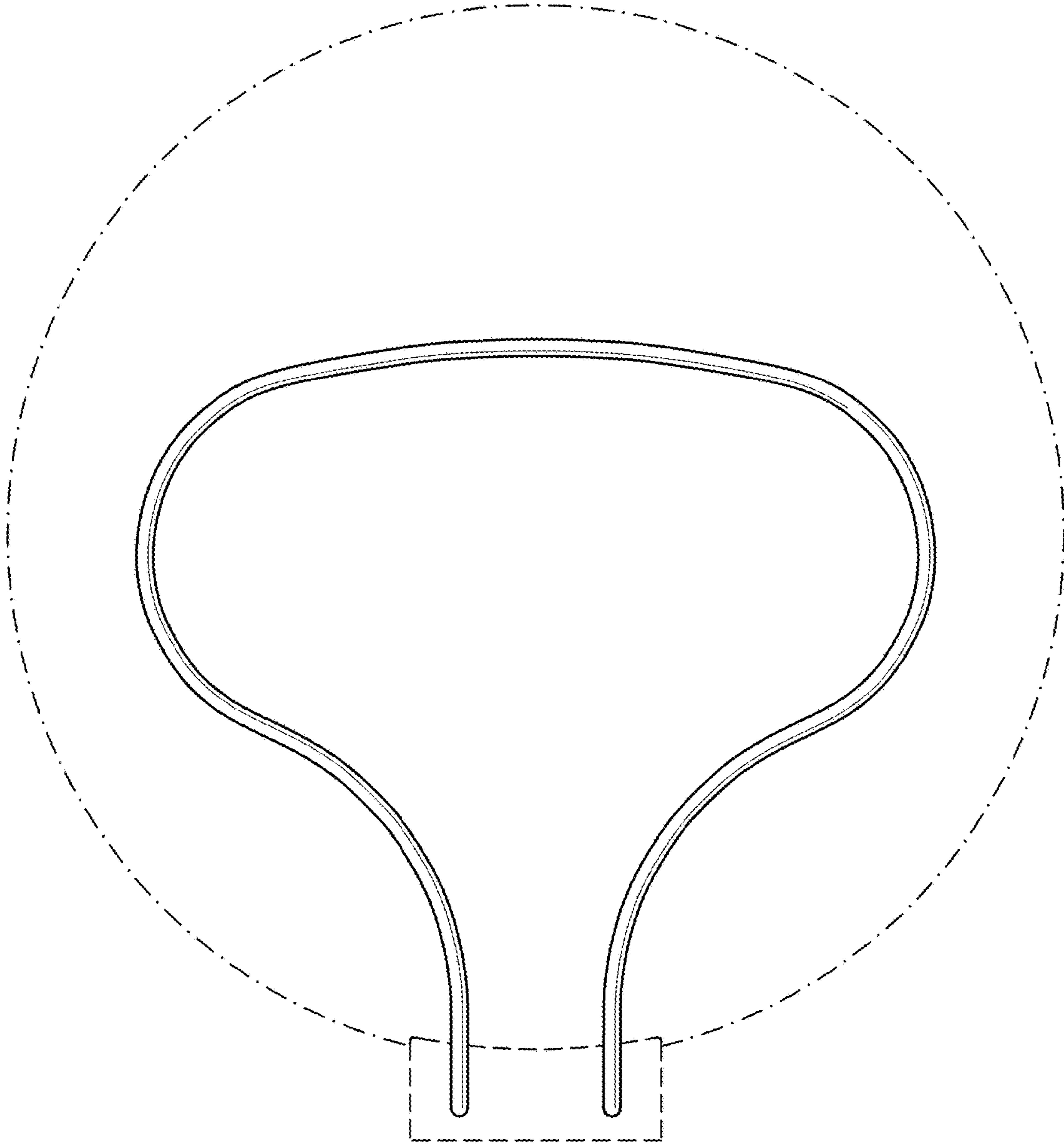
The evenly spaced broken lines shown in the figures represent portions of the ball holder that form no part of the claimed design and the dot dash broken lines show environment.

**1 Claim, 7 Drawing Sheets**

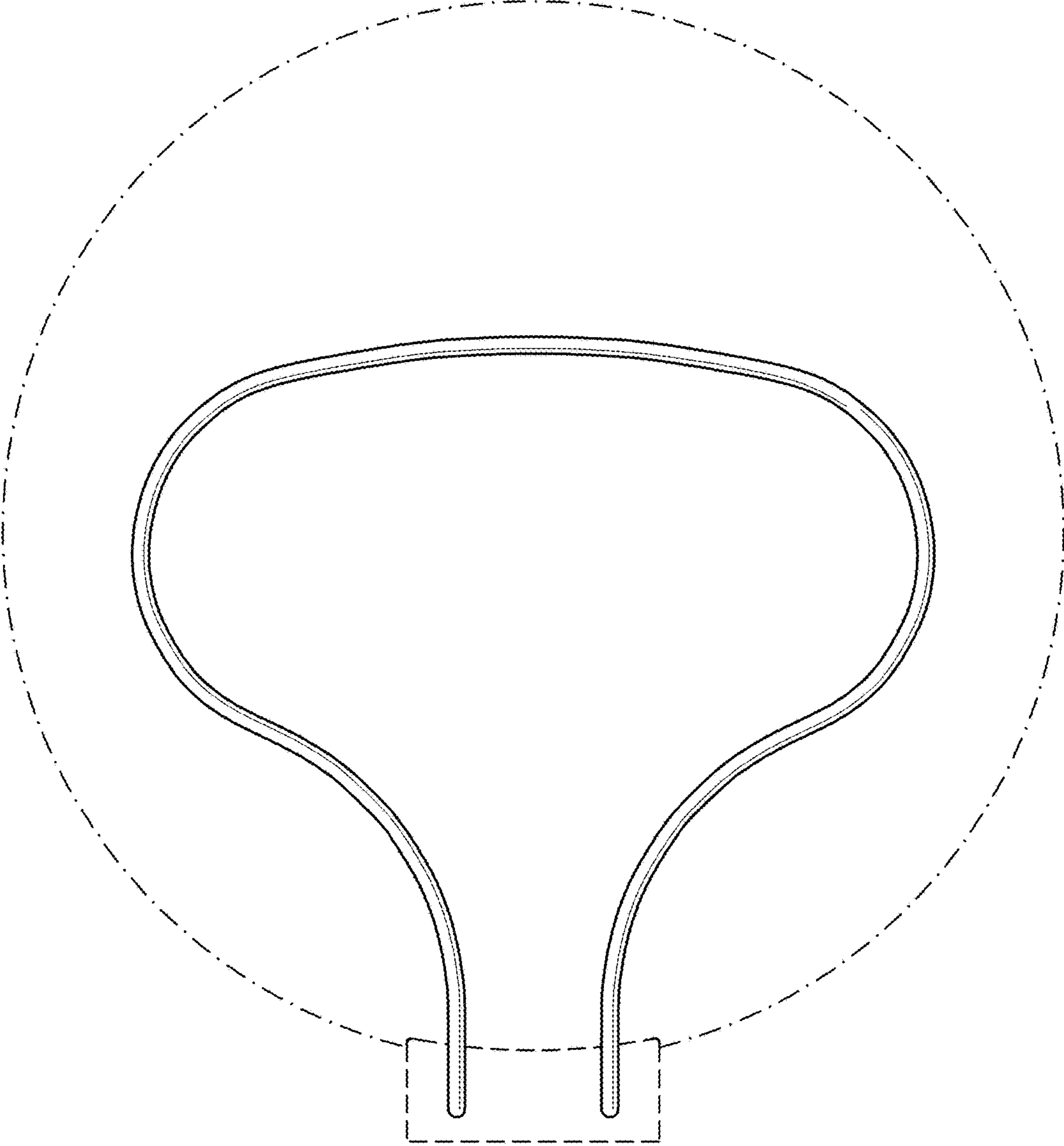




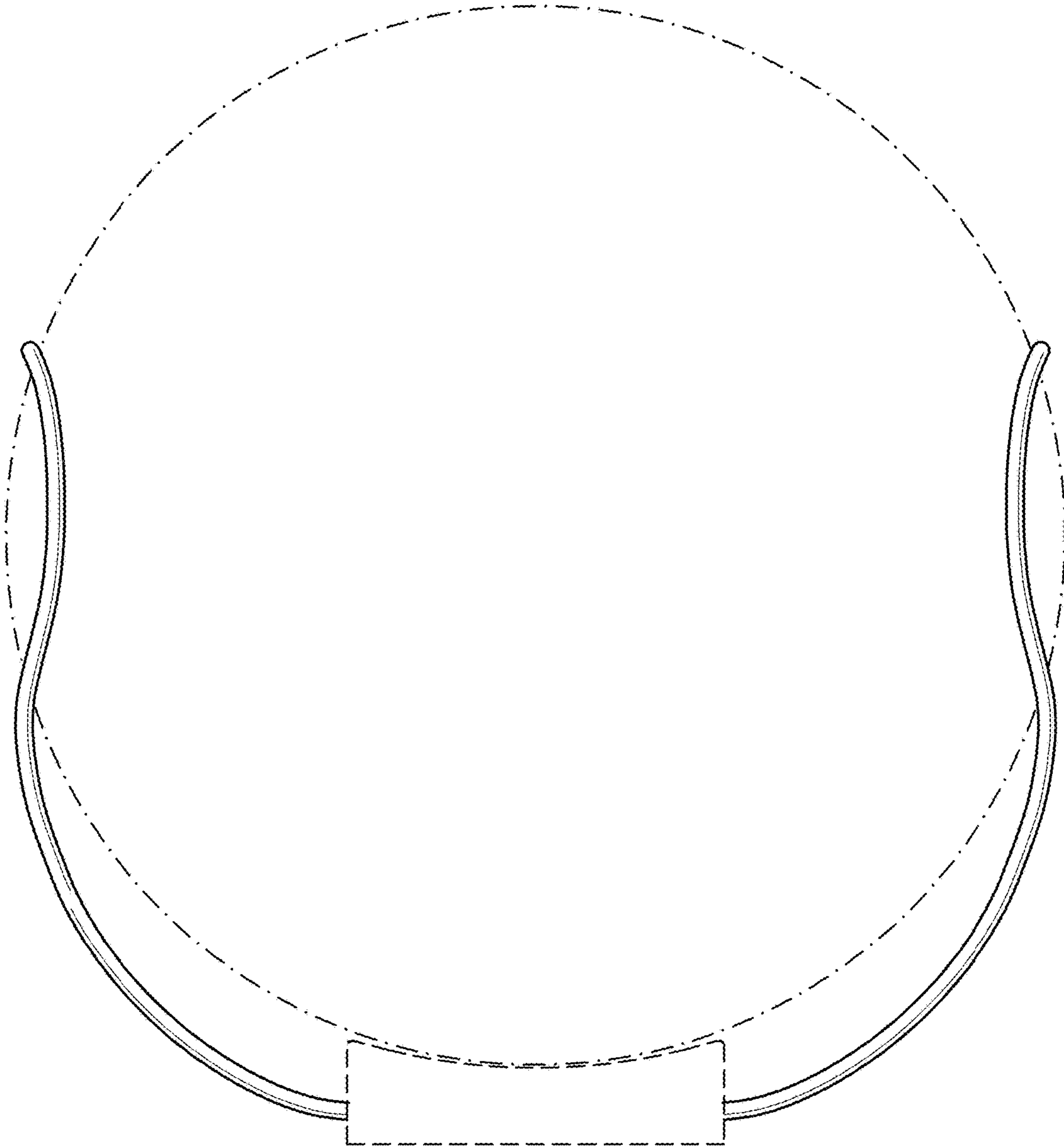
**FIG. 1**



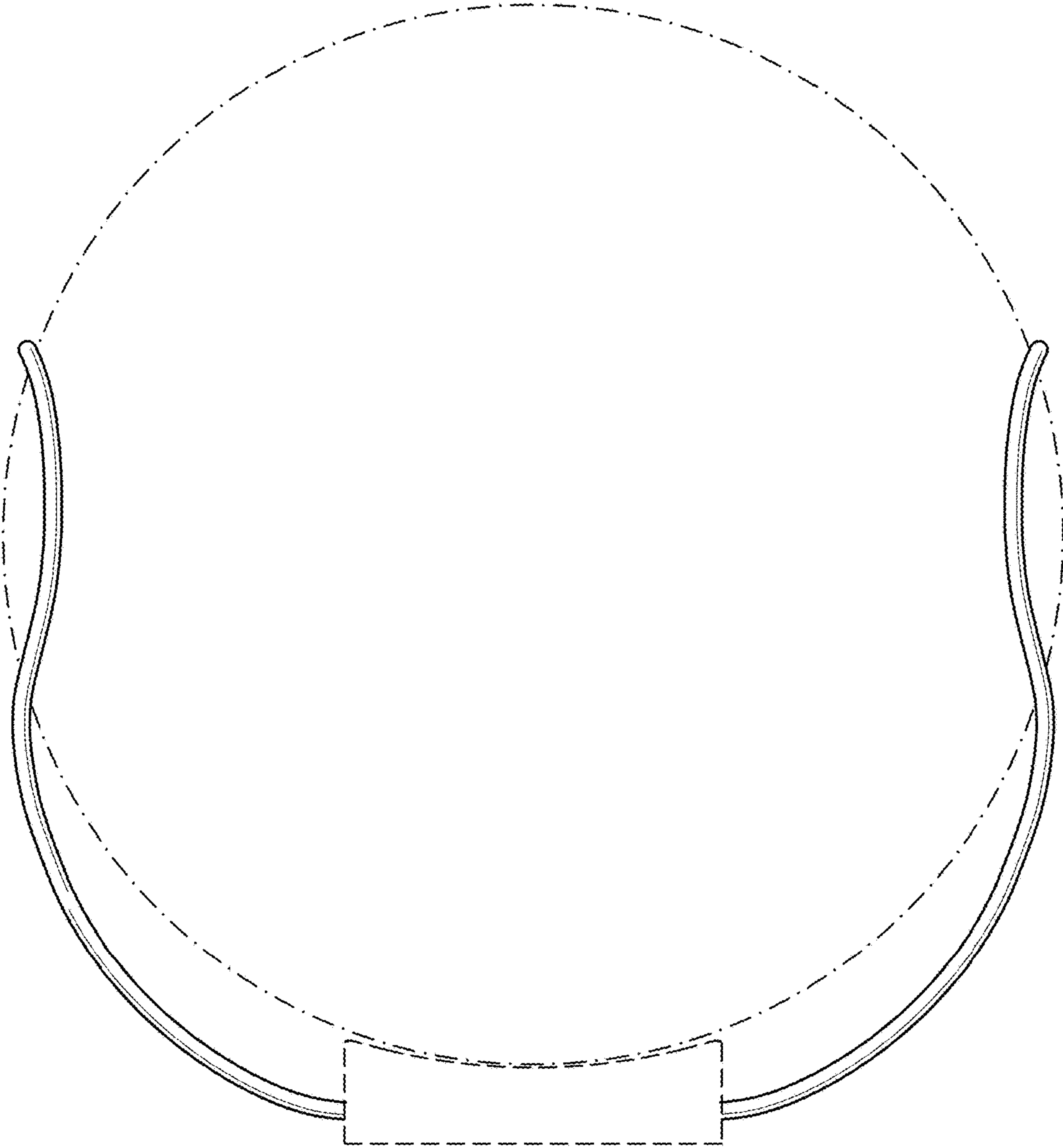
**FIG. 2**



**FIG. 3**

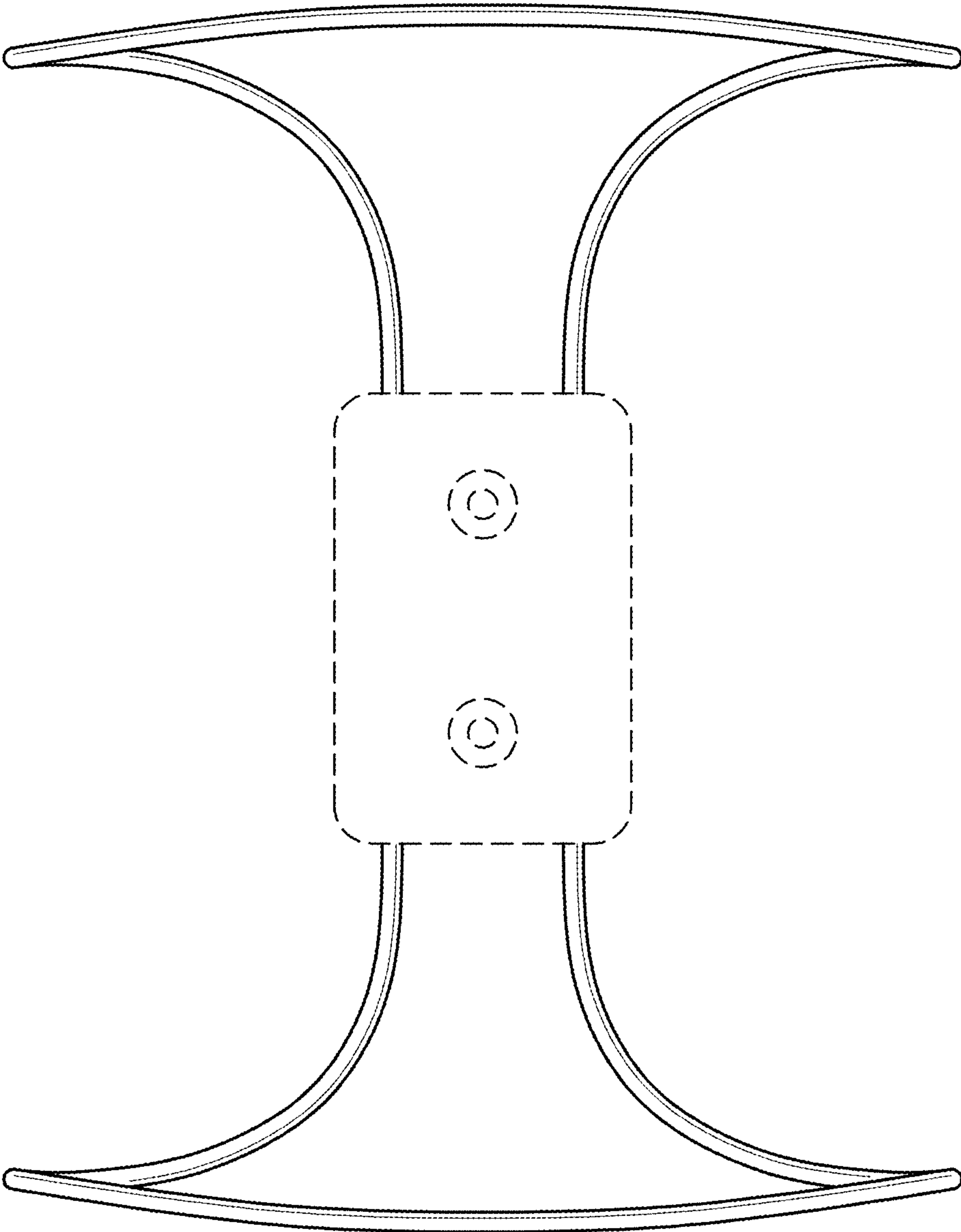


**FIG. 4**

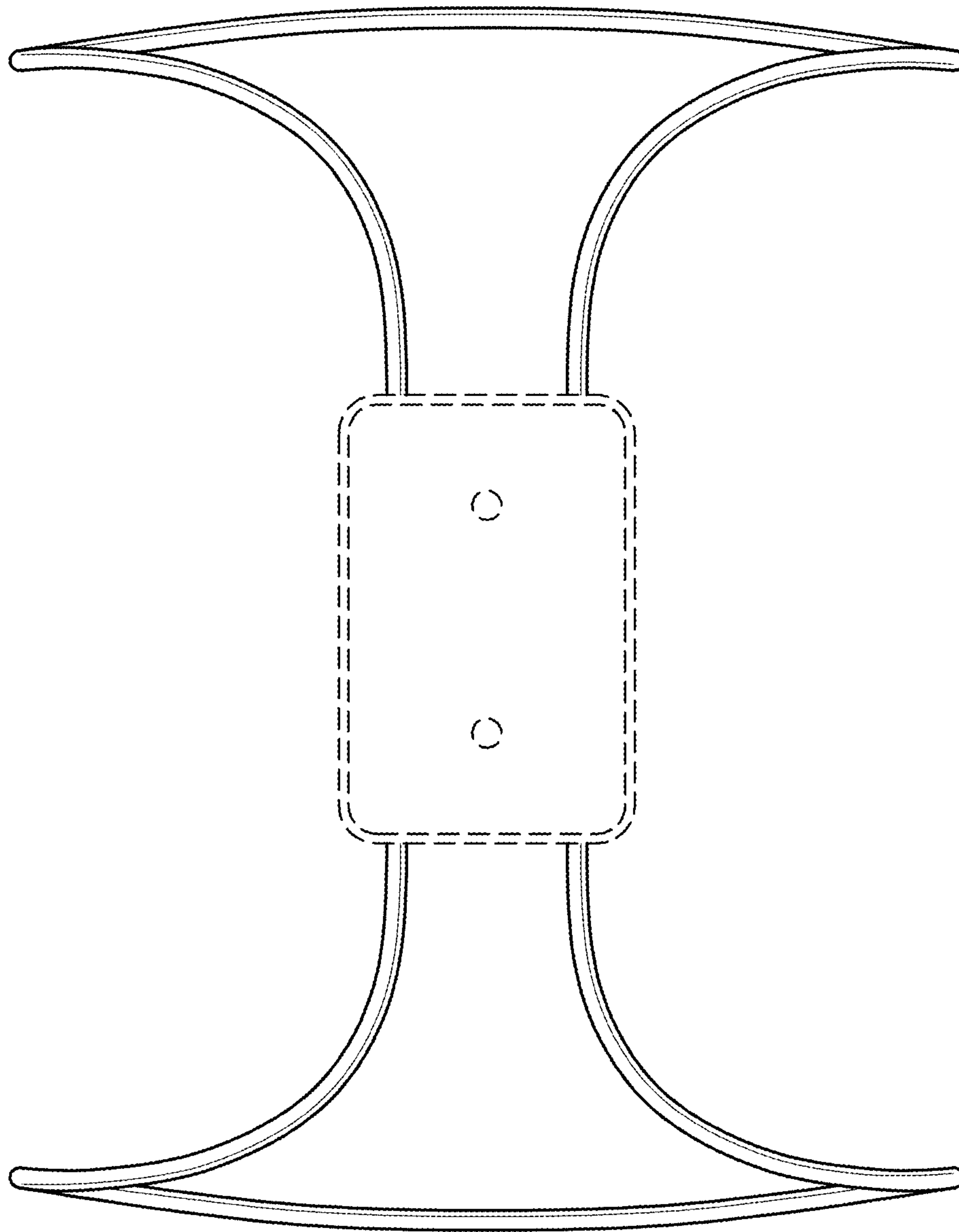


**FIG. 5**





**FIG. 6**



**FIG. 7**