



US00D823614S

(12) **United States Design Patent**  
**Govers et al.**

(10) **Patent No.:** **US D823,614 S**  
(45) **Date of Patent:** **\*\* Jul. 24, 2018**

(54) **SOAP DISPENSER**

(56) **References Cited**

(71) Applicant: **RUBBERMAID COMMERCIAL PRODUCTS LLC**, Winchester, VA (US)

U.S. PATENT DOCUMENTS

D641,627 S *	7/2011	Rosenauer .....	D9/435
D665,610 S *	8/2012	Kanfer .....	D6/542
D668,492 S *	10/2012	Brown .....	D6/545
D757,459 S *	5/2016	Citterio .....	D6/545
D794,978 S *	8/2017	Spencer .....	D6/545

(72) Inventors: **Jeroen Govers**, The Hague (NL);  
**Moon Tim Wong**, Rotterdam (NL)

\* cited by examiner

(73) Assignee: **RUBBERMAID COMMERCIAL PRODUCTS LLC**, Winchester, VA (US)

*Primary Examiner* — Wan Laymon

*Assistant Examiner* — Mark Booker

(\*\*) Term: **15 Years**

(74) *Attorney, Agent, or Firm* — Marshall, Gerstein & Borun LLP

(21) Appl. No.: **29/588,384**

(57) **CLAIM**

The ornamental design for a soap dispenser, as shown and described.

(22) Filed: **Dec. 20, 2016**

(51) **LOC (11) Cl.** ..... **23-02**

**DESCRIPTION**

(52) **U.S. Cl.**  
USPC ..... **D6/545**

(58) **Field of Classification Search**  
USPC ..... D6/545, 512, 542-544; D9/291, 448, D9/449, 682, 688, 690; 221/14, 146.3, 221/173, 181.1, 181.3, 251, 282, 628; D23/202, 238, 268, 270, 300, 313  
CPC ..... B67D 1/001; B67D 1/06; B67D 3/0029; A47K 7/04; A47G 19/24; B65D 23/003; B65D 83/40; B65D 50/045; B05B 11/3001; F16N 3/10

FIG. 1 is a front, right side perspective view of a soap dispenser showing our design.

FIG. 2 is a front view of the soap dispenser.

FIG. 3 is a rear view of the soap dispenser.

FIG. 4 is a left side view of the soap dispenser.

FIG. 5 is a right side view of the soap dispenser.

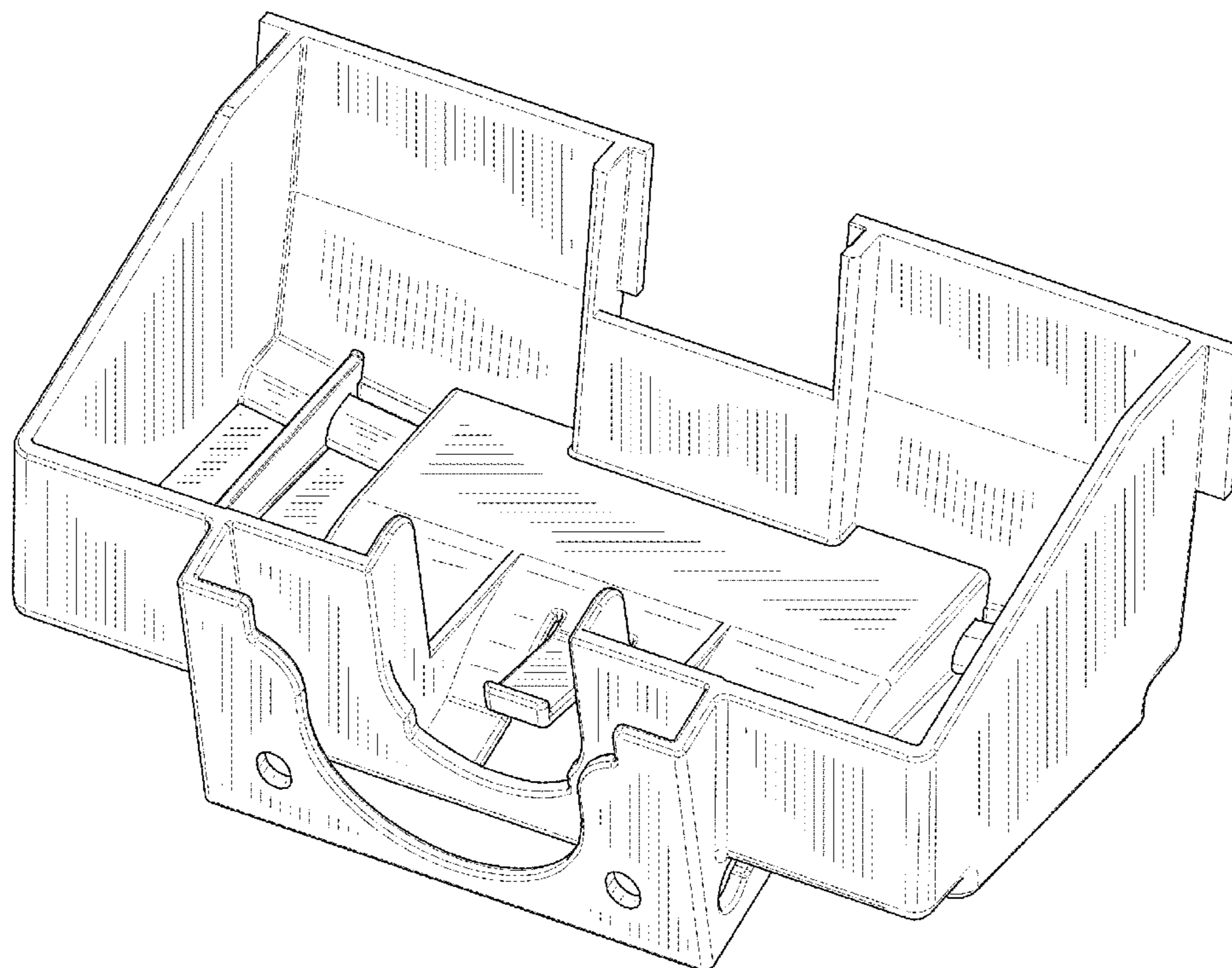
FIG. 6 is a top view of the soap dispenser; and,

FIG. 7 is a bottom view of the soap dispenser.

Features shown in broken lines in the drawings are not part of the claim.

See application file for complete search history.

**1 Claim, 7 Drawing Sheets**



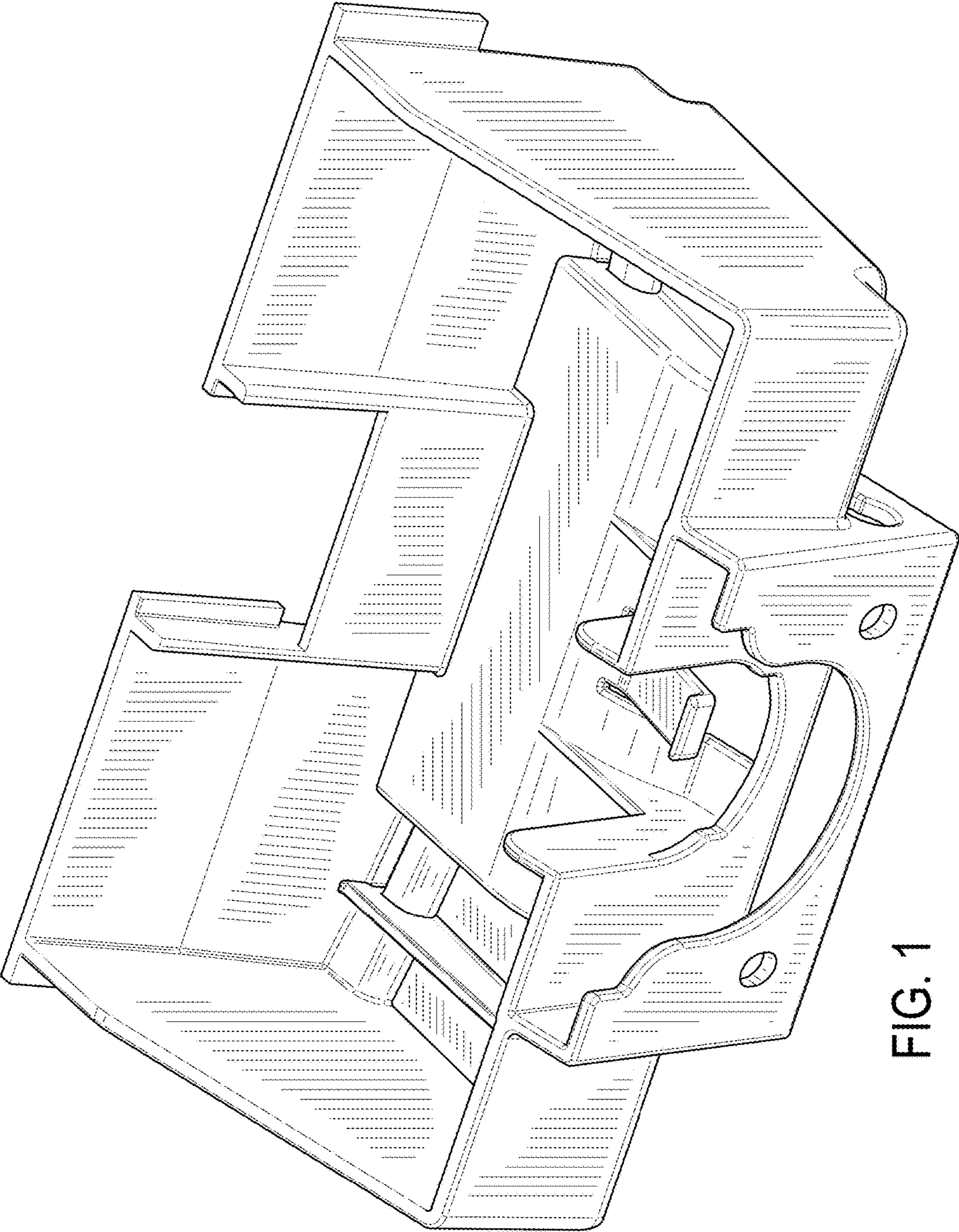


FIG. 1

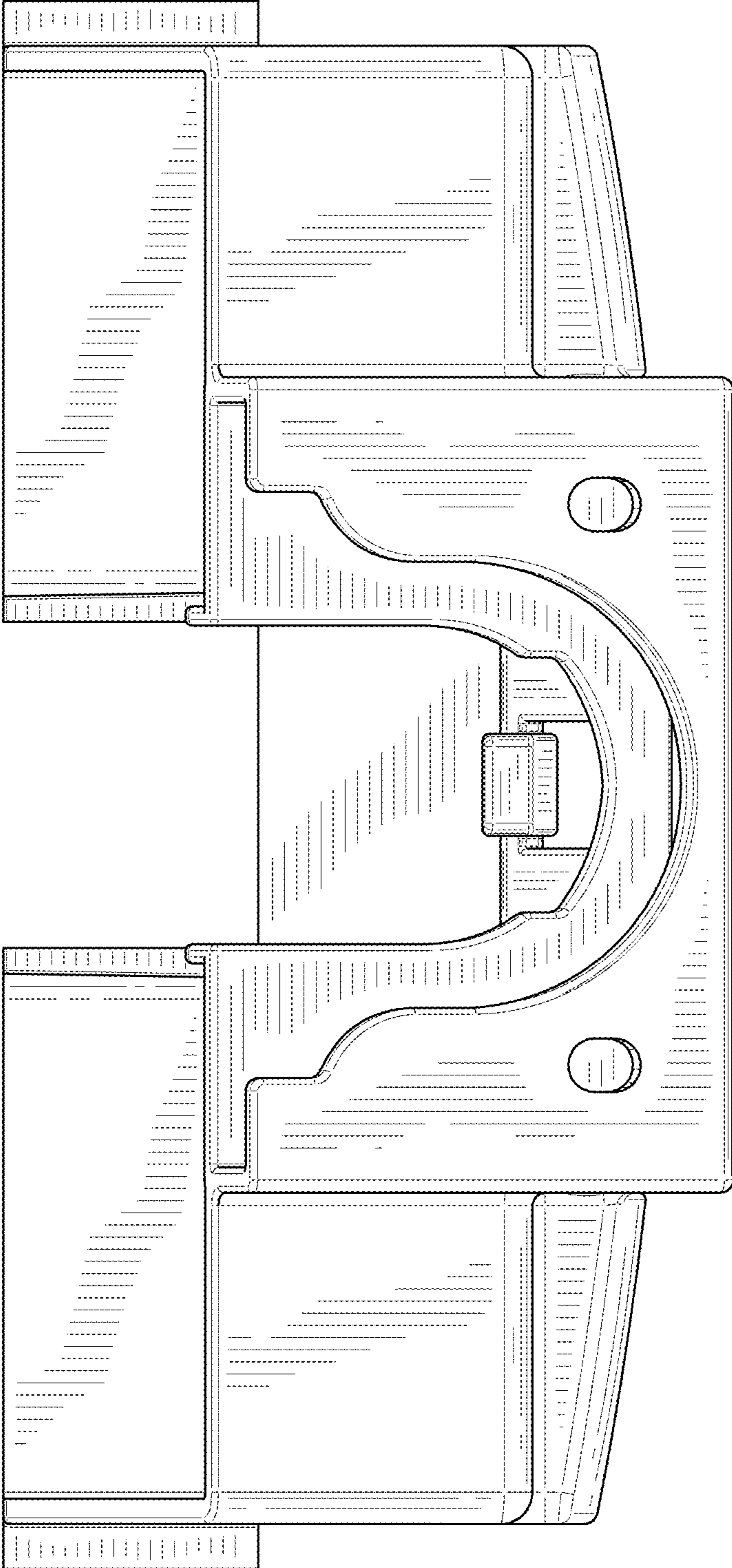


FIG. 2



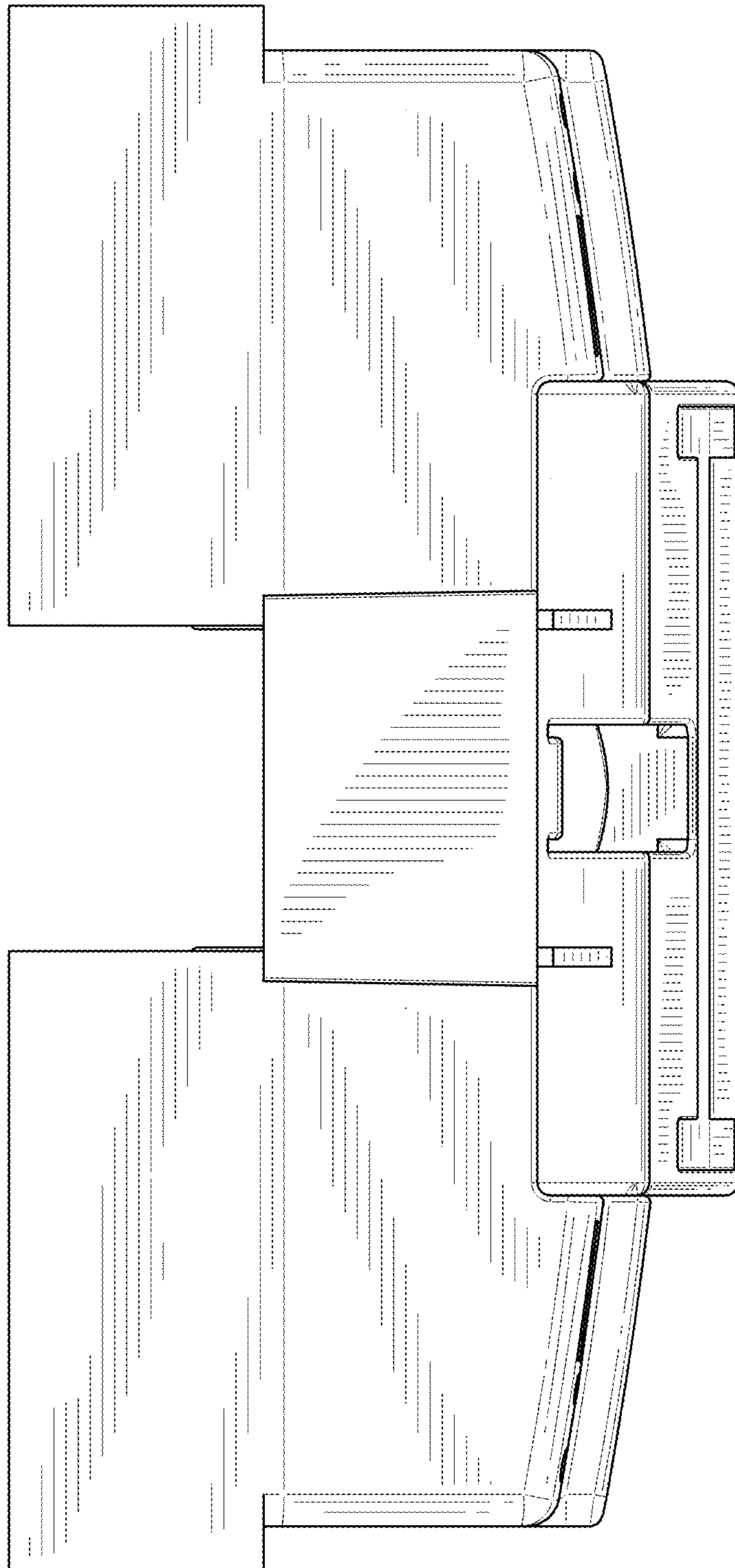


FIG. 3

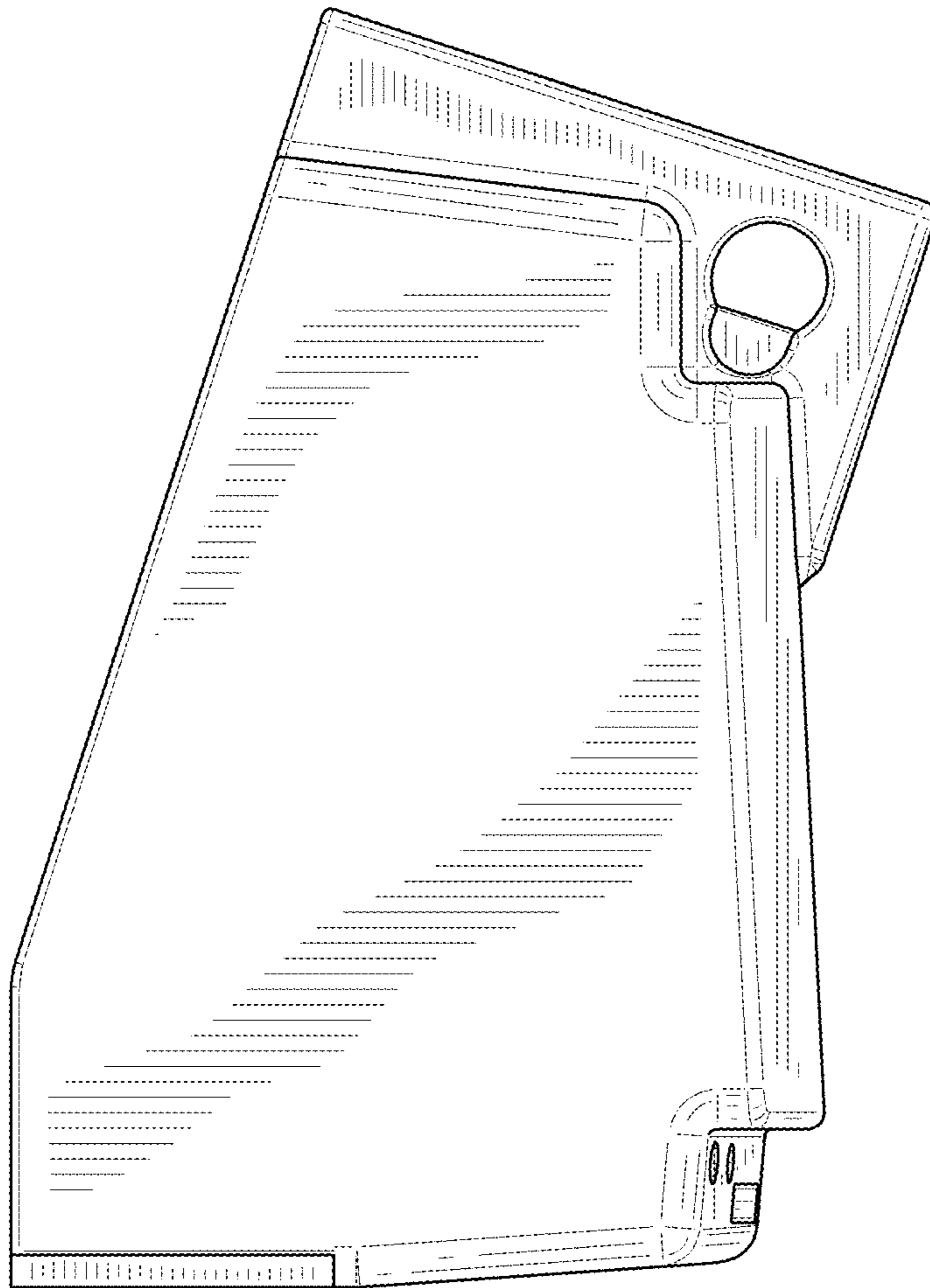


FIG. 4

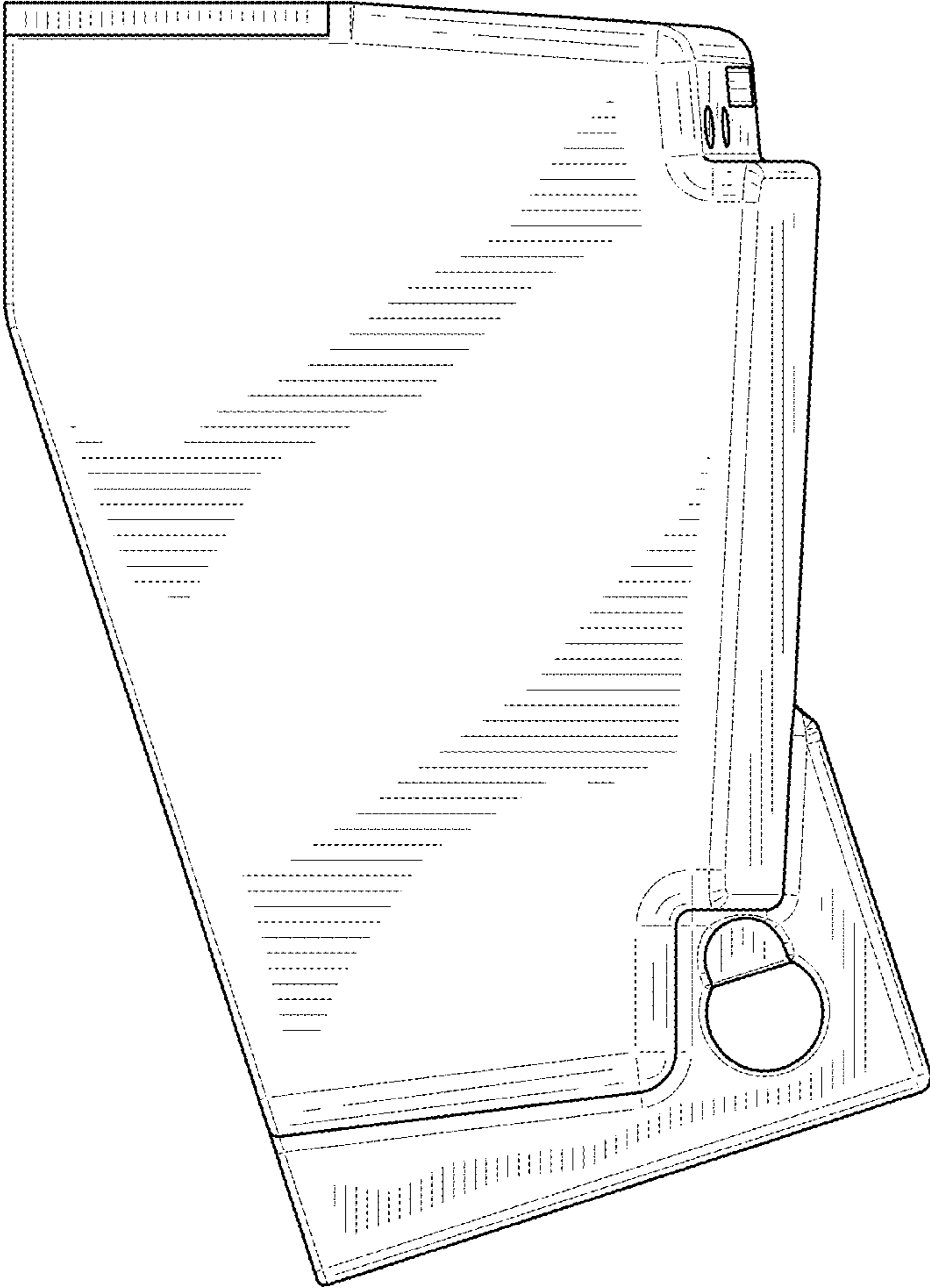


FIG. 5

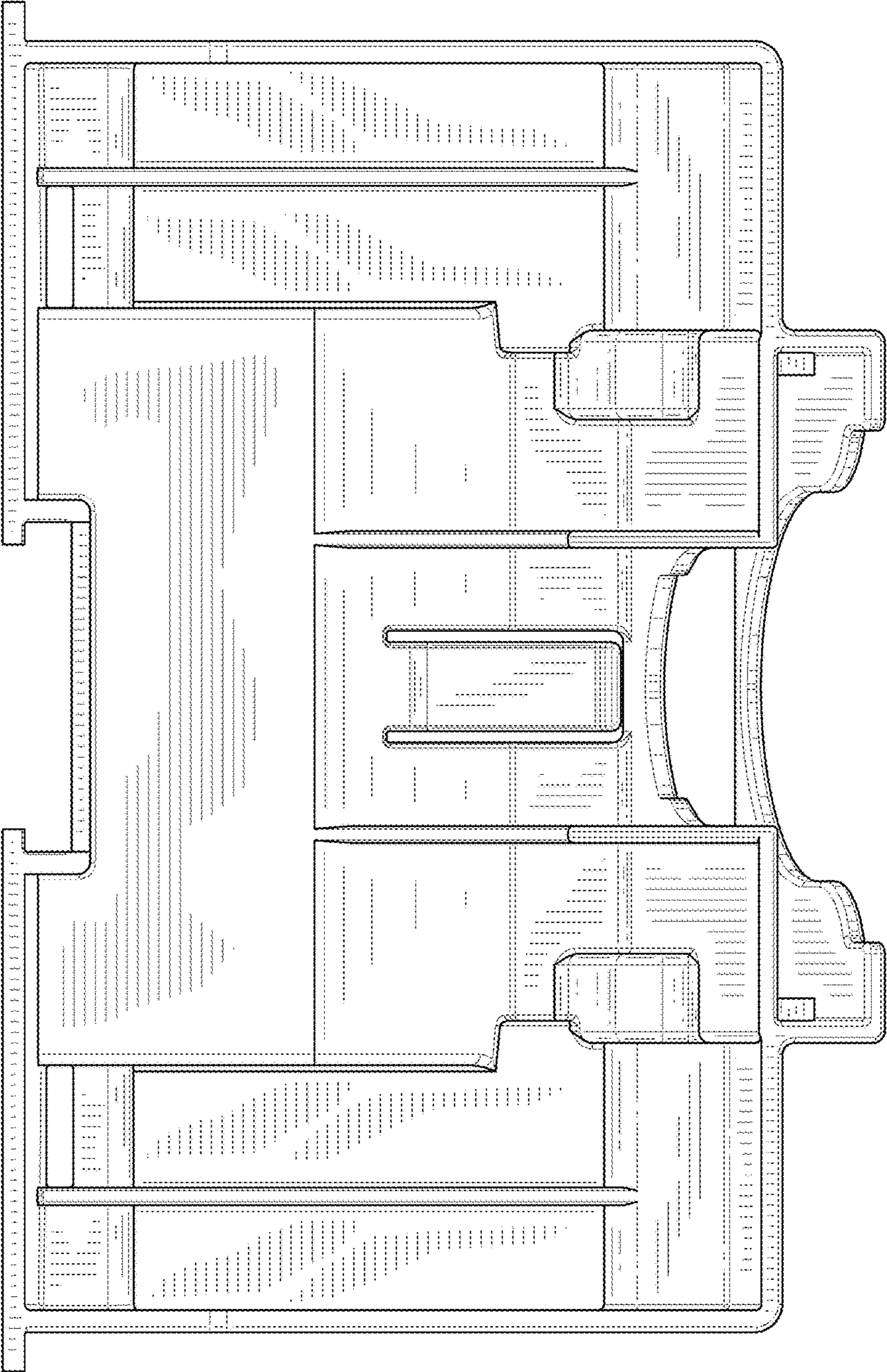


FIG. 6

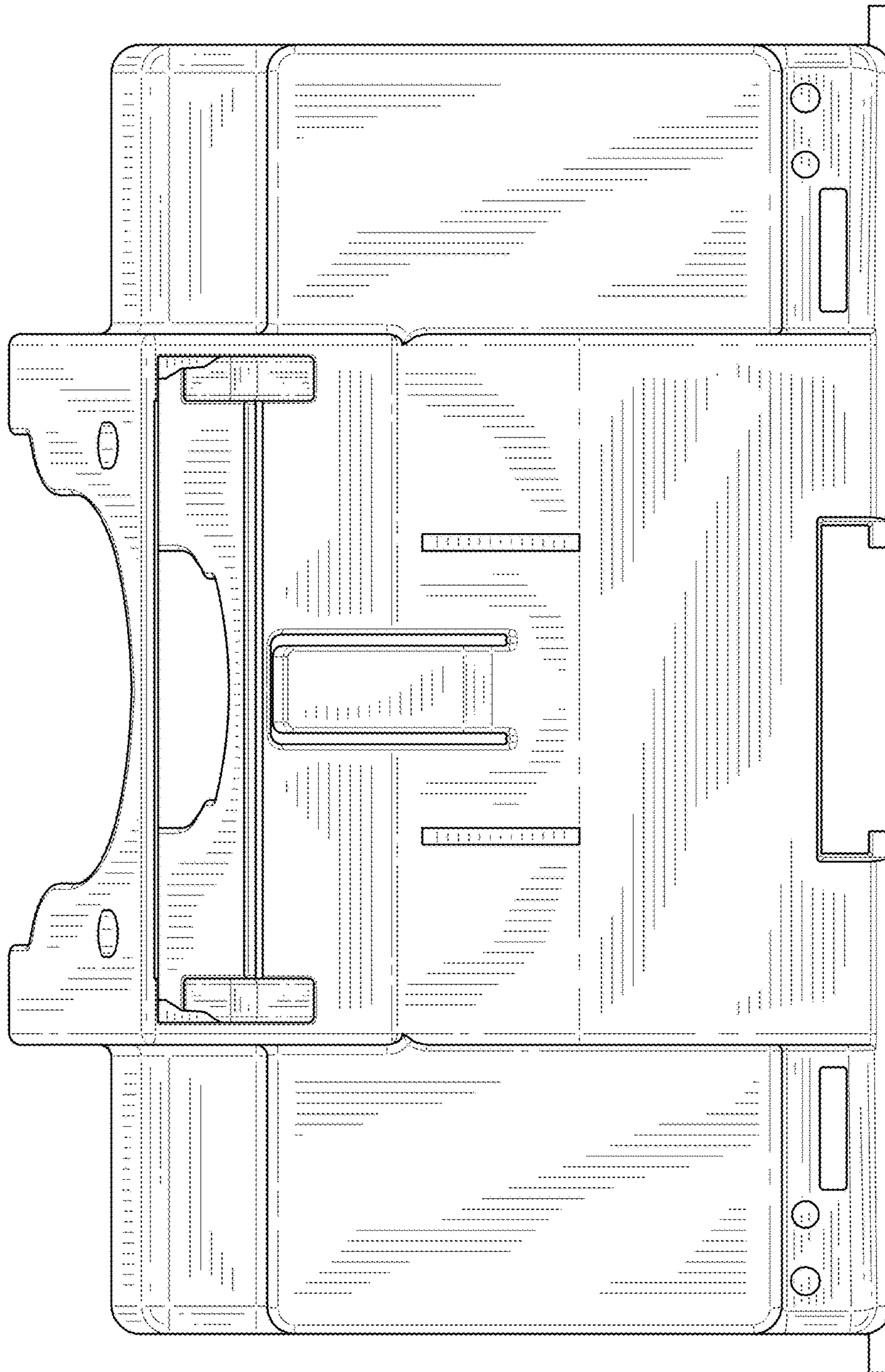


FIG. 7