



US00D823613S

(12) **United States Design Patent**
Hale

(10) **Patent No.:** **US D823,613 S**

(45) **Date of Patent:** **** Jul. 24, 2018**

(54) **CHAIR**

(71) Applicant: **Williams-Sonoma, Inc.**, San Francisco, CA (US)

(72) Inventor: **Edward Hale**, Brooklyn, NY (US)

(73) Assignee: **Williams-Sonoma, Inc.**, San Francisco, CA (US)

(**) Term: **15 Years**

(21) Appl. No.: **29/616,830**

(22) Filed: **Sep. 8, 2017**

(51) **LOC (11) Cl.** **06-01**

(52) **U.S. Cl.**
USPC **D6/375; D6/379**

(58) **Field of Classification Search**
USPC D6/334-336, 371, 372, 373, 374, 375, D6/716, 716.1, 716.3, 716.4
CPC A47C 4/02; A47C 4/03; A47C 3/12; A47C 5/12; A47C 7/16
See application file for complete search history.

(56) **References Cited**

U.S. PATENT DOCUMENTS

D142,802 S * 11/1945 Weill D6/375
D180,558 S * 7/1957 Jiranek D6/375

D286,106 S * 10/1986 Franck D6/372
D534,366 S * 1/2007 Grosfillex D6/374
D550,978 S * 9/2007 Ko D6/375
D654,283 S * 2/2012 Oliveros D6/375
D759,987 S * 6/2016 Dong D6/375

* cited by examiner

Primary Examiner — Mimosa De

(74) *Attorney, Agent, or Firm* — Cook Alex Ltd.; R. Blake Johnston

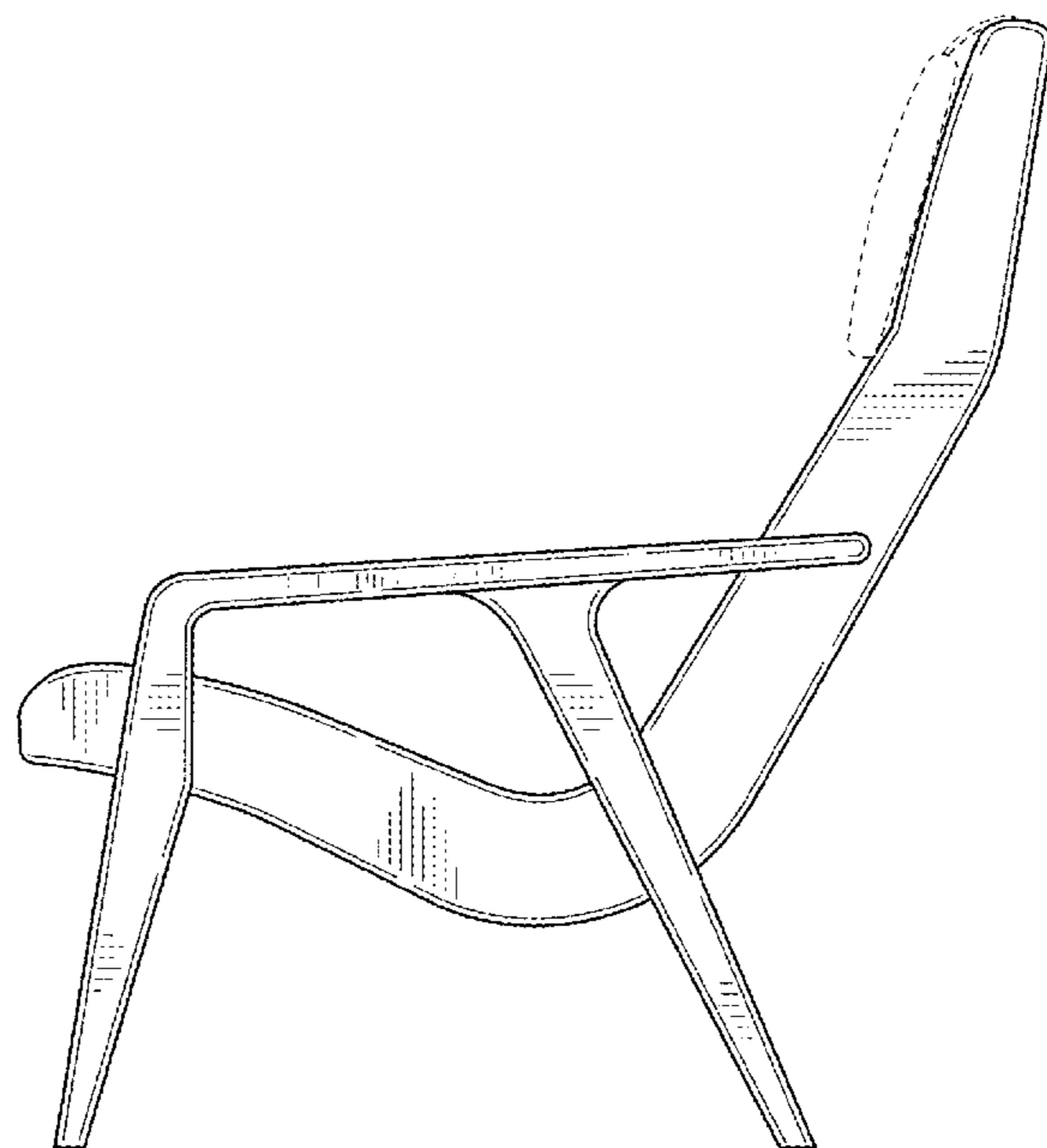
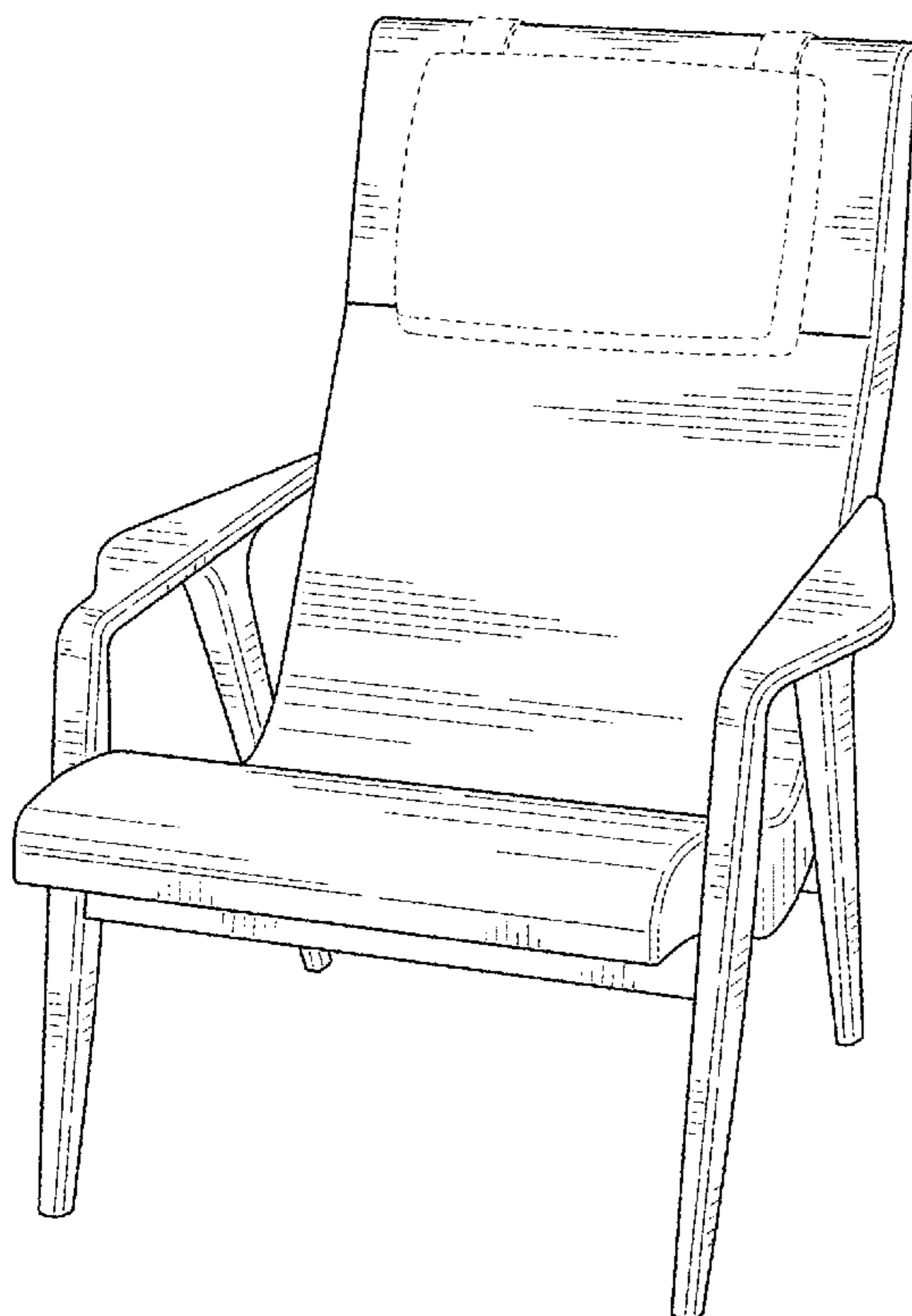
(57) **CLAIM**

The ornamental design for a chair, as shown and described.

DESCRIPTION

FIG. 1 is a perspective view of the chair;
FIG. 2 is a front elevational view of the chair;
FIG. 3 is a rear elevational view of the chair;
FIG. 4 is a left side elevational view of the chair;
FIG. 5 is a right side elevational view of the chair;
FIG. 6 is a top plan view of the chair; and,
FIG. 7 is a bottom plan view of the chair.
The broken lines shown in the drawings are for illustrative purposes only and form no part of the claimed design.

1 Claim, 4 Drawing Sheets



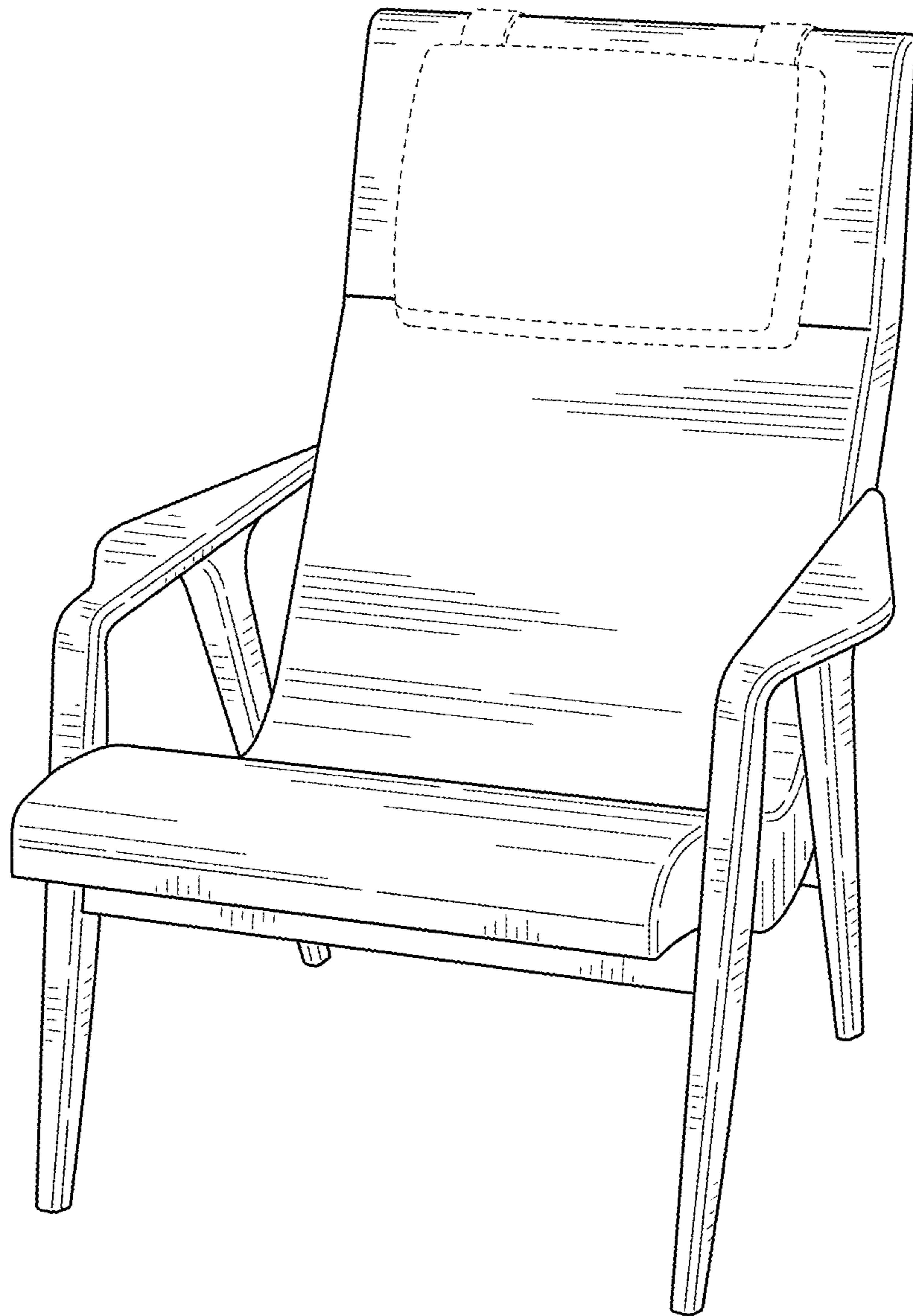


FIG. 1

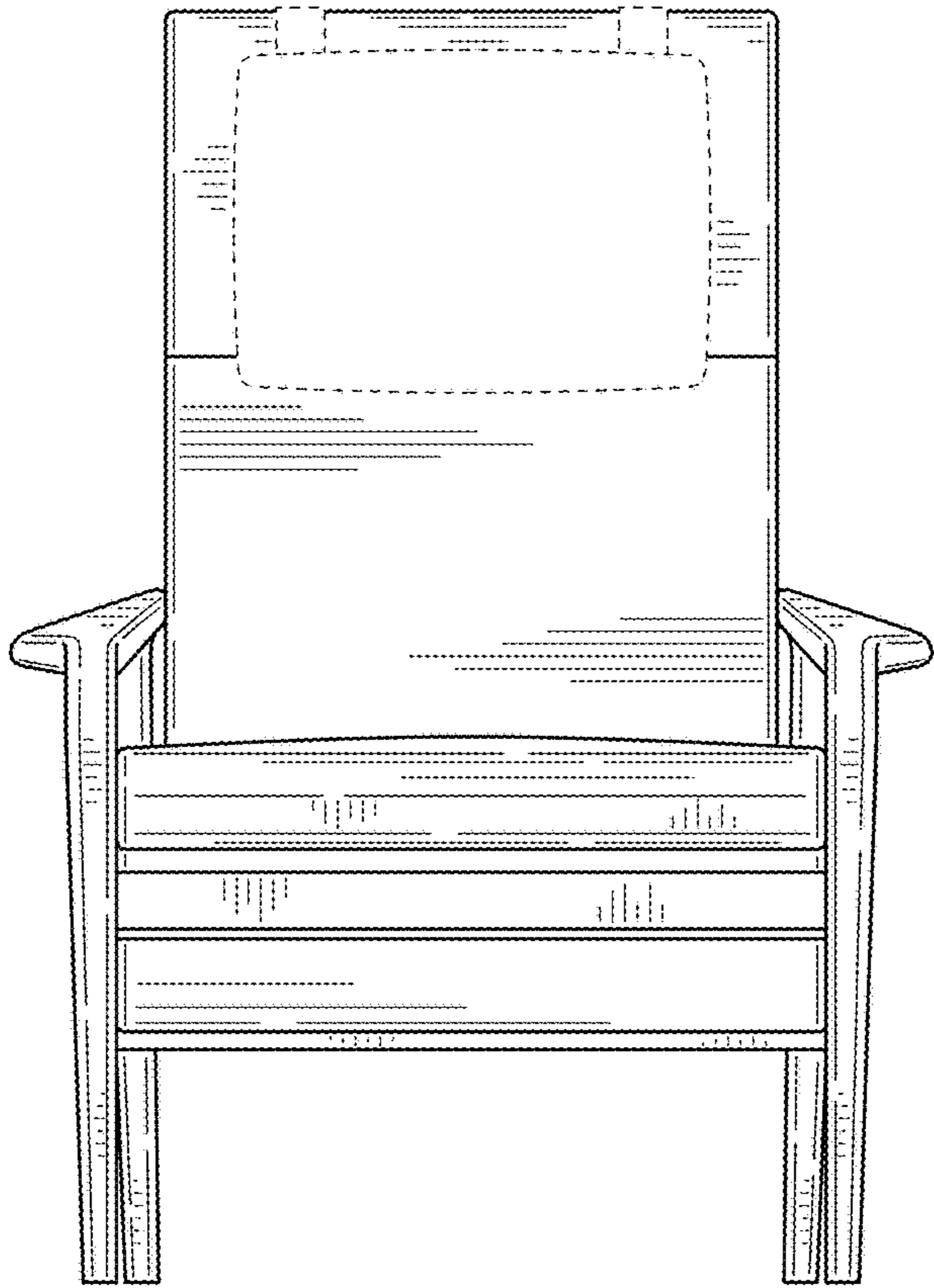


FIG. 2

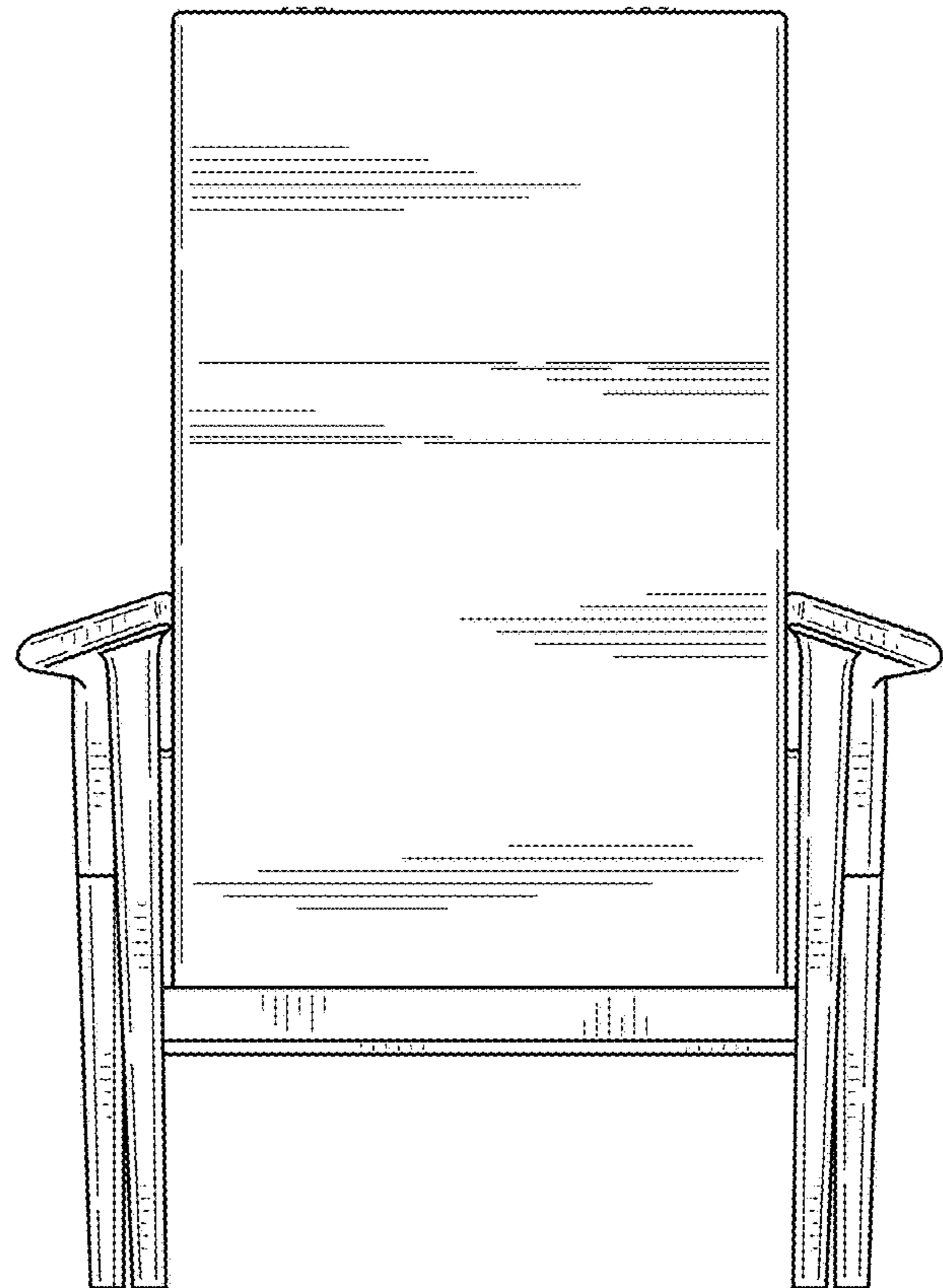


FIG. 3

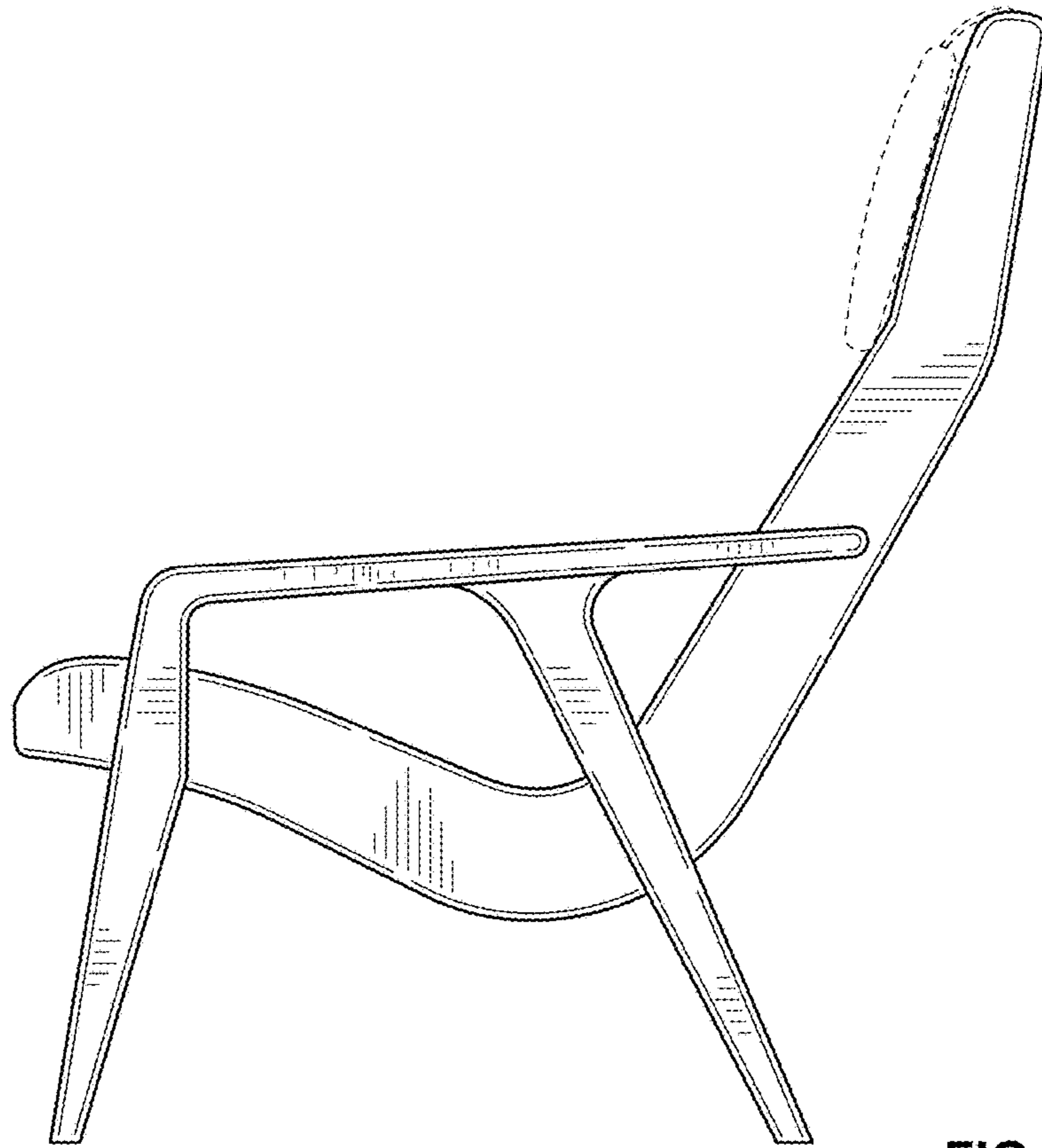


FIG. 4

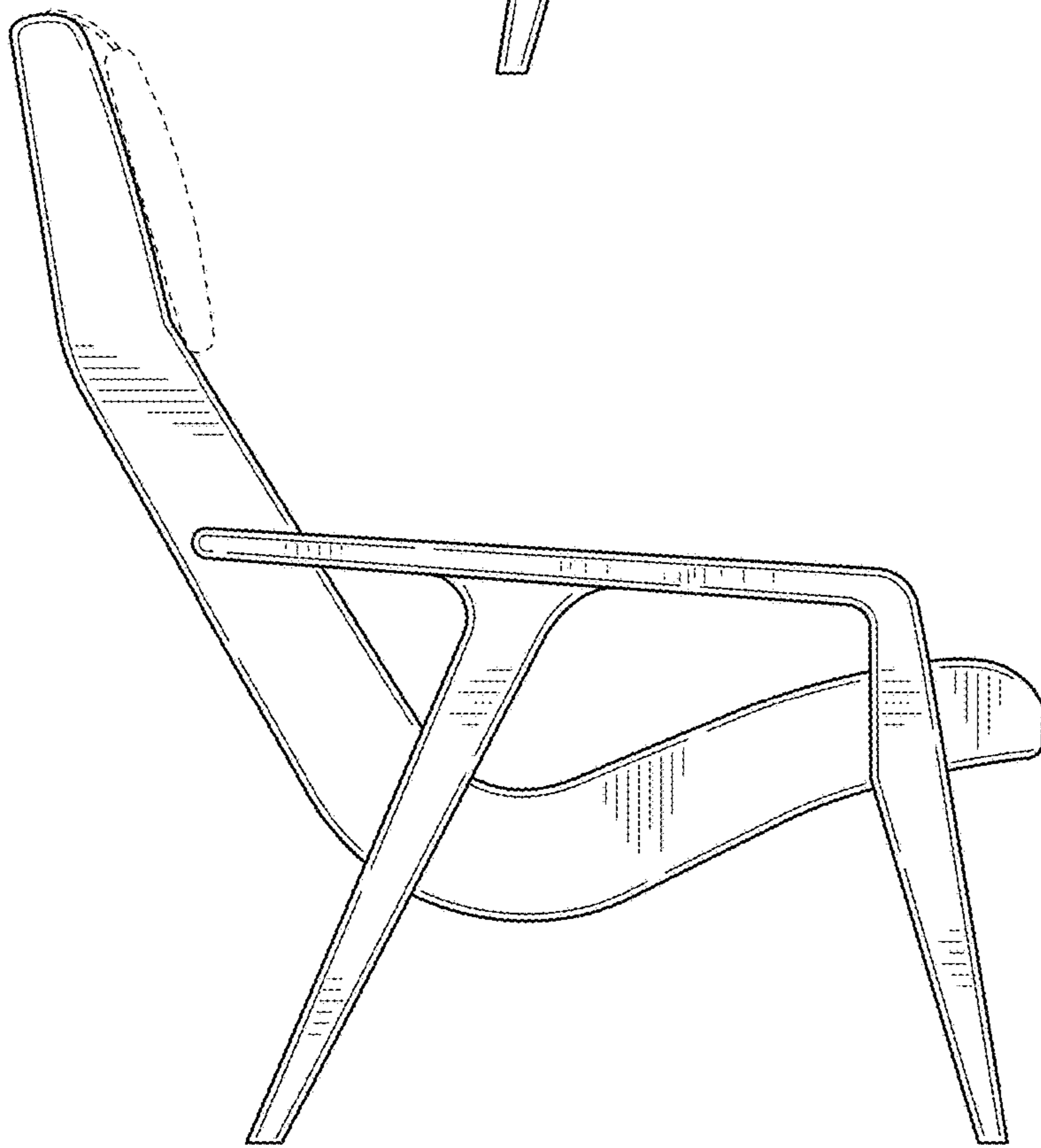


FIG. 5

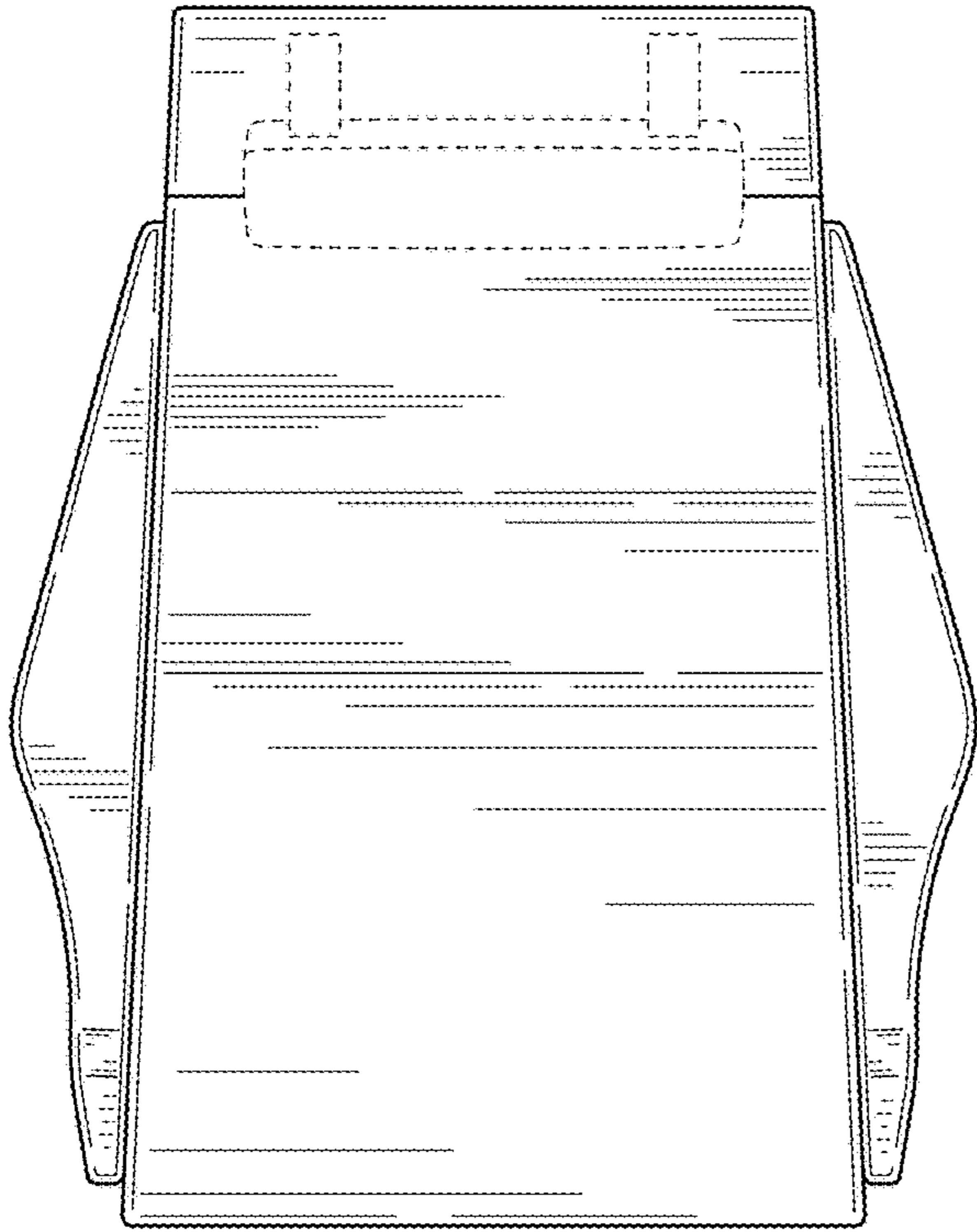


FIG. 6

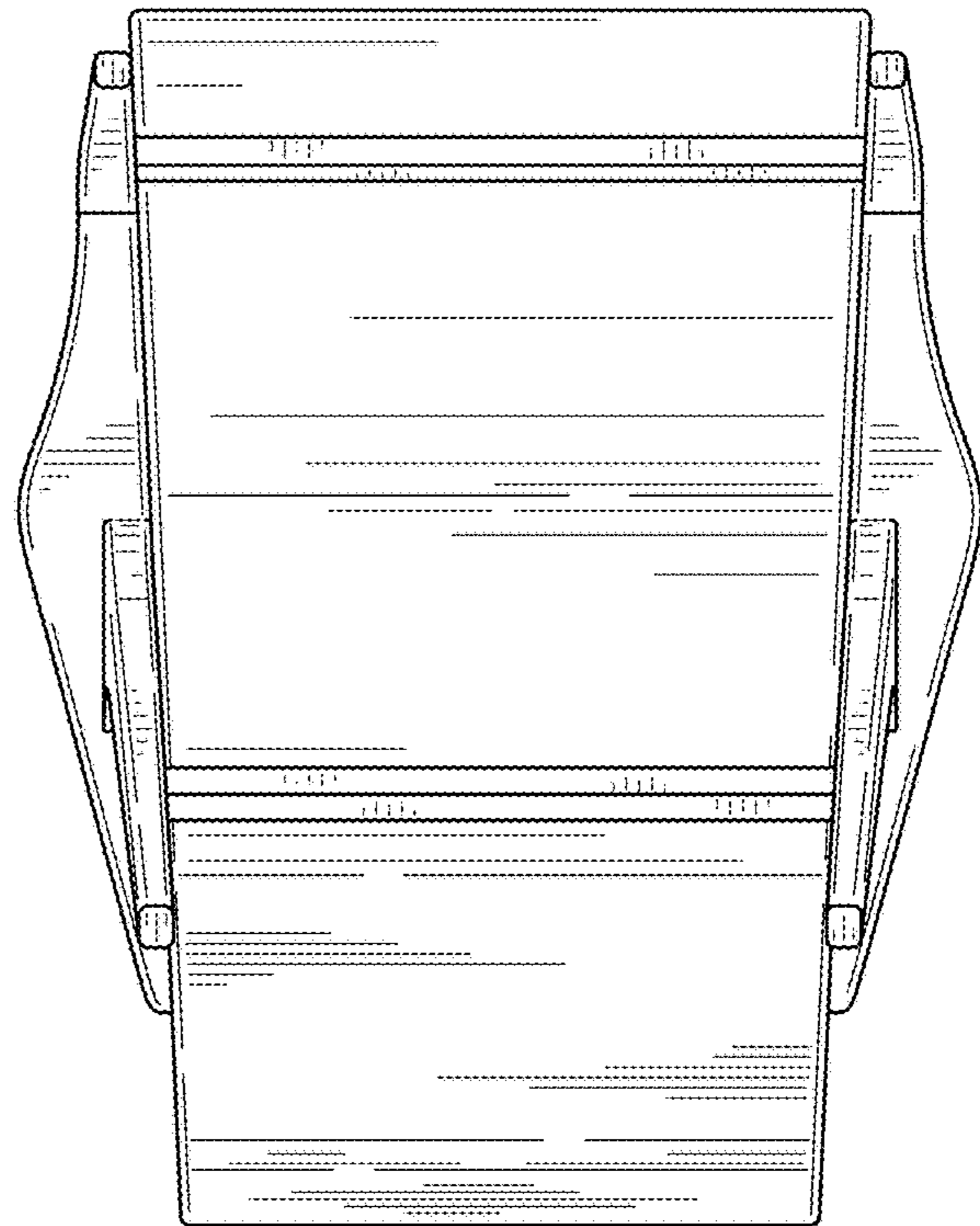


FIG. 7