



US00D823611S

(12) **United States Design Patent**
Illan

(10) **Patent No.:** **US D823,611 S**
(45) **Date of Patent:** **** Jul. 24, 2018**

- (54) **PORTABLE BIKER'S BENCH**
- (71) Applicant: **Joseph M. Illan**, Berkeley Heights, NJ (US)
- (72) Inventor: **Joseph M. Illan**, Berkeley Heights, NJ (US)
- (73) Assignee: **Joseph M. Illan**, Berkeley Heights, NJ (US)

D502,023	S	*	2/2005	Anderson	D6/336
D523,607	S	*	6/2006	Huguet	D34/21
7,144,020	B2	*	12/2006	Huguet	A47B 95/043 280/47.34
D591,021	S	*	4/2009	Peacock	D34/17
D636,615	S	*	4/2011	Grela	D34/20
D648,128	S	*	11/2011	Clayton	D3/279
D711,613	S	*	8/2014	Brenner	D34/14
D756,137	S	*	5/2016	Abelmann	D6/336
D803,593	S	*	11/2017	Duarte	D6/349

- (**) Term: **15 Years**
- (21) Appl. No.: **29/595,722**
- (22) Filed: **Mar. 1, 2017**
- (51) **LOC (11) Cl.** **06-01**
- (52) **U.S. Cl.**
USPC **D6/336; D6/349**
- (58) **Field of Classification Search**
USPC D6/334, 336, 349-353, 360, 364, 365,
D6/367, 371-373, 374, 403-405, 601,
D6/691-691.9, 692-692.6, 716;
D34/19-21, 28, 34; D3/274, 279
CPC A47B 7/00; A47B 7/02; A47B 9/00; A47B
13/02; A47B 23/00; A47B 39/00; A47C
3/18; A47C 3/20; A47C 7/002; A47C
7/18; A47C 9/002; A47C 9/007; A47C
9/02; A47C 9/025; A47C 9/08; A47C
11/00; A47C 12/00; A47C 13/00; A47C
16/02; A47C 16/04
See application file for complete search history.

OTHER PUBLICATIONS

Biker's Bench Berkeley Heights. [online] Published on Aug. 14, 2016. Retrieved Feb. 14, 2018 from URL:<https://www.facebook.com/pg/bikersbench/posts/>.*
Torin 5 ft. Professional Rolling Workbench. [online] Published on Sep. 11, 2013. Retrieved Feb. 14, 2018 from URL:<https://www.walmart.com/ip/Torin-5-ft.-Professional-Rolling-Workbench/17668371>.*

* cited by examiner

Primary Examiner — Vy N Koenig
(74) *Attorney, Agent, or Firm* — Gearhart Law LLC

(57) **CLAIM**

The ornamental design for a portable biker's bench, as shown and described.

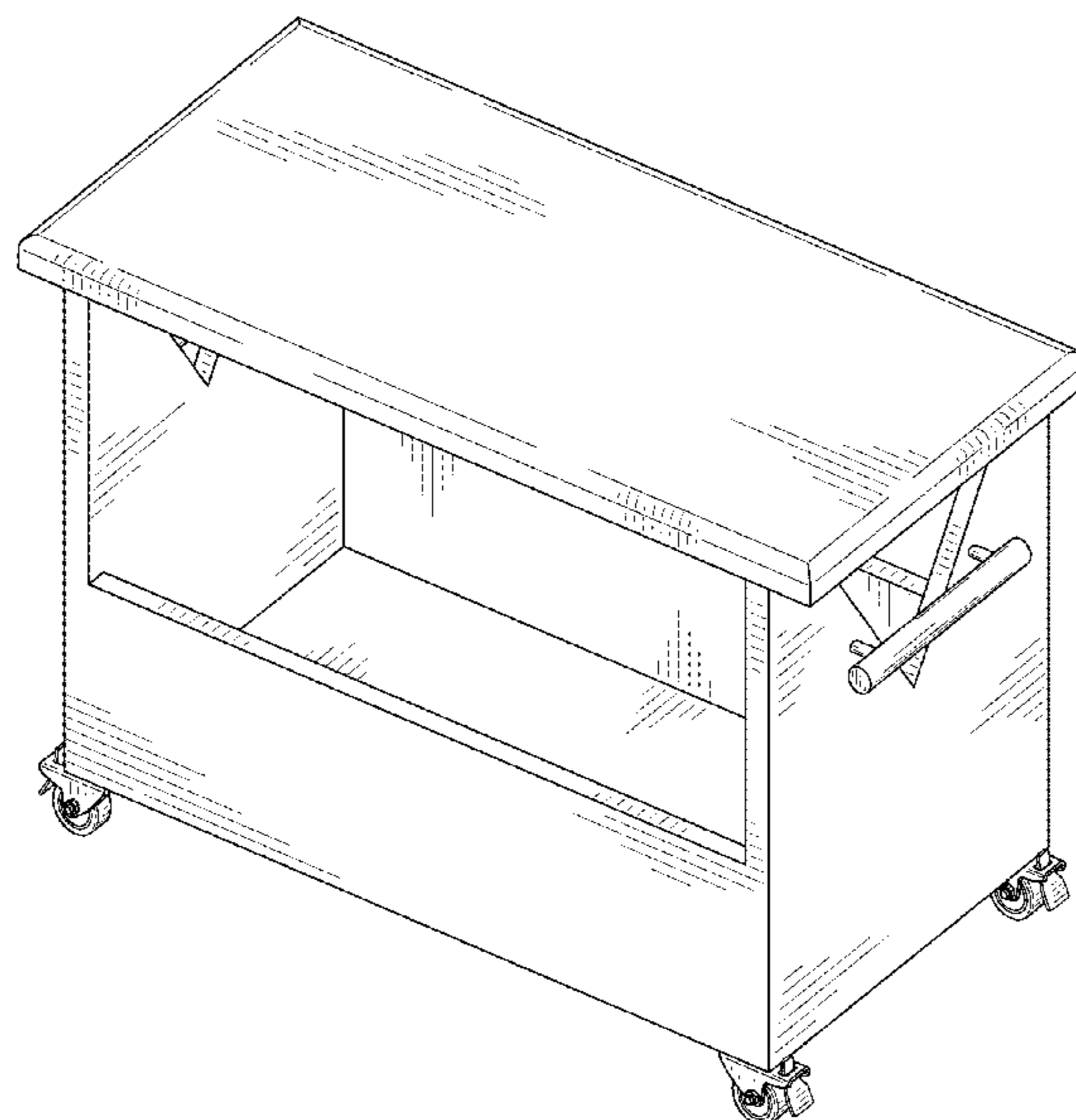
DESCRIPTION

FIG. 1 is a front, top and right perspective view of the portable biker's bench showing my new design.
FIG. 2 is a front view thereof.
FIG. 3 is a back view thereof.
FIG. 4 is a left side view thereof.
FIG. 5 is a right side view thereof
FIG. 6 is a top view thereof; and,
FIG. 7 is a bottom view thereof.

1 Claim, 4 Drawing Sheets

(56) **References Cited**
U.S. PATENT DOCUMENTS

D271,733	S	*	12/1983	Daventry	D34/19
D427,404	S	*	6/2000	Glass	D34/19
D430,752	S	*	9/2000	Hazen	D6/662.1
D455,881	S	*	4/2002	Arvans	D34/12



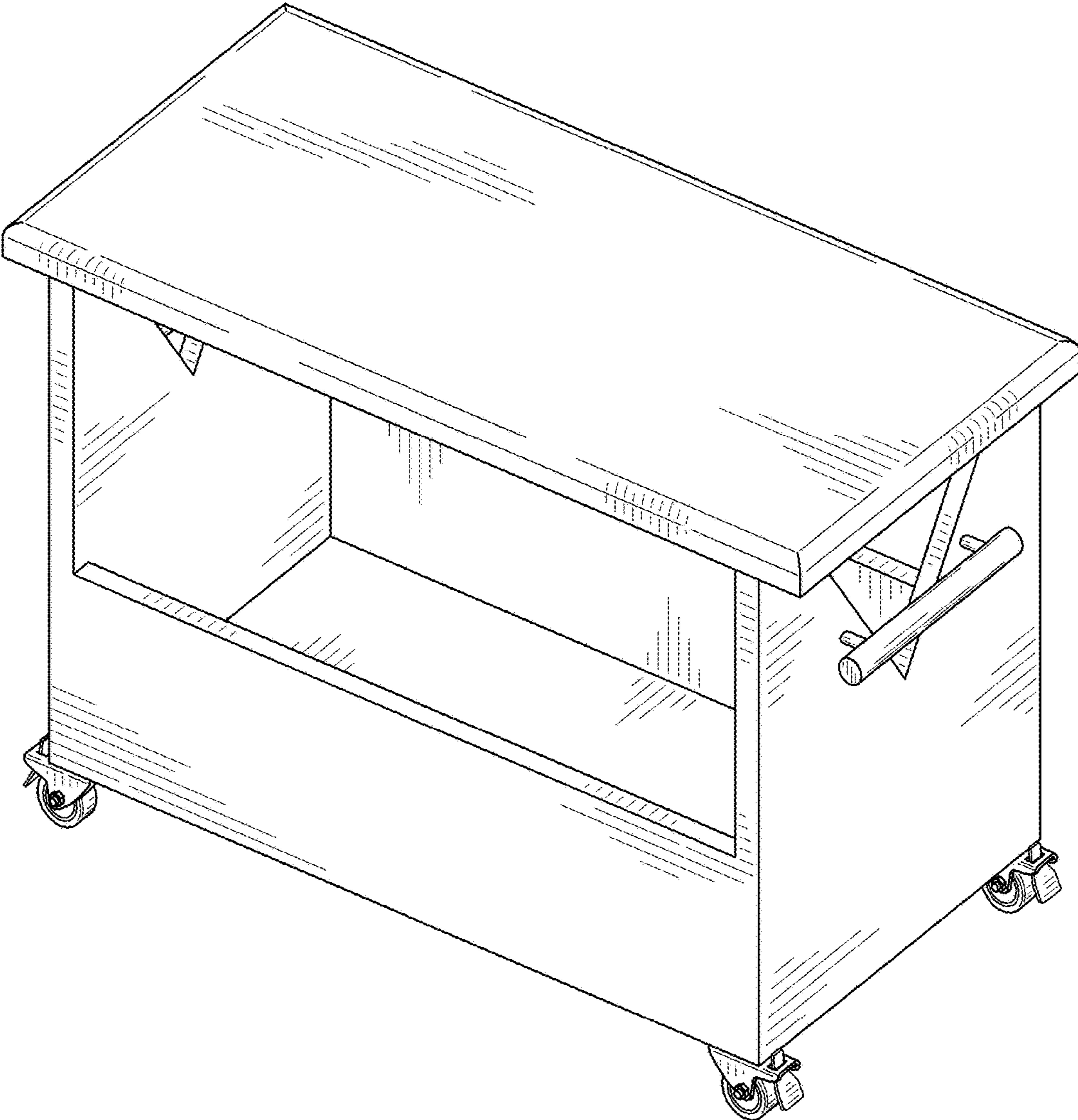


FIG. 1



FIG. 2

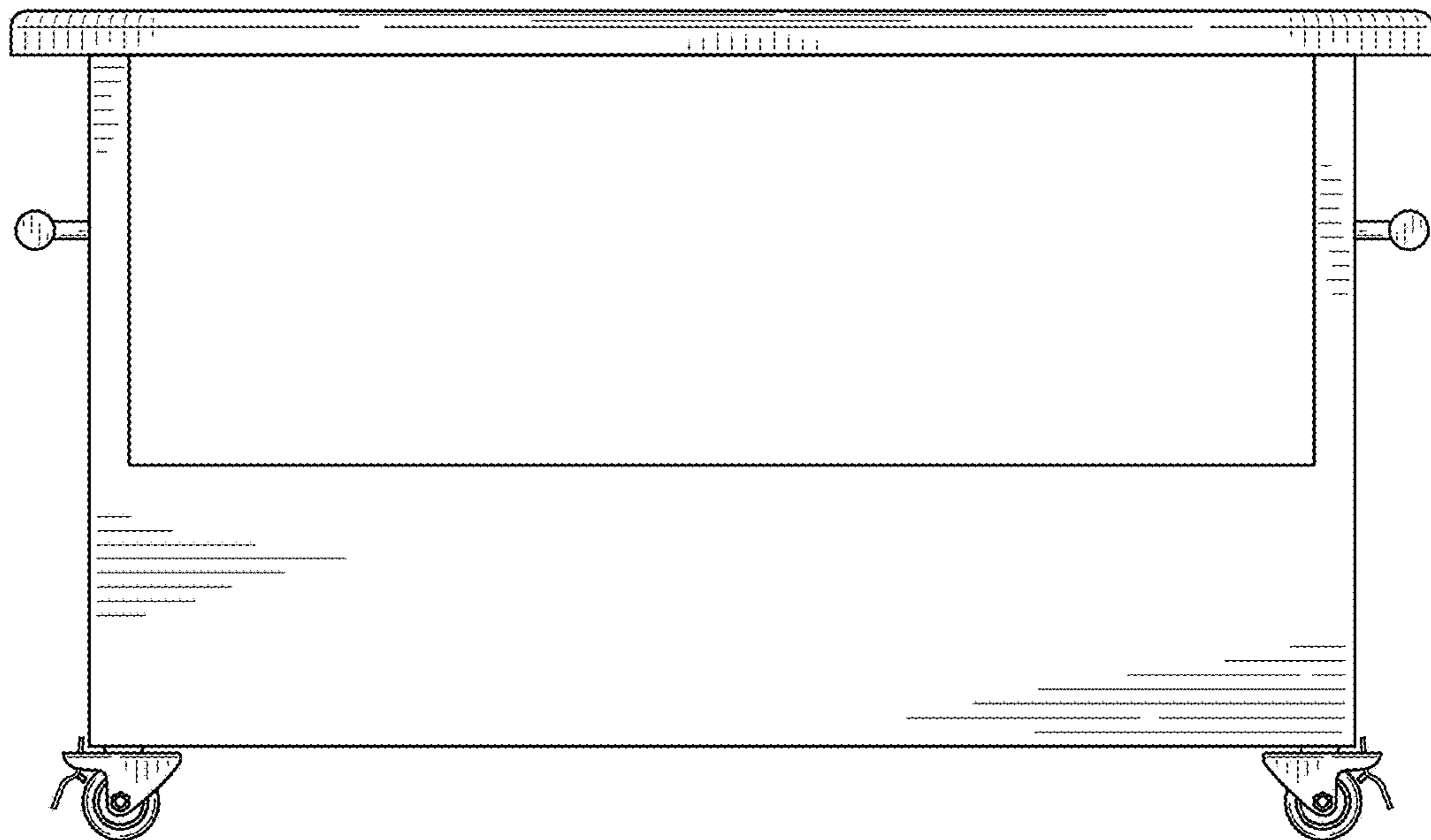


FIG. 3

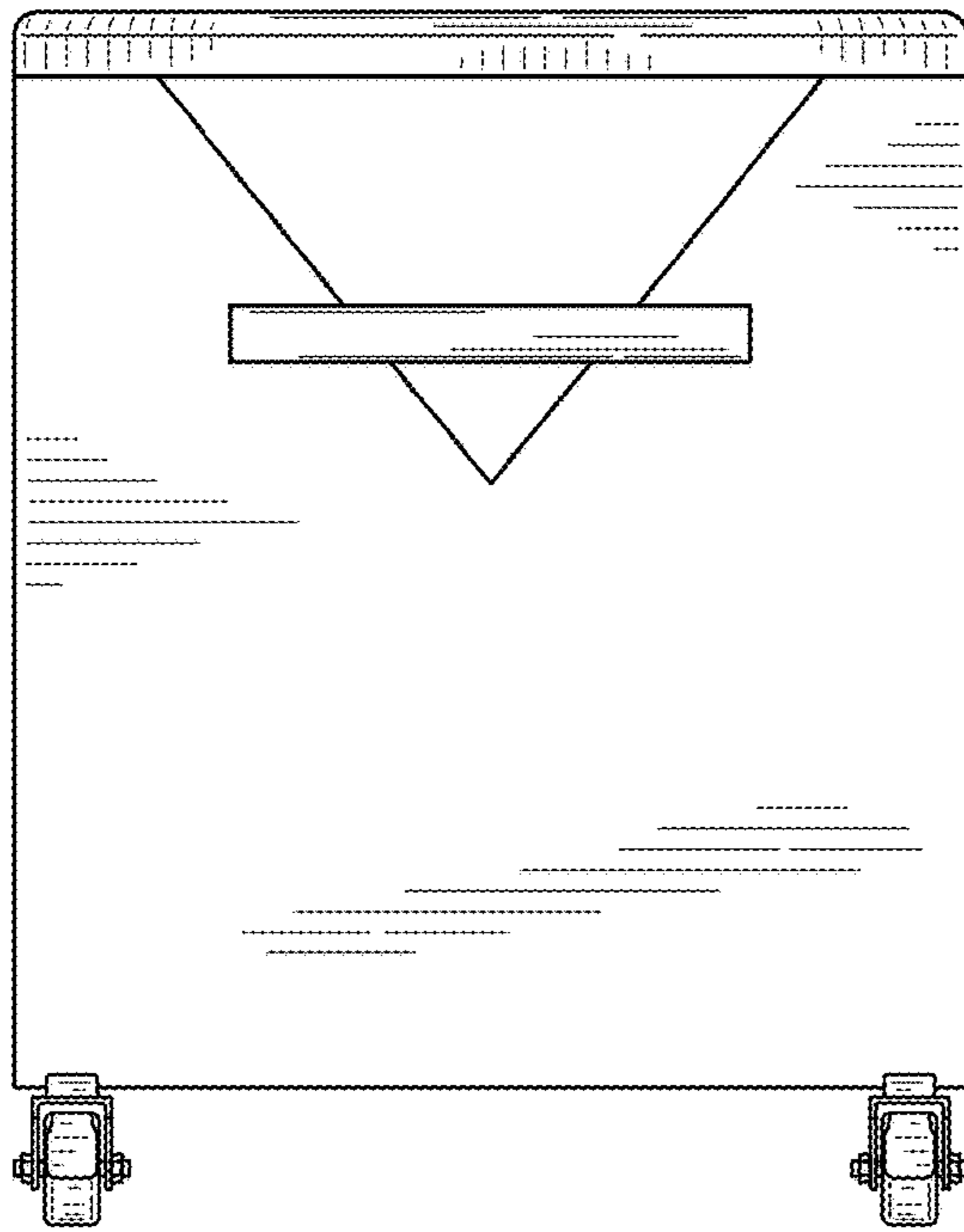


FIG. 4

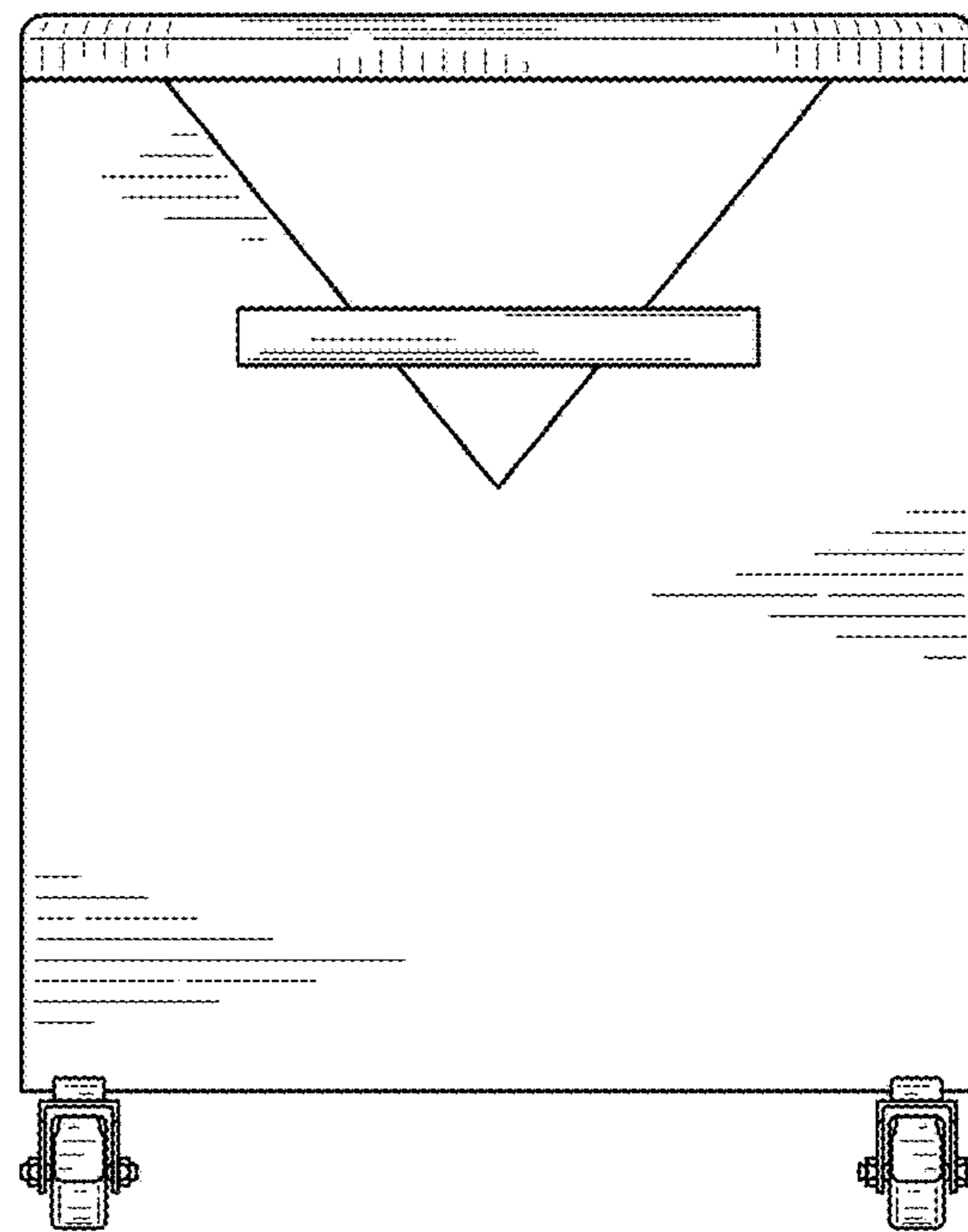


FIG. 5

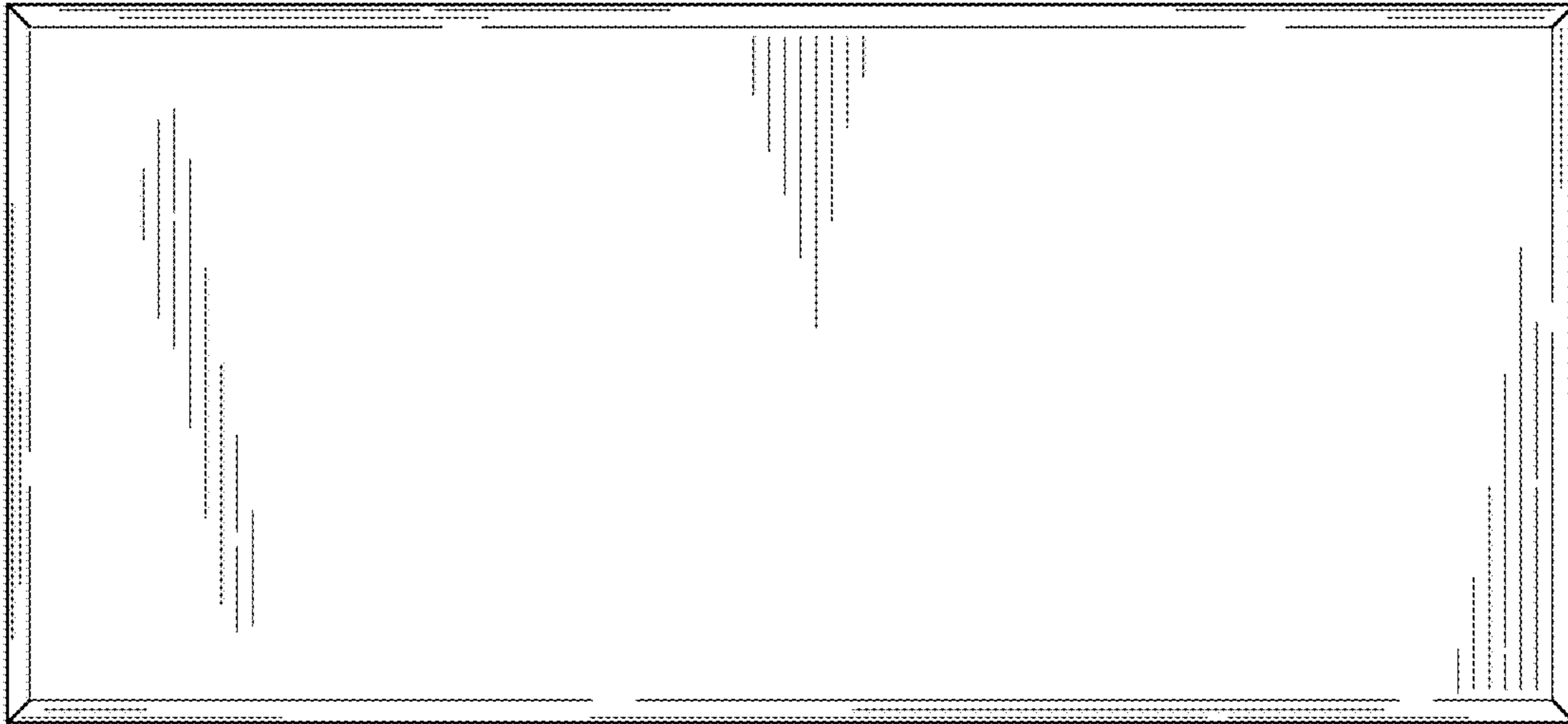


FIG. 6



FIG. 7