



US00D823605S

(12) **United States Design Patent**
Nicoline et al.

(10) **Patent No.:** **US D823,605 S**
(45) **Date of Patent:** **** Jul. 24, 2018**

(54) **MAKEUP BRUSH**

FOREIGN PATENT DOCUMENTS

(71) Applicant: **Paris Presents Incorporated**, Gurnee, IL (US)

CN 301864035 * 3/2012
CN 302272381 * 1/2013

(Continued)

(72) Inventors: **Alyssa Carolyn Nicoline**, Chicago, IL (US); **Jessica Briggs**, Highland Park, IL (US)

OTHER PUBLICATIONS

(73) Assignee: **PARIS PRESENTS INCORPORATED**, Gurnee, IL (US)

ecoTOOLS Limited Edition beautiful expressions kabuki set [online]. Available at least as early Dec. 7, 2016; retrieved from the Internet Feb. 7, 2018. URL: <<https://web.archive.org/web/20161207061950/http://beautygal.info/g/39218/ecotools-make-up-kabuki-brush-set>>. (7 pages) (Year: 2016).*

(Continued)

(**) Term: **15 Years**

Primary Examiner — Karen E Eldridge Powers

(21) Appl. No.: **29/587,834**

(74) *Attorney, Agent, or Firm* — Quarles & Brady LLP

(22) Filed: **Dec. 15, 2016**

(51) **LOC (11) Cl.** **04-02**

(57) **CLAIM**

(52) **U.S. Cl.**

The ornamental design for a makeup brush, as shown and described.

USPC **D4/127**

(58) **Field of Classification Search**

DESCRIPTION

USPC D4/104, 108, 111, 112, 113, 105, 106, D4/107, 110, 114, 115, 116, 117, 118, D4/119, 120, 122, 123, 124, 125, 127, D4/128, 129, 130, 131, 132, 133, 134, D4/135, 136, 137, 138, 199; 15/DIG. 5
CPC A46B 9/02; A46B 9/021; A46B 2200/1046
See application file for complete search history.

FIG. 1 is an isometric view of a front, bottom, and right side of an ornamental design for a makeup brush;
FIG. 2 is a front elevational view of the makeup brush of FIG. 1;
FIG. 3 is a rear elevational view of the makeup brush of FIG. 1;
FIG. 4 is a right side elevational view of the makeup brush of FIG. 1;
FIG. 5 is a left side elevational view of the makeup brush of FIG. 1;
FIG. 6 is a top plan view of the makeup brush of FIG. 1; and, FIG. 7 is a bottom plan view of the makeup brush of FIG. 1.
The dash-dash-dash-dash lines are for the purpose of illustrating environmental structure and form no part of the claimed design.

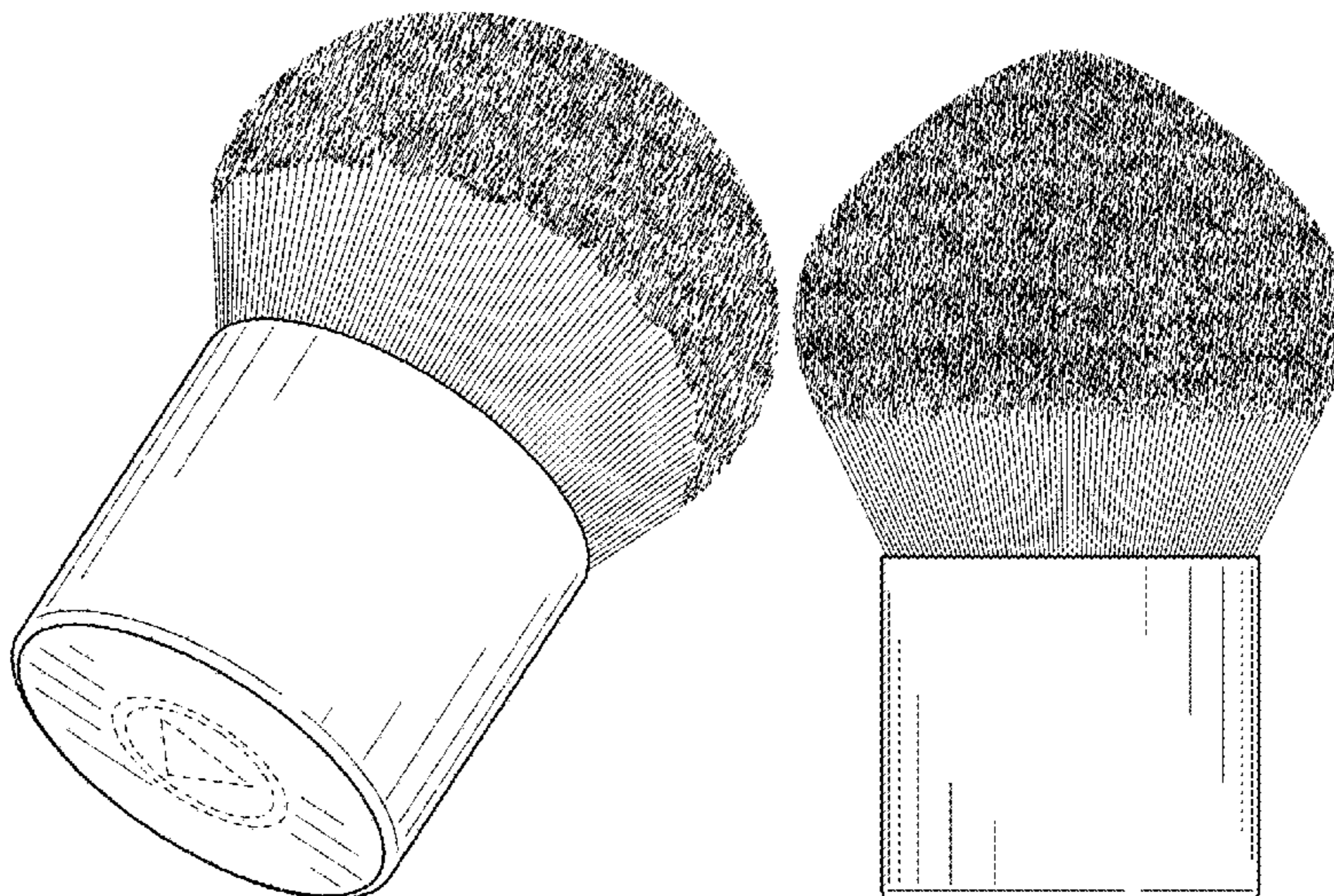
(56) **References Cited**

U.S. PATENT DOCUMENTS

1,500,925 A 7/1924 Coleman
D92,088 S 4/1934 Johnson
2,052,836 A 9/1936 Lowy
D132,607 S 6/1942 Schwartz
2,837,755 A 6/1958 Jones
2,985,166 A 5/1961 Burkardt
D196,471 S 10/1963 Myers
D205,127 S 6/1966 Dykes

(Continued)

1 Claim, 2 Drawing Sheets



(56)

References Cited

U.S. PATENT DOCUMENTS

3,503,395 A 3/1970 Meyer
 3,505,700 A 4/1970 Rodriguez
 D217,745 S 6/1970 Silson
 D220,074 S 3/1971 Morris
 D234,725 S 4/1975 Yamada
 4,027,348 A 6/1977 Flowers et al.
 D245,948 S 10/1977 Wolff
 D251,159 S 2/1979 Tolliver
 4,292,986 A 10/1981 Ergaver et al.
 D269,481 S 6/1983 Souza
 4,617,694 A 10/1986 Bori
 D307,216 S 4/1990 Yuen
 D357,125 S 4/1995 Hernandez
 5,862,559 A * 1/1999 Hunter A46B 7/08
 15/167.1
 D442,369 S * 5/2001 Damiano D4/127
 D450,930 S * 11/2001 Mink D4/135
 D454,001 S * 3/2002 Mink D4/127
 D480,878 S 10/2003 Mastroianni
 D491,721 S 6/2004 Brattesani
 6,900,560 B2 5/2005 Ji
 D562,005 S 2/2008 King
 D576,804 S 9/2008 Pulfrey
 D601,804 S 10/2009 Hwang
 D607,563 S 1/2010 Hull et al.
 D631,663 S 2/2011 Krus et al.
 D660,600 S 5/2012 Pottes
 D681,959 S 5/2013 Myoung
 D688,465 S 8/2013 Khubani
 8,500,754 B2 8/2013 Hull, Jr.
 D697,314 S 1/2014 Tronconi
 D706,542 S * 6/2014 Lavigne D4/135
 D728,241 S 5/2015 Helmbold et al.
 D734,949 S 7/2015 Behnam
 D739,145 S 9/2015 von Berg
 D743,174 S 11/2015 von Berg
 D757,442 S 5/2016 Waitesmith
 D770,181 S 11/2016 Reishus et al.
 D774,774 S 12/2016 Nichols
 D781,588 S 3/2017 Lee
 D796,544 S * 9/2017 Brisky D14/490
 D801,058 S * 10/2017 Xavier D4/135
 9,787,167 B2 10/2017 Skidmore
 2005/0273959 A1 12/2005 Dillon
 2008/0172816 A1 7/2008 Zhadanov
 2012/0296342 A1 11/2012 Haglund Wendelschafer
 2014/0331422 A1 * 11/2014 Lim A45D 40/262
 15/106

2015/0173998 A1 6/2015 Thiebaut et al.
 2016/0206087 A1 7/2016 Skidmore et al.
 2017/0127815 A1 5/2017 Renfro

FOREIGN PATENT DOCUMENTS

CN 303110427 S 2/2015
 CN 303512789 S 12/2015
 CN 304282029 S 9/2017
 DE 9315103 12/1993
 EM 001890450-0001 * 7/2011
 EM 003332311-0004 * 8/2016
 JP D1303787 * 6/2007
 JP D1508527 S 10/2014
 KR 300647342.0000 * 6/2012
 KR 300778256.0000 * 1/2015
 KR 300873441.0000 * 9/2016
 WO 2010084870 7/2010
 WO WO-D095142-001 * 3/2017

OTHER PUBLICATIONS

Airbrush Foundation Kabuki Brush #129 | Ulta Beauty [on-line]. First available date unknown; retrieved from the Internet Feb. 19, 2018 . URL: <<https://web.archive.org/web/20161207061950/http://beautygal.info/g/39218/ecotools-make-up-kabuki-brush-set>>. (5 pages) (Year: 2018).*

Kabuki brush shown in article entitled, “Makeup Applicators for Your Face,” by Kristie Burnett [on-line]. Available at least as early as Feb. 20, 2013; retrieved from the Internet Feb. 19, 2018. URL: <<http://www.blushingbasics.com/2013/02/makeup-applicators-for-your-face.html?m=1>>. (3 pages) (Year: 2013).*

B05 Kabuki Brush—PowderBleu | Real Techniques [on-line]. First available date unknown; retrieved from the Internet Jan. 8, 2018. URL: <<https://realtechniques.com/b05-soft-kabuki-brush/p/1729>>. (5 pages) (Year: 2018).*

Tapered kabuki foundation brush by Shany Cosmetics [on-line]. Available on the Internet as early as Oct. 31, 2015; retrieved from Internet Feb. 19, 2018. URL: <<https://web.archive.org/web/20151031233525/https://shanycosmetics.com/tapered-kabuki-foundation-brush>>. (5 pages) (Year: 2015).*

“Ecotools Facial Cleansing Brush,” Youtube.com, Jan. 5, 2017, 7 pages.

“EcoTools, Facial Cleansing Brush, 1 Brush,” iHerb.com, May 14, 2018, 10 pages. [URL] https://www.iherb.com/pr/EcoTools-Facial-Cleansing_Brush-1-Brush/72106.

* cited by examiner

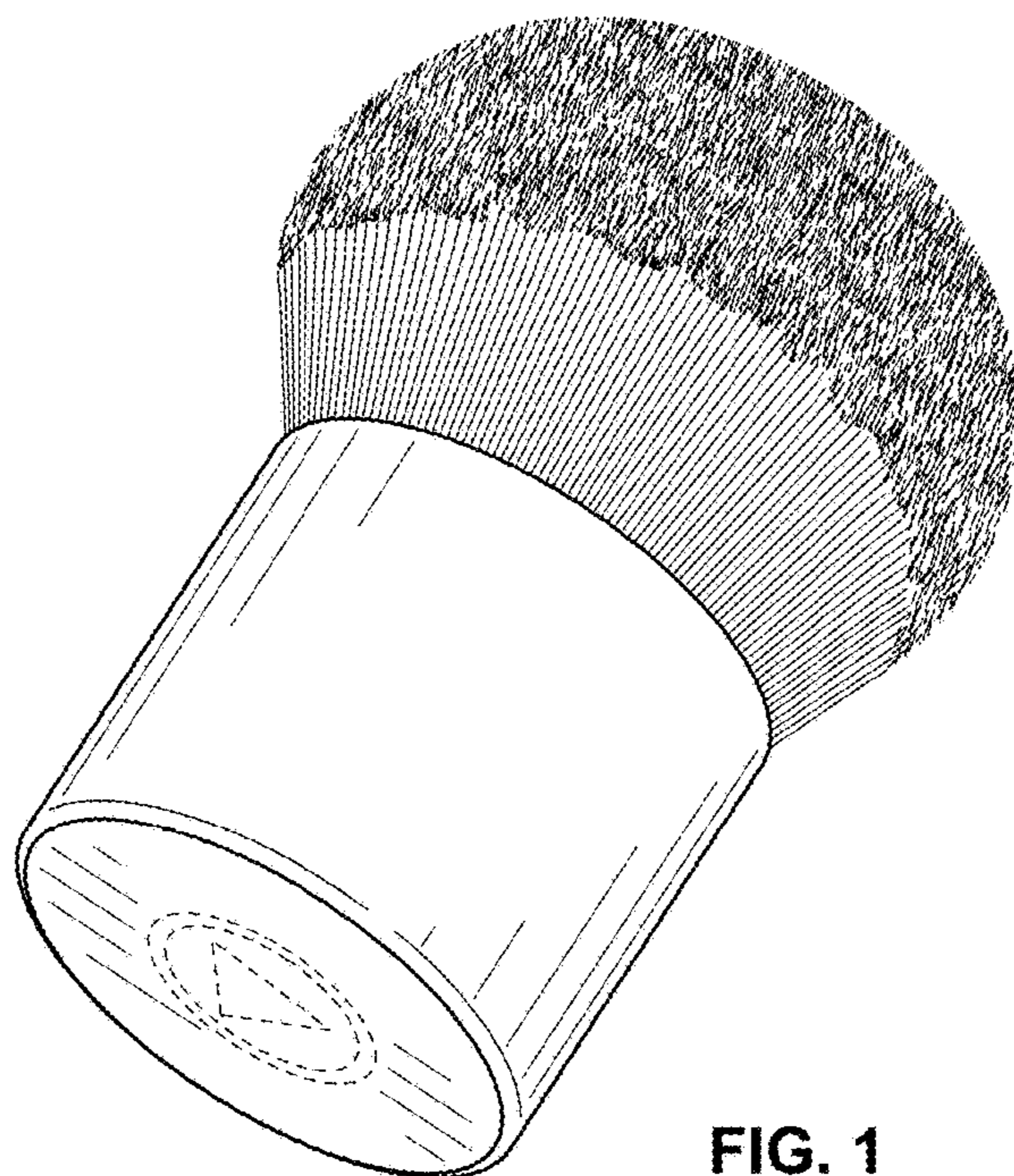


FIG. 1

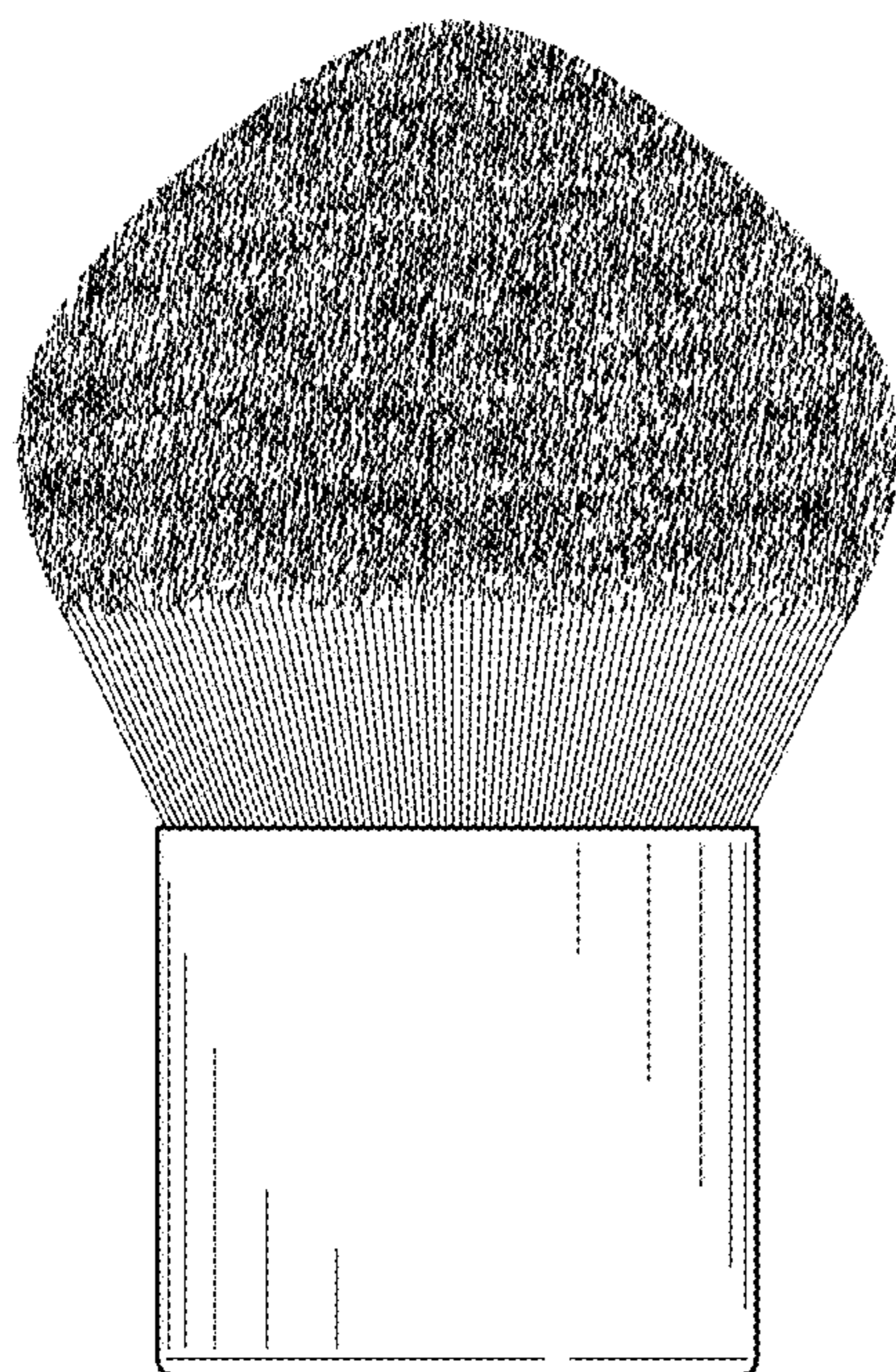


FIG. 2

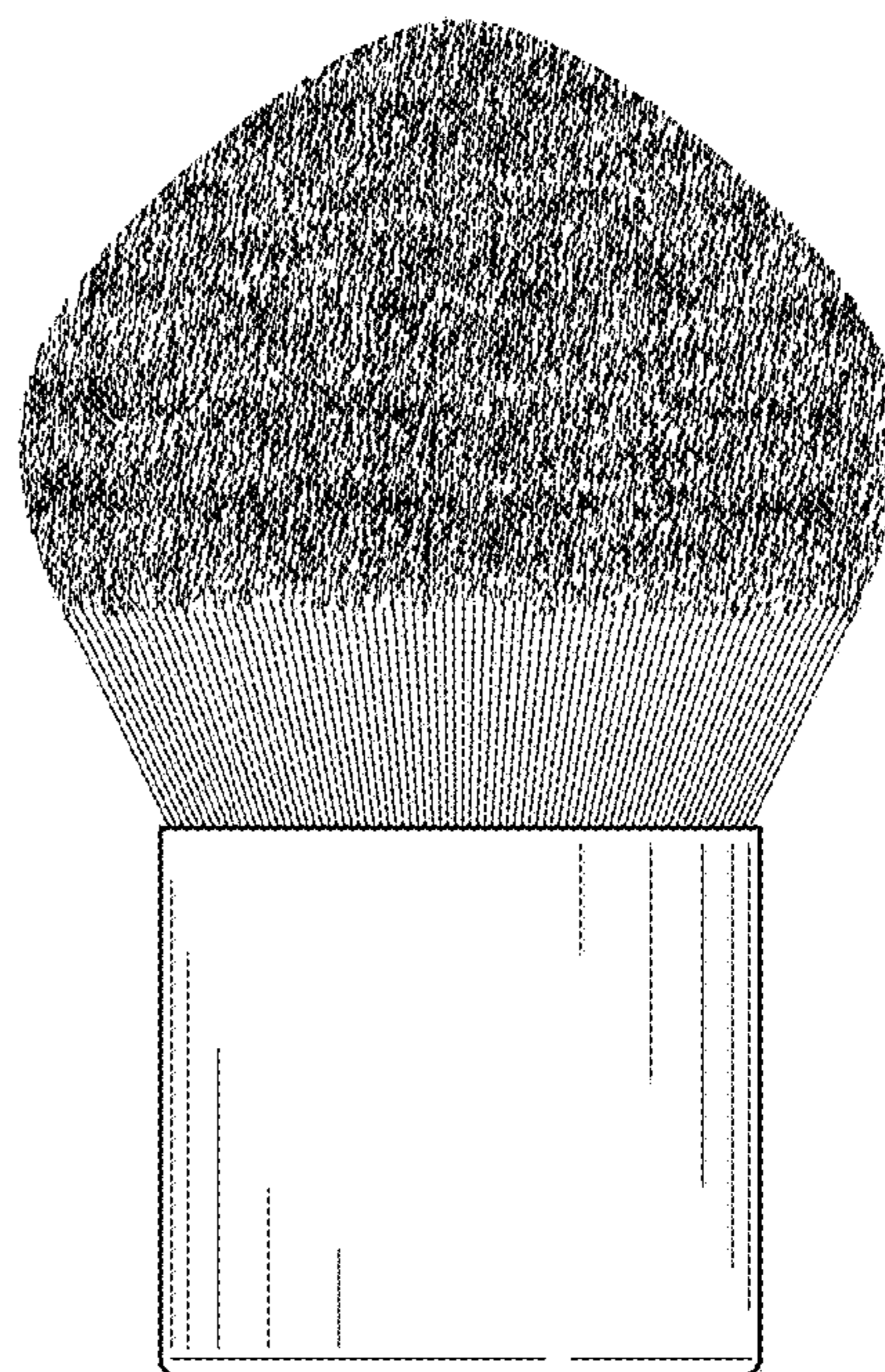


FIG. 3

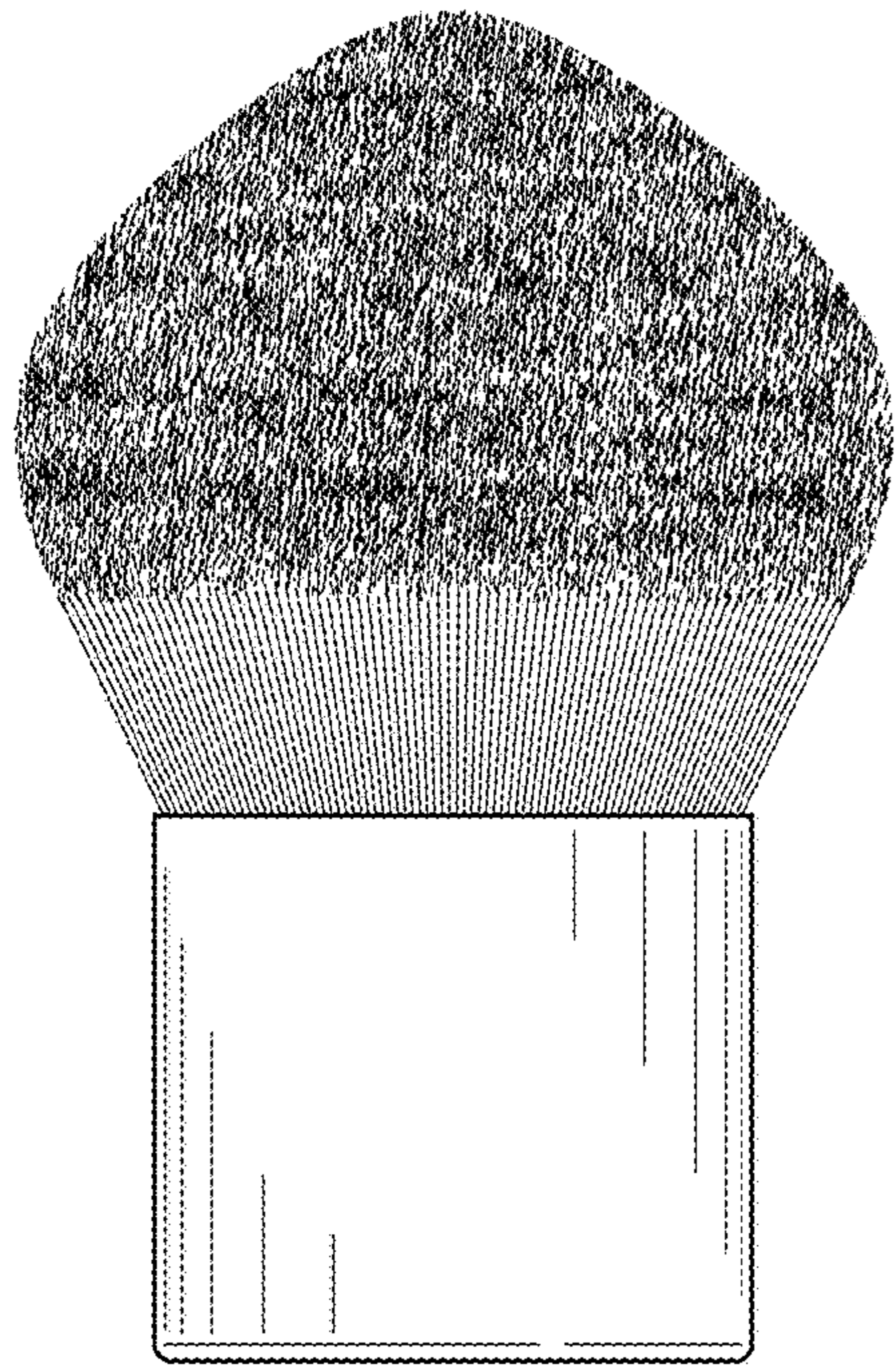


FIG. 4

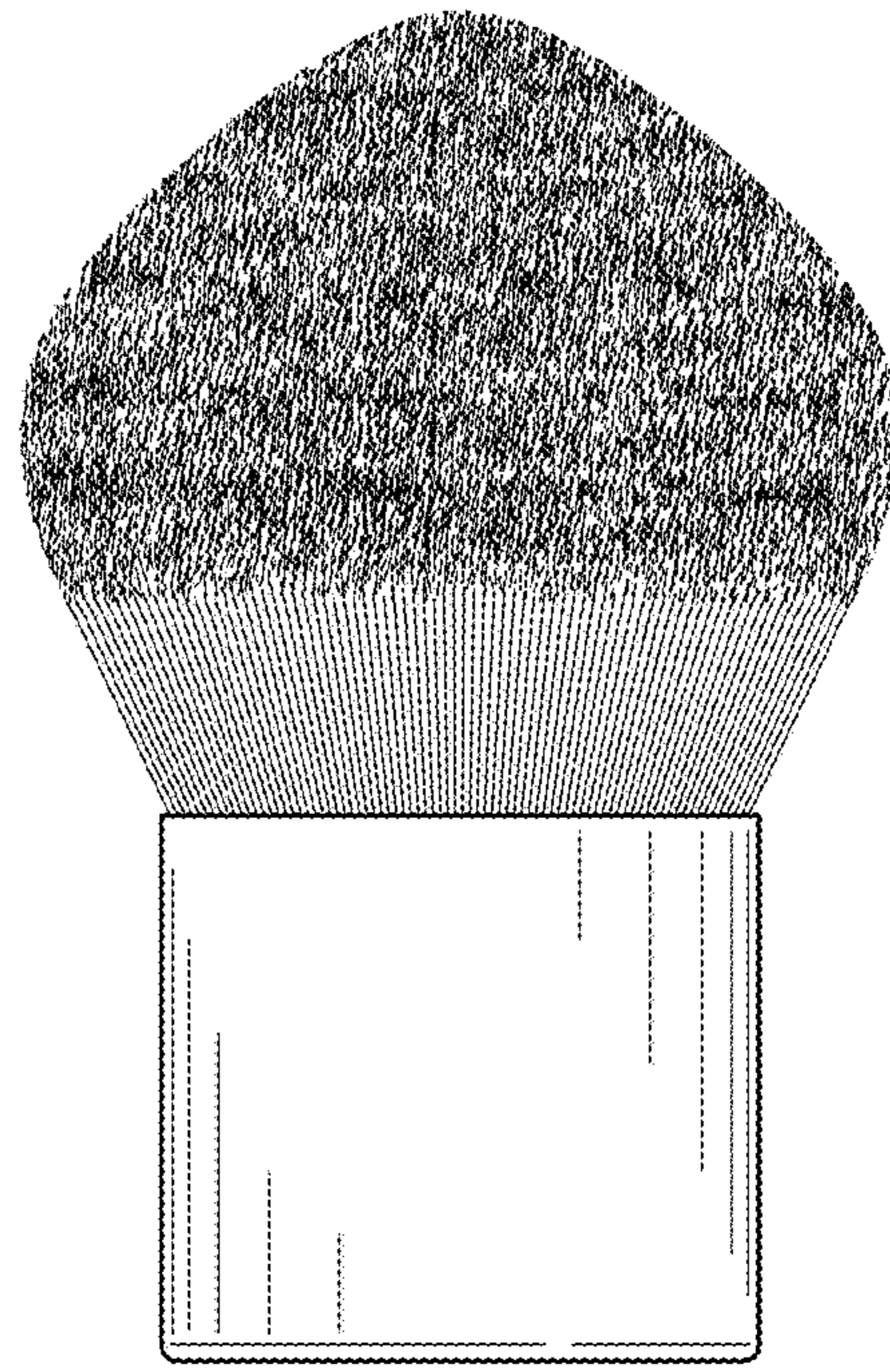


FIG. 5

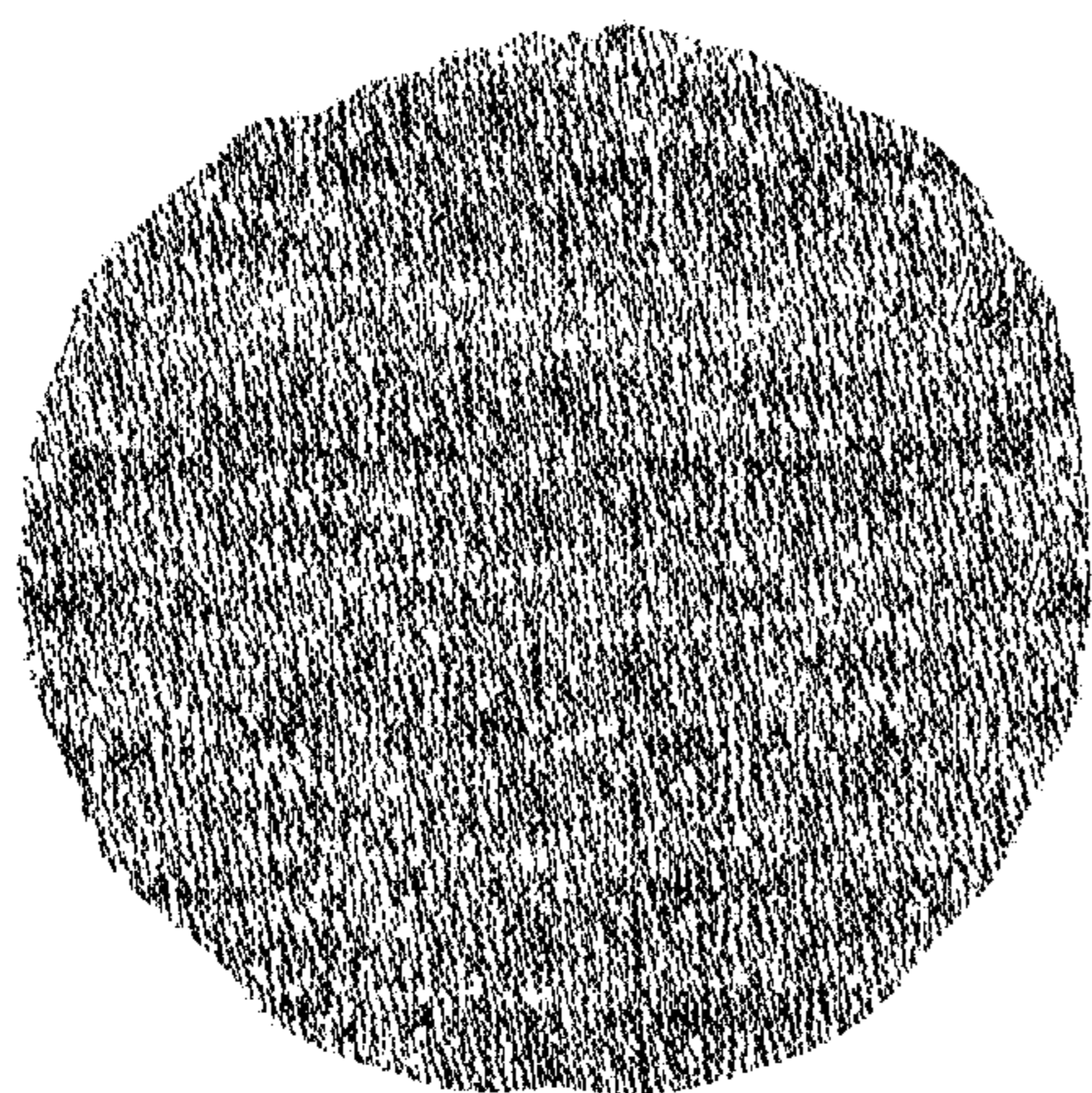


FIG. 6

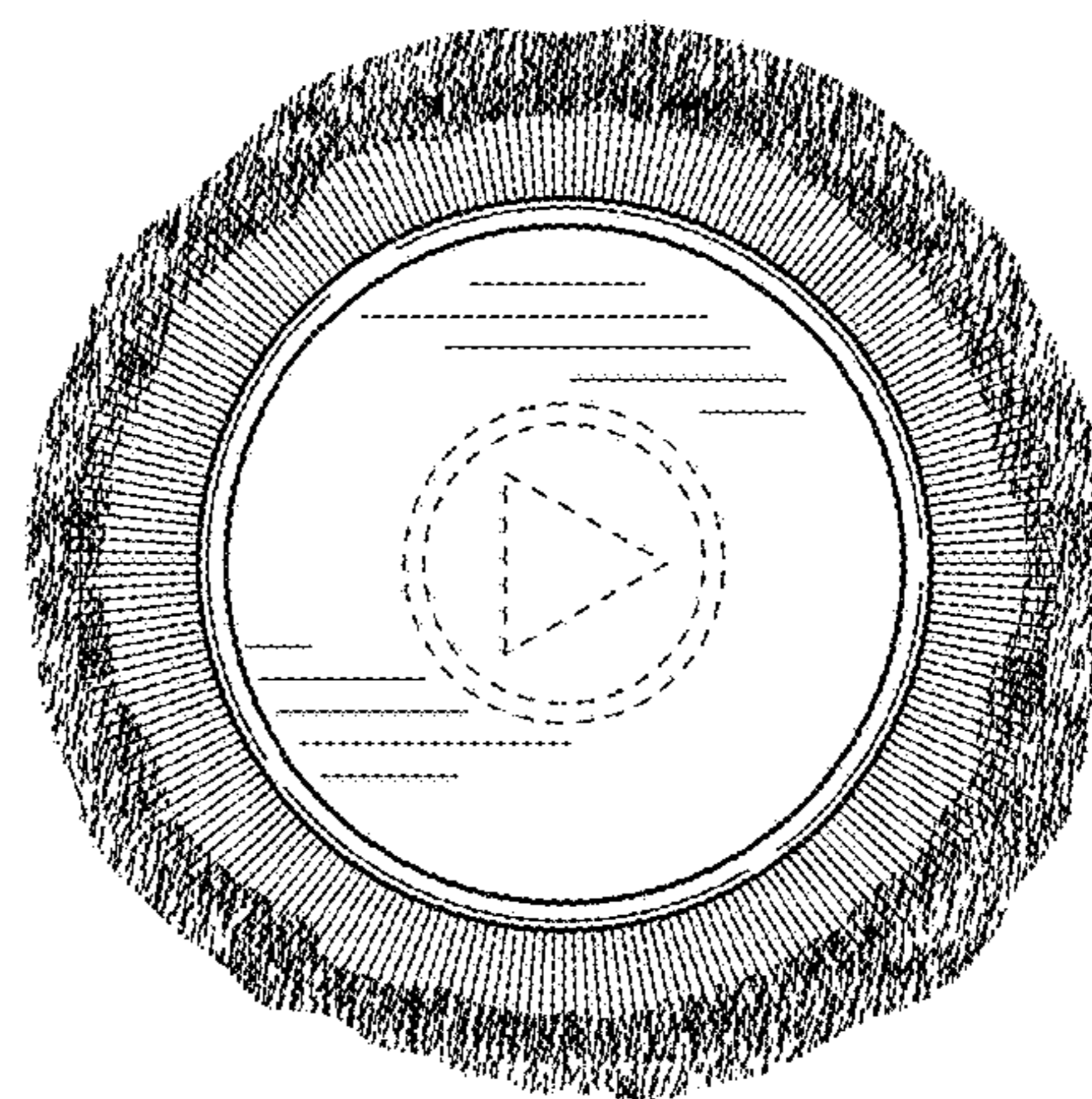


FIG. 7