



US00D823604S

(12) **United States Design Patent** (10) **Patent No.:** **US D823,604 S**  
**Pham** (45) **Date of Patent:** **\*\* Jul. 24, 2018**

(54) **HAIR BRUSH WITH DYE APPLICATOR**

(71) Applicant: **Nghe Pham**, Kenner, LA (US)

(72) Inventor: **Nghe Pham**, Kenner, LA (US)

(\*\*) Term: **15 Years**

(21) Appl. No.: **29/578,456**

(22) Filed: **Sep. 21, 2016**

(51) **LOC (11) Cl.** ..... **04-01**

(52) **U.S. Cl.**  
USPC ..... **D4/114**

(58) **Field of Classification Search**  
USPC ..... D4/108, 123-124, 127-128, 130, 131,  
D4/138; D23/223-227; D24/200;  
D3/200; D7/665; D6/551; D19/125;  
D32/19-20, 40-53; D13/108; 15/159.1,  
15/160, 168, 186-188, 192  
CPC ..... A45D 19/02; A45D 24/22; A46B 11/00;  
A46B 9/00; A46B 5/00; A61H 2201/105;  
A46D 1/02  
See application file for complete search history.

(56) **References Cited**

**U.S. PATENT DOCUMENTS**

- 3,516,424 A \* 6/1970 Eagle ..... A46B 11/0017  
132/148
- D263,364 S \* 3/1982 Bruno ..... D32/48
- D279,648 S \* 7/1985 Fini ..... 401/137
- D303,861 S \* 10/1989 Chen ..... D32/48
- D363,608 S \* 10/1995 Lessmann ..... D32/42
- D380,089 S \* 6/1997 Bartel ..... D4/114
- D449,739 S \* 10/2001 Gringer ..... D4/118
- 6,367,421 B1 \* 4/2002 Deacon ..... A01K 13/002  
119/603
- D555,363 S \* 11/2007 Arvinte ..... D4/134

- D557,506 S \* 12/2007 Gaiti ..... D4/114
- D572,008 S \* 7/2008 Abe ..... D4/115
- D609,015 S \* 2/2010 Borovicka ..... D4/138
- D652,218 S \* 1/2012 Hoffelner ..... D4/118
- D656,318 S \* 3/2012 Zoghbi ..... D4/104
- D664,363 S \* 7/2012 Rothman ..... D4/118
- D666,007 S \* 8/2012 Harris ..... D4/114
- D673,372 S \* 1/2013 Wales ..... D4/114
- D698,155 S \* 1/2014 Campbell ..... D4/100
- D711,110 S \* 8/2014 Gonzalez ..... D4/138
- D720,106 S \* 12/2014 Zemel ..... D32/40
- D739,659 S \* 9/2015 Sun ..... D4/114
- D770,777 S \* 11/2016 Weeks ..... D4/115
- 2016/0066673 A1 \* 3/2016 Pham ..... A45D 19/02  
401/291

\* cited by examiner

*Primary Examiner* — Barbara G Fox  
*Assistant Examiner* — Mehri F Bajoul  
(74) *Attorney, Agent, or Firm* — Gulf Coast Intellectual Property Group

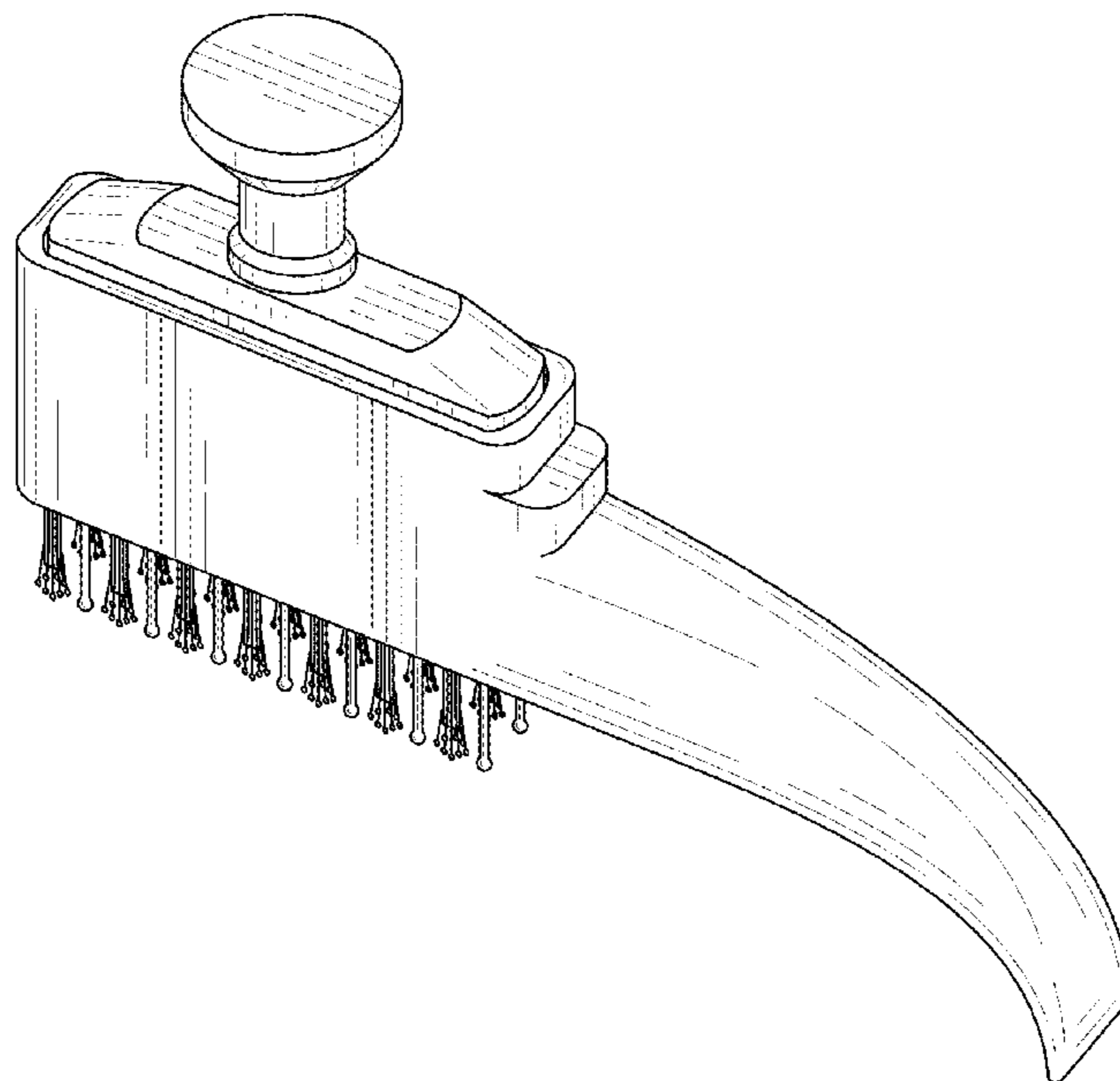
(57) **CLAIM**

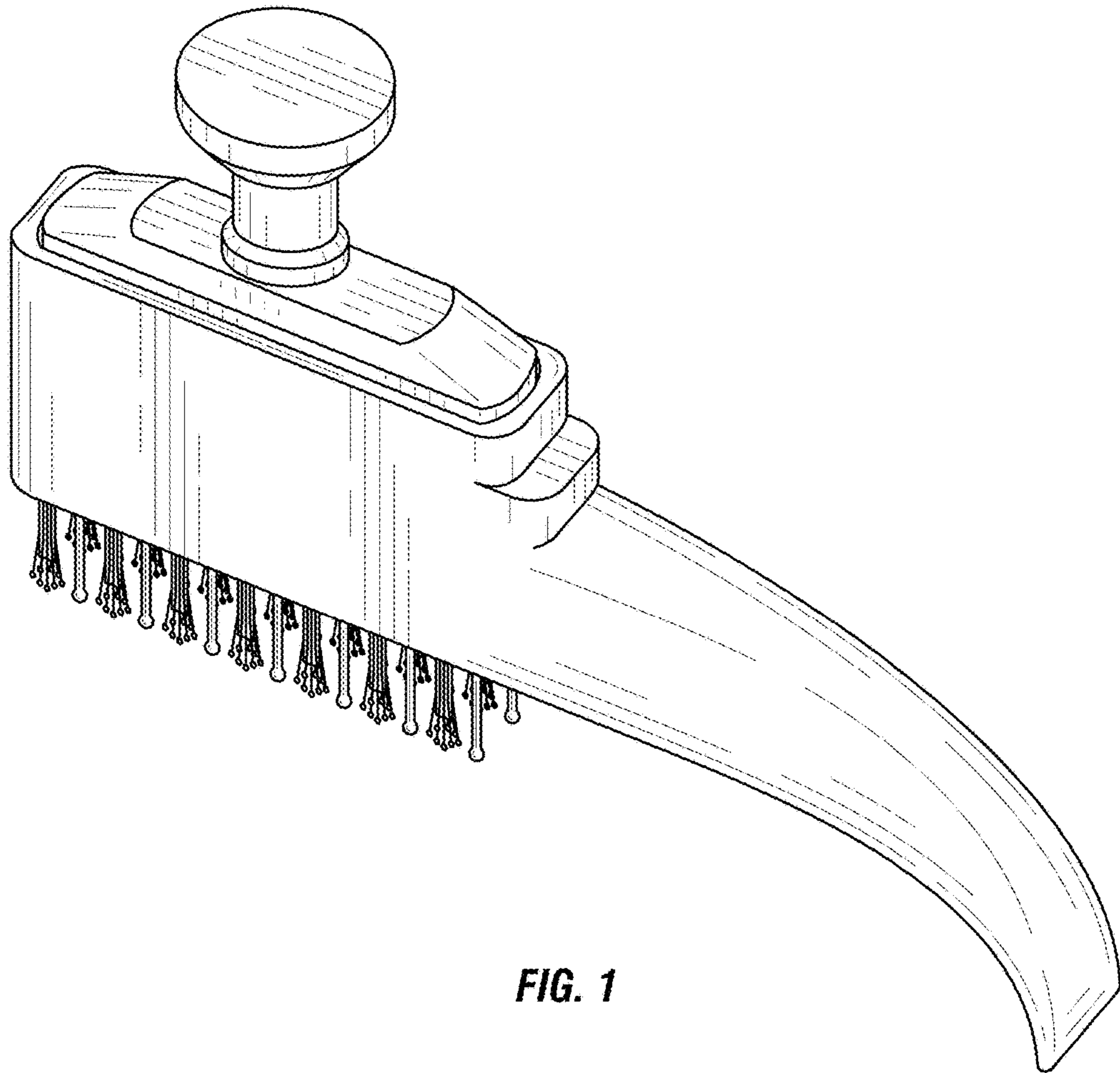
The ornamental design for a hair brush with dye applicator, as shown and described.

**DESCRIPTION**

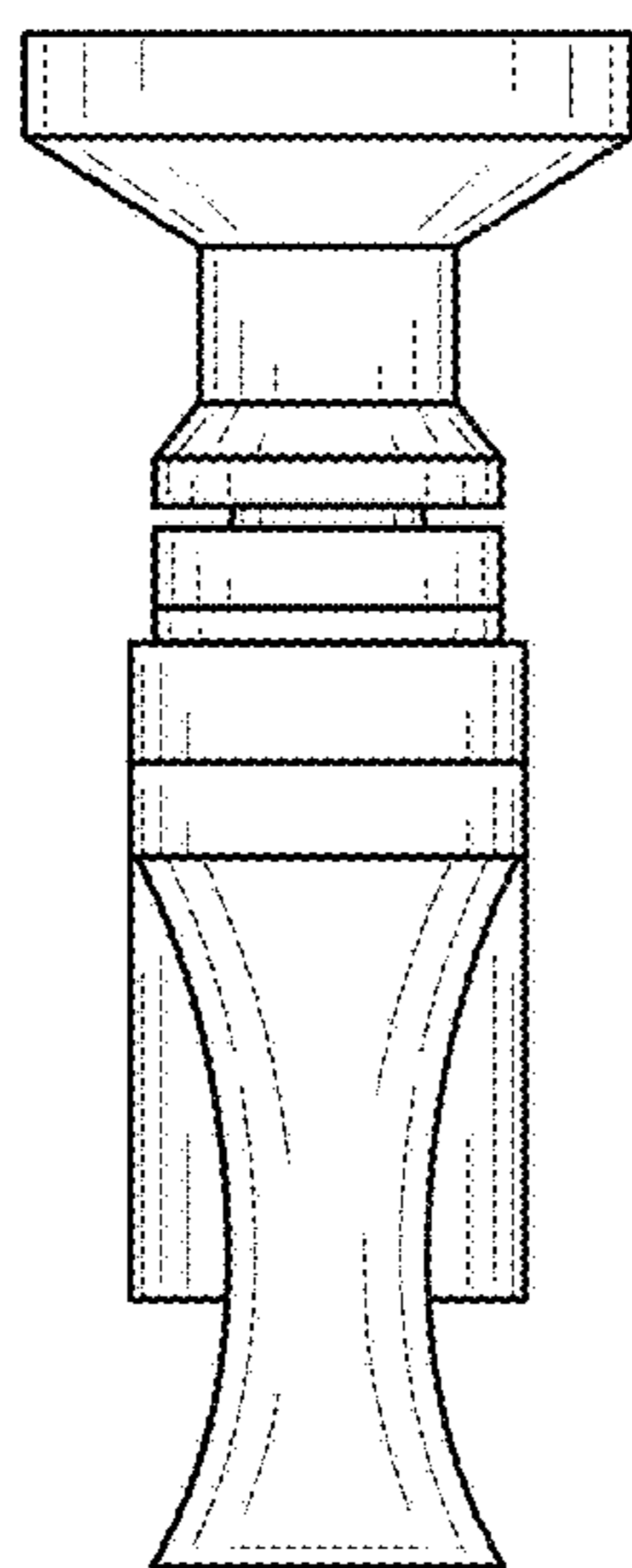
FIG. 1 is a perspective view of a hair brush with dye applicator showing the new design; and FIG. 2 is a front elevational view thereof; and FIG. 3 is top view thereof; and FIG. 4 is a bottom view thereof; and FIG. 5 is a right side view thereof; and, FIG. 6 is a left side view thereof.

**1 Claim, 3 Drawing Sheets**

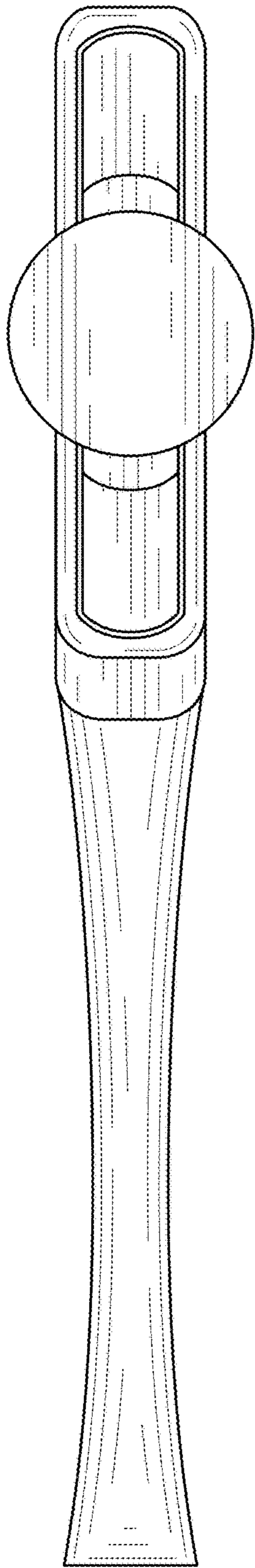




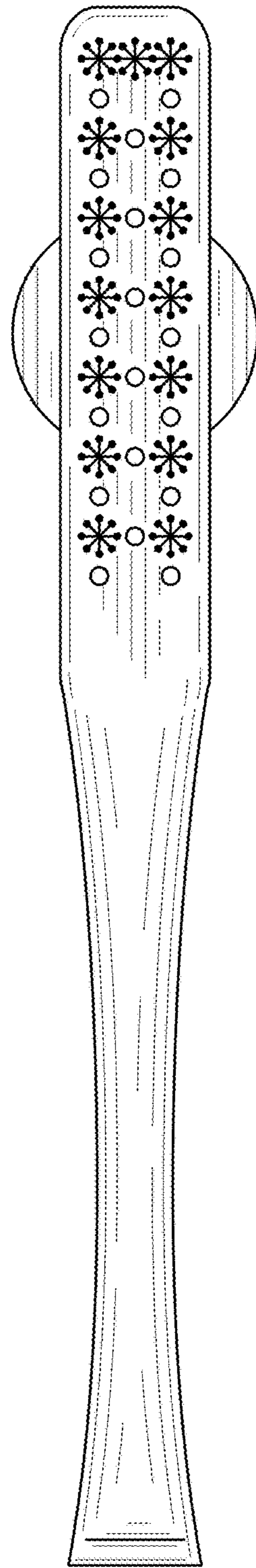
**FIG. 1**



**FIG. 2**



**FIG. 3**



**FIG. 4**

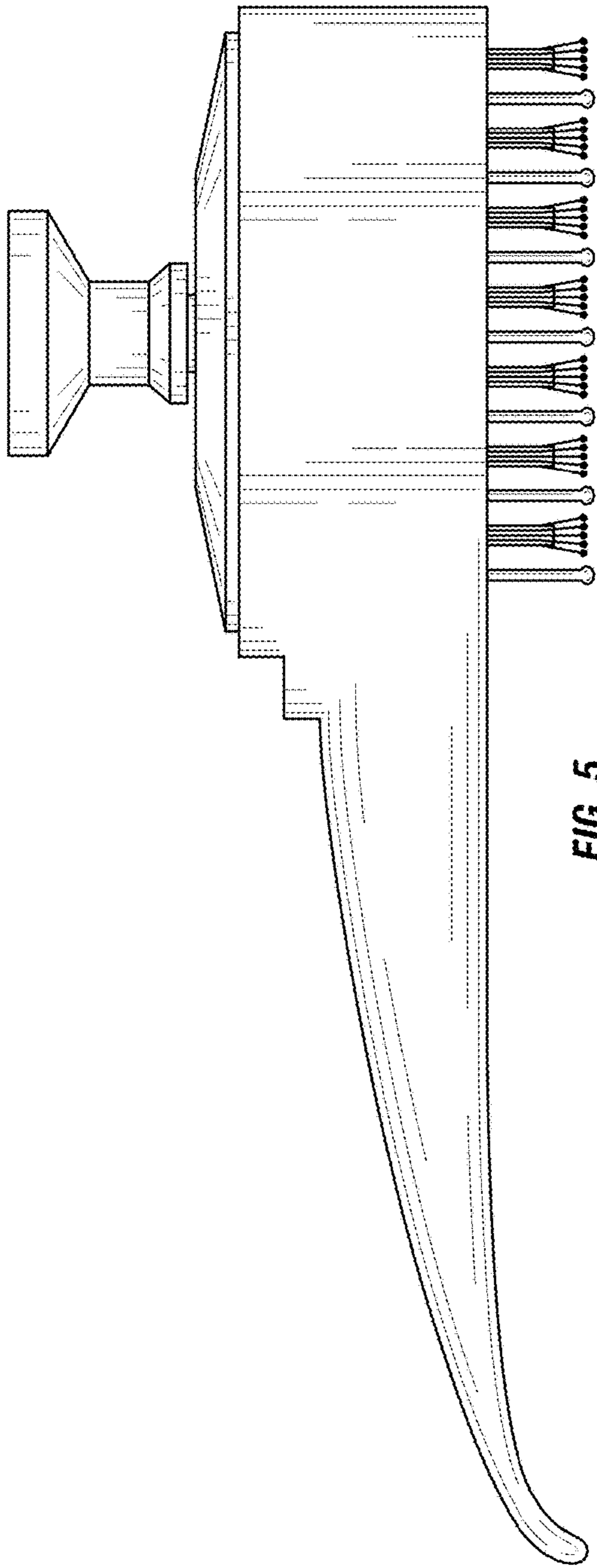


FIG. 5

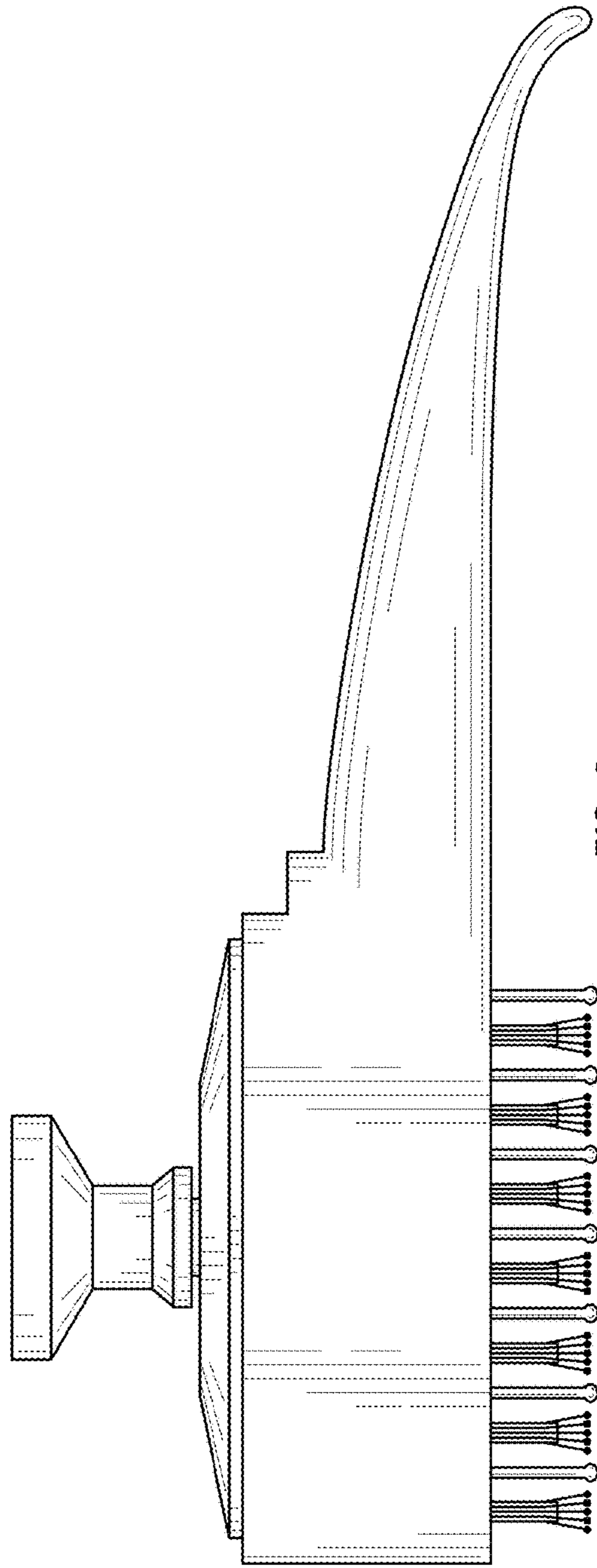


FIG. 6