



US00D823603S

(12) **United States Design Patent**
Ballard

(10) **Patent No.:** **US D823,603 S**

(45) **Date of Patent:** **** Jul. 24, 2018**

- (54) **SCRUB BRUSH**
- (71) Applicant: **Charles R. Ballard**, Azle, TX (US)
- (72) Inventor: **Charles R. Ballard**, Azle, TX (US)
- (**) Term: **15 Years**
- (21) Appl. No.: **29/565,182**
- (22) Filed: **May 18, 2016**
- (51) **LOC (11) Cl.** **04-02**
- (52) **U.S. Cl.**
USPC **D4/102**
- (58) **Field of Classification Search**
USPC D4/100, 102, 114, 127, 128, 130, 132,
D4/133, 134, 138, 199, 121, 131;
D28/63; D32/40
CPC A46B 13/001; A46B 13/02; A46B 3/00;
A46B 5/02; A46B 5/021; A46B 5/0083;
A46B 7/08; A46B 7/10; A46B 2200/304;
A46B 2200/3013; A46B 2200/3006;
A47K 7/04; A47K 7/043; A61H
2201/1671
See application file for complete search history.

(56) **References Cited**

U.S. PATENT DOCUMENTS

D173,852 S *	1/1955	Pope	D4/131
3,387,312 A *	6/1968	Westphal	A47K 11/10 15/97.1
3,599,263 A *	8/1971	Cheiten	A47K 11/10 15/111
4,217,671 A	8/1980	Rand		
4,254,526 A	3/1981	Fromm		
4,397,056 A	8/1983	Miller		
D281,743 S *	12/1985	Thompson	D4/121
4,724,563 A	2/1988	Fry et al.		
5,978,999 A	11/1999	deBlois et al.		
6,170,107 B1	1/2001	George		
7,003,843 B1 *	2/2006	Moore	A46B 11/0006 15/24

7,469,703 B2	12/2008	France et al.		
7,473,046 B2 *	1/2009	Kraus	A46B 5/00 15/114
D658,388 S *	5/2012	Persson	D4/131
D685,152 S *	6/2013	Smith	D32/40
9,113,758 B1 *	8/2015	O'Brien	A47K 11/10
D743,173 S *	11/2015	Sohn	D4/101
D778,057 S *	2/2017	Sohn	D4/101
9,682,408 B2 *	6/2017	Thompson	B08B 1/006
2005/0158116 A1 *	7/2005	Belansky	A46B 11/001 401/270
2008/0052855 A1 *	3/2008	Yang	A46B 3/16 15/171

(Continued)

OTHER PUBLICATIONS

Quickie Tub 'n Tile Power Scrubber [on-line]. Reviews dating from as early as 2013; retrieved from the Internet Oct. 1, 2017. URL: <<https://www.amazon.com/Quickie-Tub-Tile-Power-Scrubber/dp/B008YRJGBU>>. (13 pages) (Year: 2013).*

(Continued)

Primary Examiner — Karen E Eldridge Powers
(74) *Attorney, Agent, or Firm* — Cramer Patent & Design, PLLC; Aaron R. Cramer

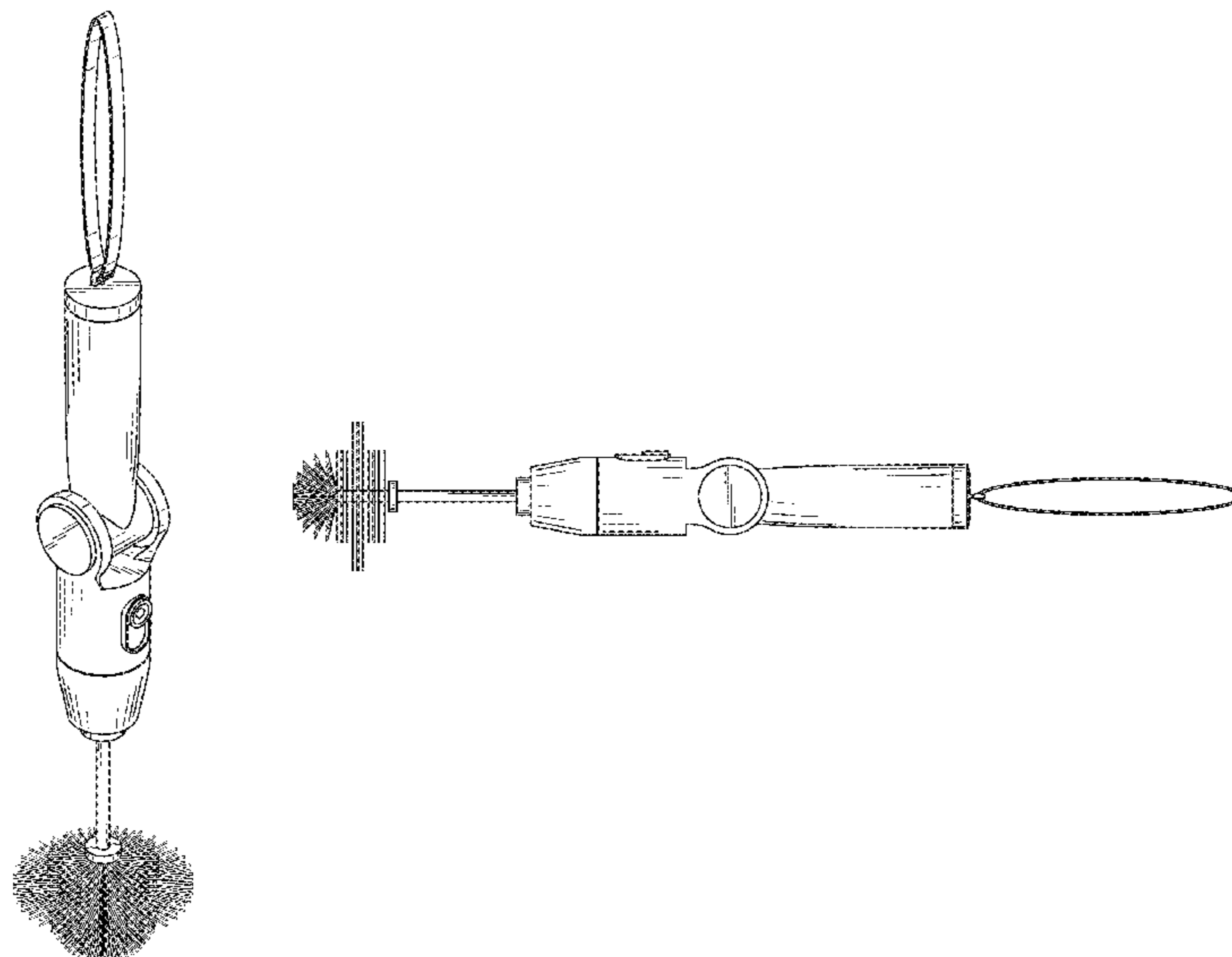
(57) **CLAIM**

The ornamental design for a scrub brush, as shown and described.

DESCRIPTION

FIG. 1 is a front right side perspective view of the scrub brush showing my new design;
FIG. 2 is a bottom plan view thereof;
FIG. 3 is a top plan view thereof;
FIG. 4 is a front elevation view with the back elevation view being a mirror image thereof;
FIG. 5 is a right side elevation view thereof; and,
FIG. 6 is a left side elevation view thereof.

1 Claim, 5 Drawing Sheets



(56)

References Cited

U.S. PATENT DOCUMENTS

2013/0036542 A1* 2/2013 Loughman A47K 11/10
4/255.11
2013/0204278 A1* 8/2013 Cully A46B 3/18
606/159
2016/0029859 A1* 2/2016 Harrington A46B 5/02
15/143.1
2017/0202411 A1* 7/2017 Bouton A47K 11/10

OTHER PUBLICATIONS

Shower, Tub, and Tile Power Scrubber Brush [Health and Beauty].
Product Listing [online]. Drillbrush, 2016 [retrieved on Mar. 8,
2016]. Retrieved from the Internet: [http://www.awardpedia.com/
shower-tub-and-tile-power-scrubber-brush-home-garden](http://www.awardpedia.com/shower-tub-and-tile-power-scrubber-brush-home-garden).
Electric Toilet Brush Product Listing [online]. Shenzhen Unite
Fortune Development Co., Ltd, 2016 [retrieved on Mar. 8, 2016].
Retrieved from the Internet: [http://webcache.googleusercontent.
com/search?q=cache:wh5CUtB78DMJ: www.imexbb.com/elec-
tric-toilet-brush-11681609.htm+&cd=1&hl=en&ct=clnk&gl=us](http://webcache.googleusercontent.com/search?q=cache:wh5CUtB78DMJ:www.imexbb.com/electric-toilet-brush-11681609.htm+&cd=1&hl=en&ct=clnk&gl=us).

* cited by examiner

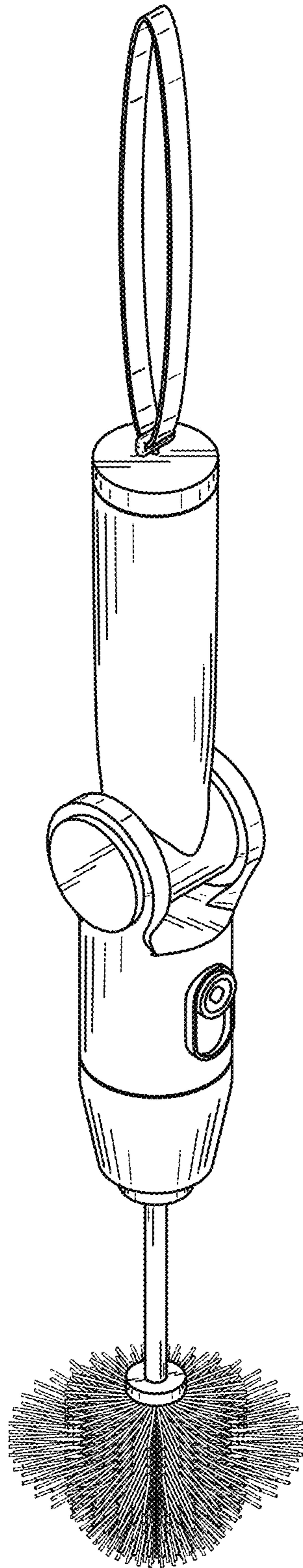


FIG. 1

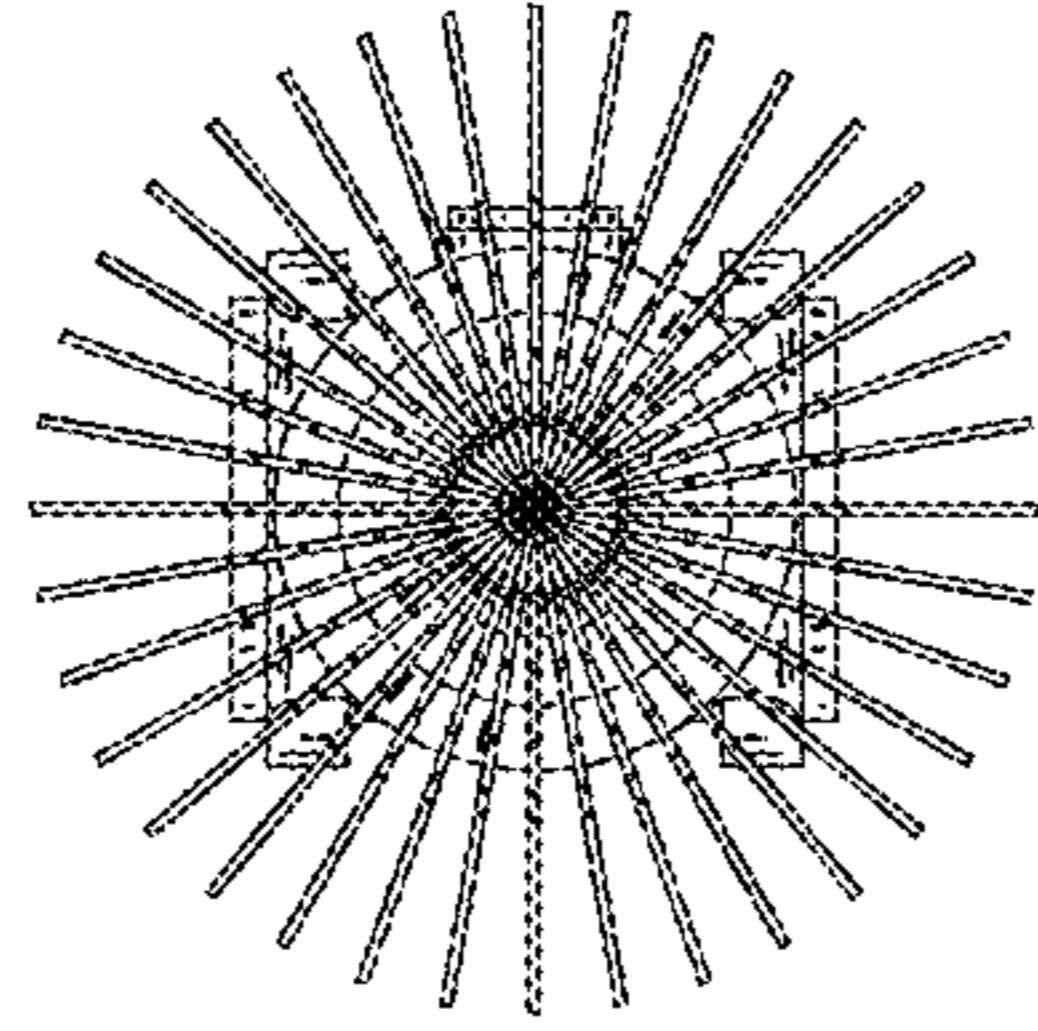


FIG. 2

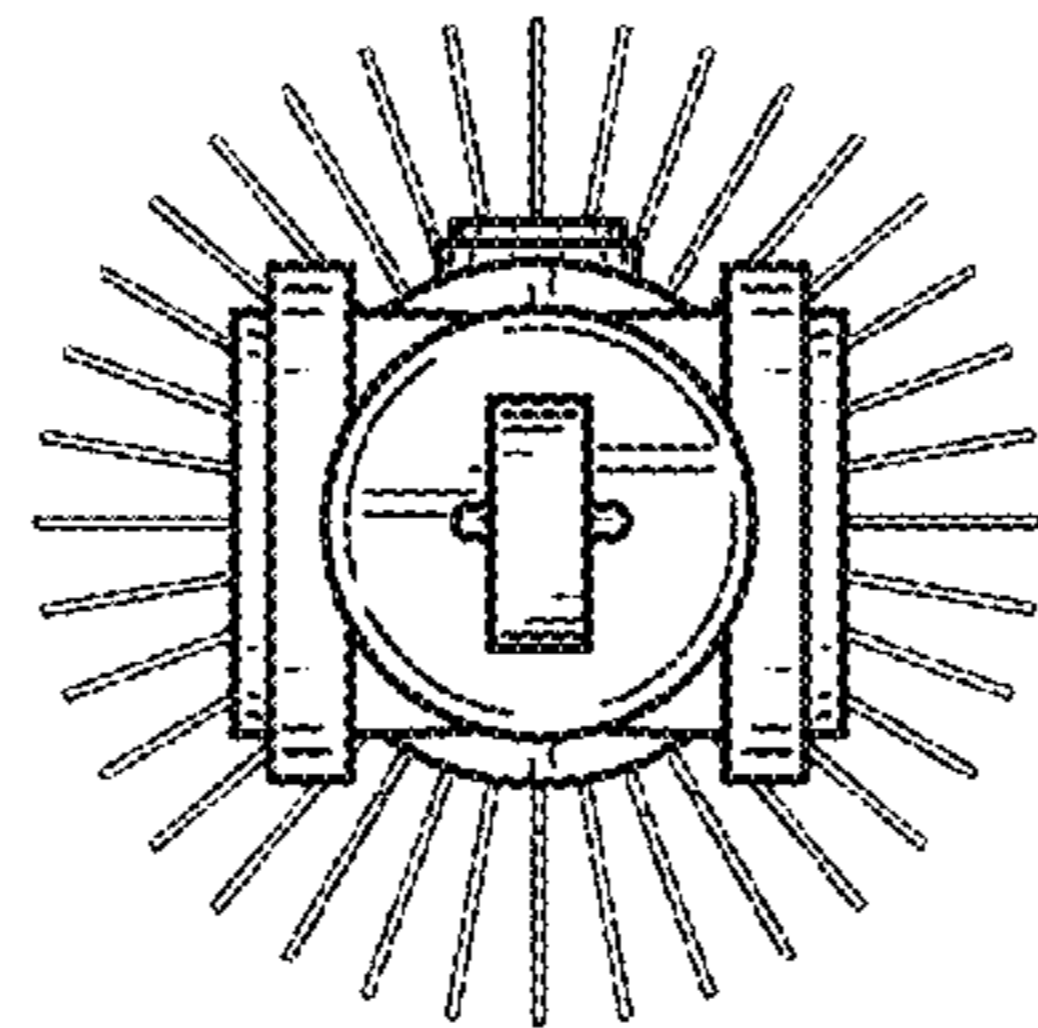


FIG. 3

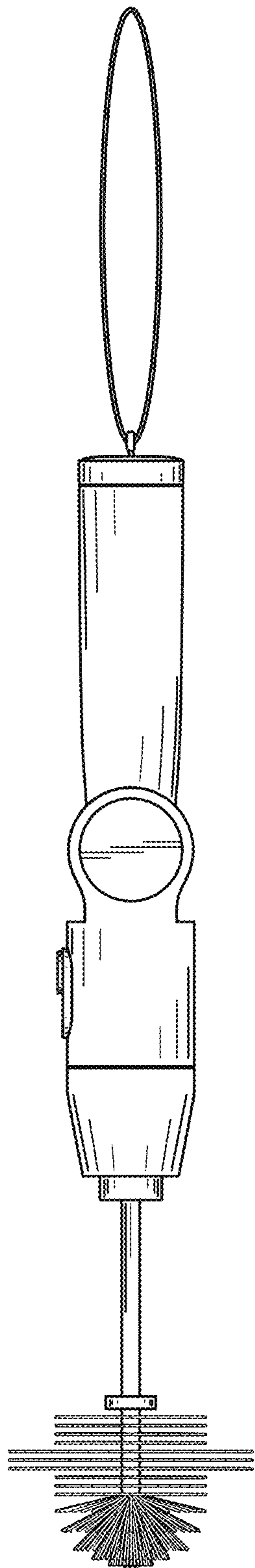


FIG. 4

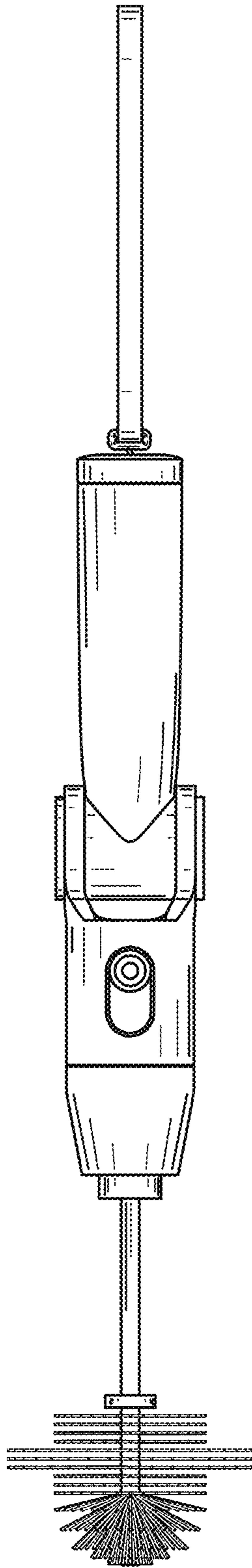


FIG. 5

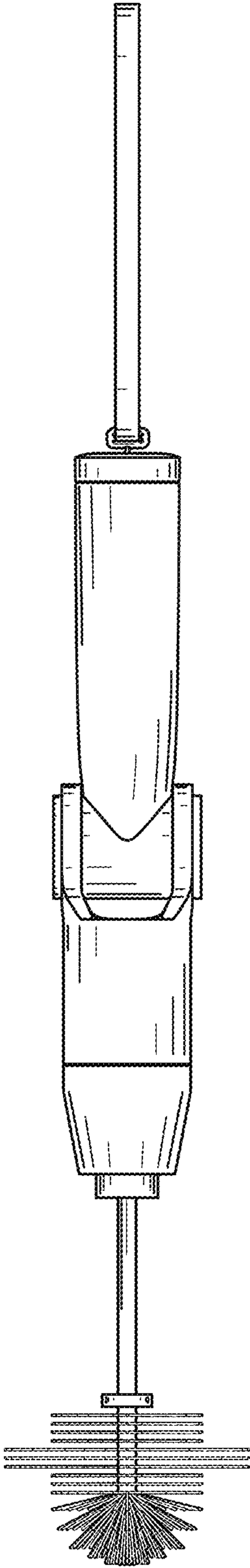


FIG. 6