



US00D823601S

(12) **United States Design Patent** (10) **Patent No.:** **US D823,601 S**
Seiders et al. (45) **Date of Patent:** **** Jul. 24, 2018**

(54) **BAG**
(71) Applicant: **YETI Coolers, LLC**, Austin, TX (US)
(72) Inventors: **Roy Joseph Seiders**, Austin, TX (US);
Dustin Bullock, Austin, TX (US)
(73) Assignee: **YETI Coolers, LLC**, Austin, TX (US)
(**) Term: **15 Years**

6,409,066 B1 6/2002 Schneider et al.
6,640,856 B1 11/2003 Tucker
D491,354 S 6/2004 Chapelier
(Continued)

FOREIGN PATENT DOCUMENTS

CA 2483802 A1 4/2006
CA 2499291 A1 9/2006
(Continued)

(21) Appl. No.: **29/595,111**

OTHER PUBLICATIONS

(22) Filed: **Feb. 24, 2017**
(51) **LOC (11) Cl.** **03-01**
(52) **U.S. Cl.**
USPC **D3/318**
(58) **Field of Classification Search**
USPC D3/232-233, 240-243, 245-246
CPC A45C 1/024; A45C 3/06
See application file for complete search history.

Reusable Shopping Bag, ADK Packworks™ The Packbasket™
Reusable Shopping Bag, [retrieved Jun. 13, 2017], Date unknown
but at least as early as Jun. 13, 2017.
(Continued)

Primary Examiner — Holly H Baynham
(74) *Attorney, Agent, or Firm* — Banner & Witcoff, Ltd.

(57) **CLAIM**
The ornamental design for a bag, as shown and described.

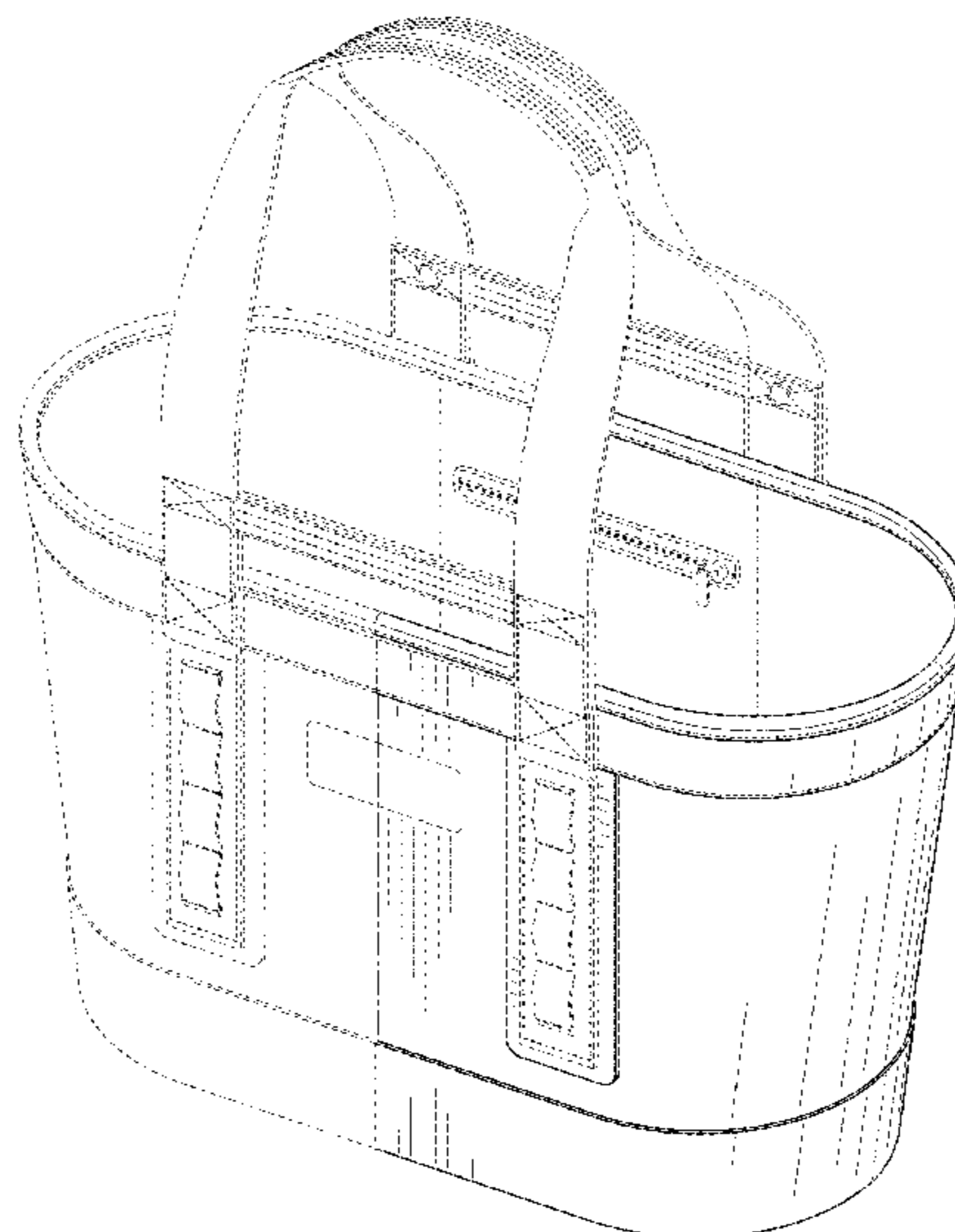
(56) **References Cited**
U.S. PATENT DOCUMENTS

DESCRIPTION

1,113,757 A	10/1914	Crutcher et al.
1,378,928 A	5/1921	Witzel
1,386,557 A	8/1921	Colling et al.
2,188,899 A	2/1940	Hebbard et al.
2,483,802 A	10/1949	Bradley
2,499,291 A	2/1950	Baumann
2,548,064 A	4/1951	Reinhart
2,575,191 A	11/1951	Seipp
4,116,253 A	9/1978	Watsky
4,211,091 A	7/1980	Campbell
D281,546 S	12/1985	Bradshaw
4,723,300 A	2/1988	Aranow
4,812,054 A	3/1989	Kirkendall
4,961,522 A	10/1990	Weber
5,490,396 A	2/1996	Morris
5,507,542 A	4/1996	Eden
5,813,445 A	9/1998	Christman
5,848,734 A	12/1998	Melk

FIG. 1 is a top, front, right perspective view of a bag showing our new design;
FIG. 2 is a front view thereof;
FIG. 3 is a right side view thereof;
FIG. 4 is a rear view thereof;
FIG. 5 is a left side view thereof;
FIG. 6 is a top view thereof; and,
FIG. 7 is a bottom view thereof.
The even-length broken lines within the shaded area represent stitching. The uneven-length broken lines represent unclaimed boundaries of the claimed design. The even-length broken lines showing the remainder of the bag represent unclaimed subject matter and form no part of the claimed design.

1 Claim, 5 Drawing Sheets



(56)

References Cited

U.S. PATENT DOCUMENTS

6,810,933 B2 11/2004 Gordon et al.
 7,071,150 B2 7/2006 Liu
 7,073,942 B2 7/2006 Vazquez
 D526,120 S 8/2006 Lee et al.
 D535,820 S 1/2007 Kamiya
 D536,170 S 2/2007 Elson
 D587,010 S 2/2009 Deck
 7,581,886 B2 9/2009 Nitti
 7,597,478 B2 10/2009 Pruchnicki et al.
 D603,606 S 11/2009 Wang
 7,682,080 B2 3/2010 Mogil
 D617,553 S 6/2010 Shaw
 7,762,294 B2 7/2010 Wang
 D621,609 S 8/2010 Hasty
 D629,612 S 12/2010 Weldon
 D630,844 S 1/2011 Wang et al.
 D632,074 S 2/2011 Chan et al.
 D637,809 S * 5/2011 Meldeau D3/232
 D651,397 S 1/2012 Lett
 8,092,087 B2 1/2012 Simhony et al.
 8,132,601 B2 3/2012 Wang
 D663,522 S 7/2012 Schiffman
 D673,772 S 1/2013 Munson et al.
 D684,767 S 6/2013 Gerbi
 D690,100 S 9/2013 Affaks
 D695,568 S 12/2013 Hayes
 D701,041 S 3/2014 Burnett
 D711,096 S 8/2014 Hanna
 D711,098 S 8/2014 Rossignuolo
 D711,100 S 8/2014 Dingizian
 D717,041 S 11/2014 Pulliam
 D732,348 S 6/2015 Seiders et al.
 D732,349 S 6/2015 Seiders et al.
 D732,350 S 6/2015 Seiders et al.
 D732,899 S 6/2015 Seiders et al.
 D739,654 S 9/2015 Brouard
 D743,699 S 11/2015 Wieden
 D745,268 S 12/2015 Slimane
 9,254,022 B2 2/2016 Meldeau et al.
 D752,347 S 3/2016 Seiders et al.
 D752,860 S 4/2016 Barilaro et al.
 9,307,814 B2 4/2016 Pulliam
 D758,717 S 6/2016 Joo et al.
 D760,494 S 7/2016 Harvey-Pankey
 D761,561 S 7/2016 Cheng
 D762,378 S 8/2016 Domotor et al.
 D763,570 S 8/2016 Potts
 D763,575 S 8/2016 Tiscareno-Rippe et al.
 D764,791 S * 8/2016 Patel D3/232
 D765,394 S 9/2016 Moore
 D768,987 S 10/2016 Blumenfeld
 D769,616 S 10/2016 Keene
 D770,759 S 11/2016 Gamble et al.
 D770,763 S 11/2016 Joo et al.
 D773,813 S 12/2016 Jakubowski
 D774,747 S 12/2016 Gamble et al.
 D778,045 S 2/2017 Ruddis
 9,578,937 B2 2/2017 Kern et al.
 D784,010 S * 4/2017 Dumas D3/232
 D787,823 S * 5/2017 Nair D3/232
 D789,082 S * 6/2017 Barilaro D3/232
 2005/0028910 A1 2/2005 Duty
 2006/0198562 A1 9/2006 Mogil
 2006/0201979 A1 9/2006 Achilles
 2010/0084443 A1 4/2010 Adelman
 2010/0200450 A1 8/2010 Weed
 2010/0282378 A1 11/2010 Scozzafava
 2011/0036473 A1 2/2011 Chan et al.

2011/0167863 A1 7/2011 Herrbold
 2011/0283519 A1 11/2011 Pranger
 2011/0311166 A1 12/2011 Pascua
 2012/0328220 A1 12/2012 Kayata
 2014/0369629 A1 12/2014 De La Fuente Lara
 2015/0225164 A1 8/2015 Seiders et al.
 2015/0265020 A1 9/2015 McCue et al.
 2016/0338462 A1 11/2016 Hayashi
 2017/0017596 A1 1/2017 Suping

FOREIGN PATENT DOCUMENTS

CA 2548064 A1 11/2007
 CN 2188899 Y 2/1995
 CN 1378928 A 11/2002
 CN 302137314 10/2012
 CN 302868215 7/2014
 CN 302877656 7/2014
 EM 000122668-0002 5/2004
 EM 001067250-0003 2/2009
 EM 001188460-0003 2/2010
 EM 001188460-0004 2/2010
 EM 001909490-0001 8/2011
 EM 001952722-0008 11/2011
 EM 002073452-0001 8/2012
 EM 002085308-0003 8/2012
 EM 002163527-0017 1/2013
 EM 002225706-0001 5/2013
 EM 002262436-0001 7/2013
 EM 002264697-0002 7/2013
 EM 002284729-0004 8/2013
 EM 002476853-0001 6/2014
 EM 002476853-0002 6/2014
 EM 002530519-0001 9/2014
 EM 002605345-0004 12/2014
 EM 002609404-0001 1/2015
 EM 002676536-0001 6/2015
 EM 003117324-0009 5/2016
 EM 003329929-0001 8/2016
 EM 003409044-0008 10/2016
 EM 003504331-0027 12/2016
 EM 003733021-0001 2/2017
 EP 0037545 A2 10/1981
 EP 1386557 A1 2/2004
 FR 1113757 A 4/1956
 WO 07071150 A1 6/2007
 WO 17017596 A1 2/2017

OTHER PUBLICATIONS

FRAKTA Shopping bag, <http://www.ikea.com/us/en/catalog/products/17228340/>, [retrieved Jun. 13, 2017], Date unknown but at least as early as Jun. 13, 2017.
 3Pcs Eco Friendly Large Capacity Reuseable Shopping bag, <http://www.dhgate.com/product/3pcs-eco-friendly-large-capacity-reuseable/395600522.html#s2-28-1;disc%7C2511216197>, [retrieved Jun. 13, 2017], Date unknown but as early as Jun. 13, 2017.
 Wholesale Shopping Bag, <http://www.dhgate.com/product/2017-factory-wholesale-shopping-bags-polyester/394587619.html#s1-9-1;disc%7C3274647288>, [retrieved Jun. 13, 2017], Date unknown but as early as Jun. 13, 2017.
 Press Release—Portable Hopper 30 Cooler [online], [retrieved Jun. 14, 2017], Retrieved from Internet <URL: <http://yeti.com/press-releases/hopper-30>>; 2 color sheets, Dated Jul. 9, 2014.
 Yeti Reinvents the Hopper [online], [retrieved Jun. 14, 2017], Retrieved from Internet <URL: <http://yeti.com/press-releases/hopper-two-soft-cooler>>; 2 color sheets, Dated Feb. 1, 2017.

* cited by examiner

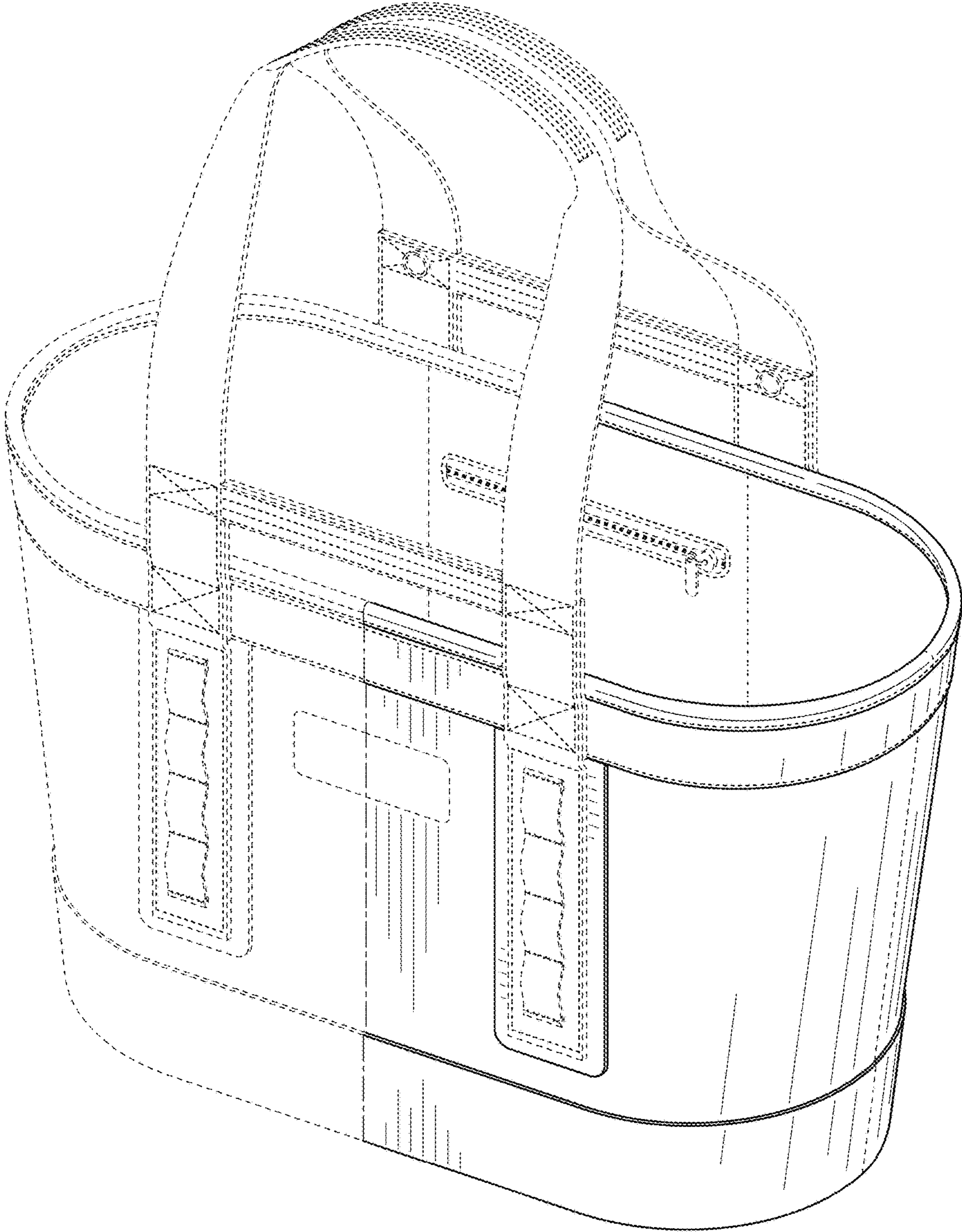


FIG. 1

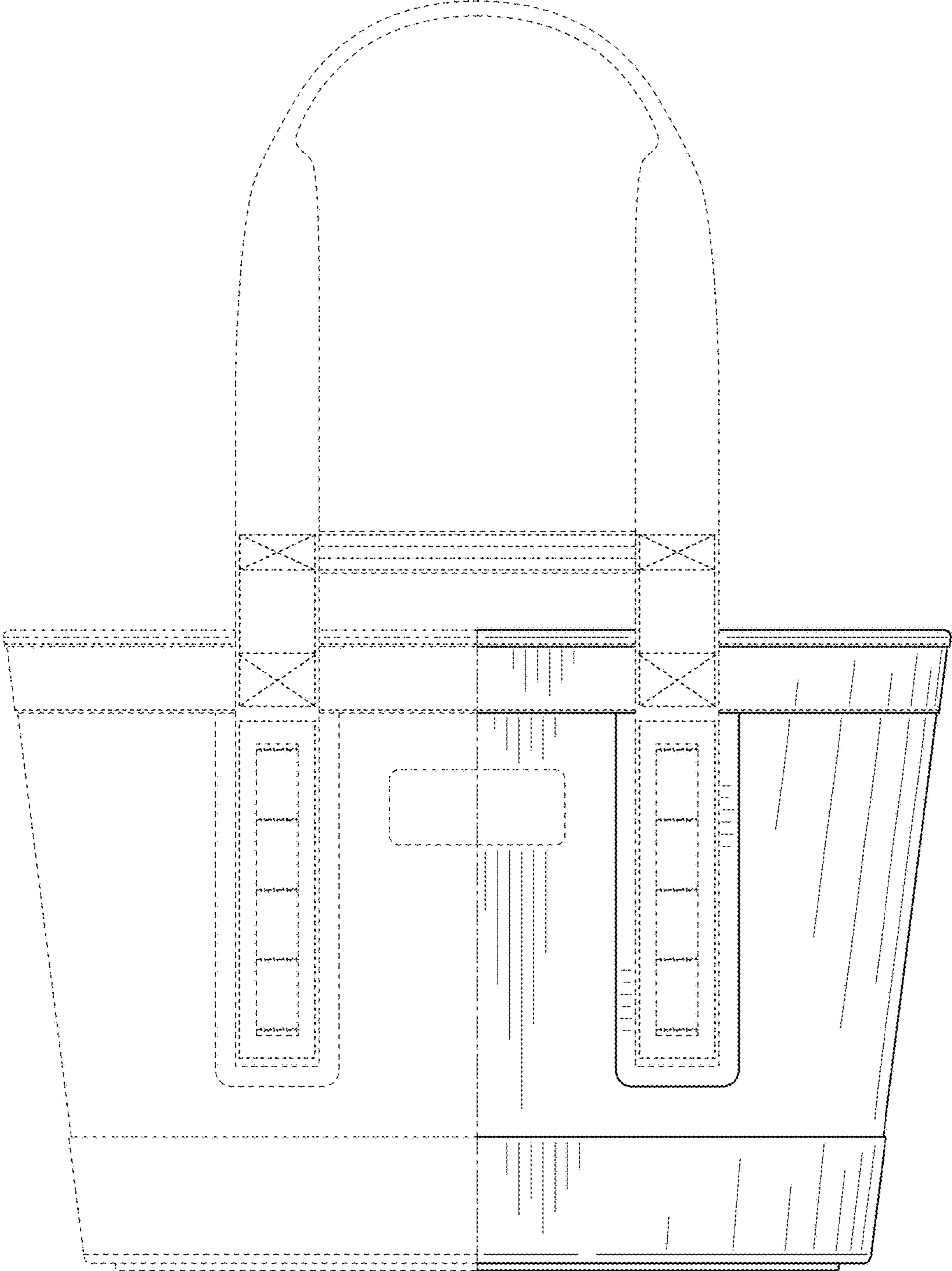


FIG. 2

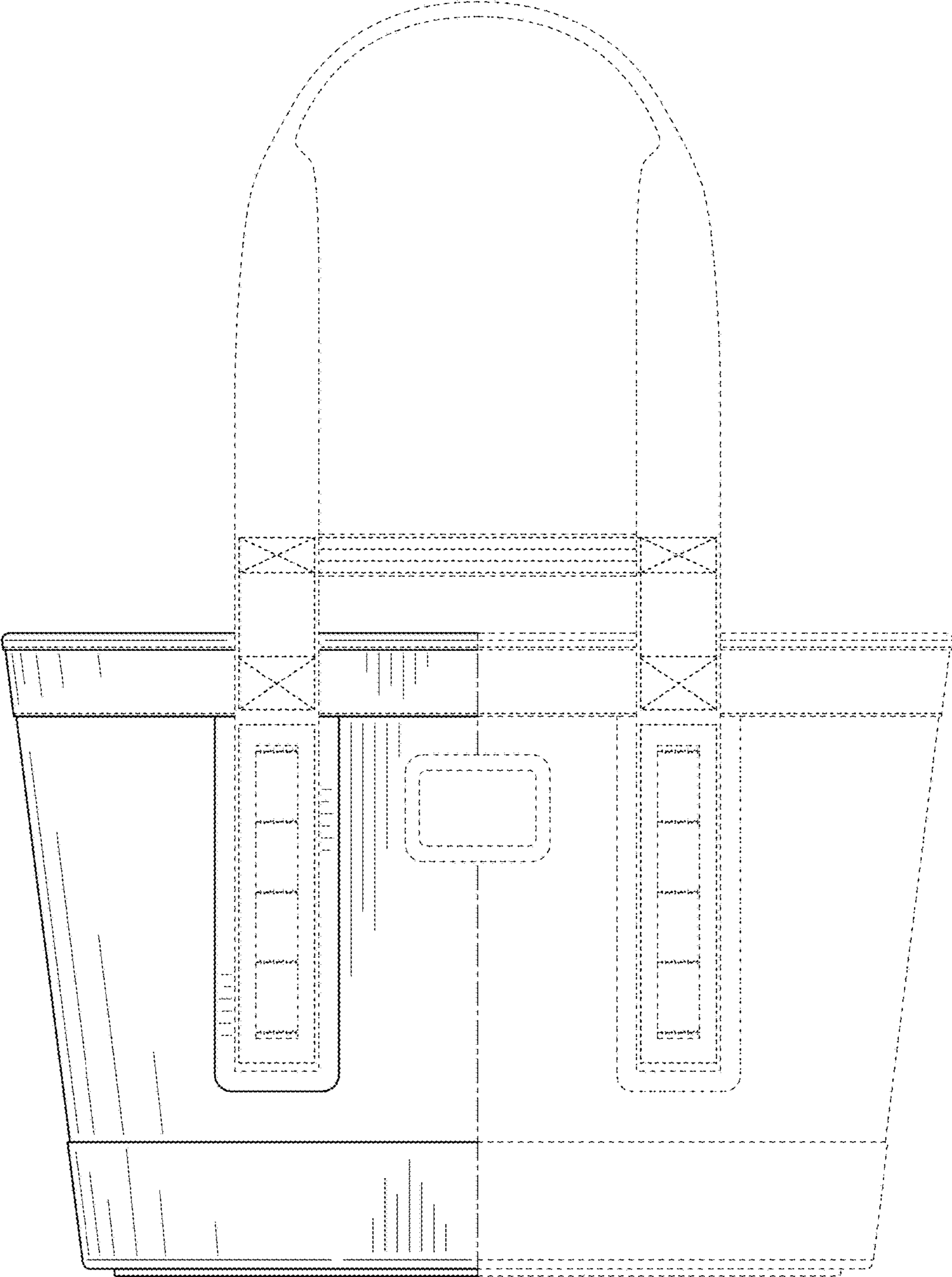


FIG. 3

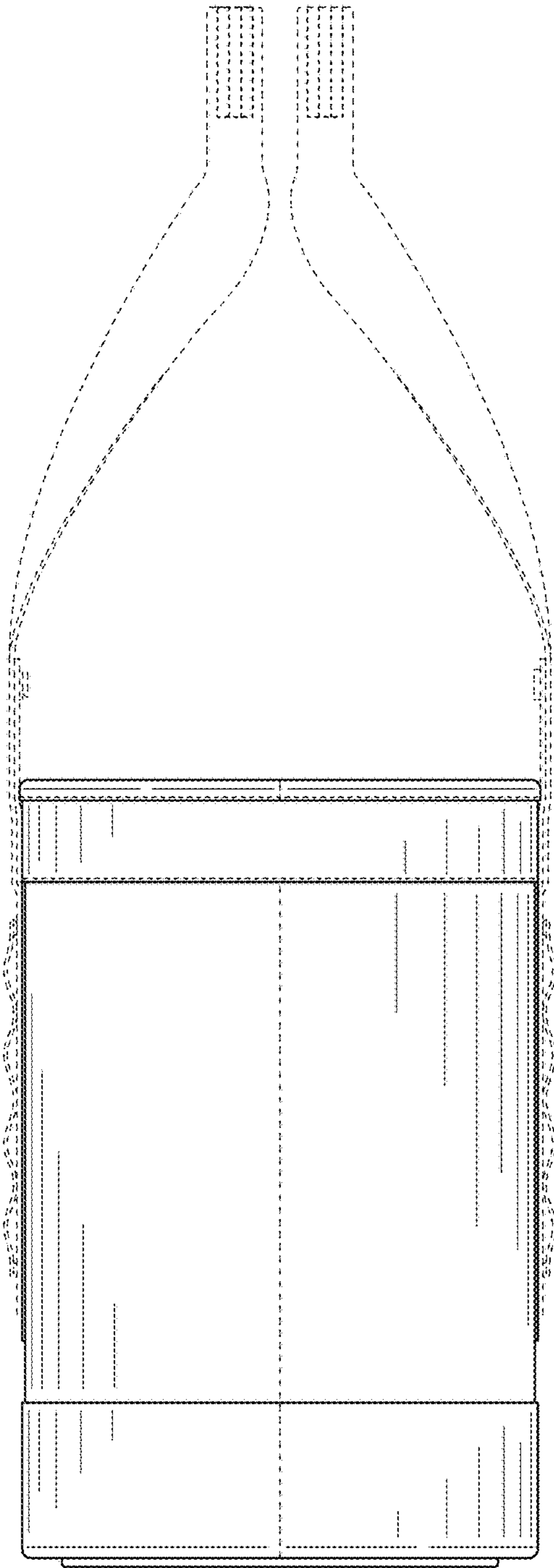


FIG. 4

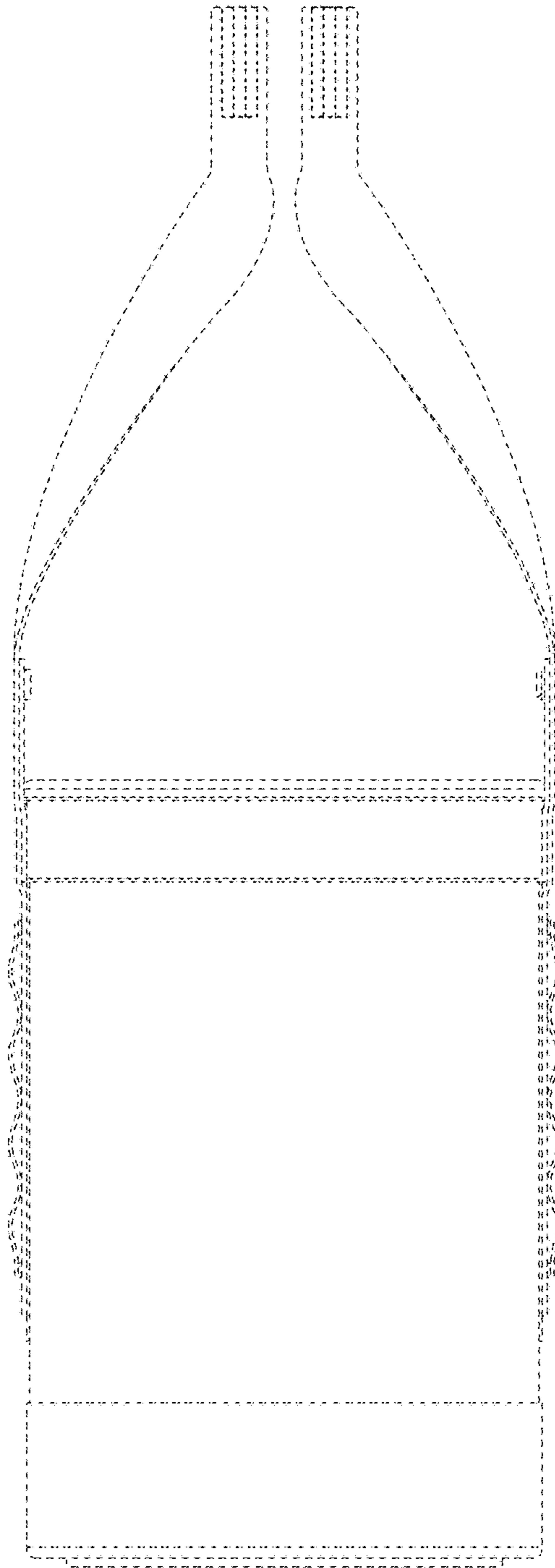


FIG. 5

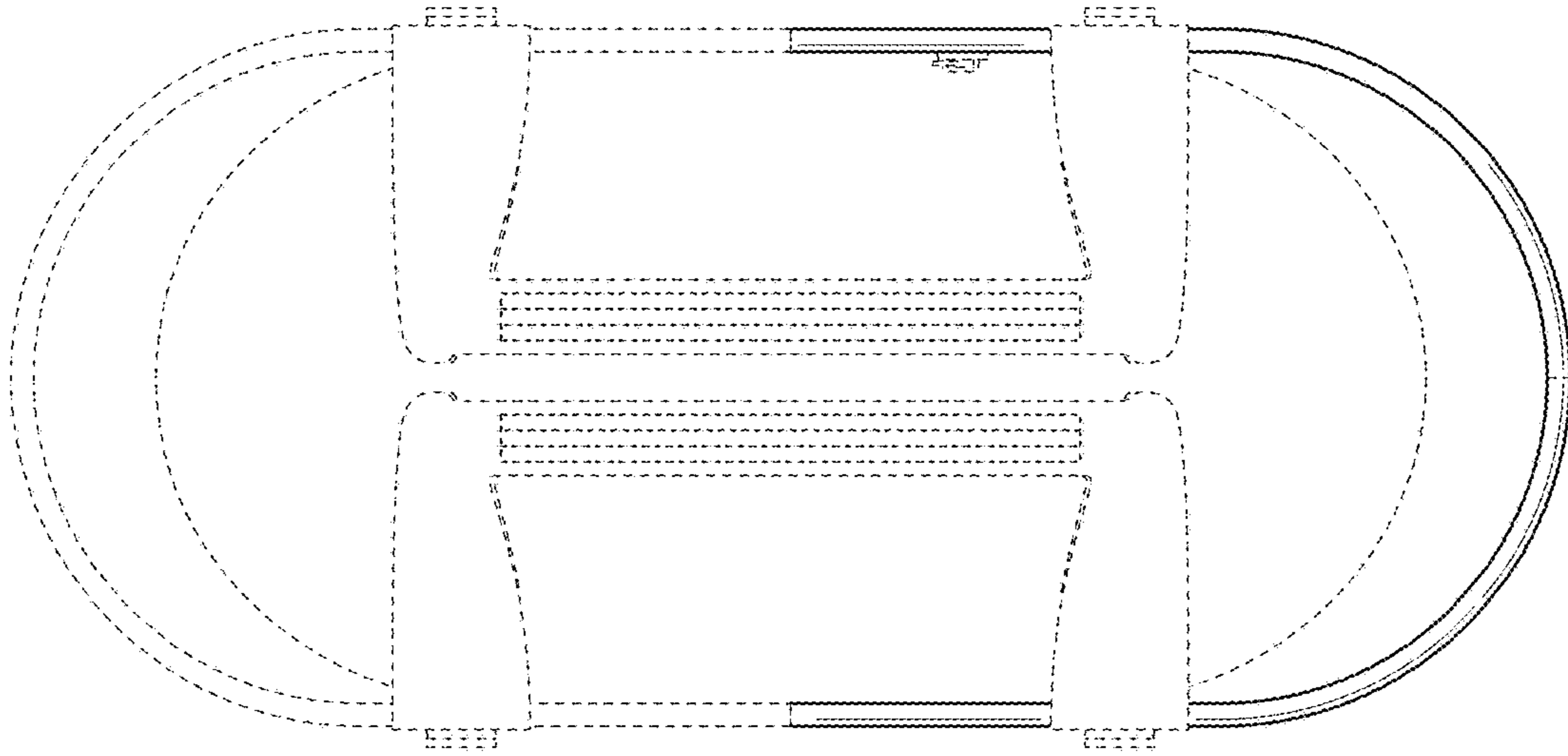


FIG. 6

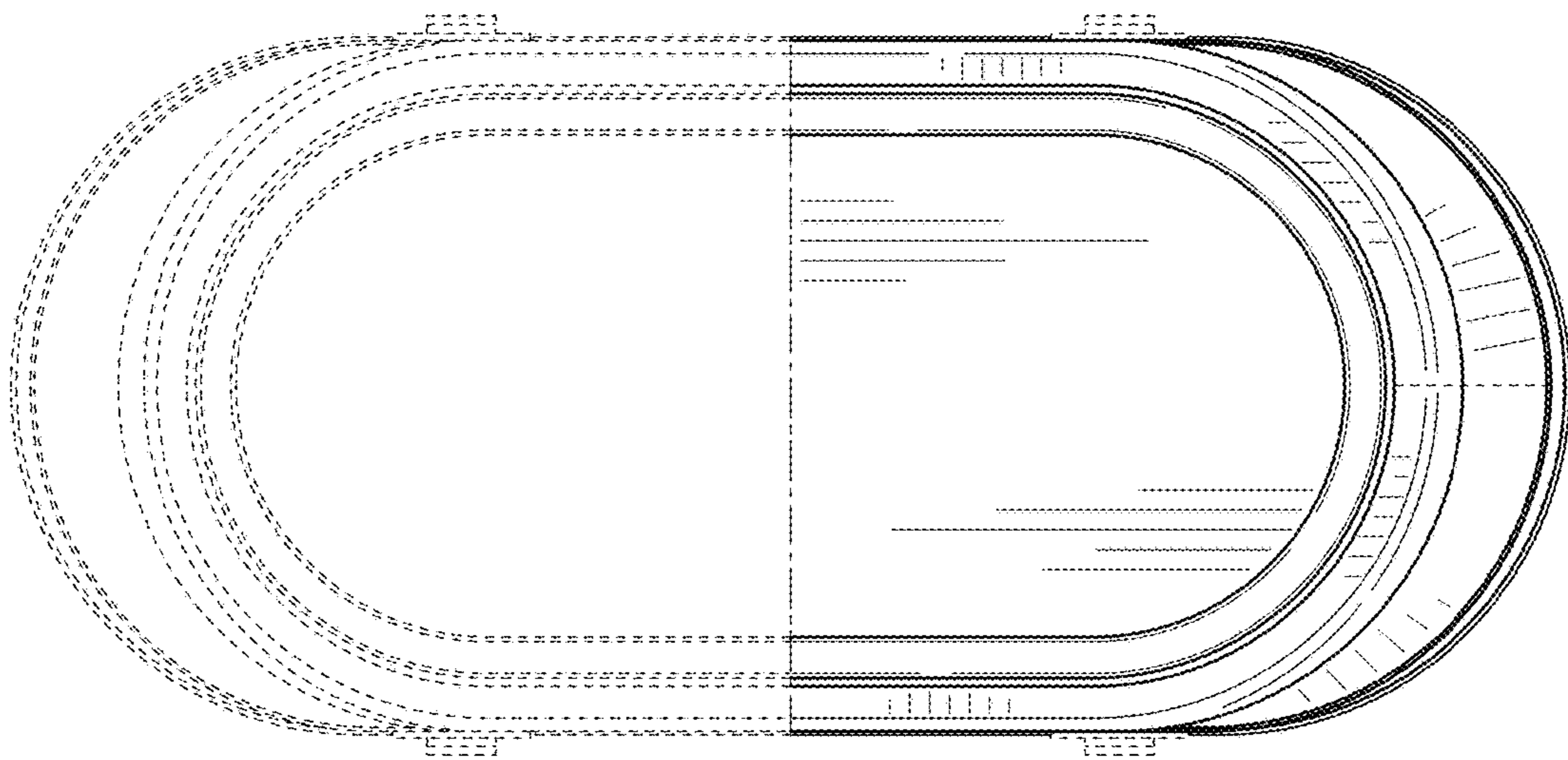


FIG. 7