



US00D823600S

(12) **United States Design Patent** (10) **Patent No.:** **US D823,600 S**  
**Pennington** (45) **Date of Patent:** **\*\* Jul. 24, 2018**

(54) **TOOL STORAGE TOTE** D550,962 S \* 9/2007 Eskandry ..... D3/305  
D553,362 S \* 10/2007 Godshaw ..... D3/310  
(71) Applicant: **Irwin Industrial Tool Company,** 7,311,200 B2 \* 12/2007 Godshaw ..... A45C 7/0036  
Huntersville, NC (US) 206/373  
7,314,133 B2 \* 1/2008 Redzisz ..... A45C 13/04  
206/373  
(72) Inventor: **Stephen Pennington,** Kalamazoo, MI 7,331,454 B2 \* 2/2008 Godshaw ..... A45C 5/14  
(US) 190/117  
(73) Assignee: **Irwin Industrial Tool Company,** D608,096 S \* 1/2010 Noble ..... D3/318  
Huntersville, NC (US) D613,507 S \* 4/2010 Brouard ..... D3/315  
D635,769 S \* 4/2011 Sosnovsky ..... D3/304  
D662,714 S \* 7/2012 Fraiman ..... D3/315  
D699,437 S \* 2/2014 Del Solar ..... D3/315  
(\*\*) Term: **15 Years** 2005/0189388 A1 \* 9/2005 Godshaw ..... A45C 3/00  
224/607  
(21) Appl. No.: **29/585,153** 2008/0179370 A1 \* 7/2008 Williams ..... A45C 13/02  
224/682

(22) Filed: **Nov. 21, 2016**  
(51) **LOC (11) Cl.** ..... **03-02**  
(52) **U.S. Cl.**  
USPC ..... **D3/315**  
(58) **Field of Classification Search**  
USPC ..... D3/303–305, 310, 315, 318  
CPC . B25H 3/00; B25H 3/02; B25H 3/003; B25H  
3/023; B25H 3/028; B25H 3/06; B25H  
3/021; B25H 1/04; B25H 1/12; A45C  
13/26; A45C 3/00; A45C 7/0077  
See application file for complete search history.

\* cited by examiner

*Primary Examiner* — Charles D Hanson  
(74) *Attorney, Agent, or Firm* — Bruce S. Shapiro

(57) **CLAIM**

The ornamental design for a “tool storage tote,” as shown and described.

**DESCRIPTION**

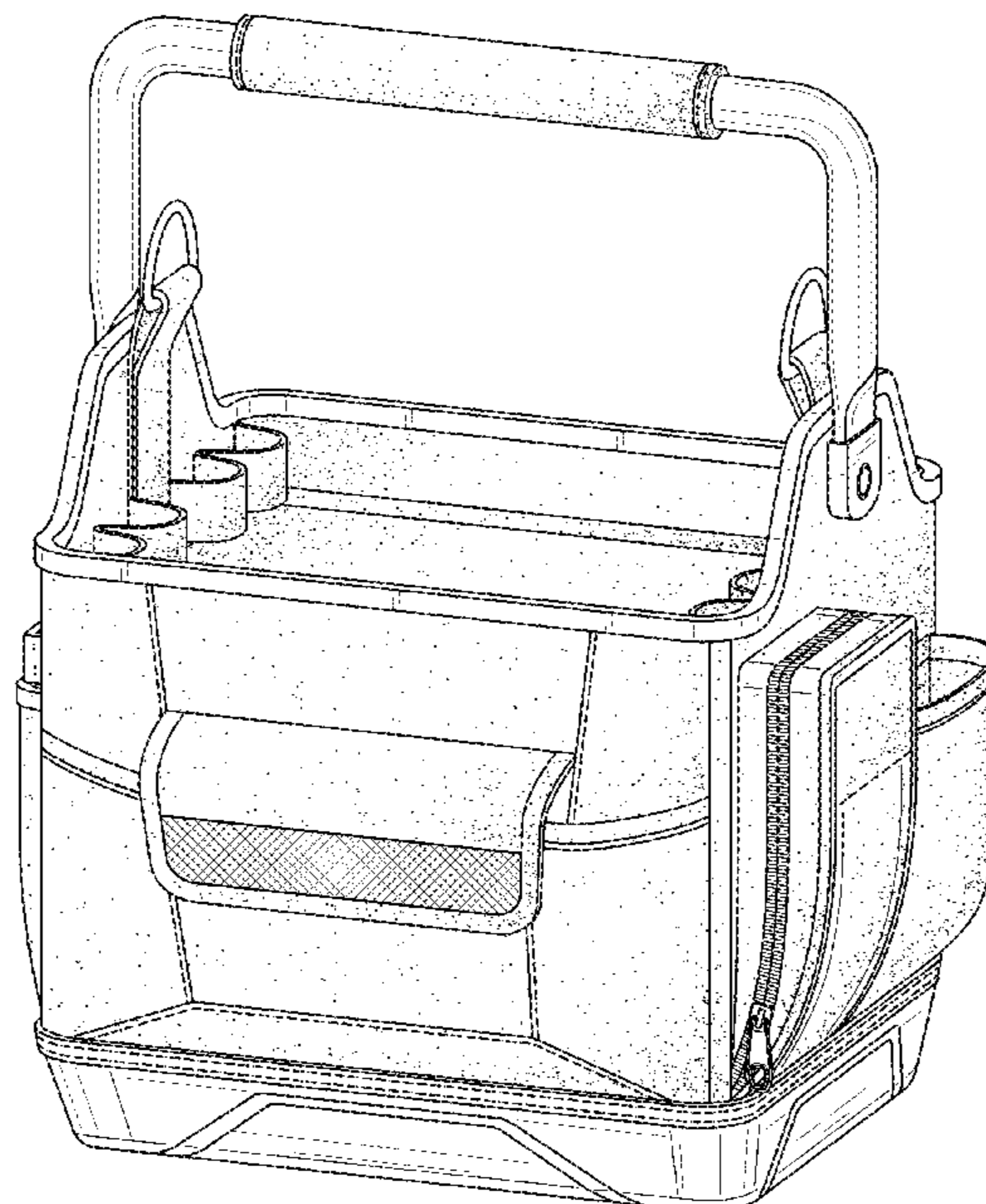
FIG. 1 is a perspective view;  
FIG. 2 is a front view;  
FIG. 3 is a back view;  
FIG. 4 is a right view;  
FIG. 5 is a left view;  
FIG. 6 is a top view; and,  
FIG. 7 is a bottom view.  
The subject matter shown in dashed lines is for illustrative purposes and forms no part of the claimed design.

(56) **References Cited**

**U.S. PATENT DOCUMENTS**

D314,087 S \* 1/1991 Macklin ..... D3/20  
D373,514 S \* 9/1996 Melk ..... D3/287  
D417,079 S \* 11/1999 Heltzel ..... D3/315  
D434,903 S \* 12/2000 Bowman ..... D3/315  
6,478,463 B2 \* 11/2002 Snider ..... A45C 13/02  
206/373  
D474,022 S \* 5/2003 Leighton ..... D3/315  
6,571,998 B2 \* 6/2003 Godshaw ..... A45C 3/00  
206/373

**1 Claim, 7 Drawing Sheets**



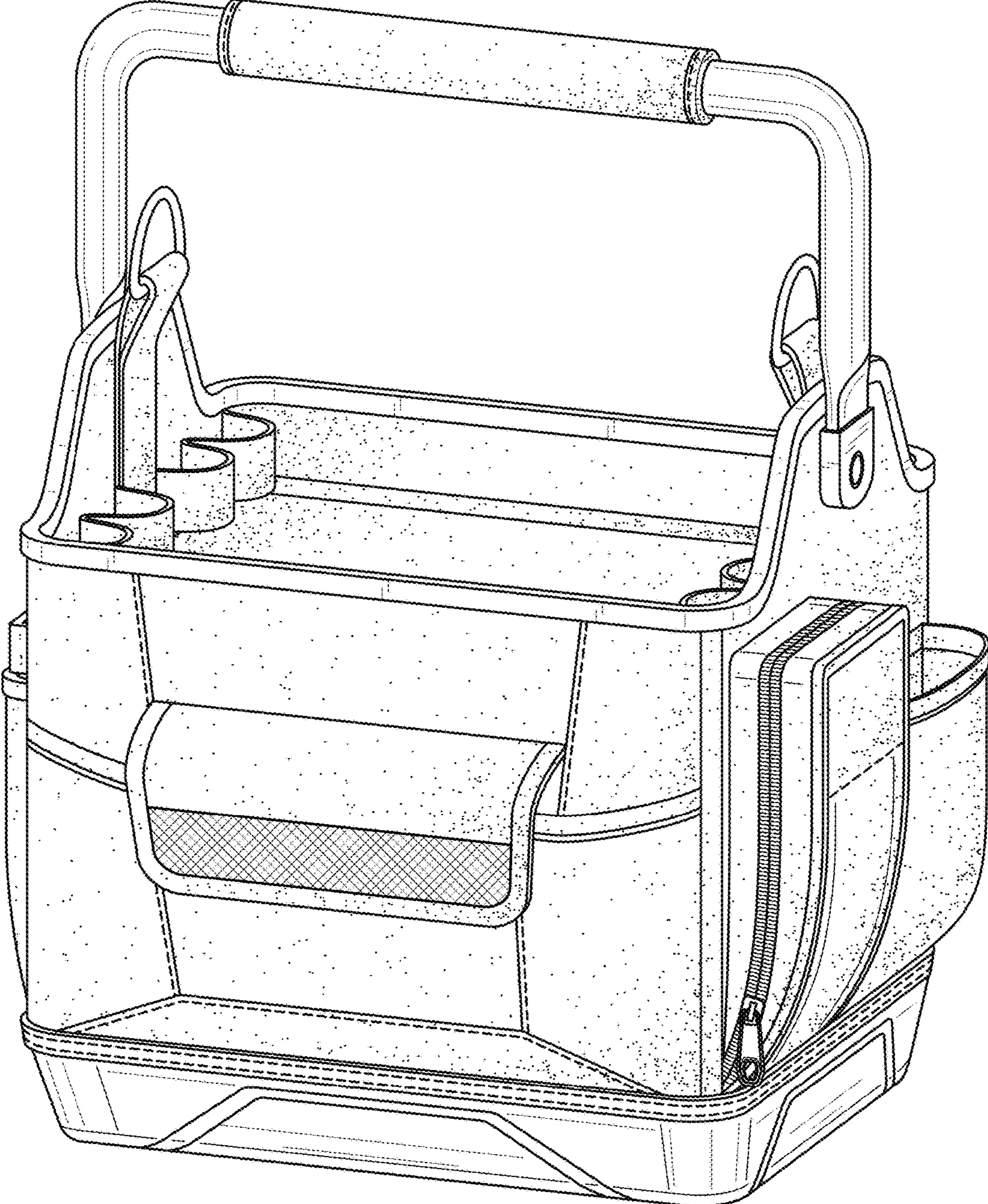


FIG. 1

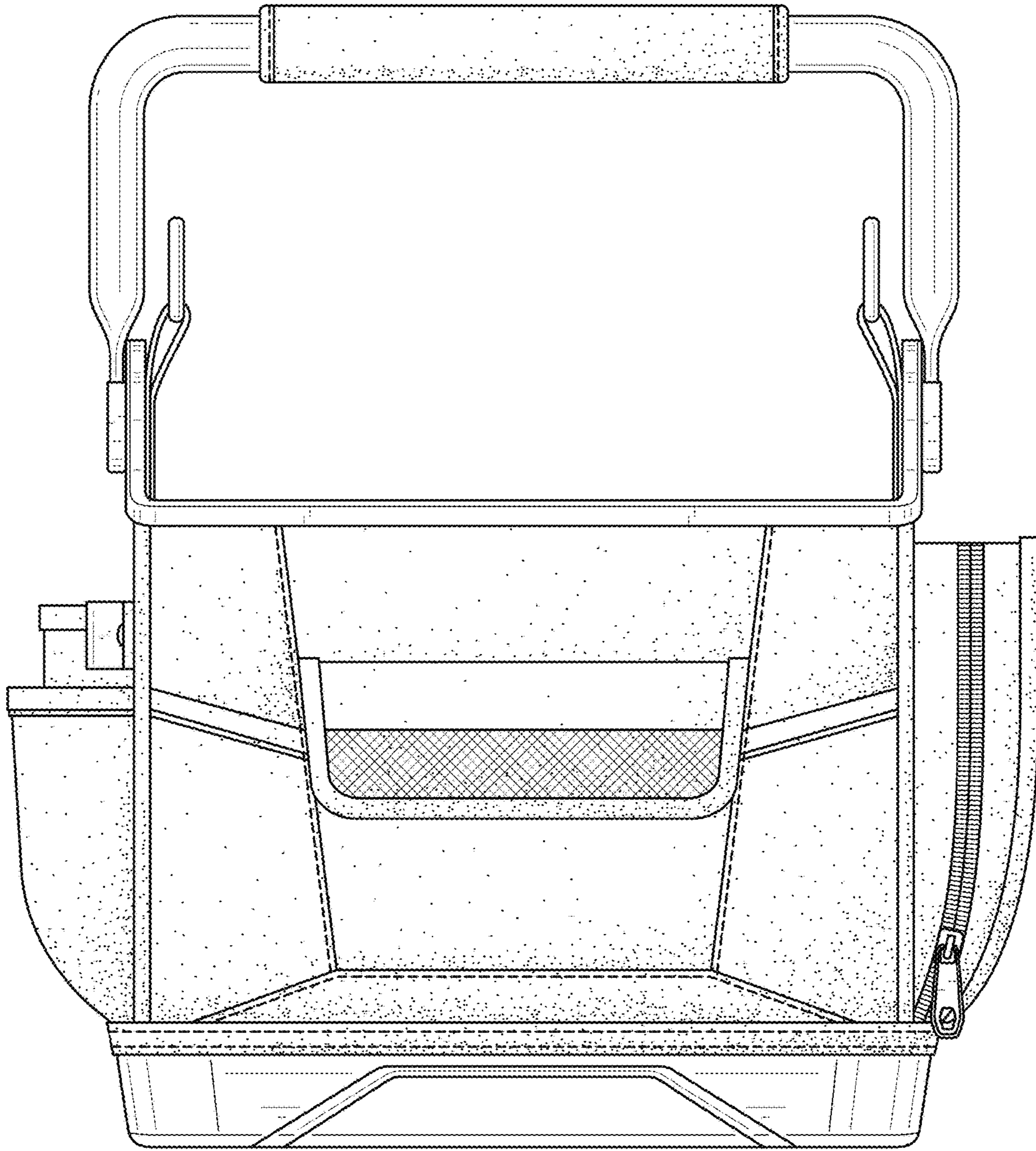


FIG. 2

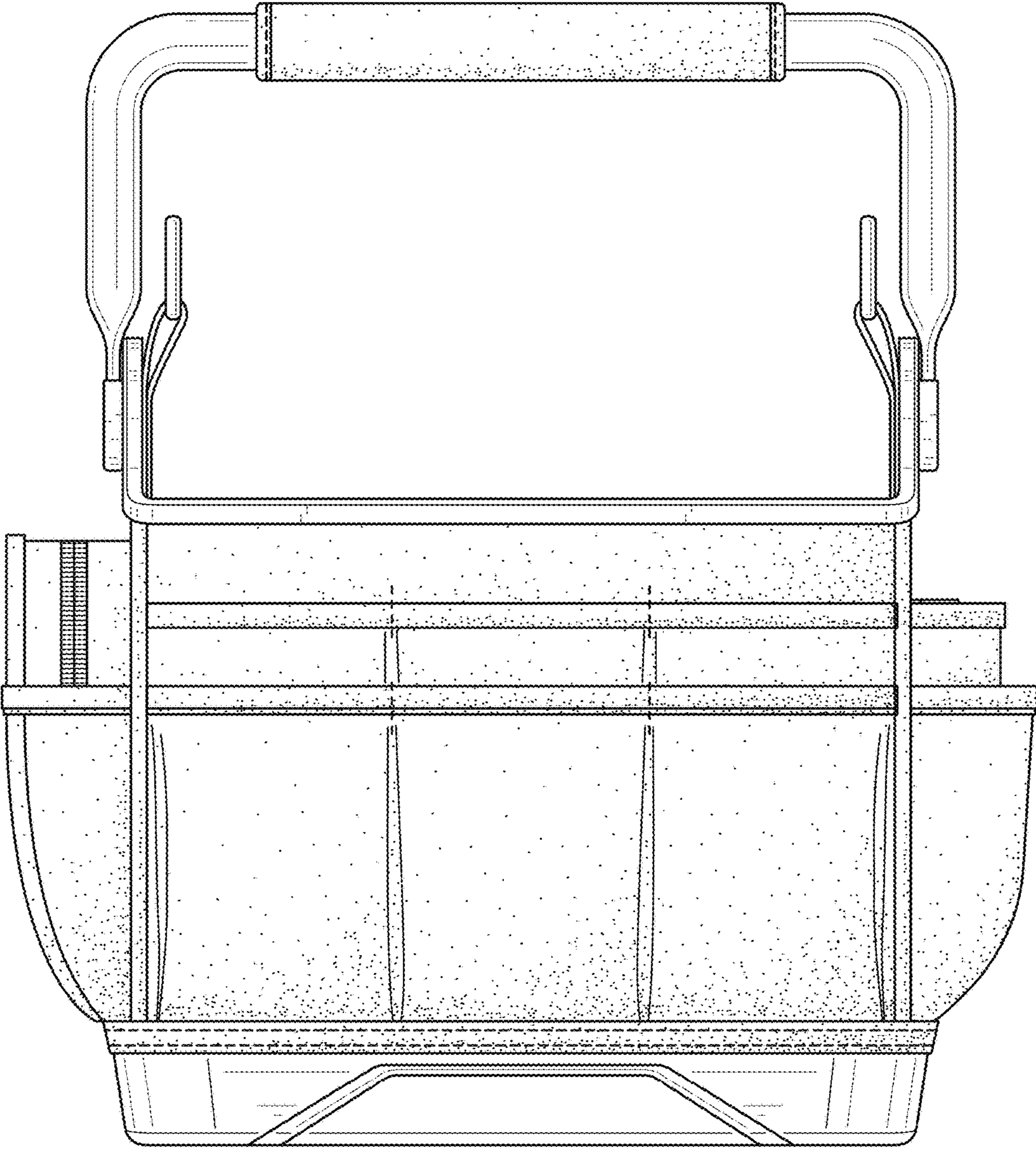


FIG. 3

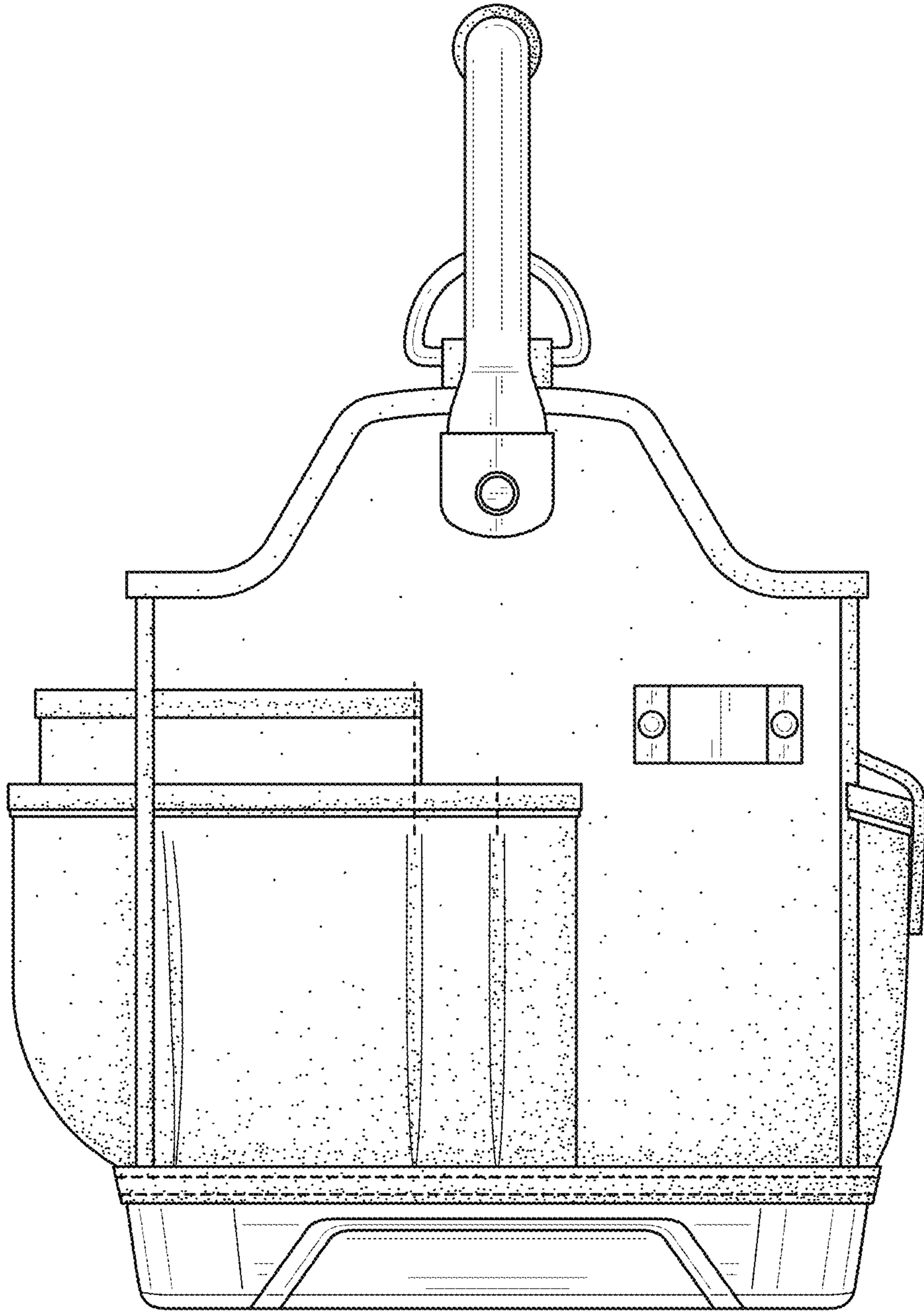


FIG. 4

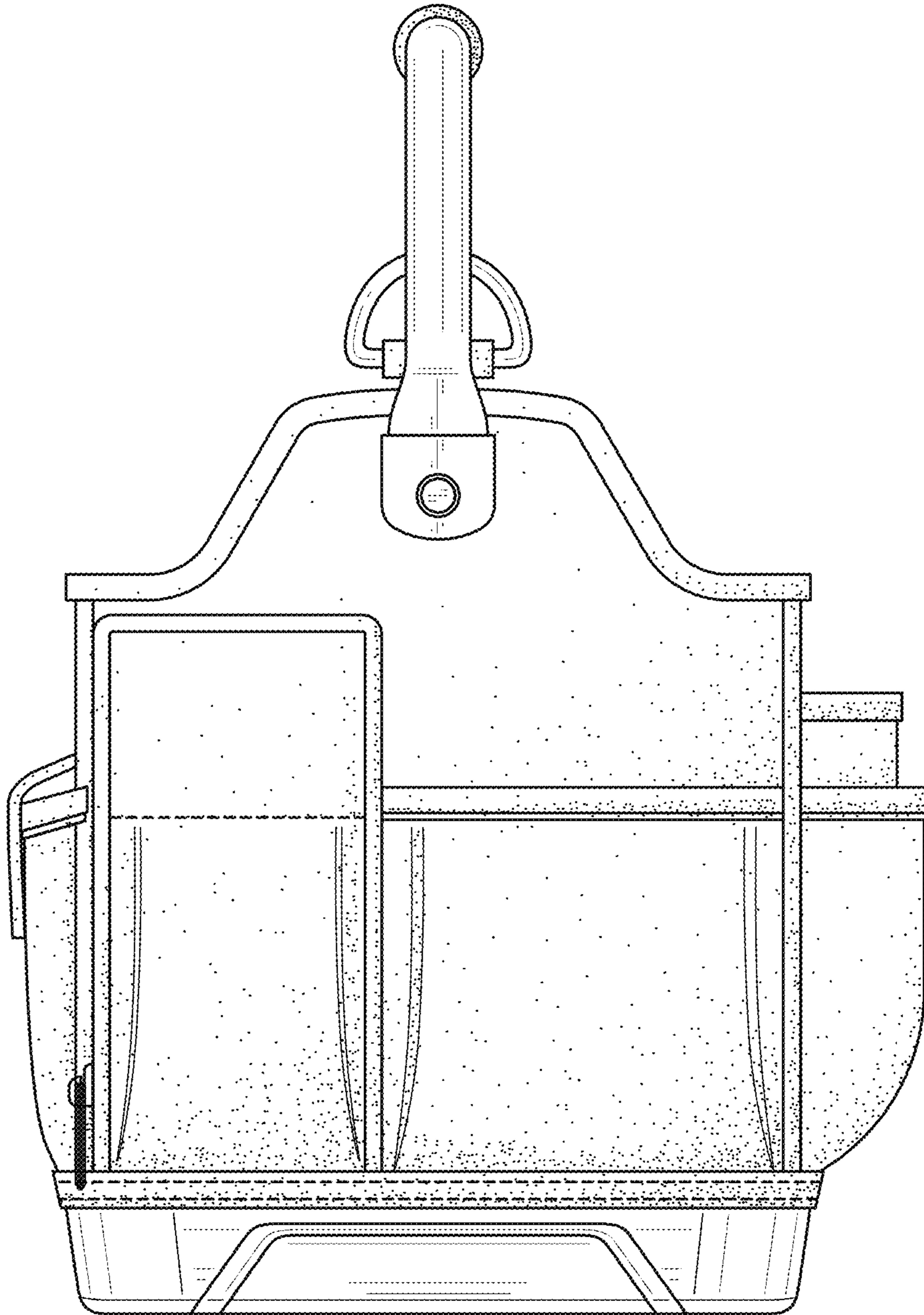


FIG. 5

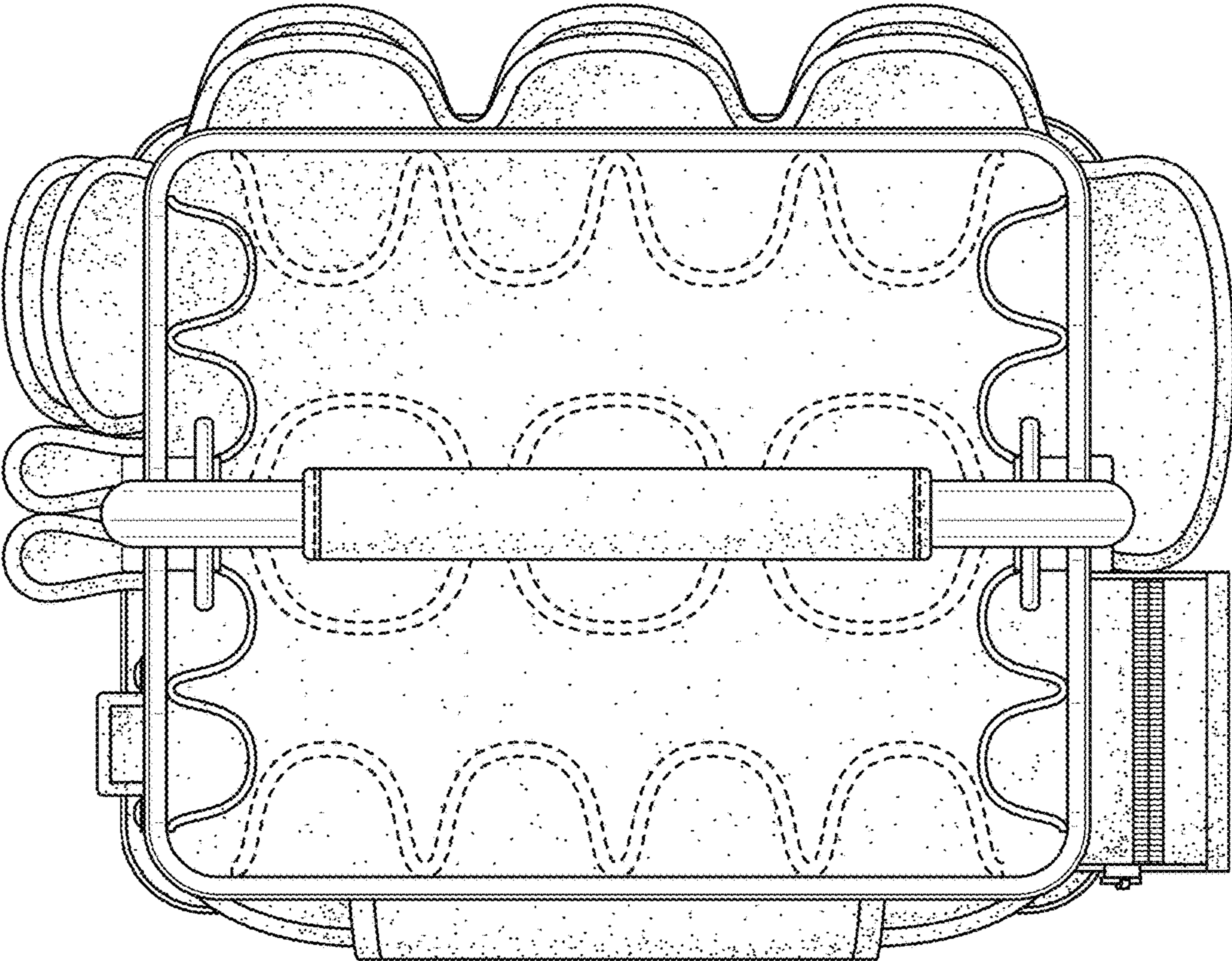


FIG. 6

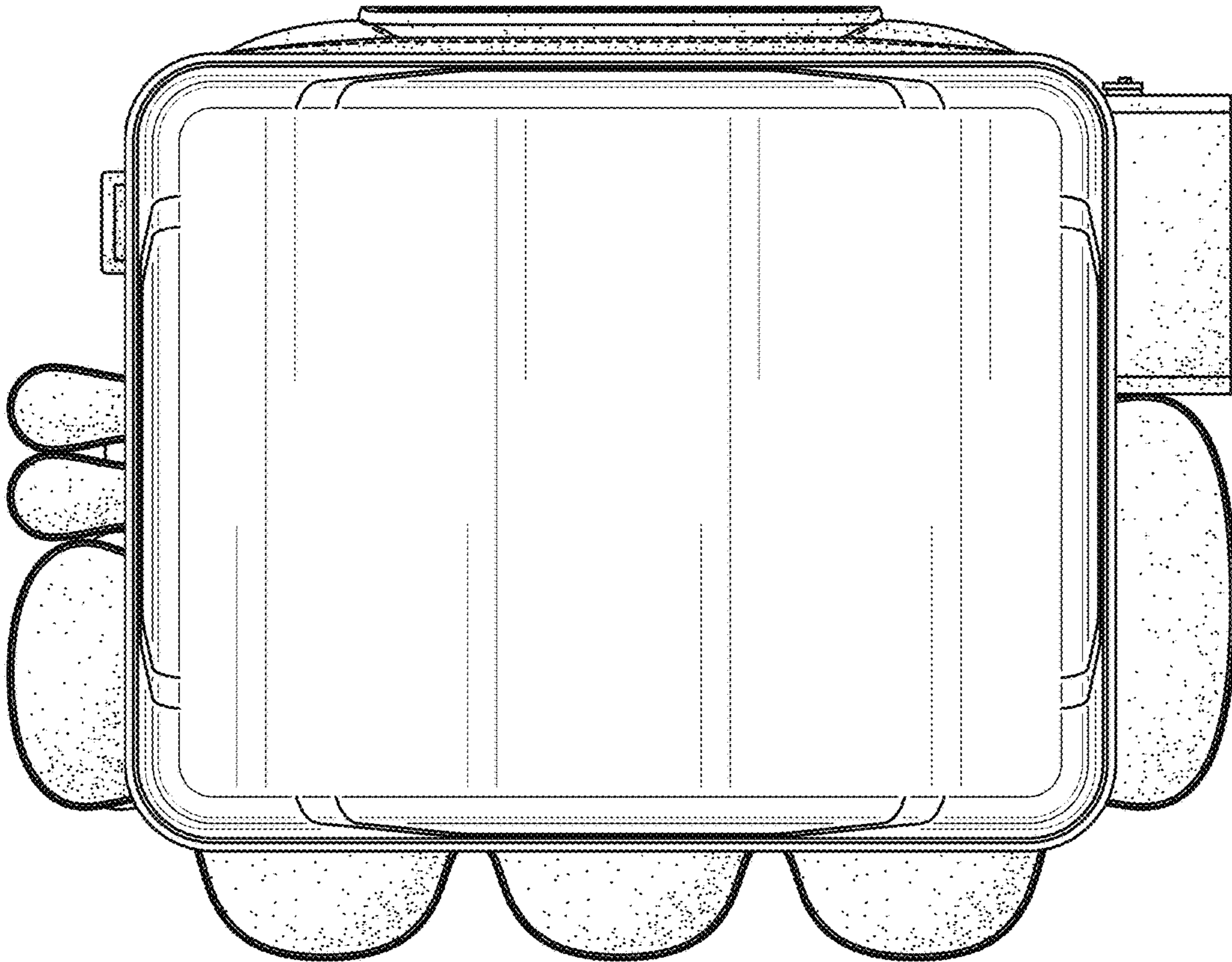


FIG. 7