



US00D823599S

(12) **United States Design Patent**
Goodman et al.

(10) **Patent No.:** **US D823,599 S**
(45) **Date of Patent:** **** Jul. 24, 2018**

(54) **BASKET**

(71) Applicant: **Spectrum Diversified Designs, LLC**,
Streetsboro, OH (US)

(72) Inventors: **Aaron Goodman**, Beachwood, OH
(US); **Xuemei Yuan**, Stow, OH (US)

(73) Assignee: **SPECTRUM DIVERSIFIED
DESIGNS, LLC**, Streetsboro, OH (US)

(**) Term: **15 Years**

(21) Appl. No.: **29/596,805**

(22) Filed: **Mar. 10, 2017**

(51) **LOC (11) Cl.** **03-01**

(52) **U.S. Cl.**
USPC **D3/306**

(58) **Field of Classification Search**
USPC D3/201, 304, 305, 306, 312, 314-315,
D3/318-319; D19/75-77, 86
CPC B65D 1/00; B65D 1/34; B65D 1/38
See application file for complete search history.

(56) **References Cited**

U.S. PATENT DOCUMENTS

D296,601 S *	7/1988	Chap	D3/306
D450,213 S *	11/2001	Snell	D6/566
D507,108 S *	7/2005	Suero, Jr.	D3/304
D650,175 S *	12/2011	Lee	D3/306
D675,850 S *	2/2013	Tawil	D6/705.6
D692,666 S *	11/2013	Goodman	D3/304
D745,281 S *	12/2015	Goodman	D3/306
D747,158 S *	1/2016	Goodman	D7/631
D747,877 S *	1/2016	Goodman	D3/315
D760,462 S *	6/2016	Kellogg	D3/304
D784,697 S *	4/2017	Goodman	D3/306

D785,333 S *	5/2017	Goodman	D3/307
D794,959 S *	8/2017	Takagaki	D3/307
D799,213 S *	10/2017	Goodman	D3/304
2012/0152993 A1 *	6/2012	Chen	B62J 9/00 224/419

OTHER PUBLICATIONS

Interdesign Classico Basket, Forma Basket and Forma Wire baskets; 3 pages, published at least as early as Feb. 3, 2017.

* cited by examiner

Primary Examiner — Kelley Donnelly

(74) *Attorney, Agent, or Firm* — Tucker Ellis LLP;
Patrick Clunk

(57) **CLAIM**

The ornamental design for a basket, as shown and described.

DESCRIPTION

FIG. 1 is a perspective view of a basket showing our new design.

FIG. 2 is a front view thereof; a rear view being the same as the front view.

FIG. 3 is a left side view thereof; a right side view being the same as the left side view.

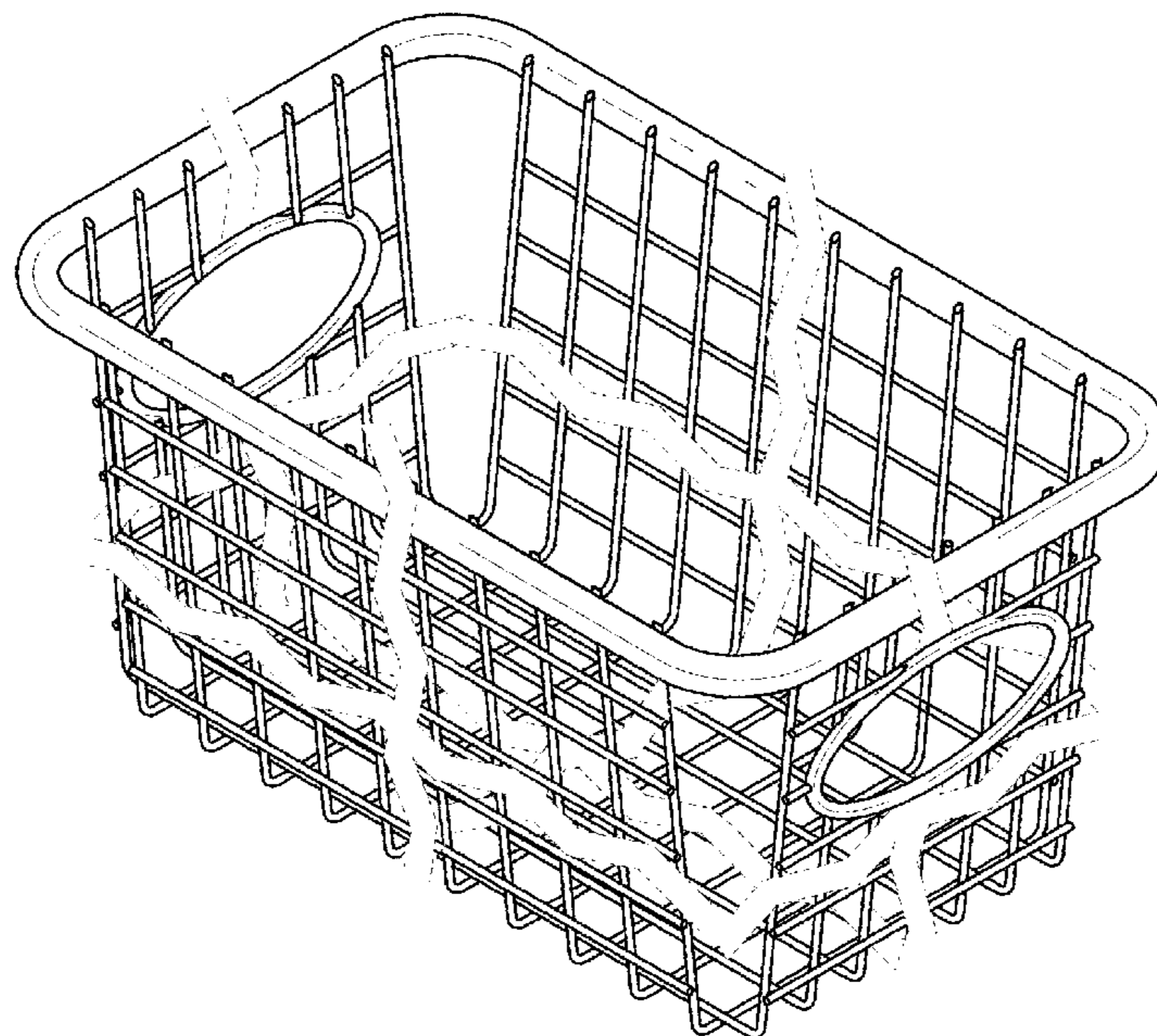
FIG. 4 is a top view thereof; and,

FIG. 5 is a bottom view thereof.

The broken lines shown herein are for illustrative purposes only and form no part of the claimed design.

The break lines represent a section of the basket of indeterminate length, indeterminate width, and indeterminate height.

1 Claim, 4 Drawing Sheets



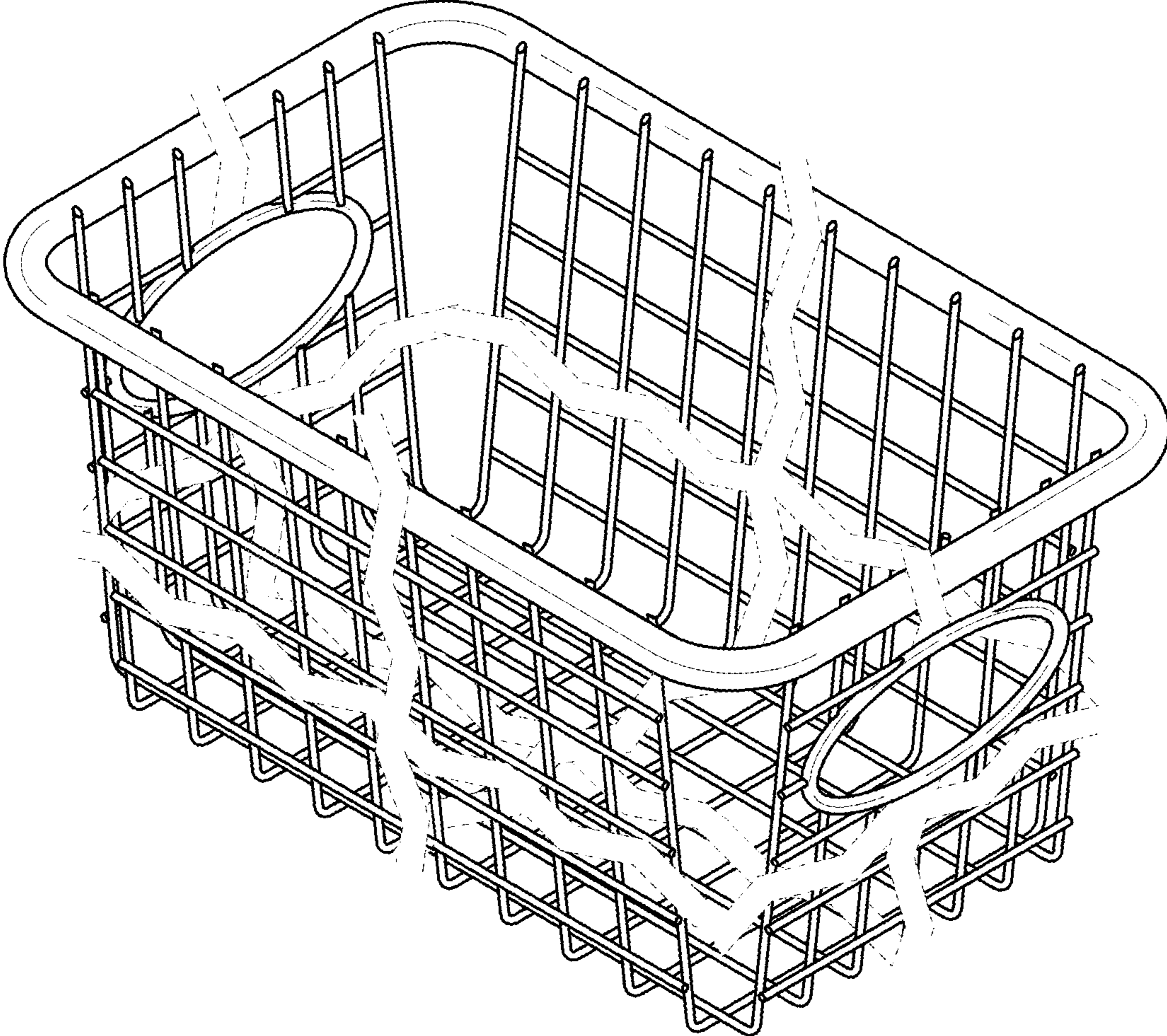


FIG. 1

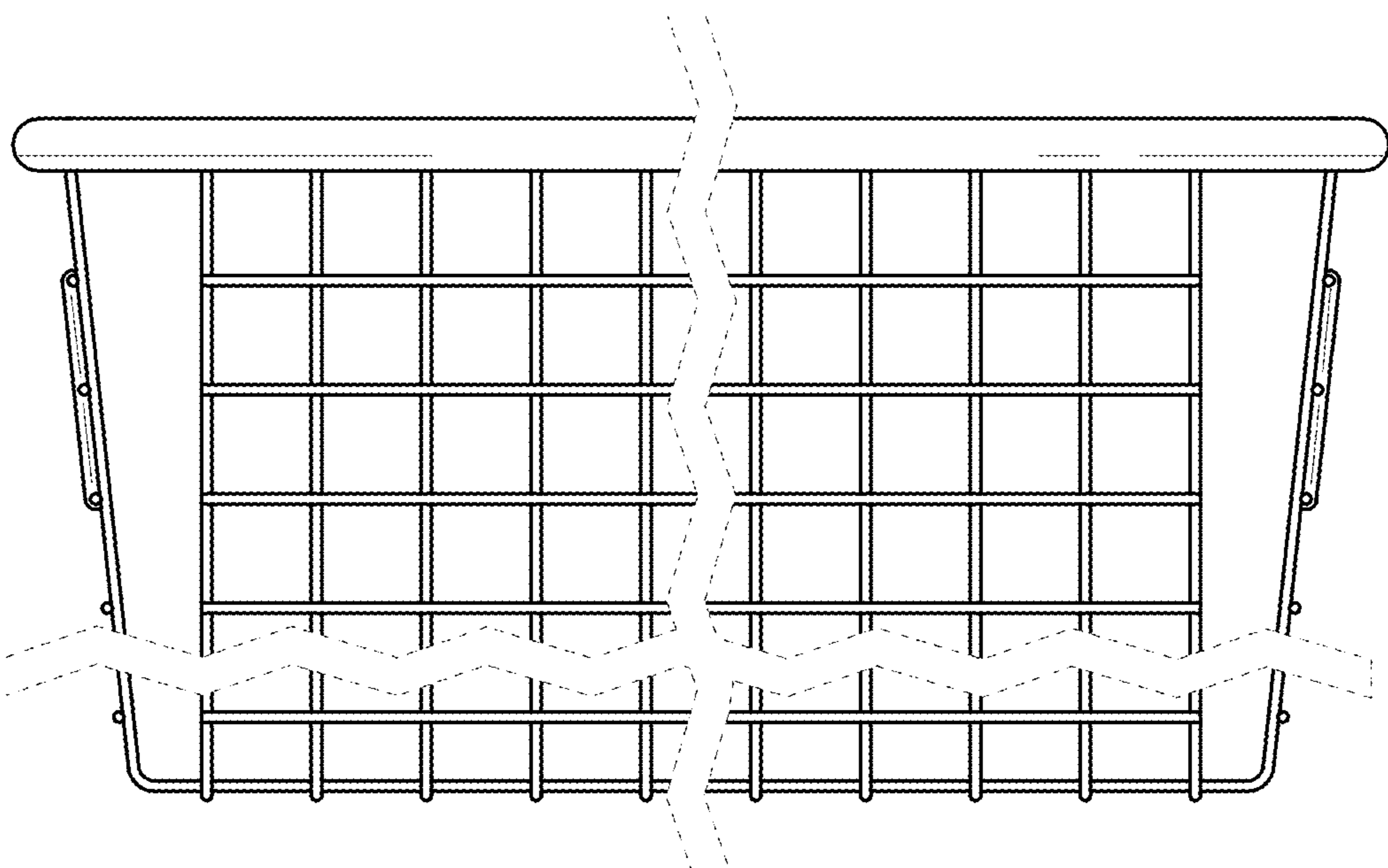


FIG. 2

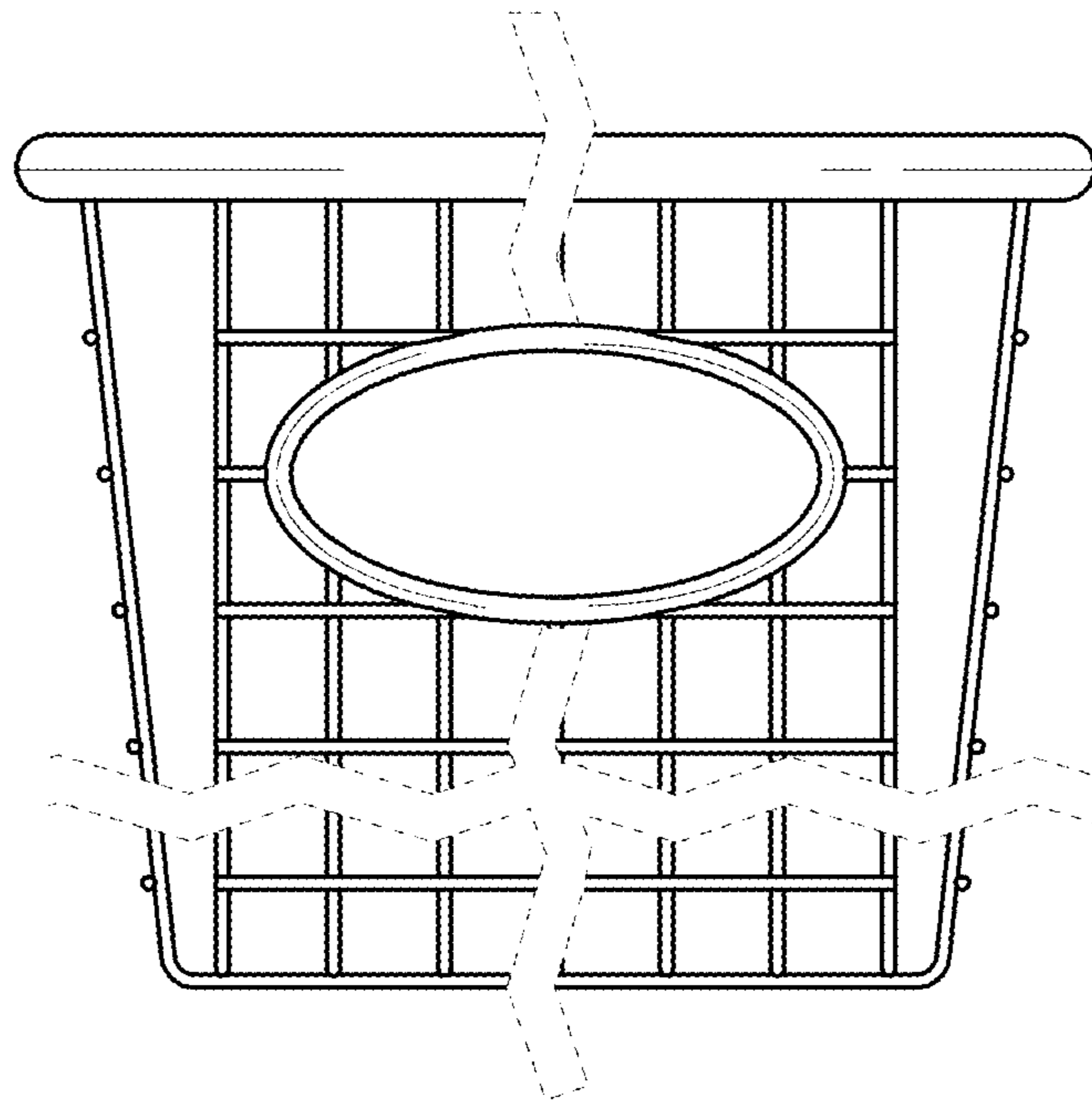


FIG. 3

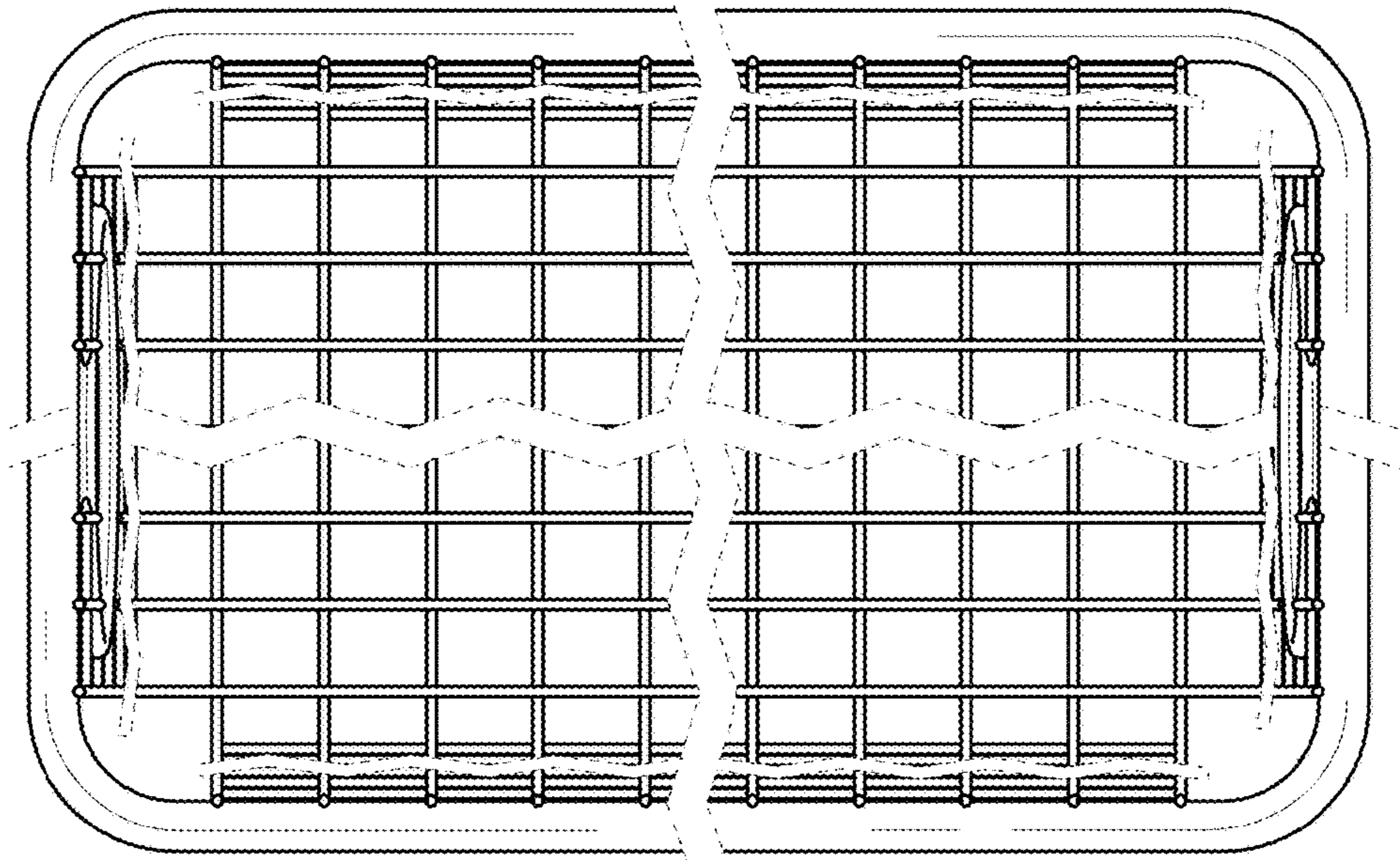


FIG. 4

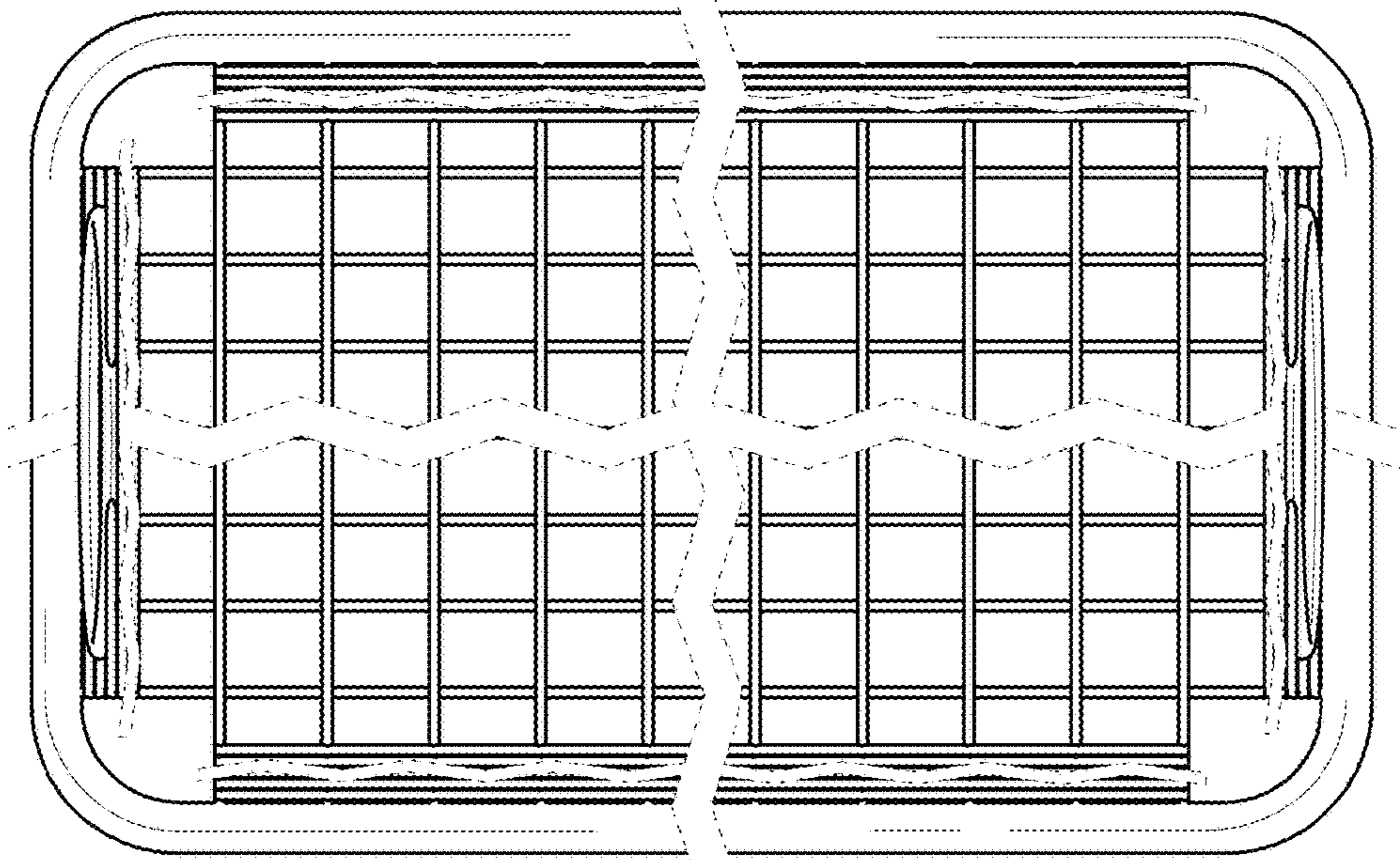


FIG. 5