



US00D823597S

(12) **United States Design Patent** (10) **Patent No.:** **US D823,597 S**
Krainz (45) **Date of Patent:** **** Jul. 24, 2018**

(54) **MULTI-FOLDING JEWELRY BOX**

FOREIGN PATENT DOCUMENTS

(71) Applicant: **Roland Krainz**, Brookfield, CT (US)

CH 699272 B1 2/2010
DE 1445832 U 3/1938

(72) Inventor: **Roland Krainz**, Brookfield, CT (US)

(Continued)

(**) Term: **15 Years**

OTHER PUBLICATIONS

(21) Appl. No.: **29/589,763**

US, Final Office Action, U.S. Appl. No. 15/398,438, 12 pages, dated Feb. 22, 2018.

(22) Filed: **Jan. 4, 2017**

(Continued)

(51) **LOC (11) Cl.** **03-01**

Primary Examiner — Jennifer Rivard

(52) **U.S. Cl.**

Assistant Examiner — April Rivas

USPC **D3/299**; D3/903

(74) *Attorney, Agent, or Firm* — Thompson Hine LLP

(58) **Field of Classification Search**

(57) **CLAIM**

USPC D3/203.6, 217, 218, 233, 249, 269, 274,
D3/276, 279, 282, 284, 288, 289, 290,
D3/900, 901, 902, 905, 313, 903, 272,
D3/302, 261

The ornamental design for a multi-folding jewelry box, as shown and described.

CPC A45C 7/0059; A45C 3/00; A45C 5/00;
A45C 2003/007; A45C 2003/008; A45C
5/03; A45C 5/04; A45C 7/0036; A45C
2009/007; A45C 11/16; A45C 7/00;
B65D 85/68

DESCRIPTION

See application file for complete search history.

FIG. 1 is a front perspective view of a jewelry box showing my new design when closed;
FIG. 2 is a front elevation view thereof;
FIG. 3 is a rear elevation view thereof;
FIG. 4 is a left side elevation view thereof;
FIG. 5 is a right side elevation view thereof;
FIG. 6 is a top elevation view thereof;
FIG. 7 is a bottom elevation view thereof;
FIG. 8 is a front perspective view of a jewelry box showing my new design when open;
FIG. 9 is a front elevation view thereof;
FIG. 10 is a rear elevation view thereof;
FIG. 11 is a left side elevation view thereof;
FIG. 12 is a right side elevation view thereof;
FIG. 13 is a top elevation view thereof; and,
FIG. 14 is a bottom elevation view thereof.
The broken lines in the figures illustrate portions of the multi-folding jewelry box and form no part of the claimed design.

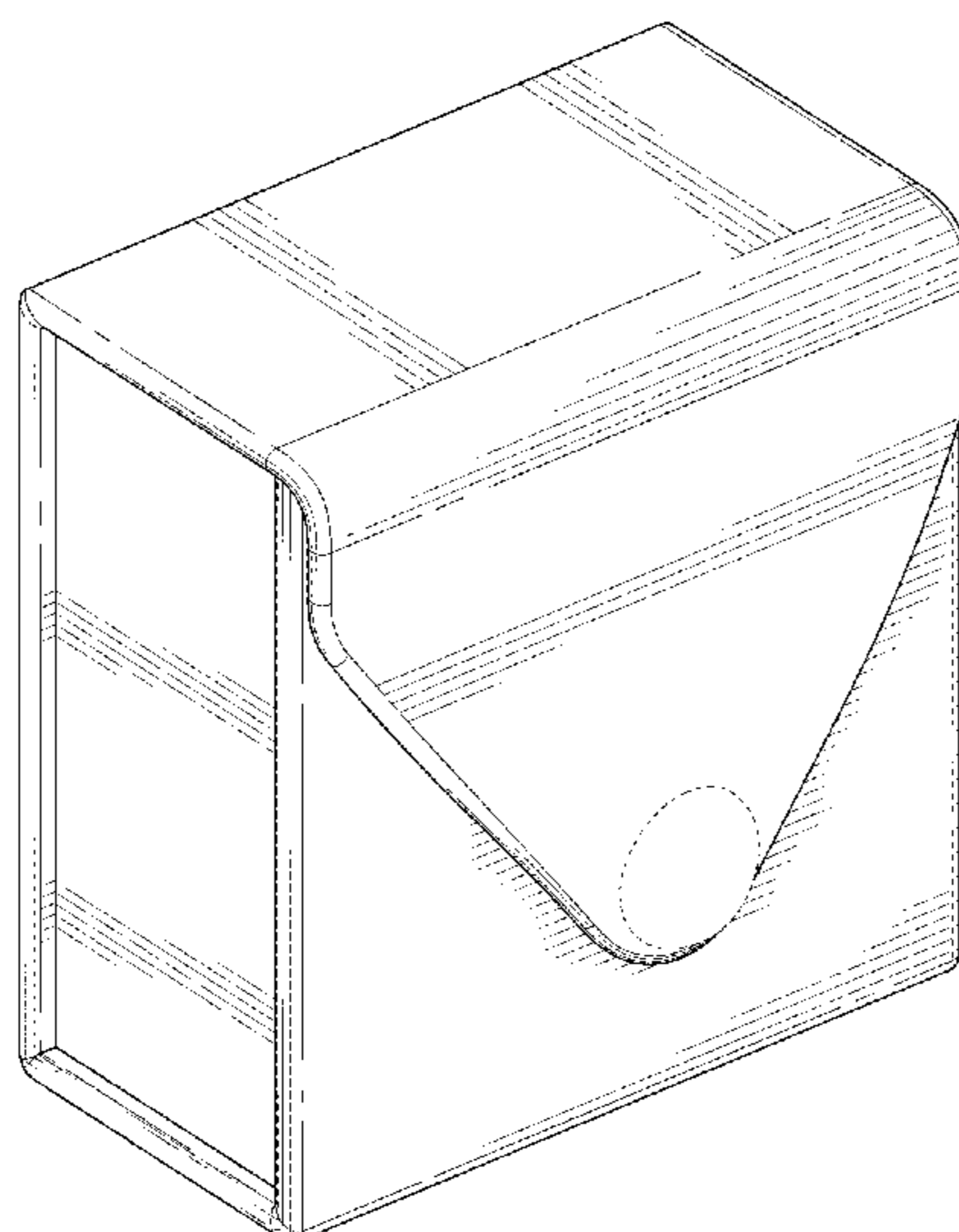
(56) **References Cited**

U.S. PATENT DOCUMENTS

1,240,671 A 9/1917 Catala
1,486,629 A 3/1924 Buchsbaum
1,960,073 A 5/1934 Warner
D237,590 S * 11/1975 Scantlin 273/148 A
3,987,894 A 10/1976 Bidegain
D249,240 S * 9/1978 Klitzner D3/271.6
4,323,153 A 4/1982 Courtin
4,767,000 A * 8/1988 Ovadia A45C 9/00
206/495
5,325,960 A 7/1994 Sims
D376,476 S * 12/1996 Tepen D3/294
5,810,162 A 9/1998 Au

(Continued)

1 Claim, 9 Drawing Sheets



(56)

References Cited

U.S. PATENT DOCUMENTS

D400,708	S	*	11/1998	Srinaul	D3/294
5,979,661	A		11/1999	Sherman		
D457,315	S	*	5/2002	Wolf	D3/290
D461,637	S	*	8/2002	Kaplan	D3/290
D483,941	S	*	12/2003	Fassett	D3/218
D493,107	S	*	7/2004	Bergne	D3/294
D509,133	S	*	9/2005	Au	D3/294
D513,176	S	*	12/2005	Au	D3/294
D606,859	S	*	12/2009	Stewart	D9/432
7,779,996	B2	*	8/2010	Elias	A45C 5/03 206/45.2
9,375,066	B1		6/2016	Velazquez		
9,549,600	B2	*	1/2017	Juillet	B65D 5/326
2007/0102307	A1	*	5/2007	Shen	A45C 11/16 206/223
2010/0181227	A1		7/2010	Tolkowsky		
2014/0318992	A1		10/2014	Morelli Carullo		
2016/0316874	A1	*	11/2016	Mandelbaum	A45C 11/16

FOREIGN PATENT DOCUMENTS

EP			1733972	A2		12/2006
EP			3 018 063			5/2016

OTHER PUBLICATIONS

US, Non-Final Office Action, U.S. Appl. No. 15/398,438, 10 pages, dated Jul. 5, 2017.

US, Notice of Allowance, U.S. Appl. No. 29/589,765, 9 pages, dated Nov. 15, 2017.

European Search Report and Opinion, European Patent Application No. 17210844.1, 5 pages, dated Apr. 5, 2018.

* cited by examiner

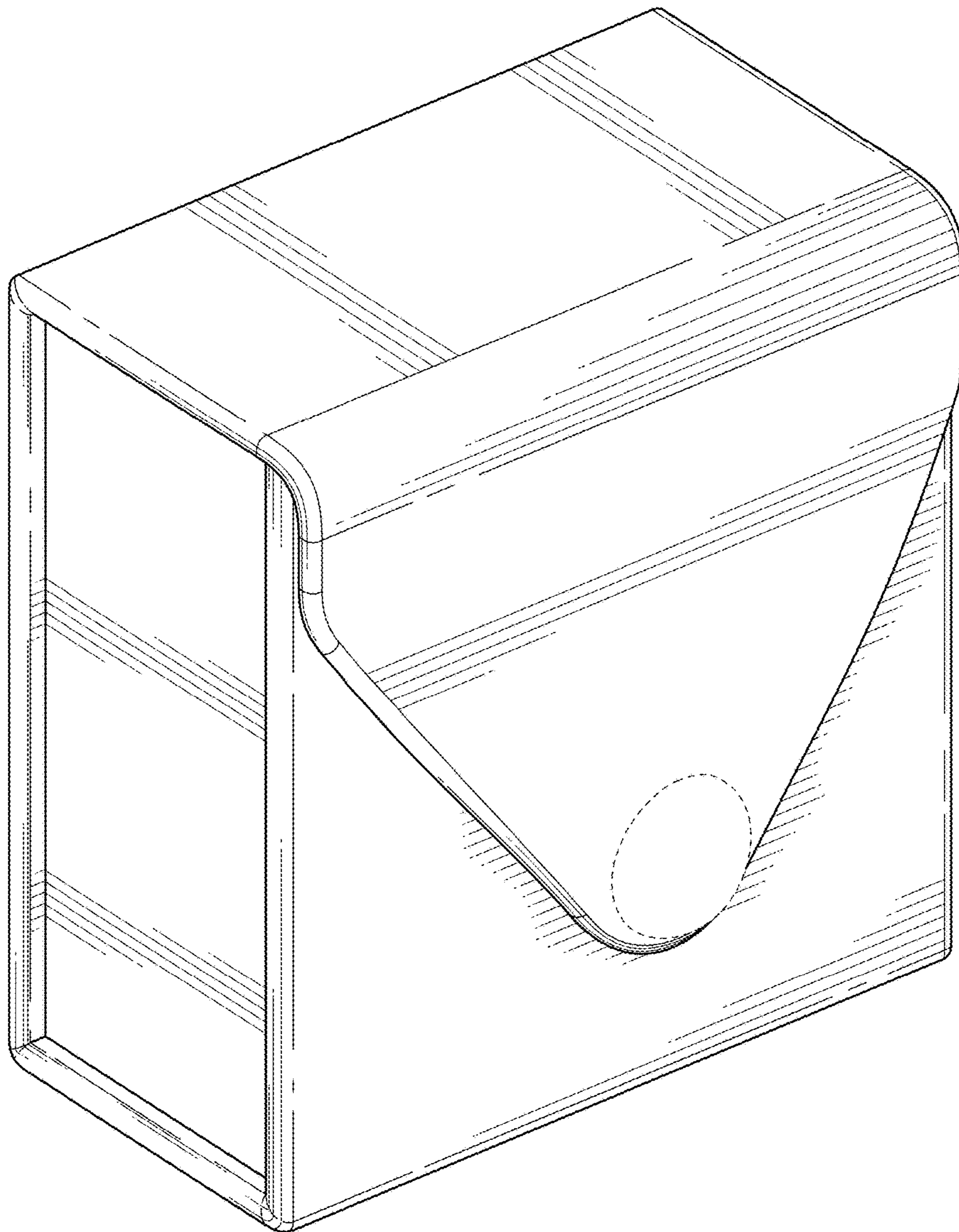


FIG. 1

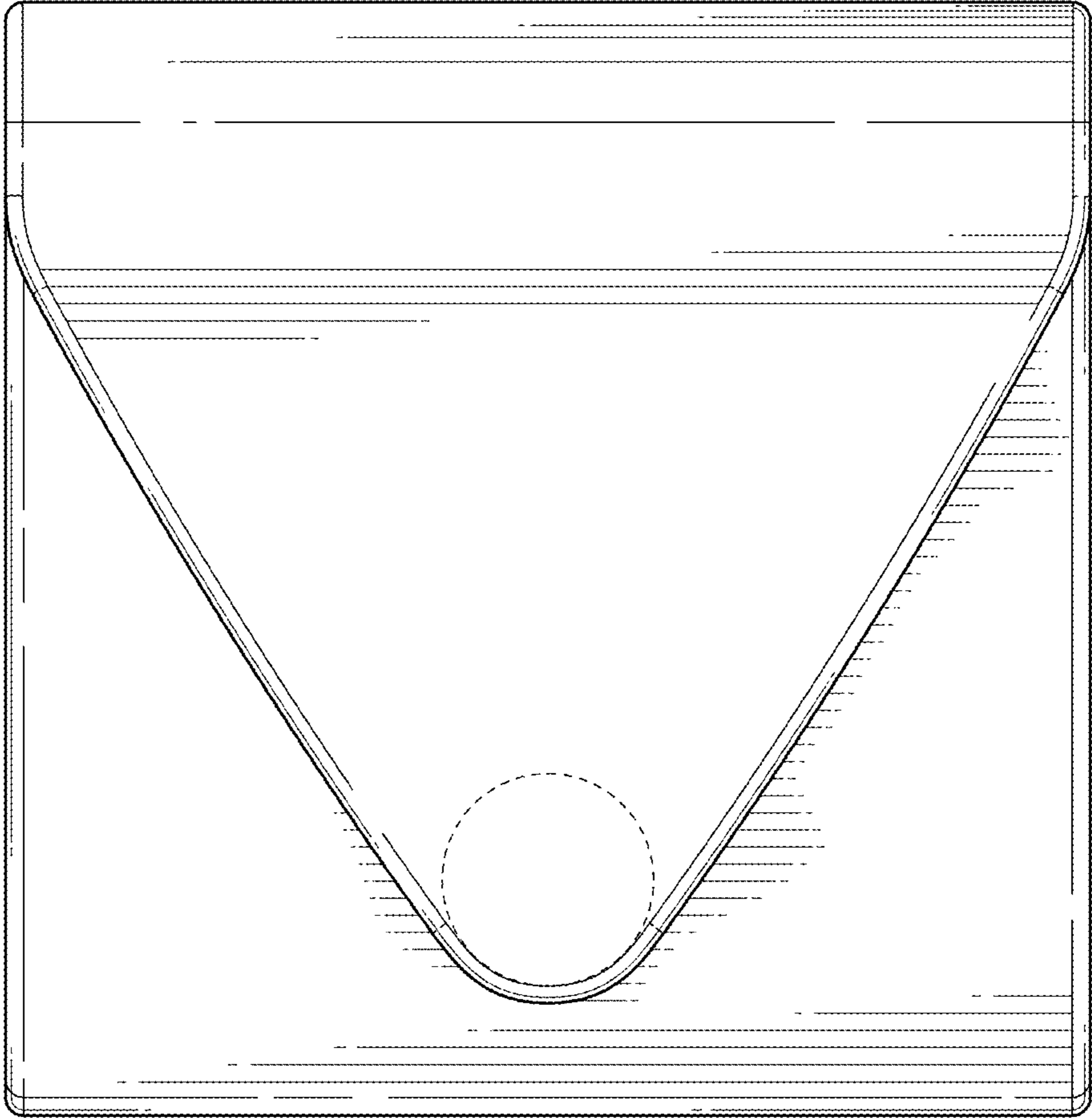


FIG. 2

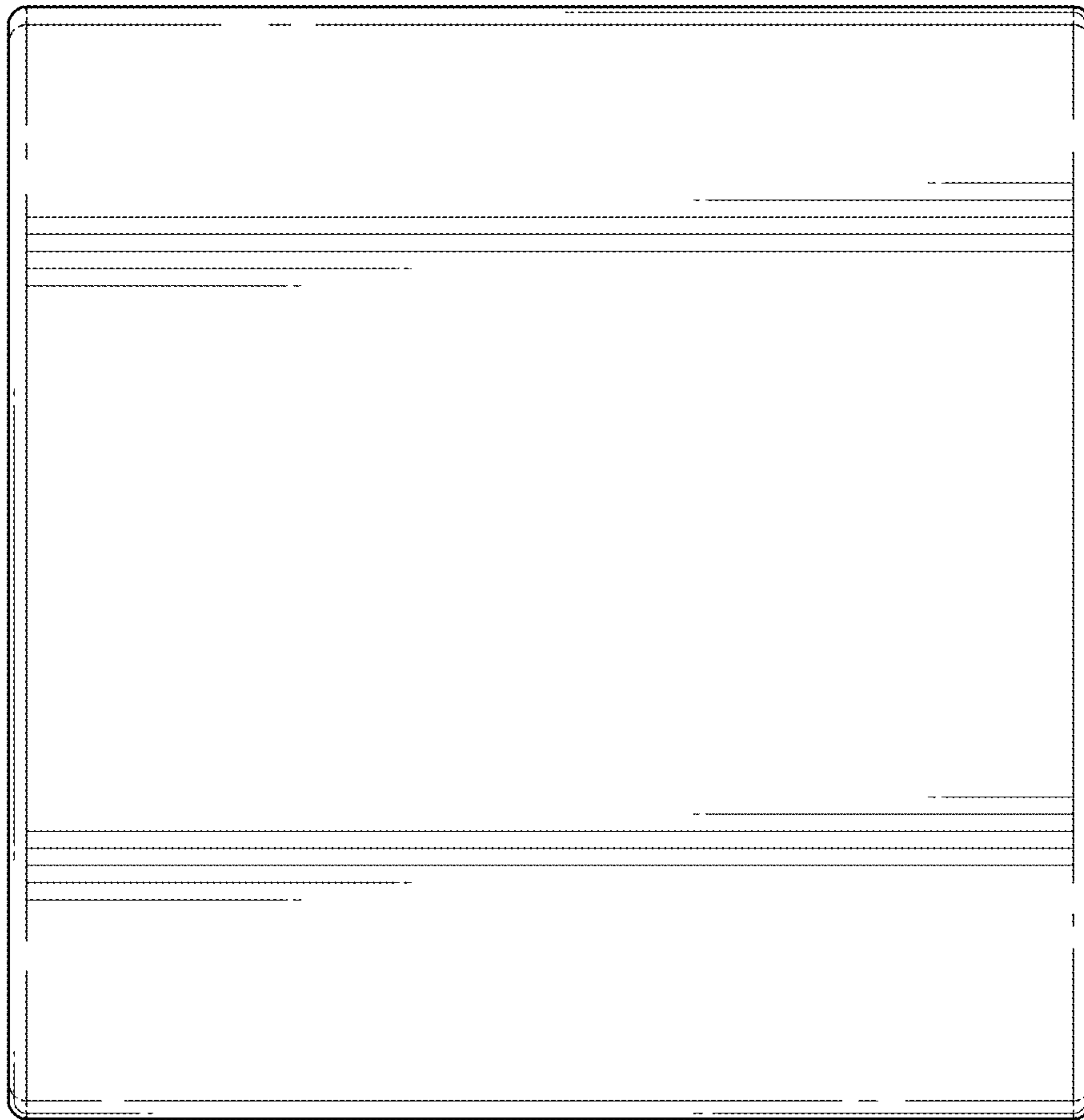


FIG. 3

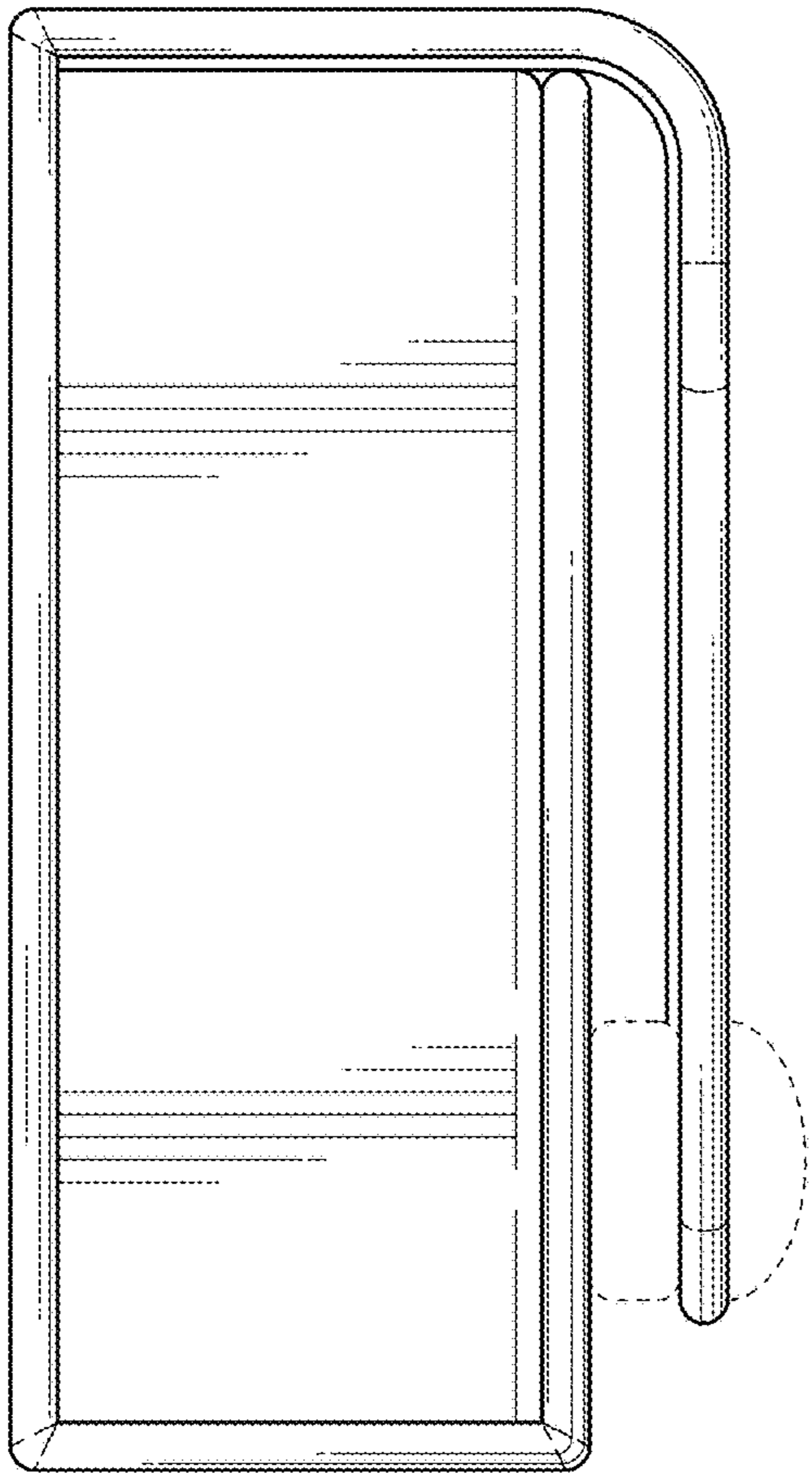


FIG. 4

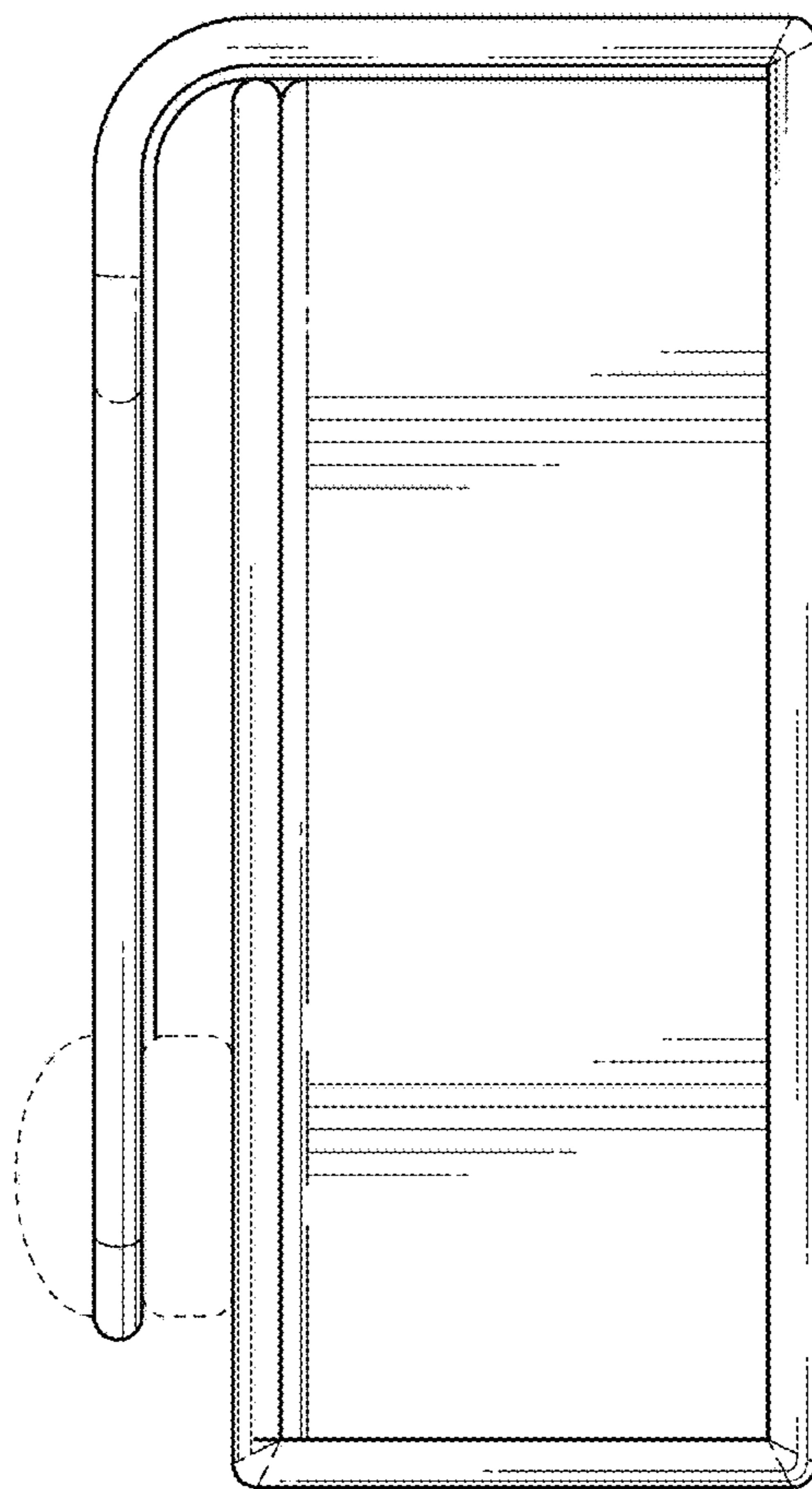


FIG. 5

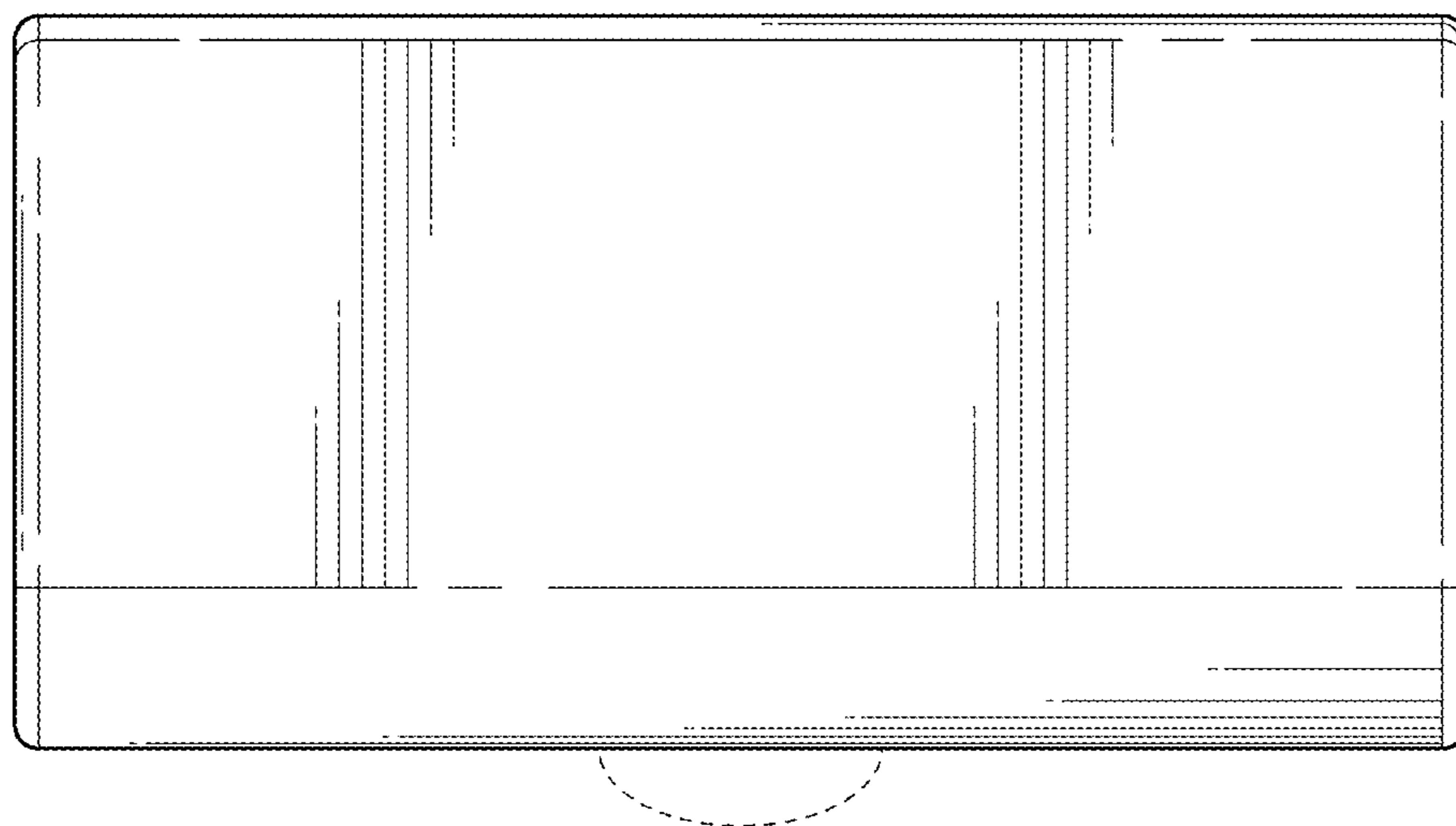


FIG. 6

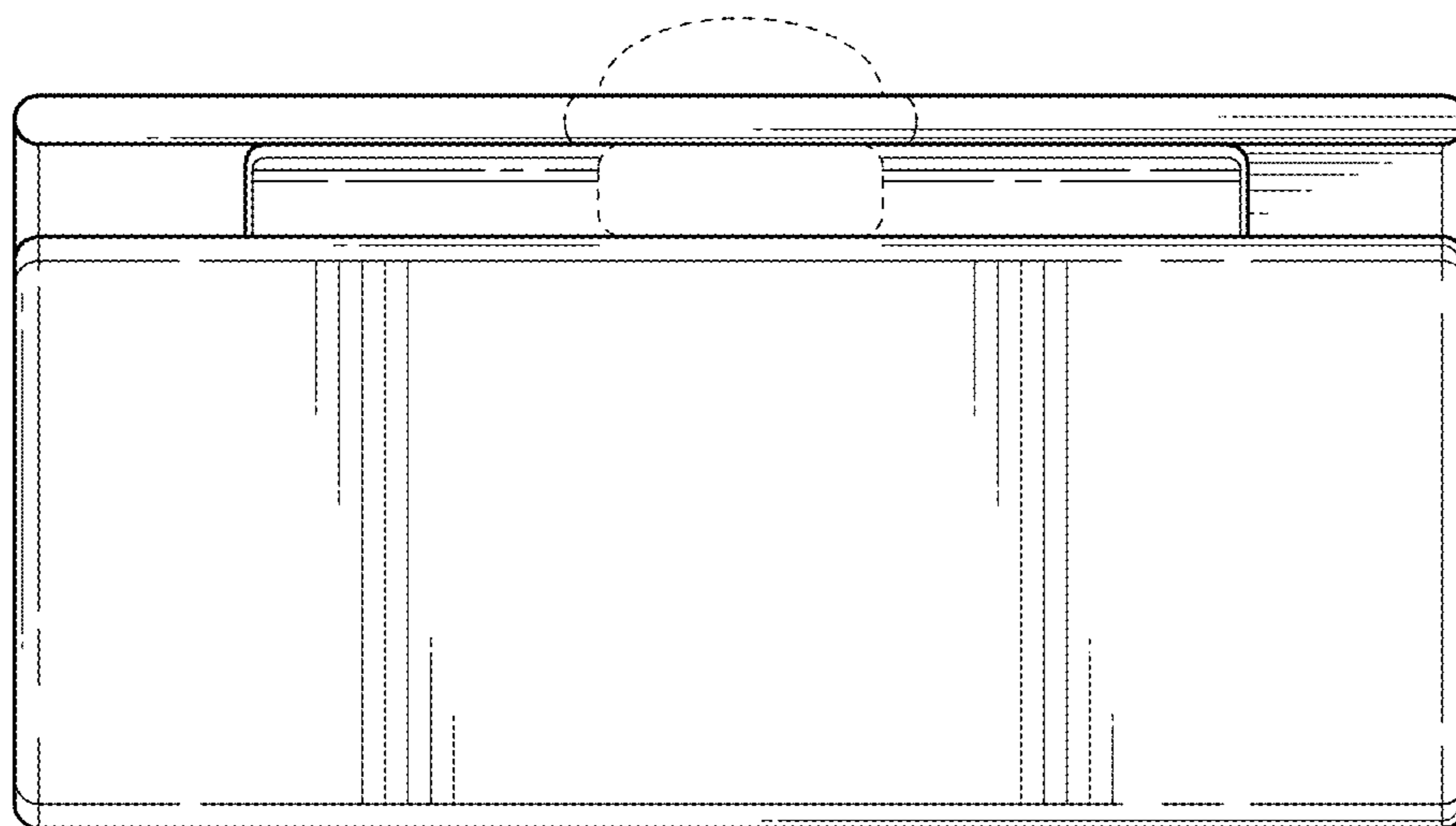


FIG. 7

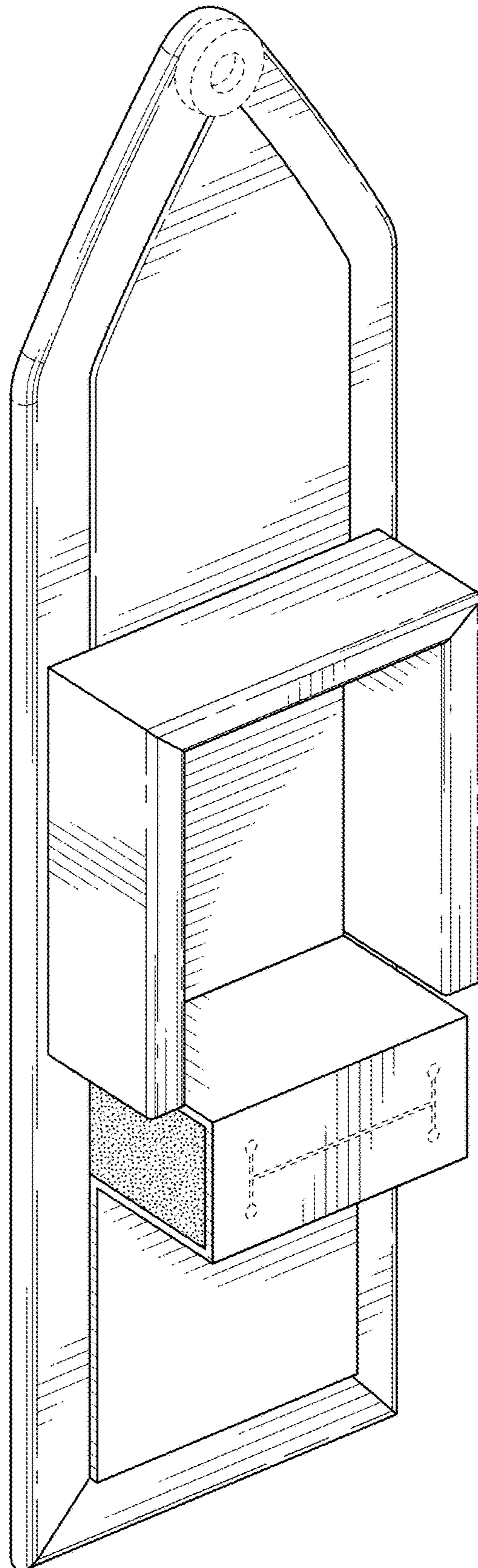


FIG. 8

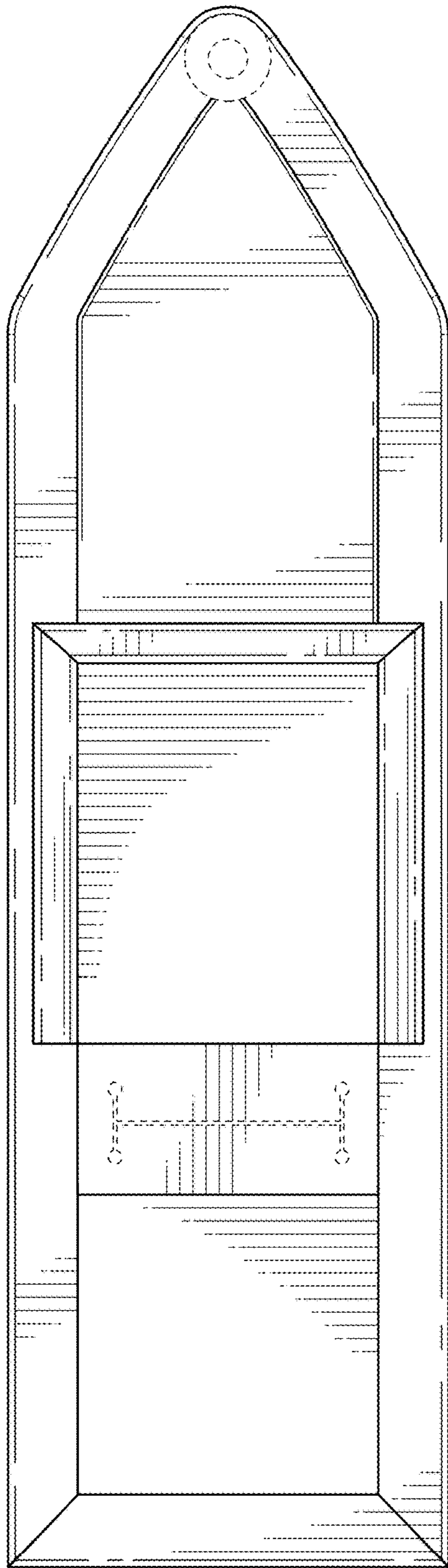


FIG. 9

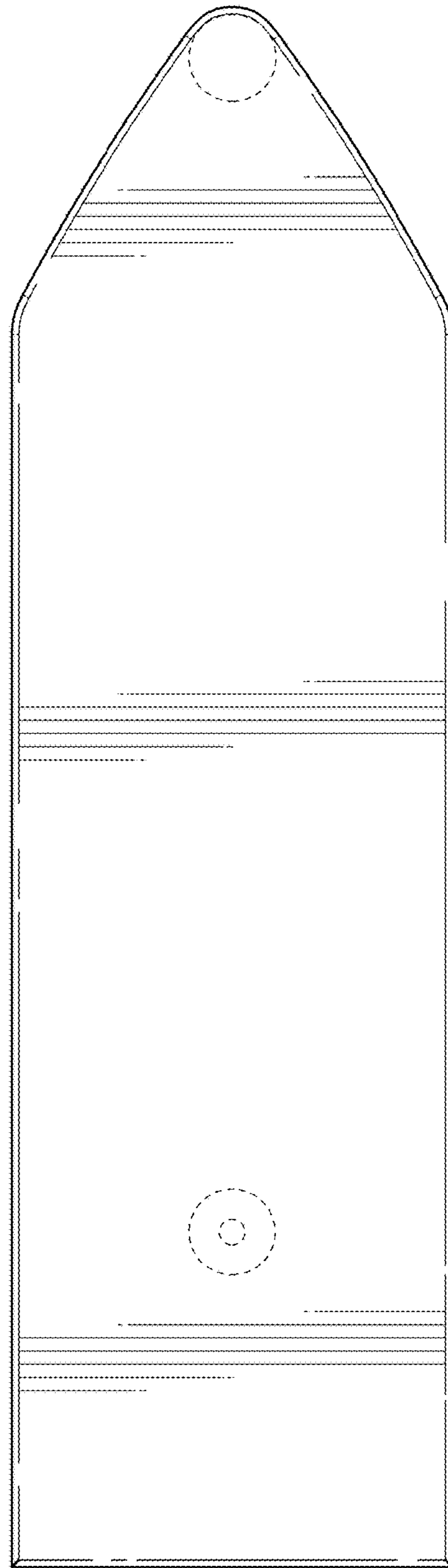


FIG. 10

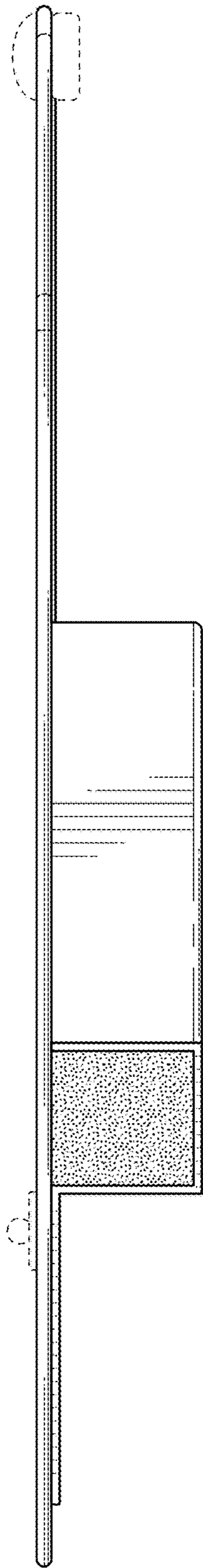


FIG. 11

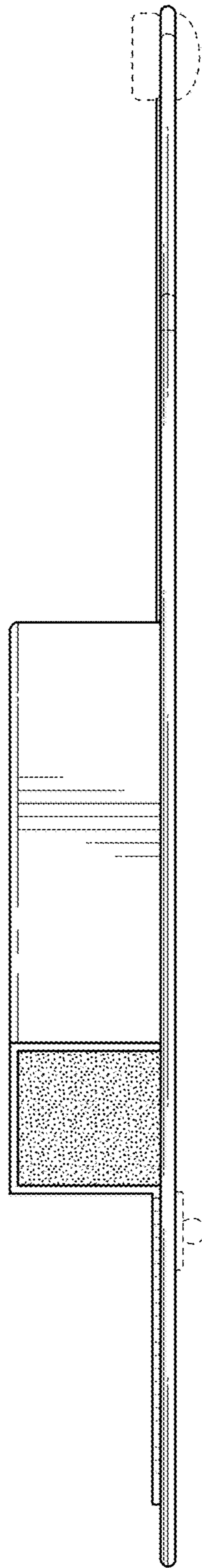


FIG. 12

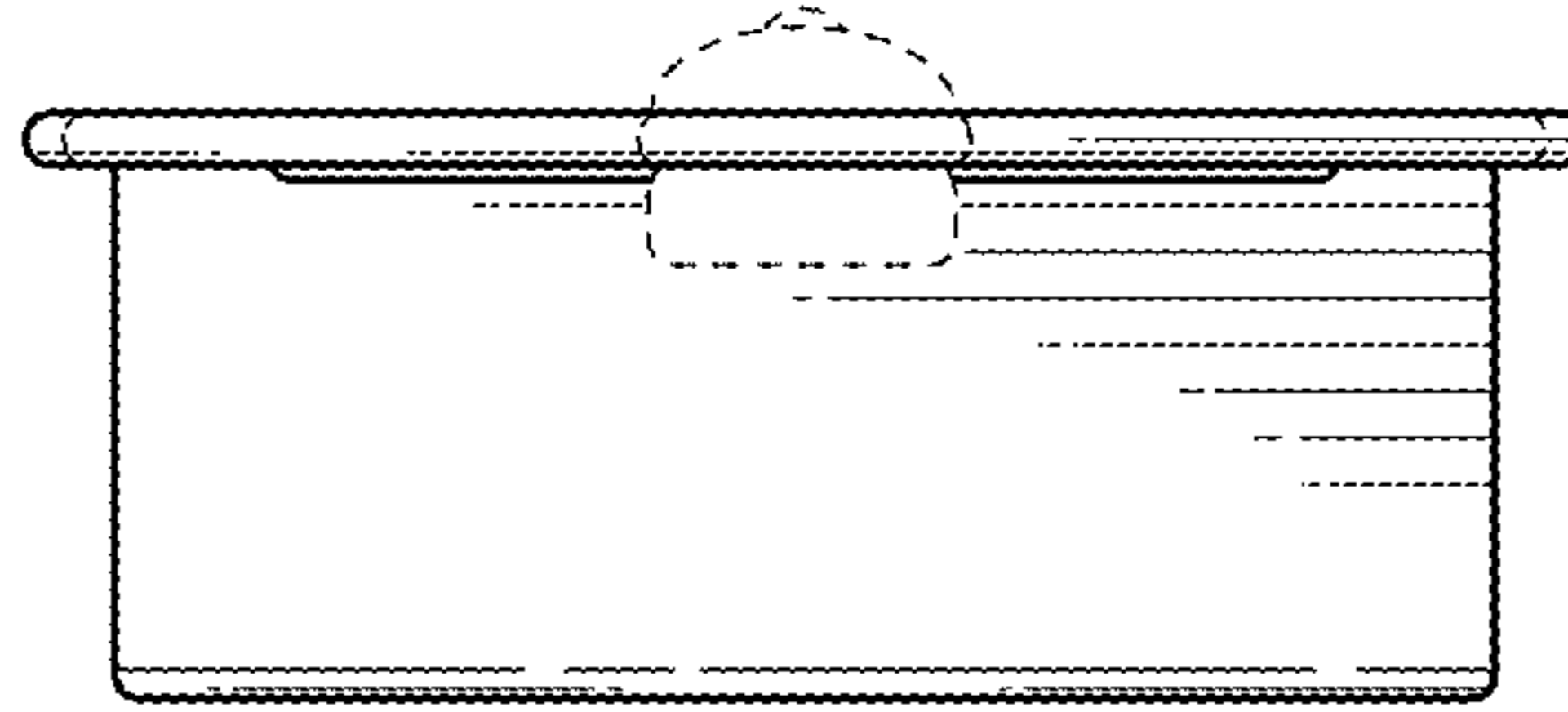


FIG. 13

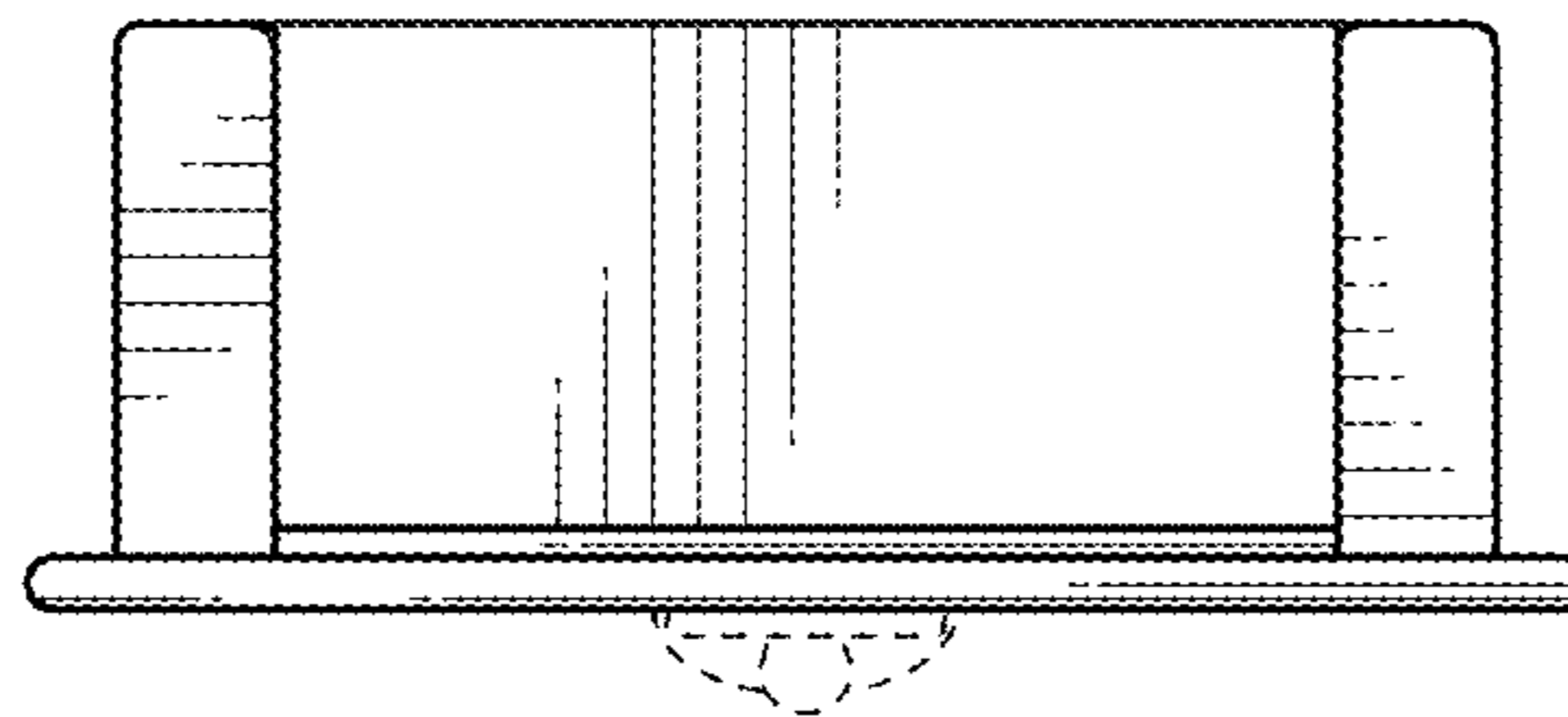


FIG. 14